



US00D468913S

(12) **United States Design Patent**
Desnos

(10) **Patent No.:** **US D468,913 S**

(45) **Date of Patent:** **** Jan. 21, 2003**

(54) **BABY SEAT**

(75) Inventor: **Albert Claude Desnos**, Vannes (FR)

(73) Assignee: **Thermobaby S.A.**, Auray (FR)

(**) Term: **14 Years**

(21) Appl. No.: **29/150,793**

(22) Filed: **Nov. 30, 2001**

(30) **Foreign Application Priority Data**

Jun. 1, 2001 (FR) 01 3261

(51) **LOC (7) Cl.** **06-01**

(52) **U.S. Cl.** **D6/333**

(58) **Field of Search** D6/333, 334, 335,
D6/338, 339, 344, 500-502; D12/130; D21/412;
297/250.1

(56) **References Cited**

U.S. PATENT DOCUMENTS

D355,939 S	*	2/1995	Meeker et al.	D21/412
D369,685 S	*	5/1996	Meeker et al.	D21/412
D391,309 S	*	2/1998	Meeker et al.	D6/344
D391,407 S	*	3/1998	Rossman et al.	D6/344
D395,467 S	*	6/1998	Bellows	D21/412
D402,931 S	*	12/1998	Huang	D12/130
D427,116 S	*	6/2000	Keegan et al.	D12/130
D439,207 S	*	3/2001	Liu	D12/130

* cited by examiner

Primary Examiner—Doris V. Coles

Assistant Examiner—Mimosa De

(74) *Attorney, Agent, or Firm*—Greenblum & Bernstein, P.L.C.

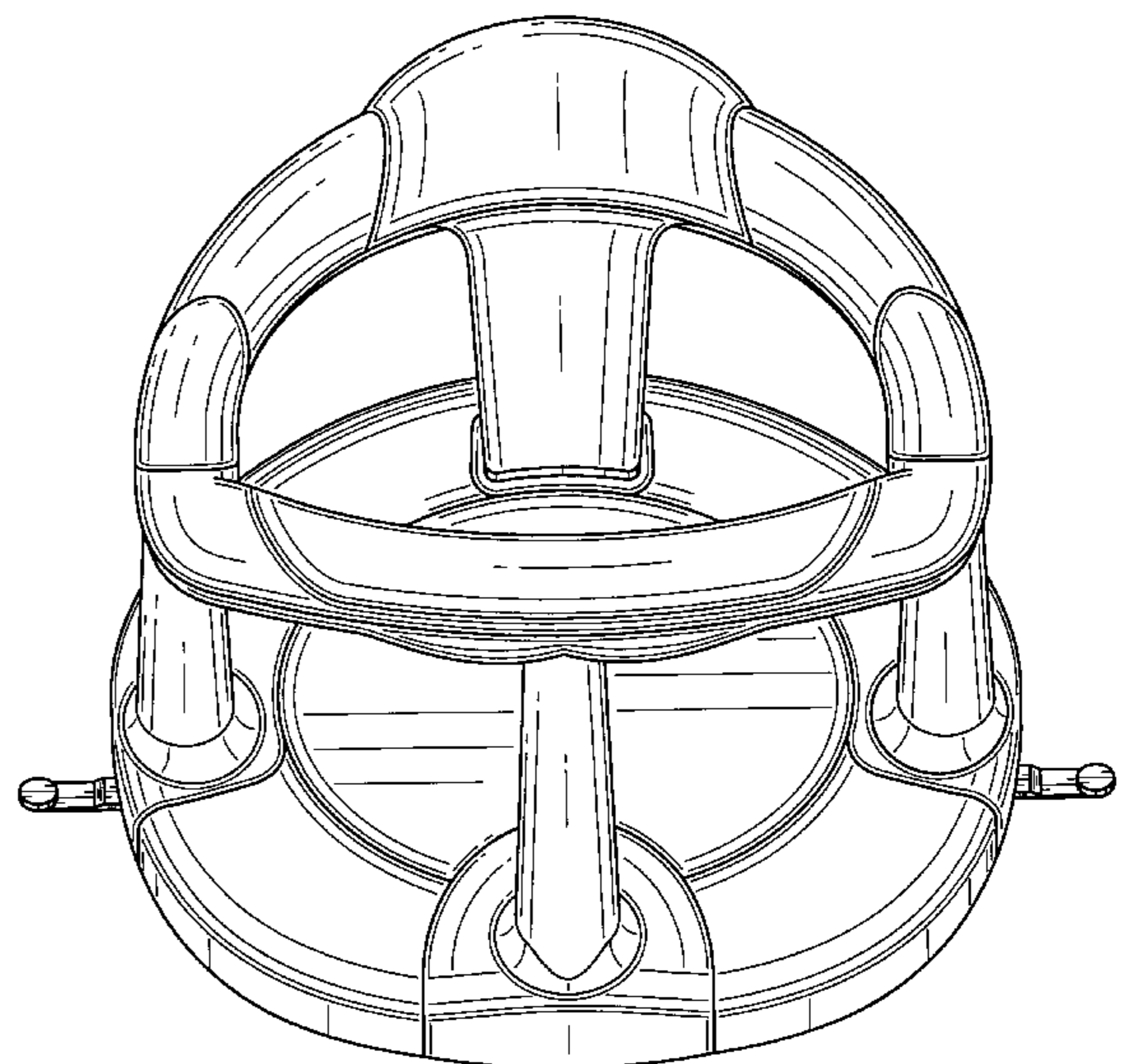
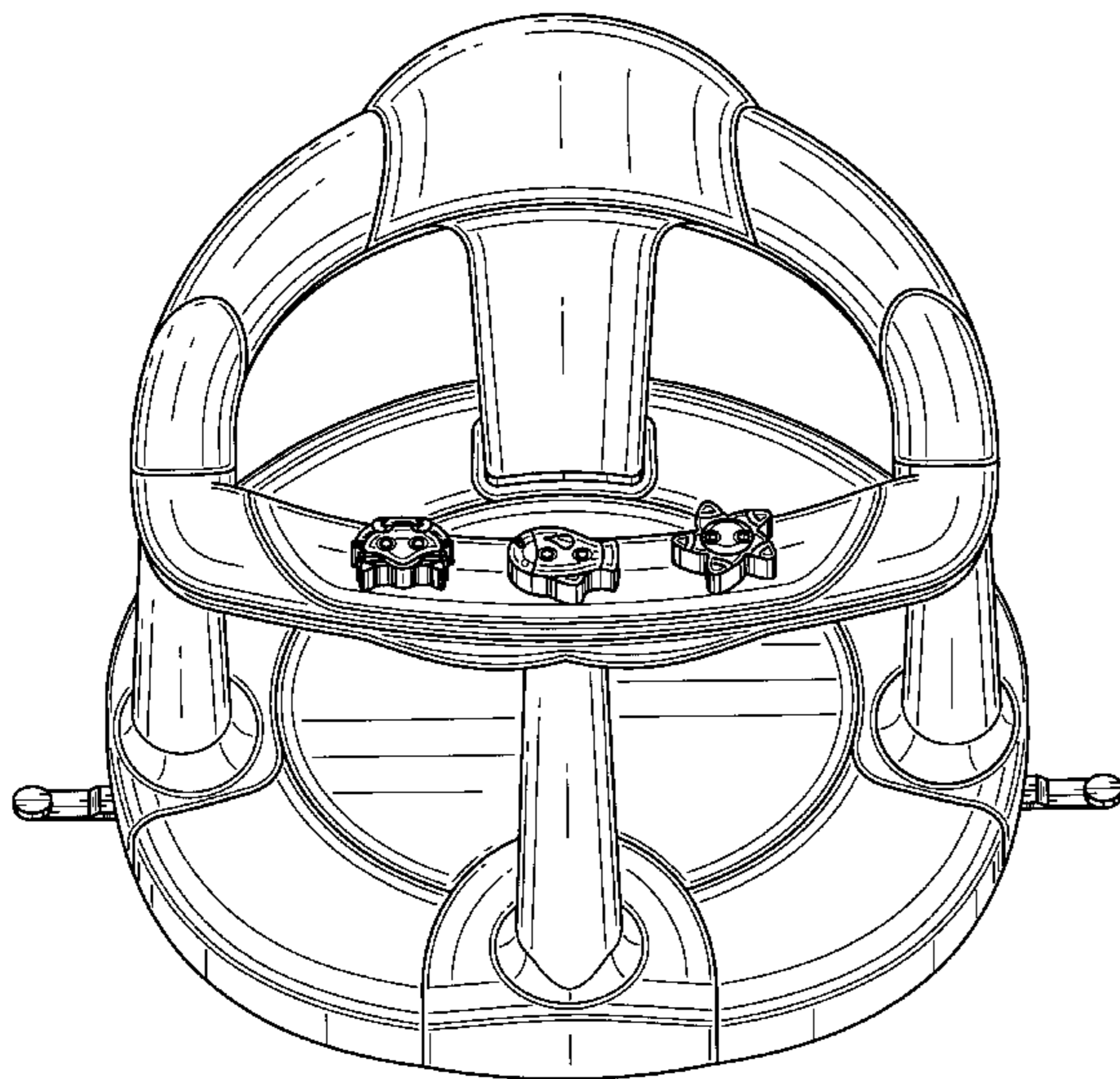
(57) **CLAIM**

The ornamental design for a baby seat, as shown and described.

DESCRIPTION

FIG. 1 is a front side view, showing a first embodiment of my new design;
 FIG. 2 is a rear elevational view thereof;
 FIG. 3 is a right elevational view thereof;
 FIG. 4 is a top view thereof;
 FIG. 5 is a bottom view thereof;
 FIG. 6 is a front top perspective view thereof;
 FIG. 7 is a front bottom perspective view thereof;
 FIG. 8 is a top right side perspective view thereof;
 FIG. 9 is a top left side perspective view thereof;
 FIG. 10 is a front elevational view, showing a second embodiment of my new design;
 FIG. 11 is a rear elevational view thereof;
 FIG. 12 is a right elevational view thereof;
 FIG. 13 is a top view thereof;
 FIG. 14 is a bottom view thereof;
 FIG. 15 is a front top perspective view thereof;
 FIG. 16 is a front bottom perspective view thereof;
 FIG. 17 is a top right side perspective view thereof; and,
 FIG. 18 is a top left side perspective view thereof.

1 Claim, 18 Drawing Sheets



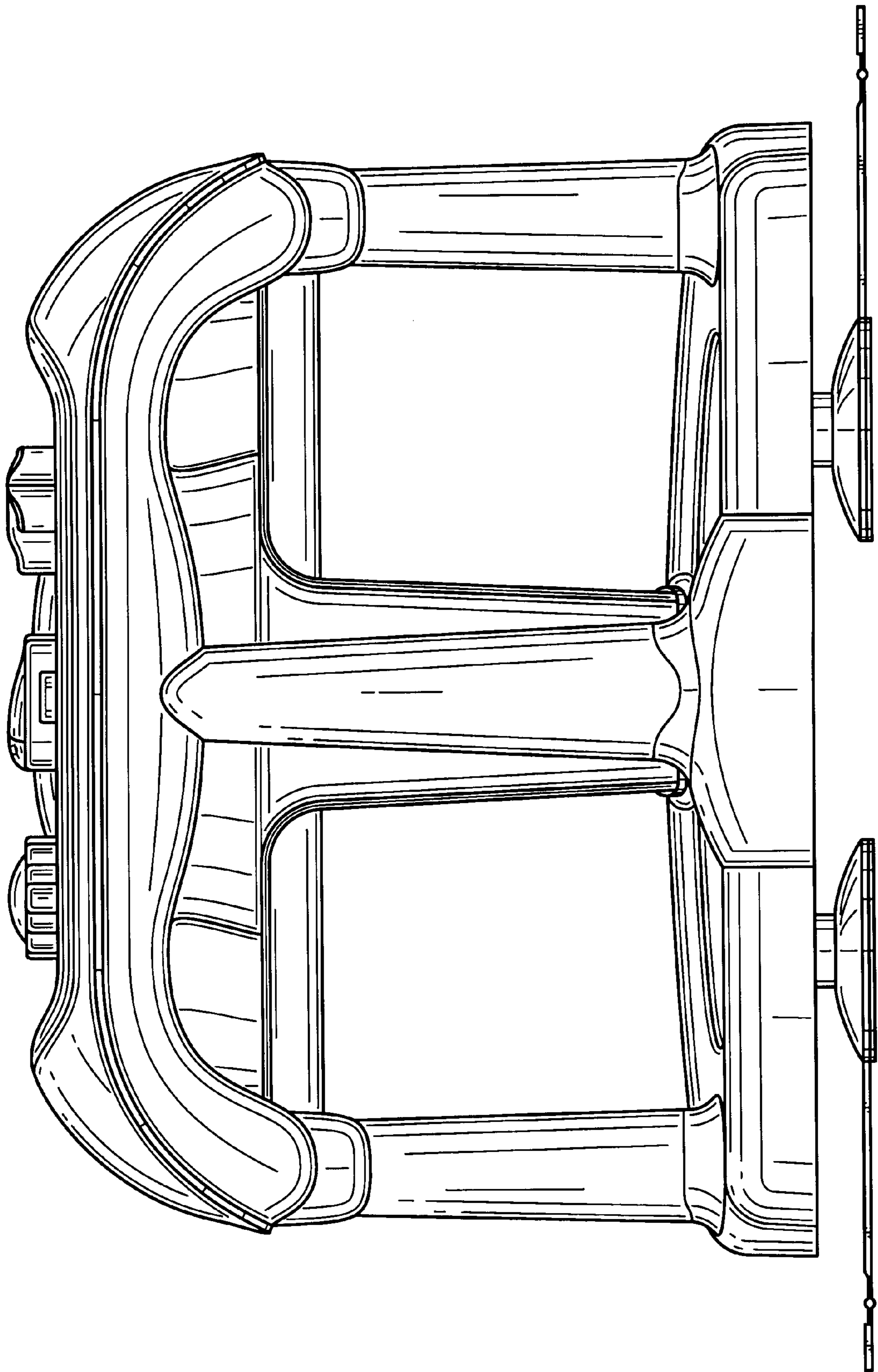


FIG. 1

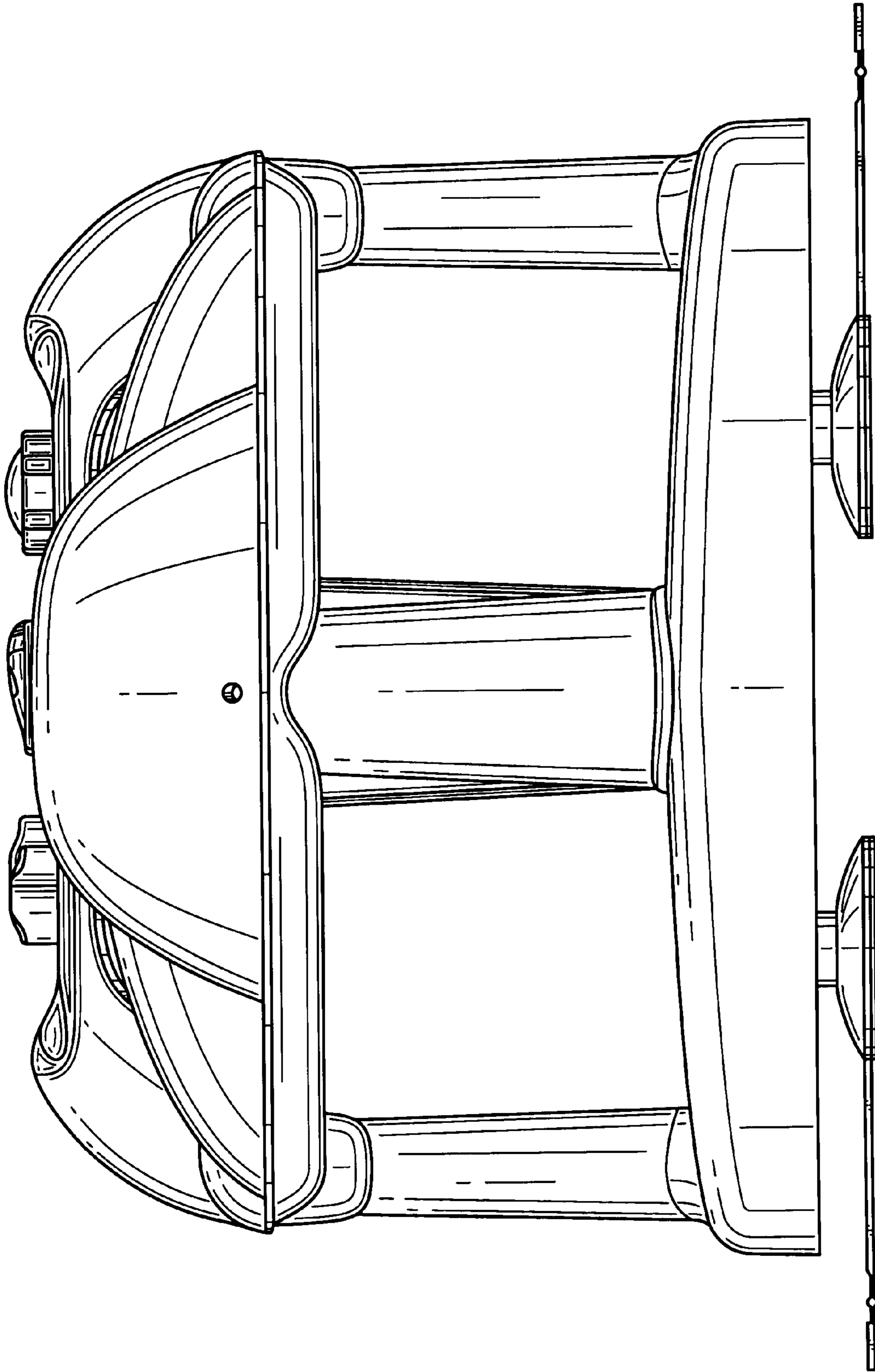


FIG. 2

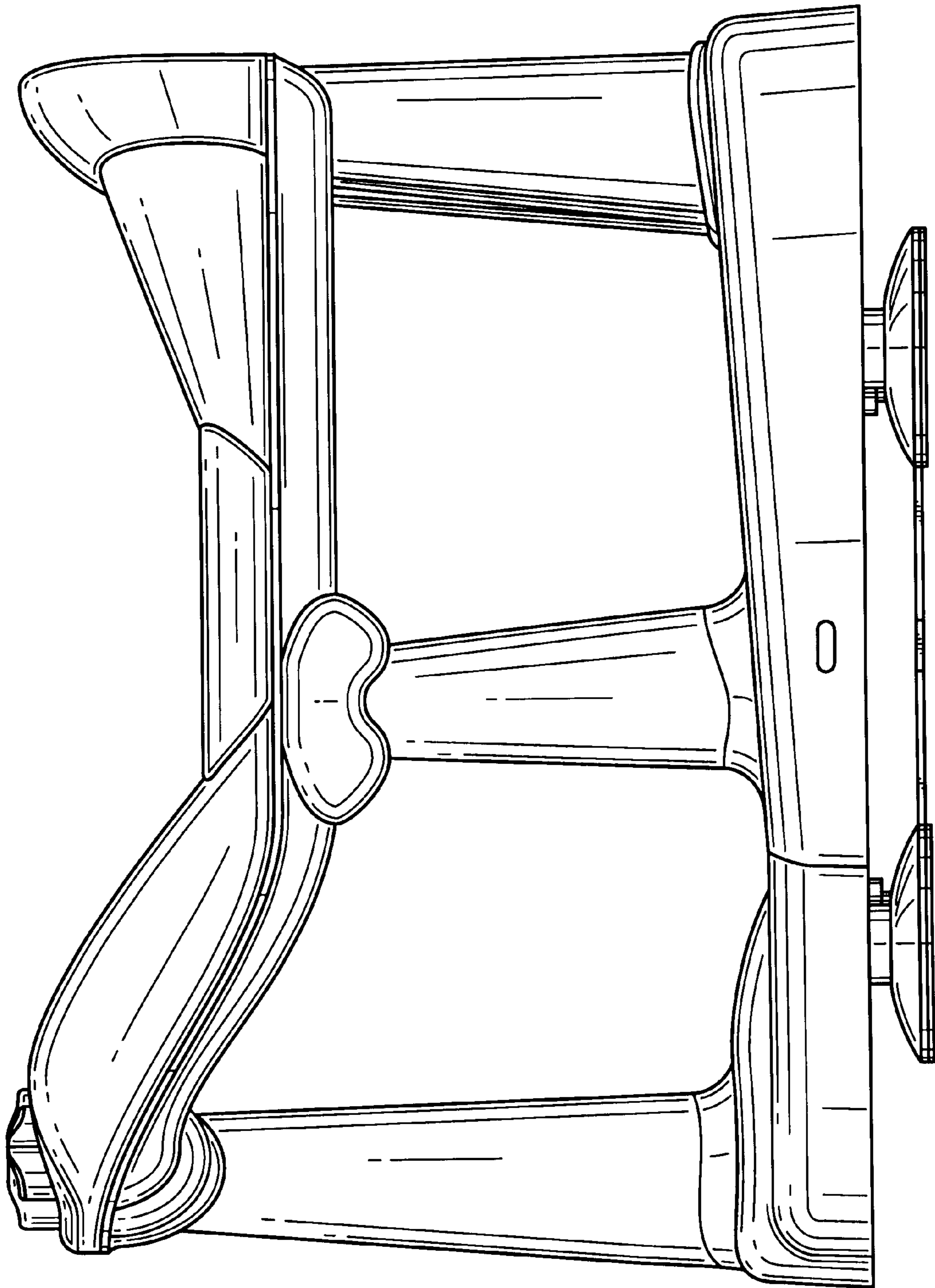


FIG. 3

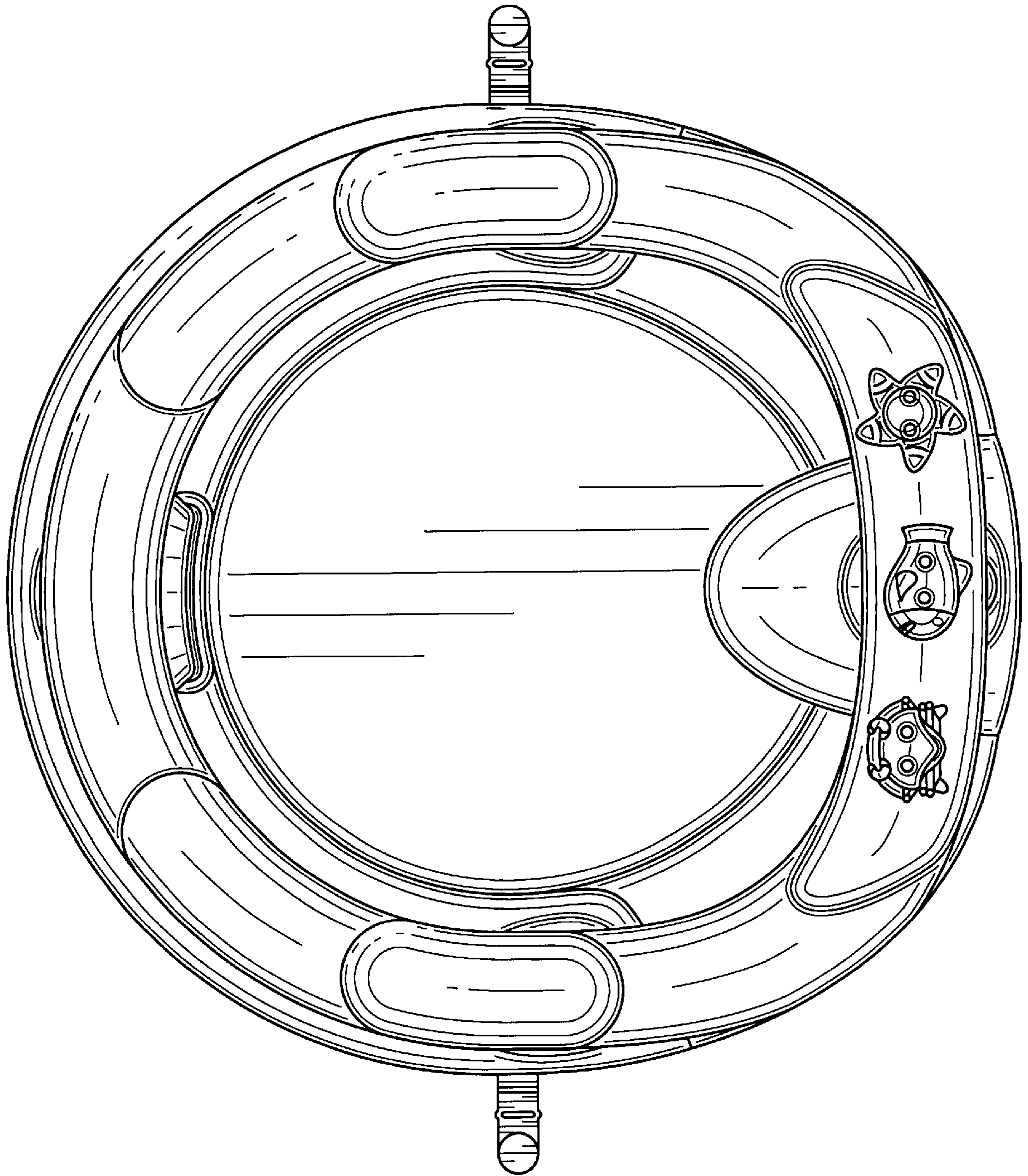


FIG. 4

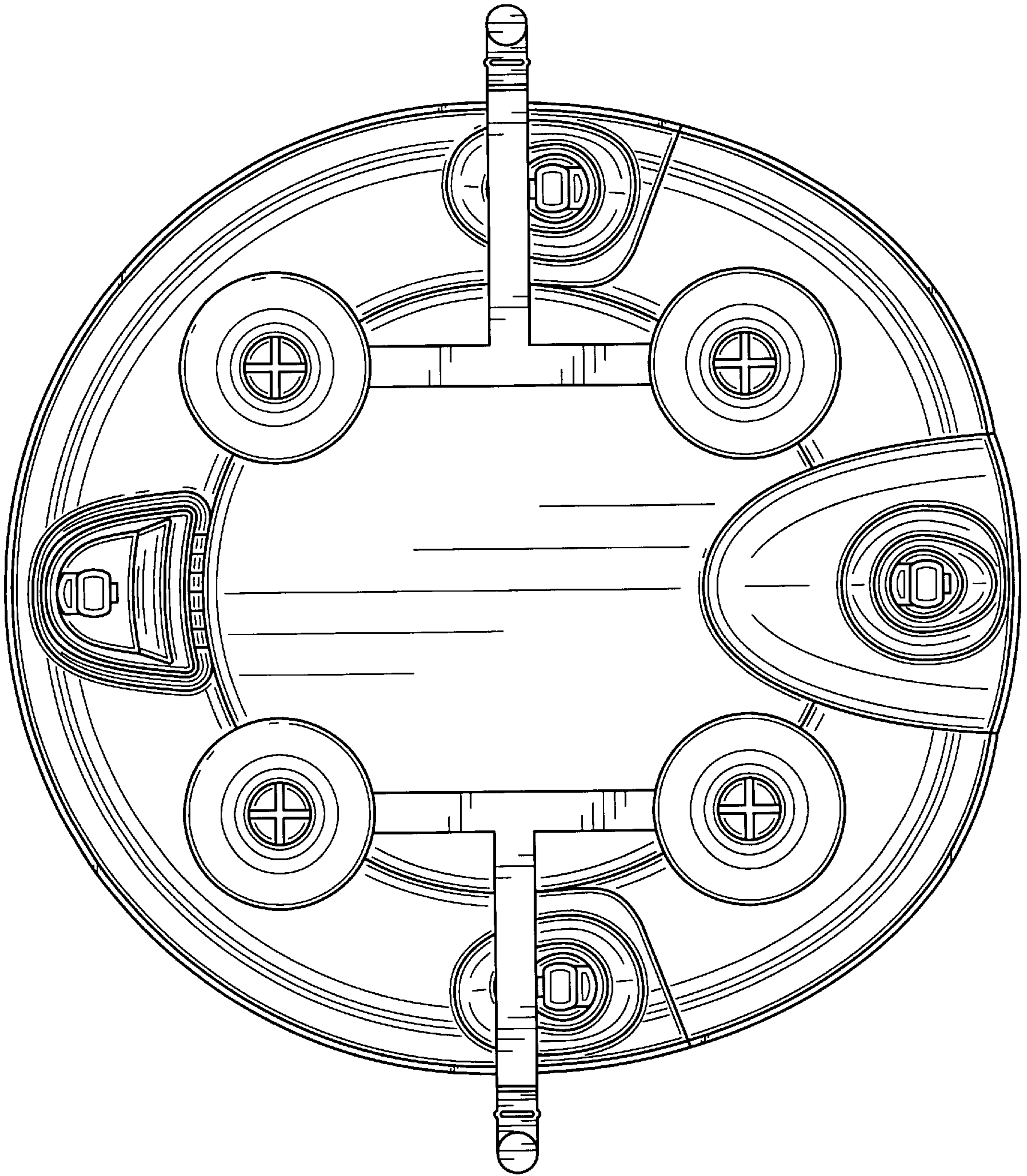


FIG. 5

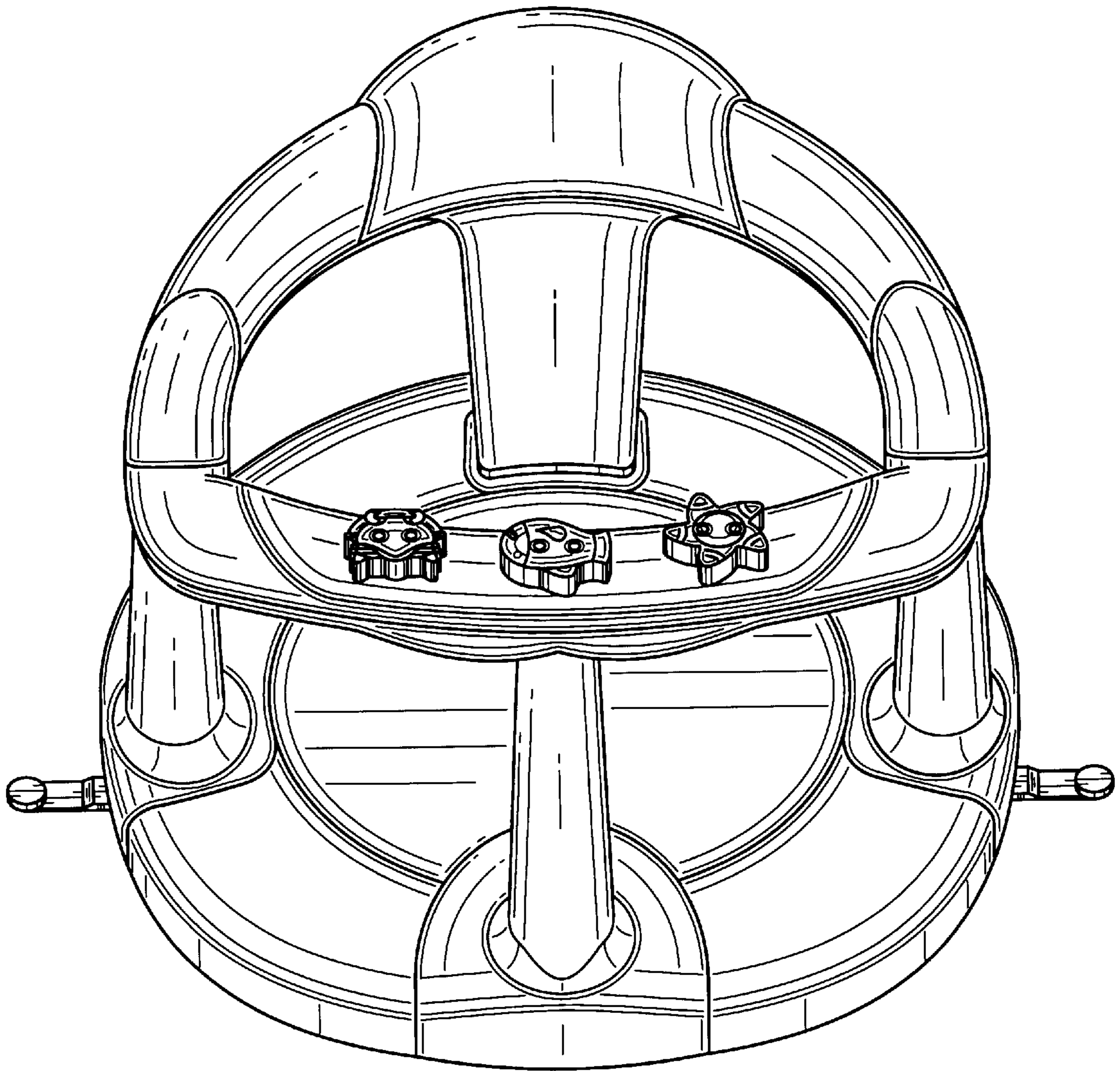


FIG. 6

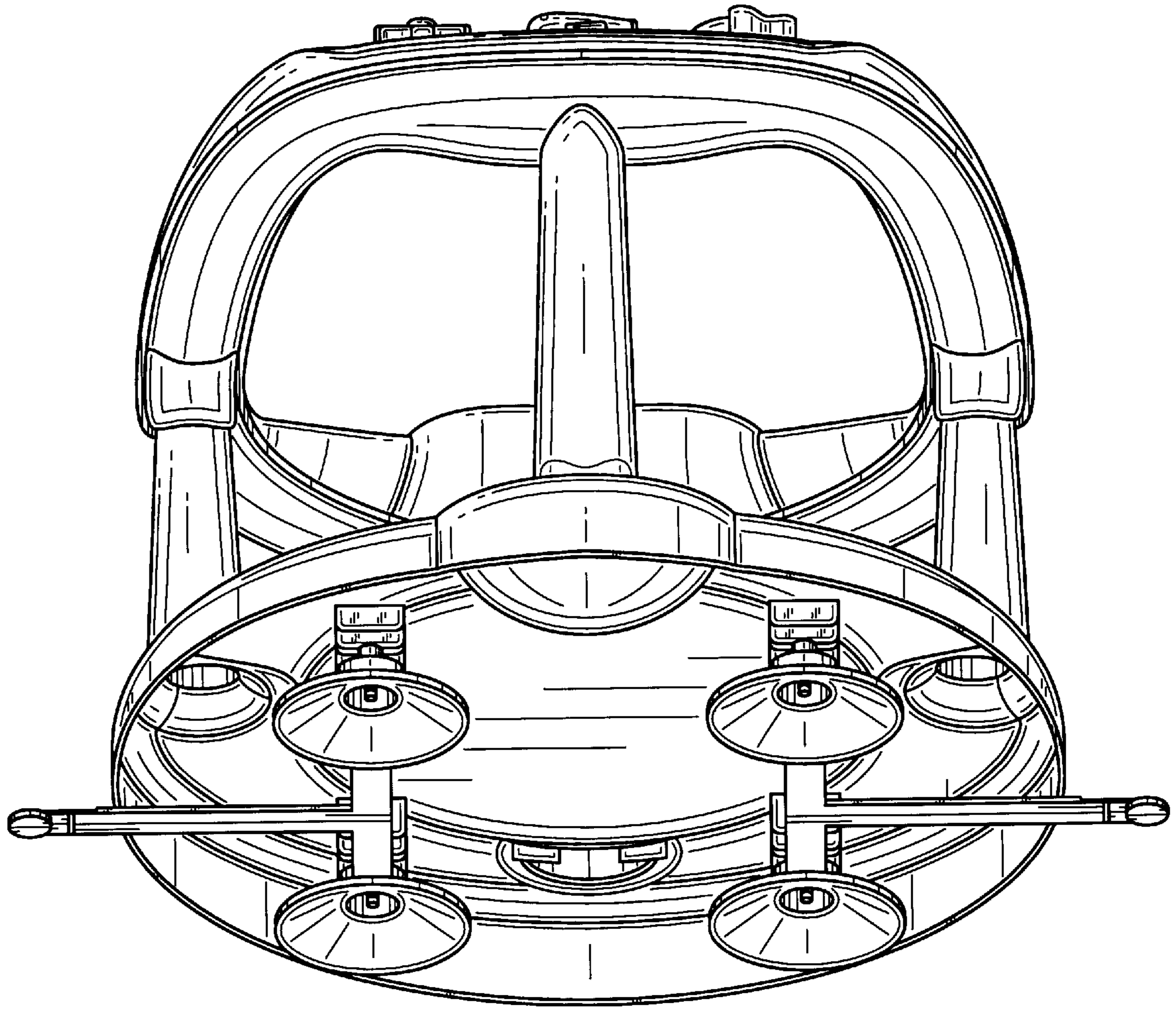


FIG. 7

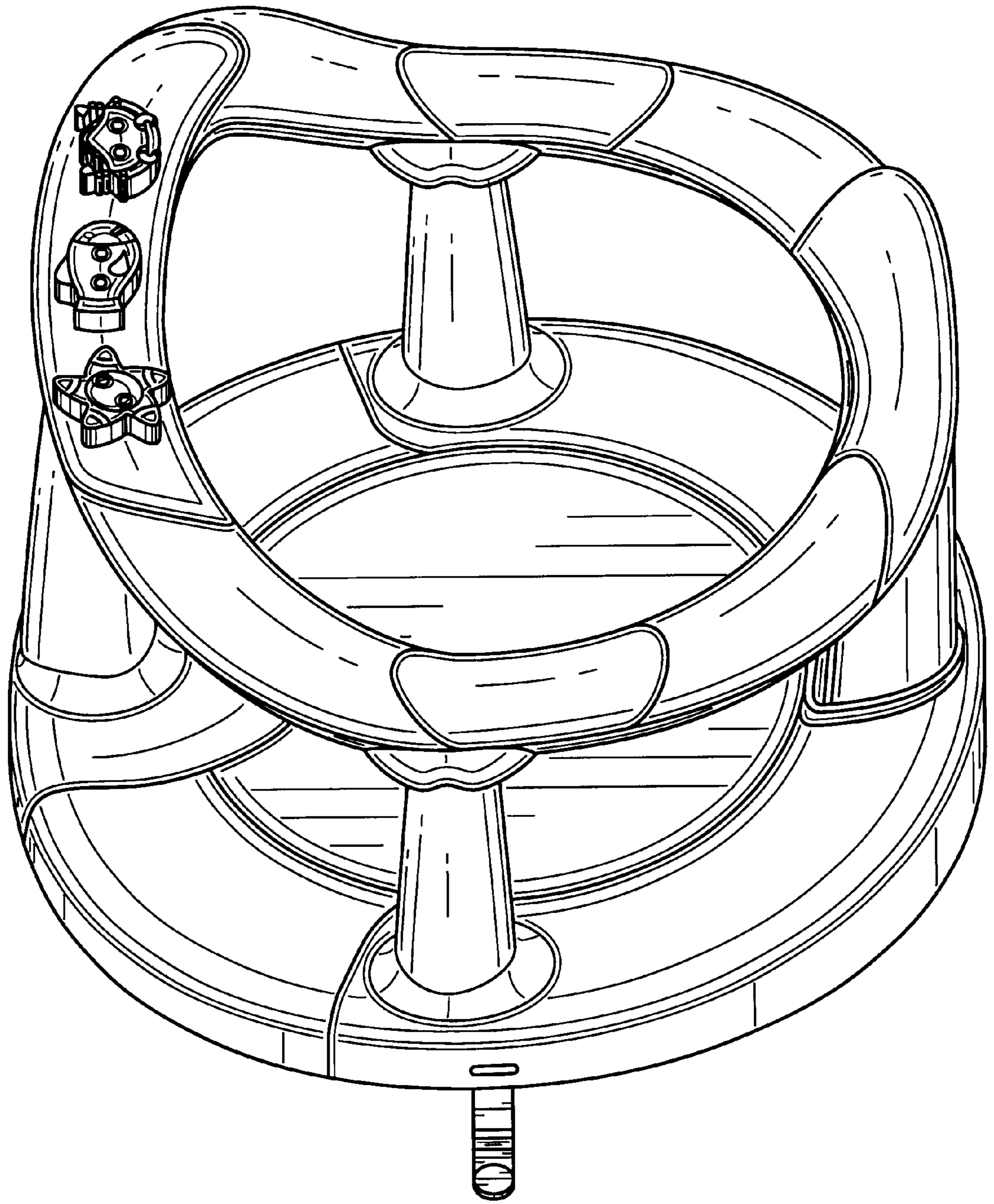


FIG. 8

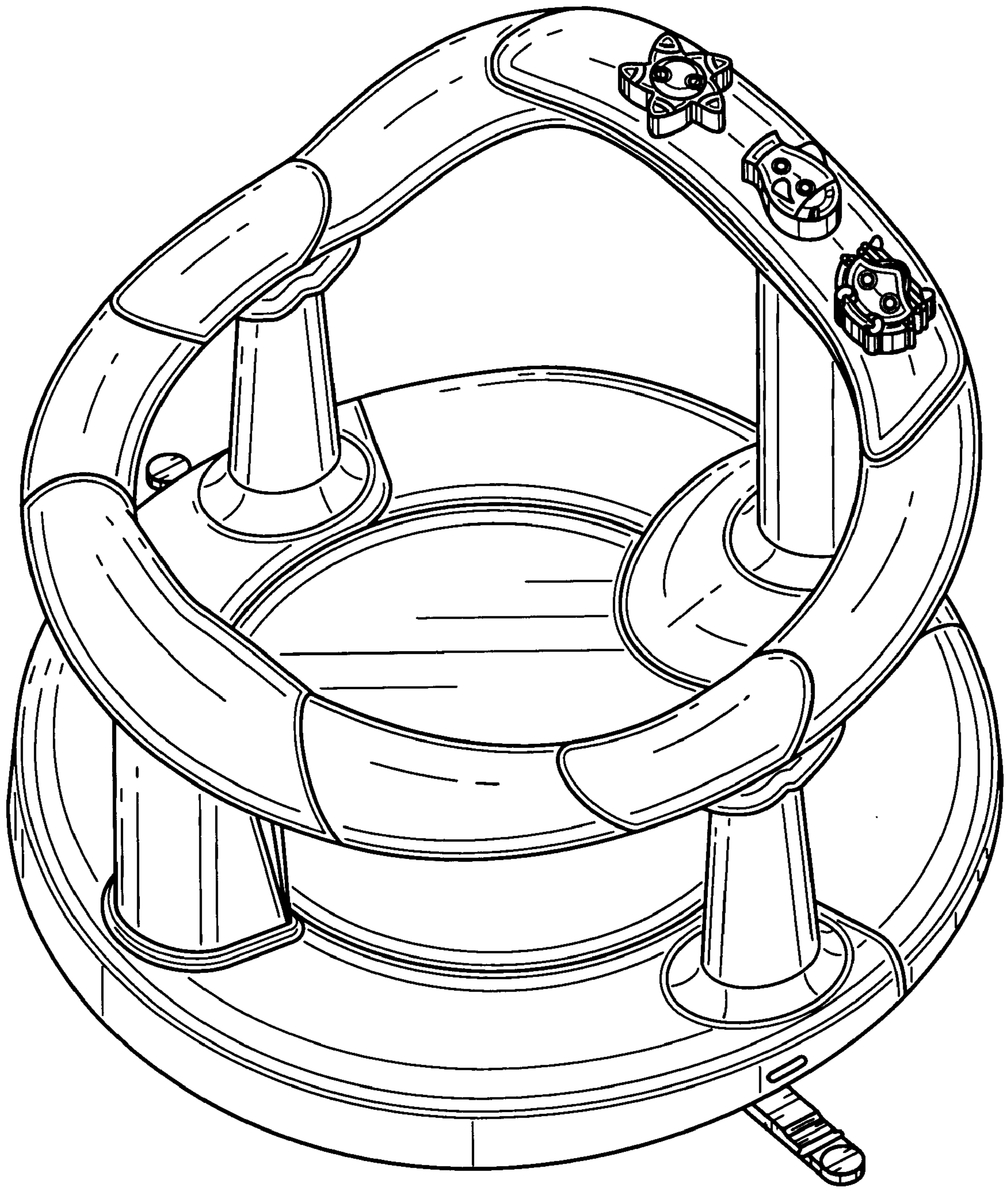


FIG. 9

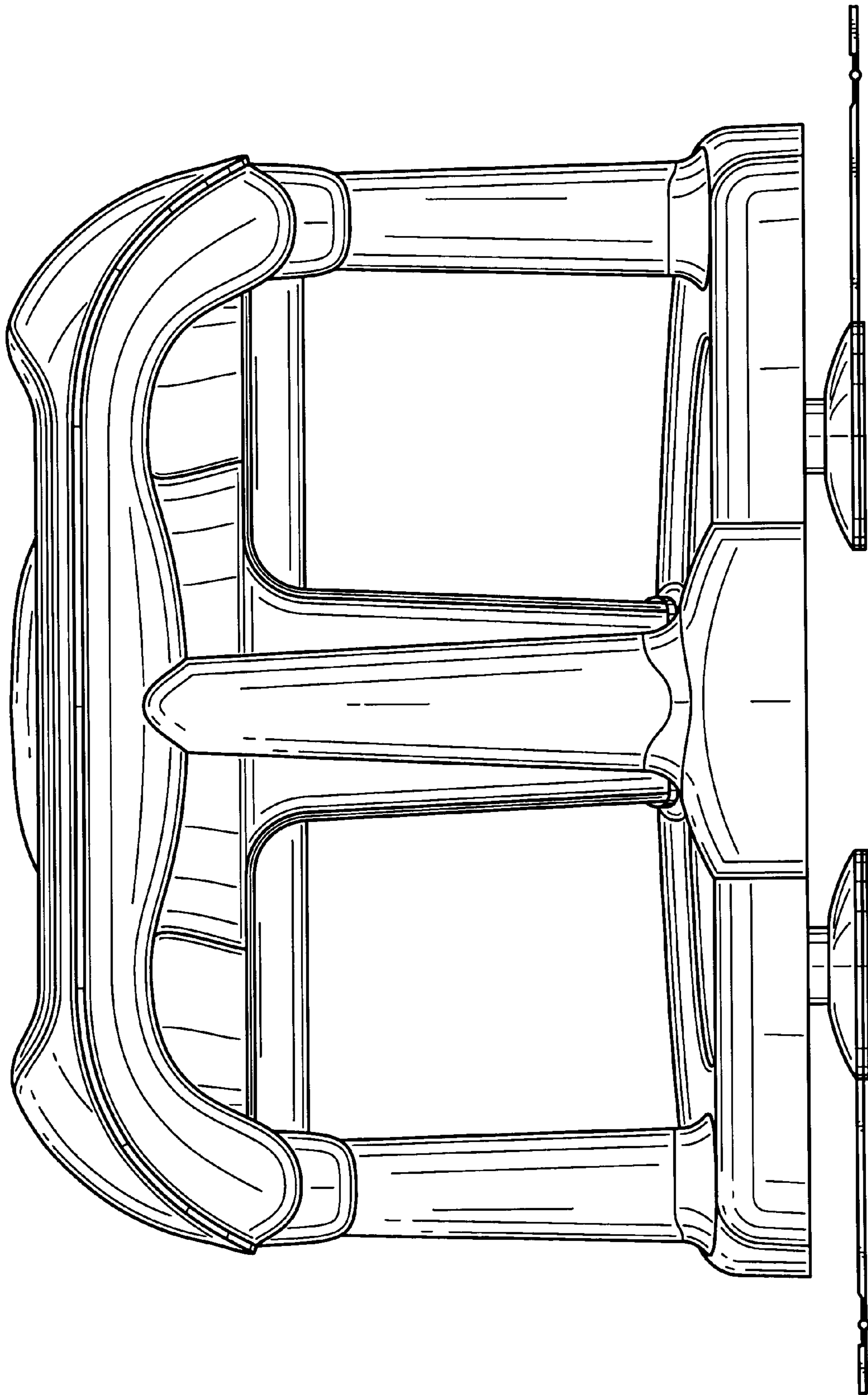


FIG. 10

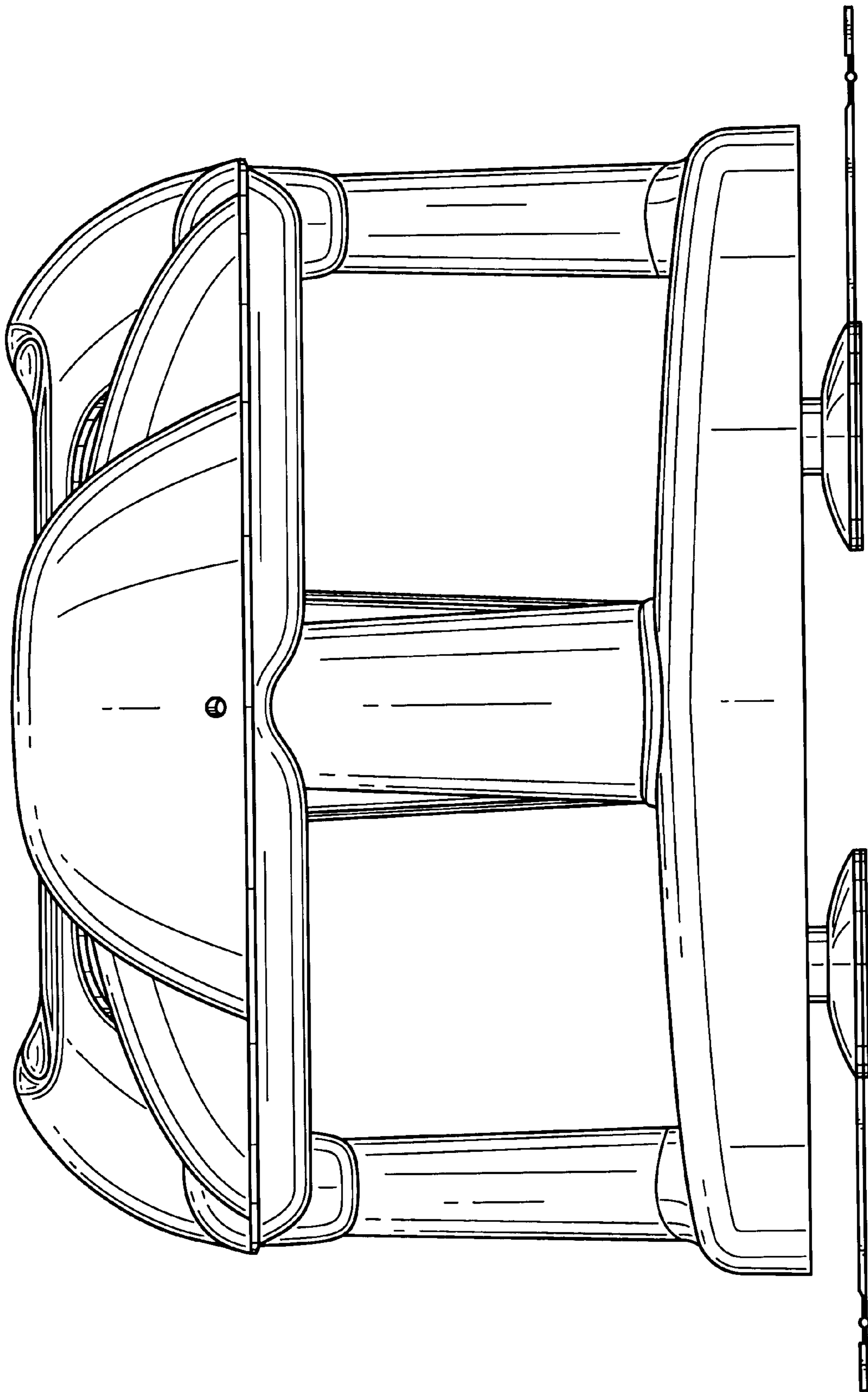


FIG. 11

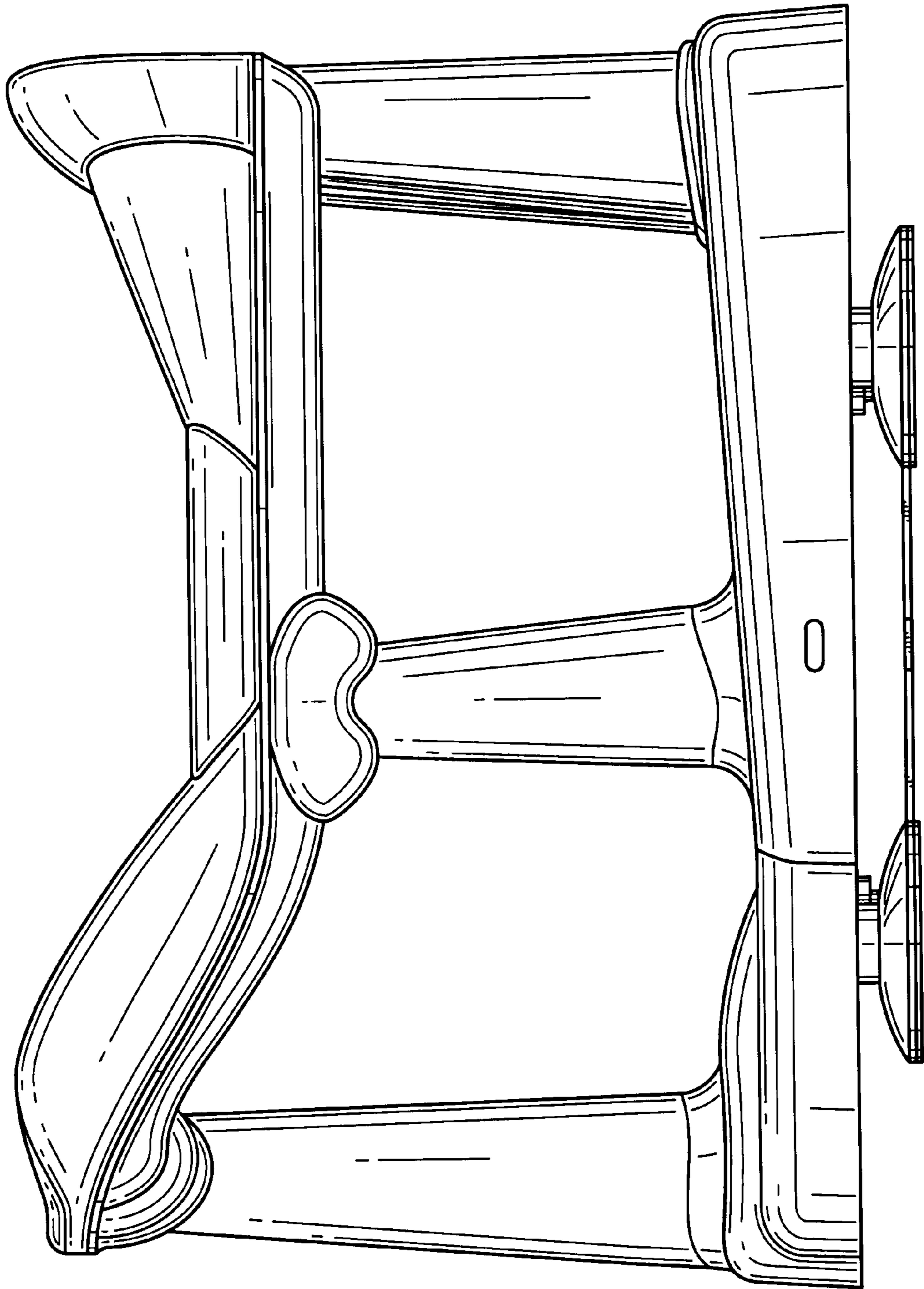


FIG. 12

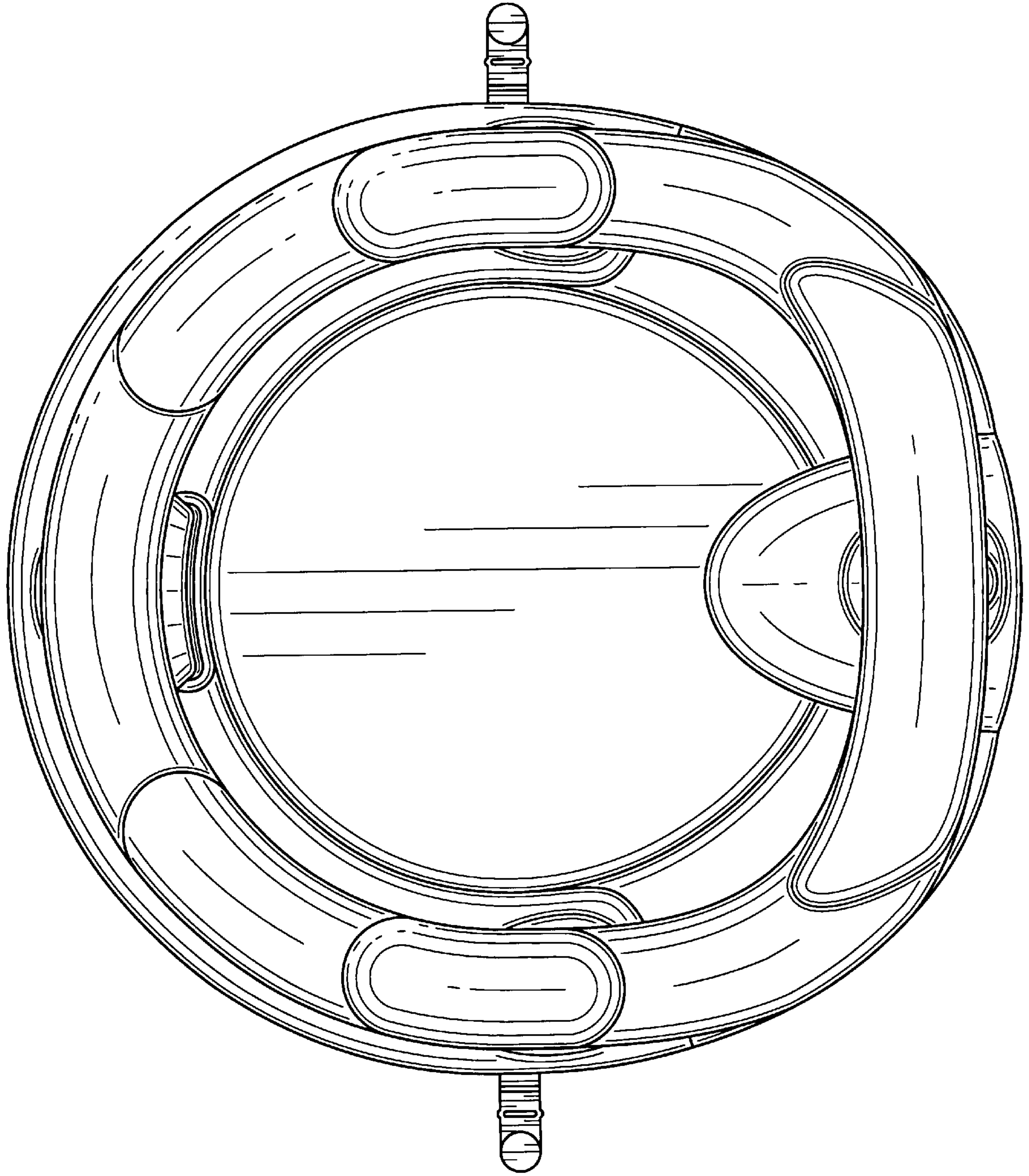


FIG. 13

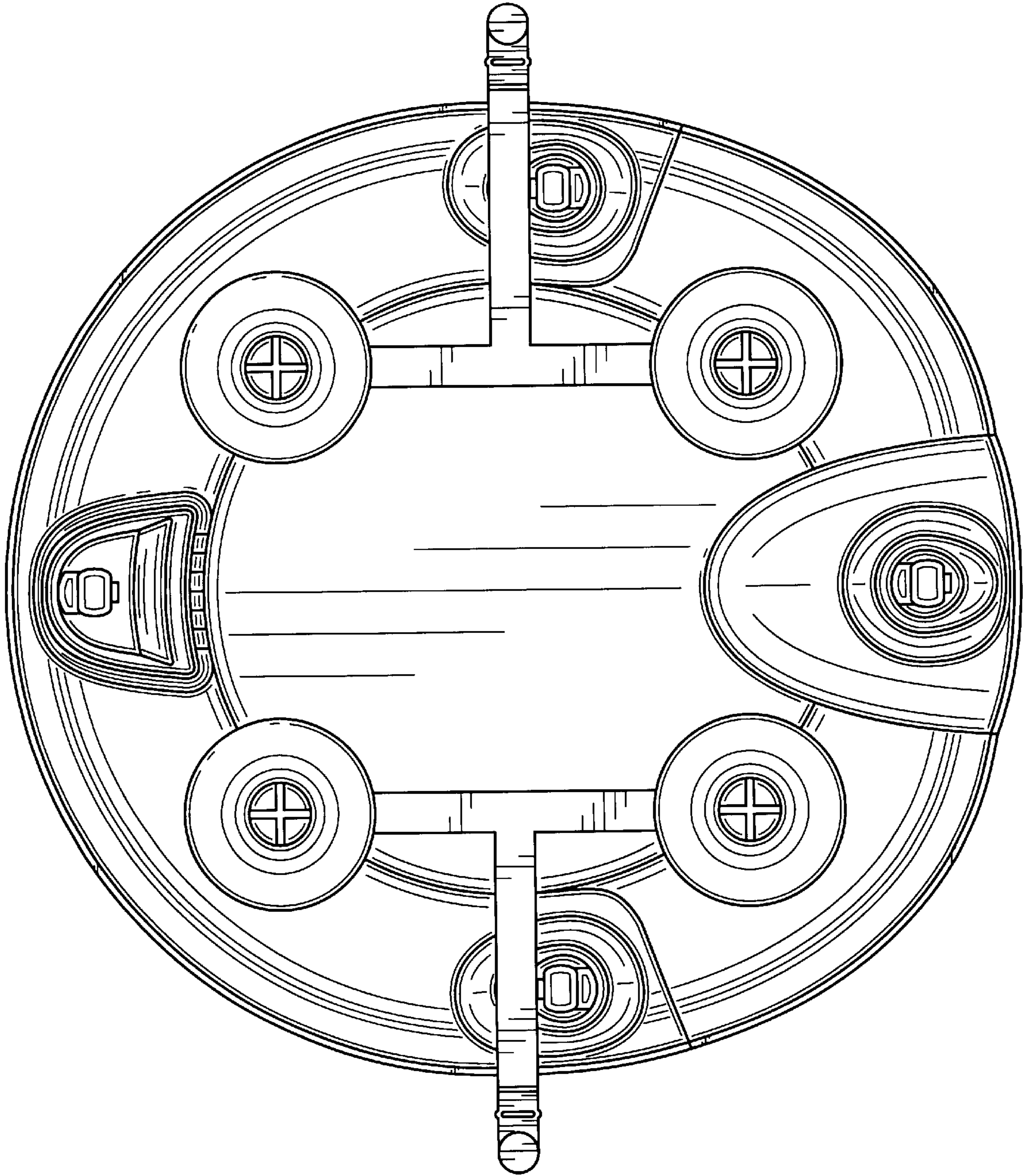


FIG. 14

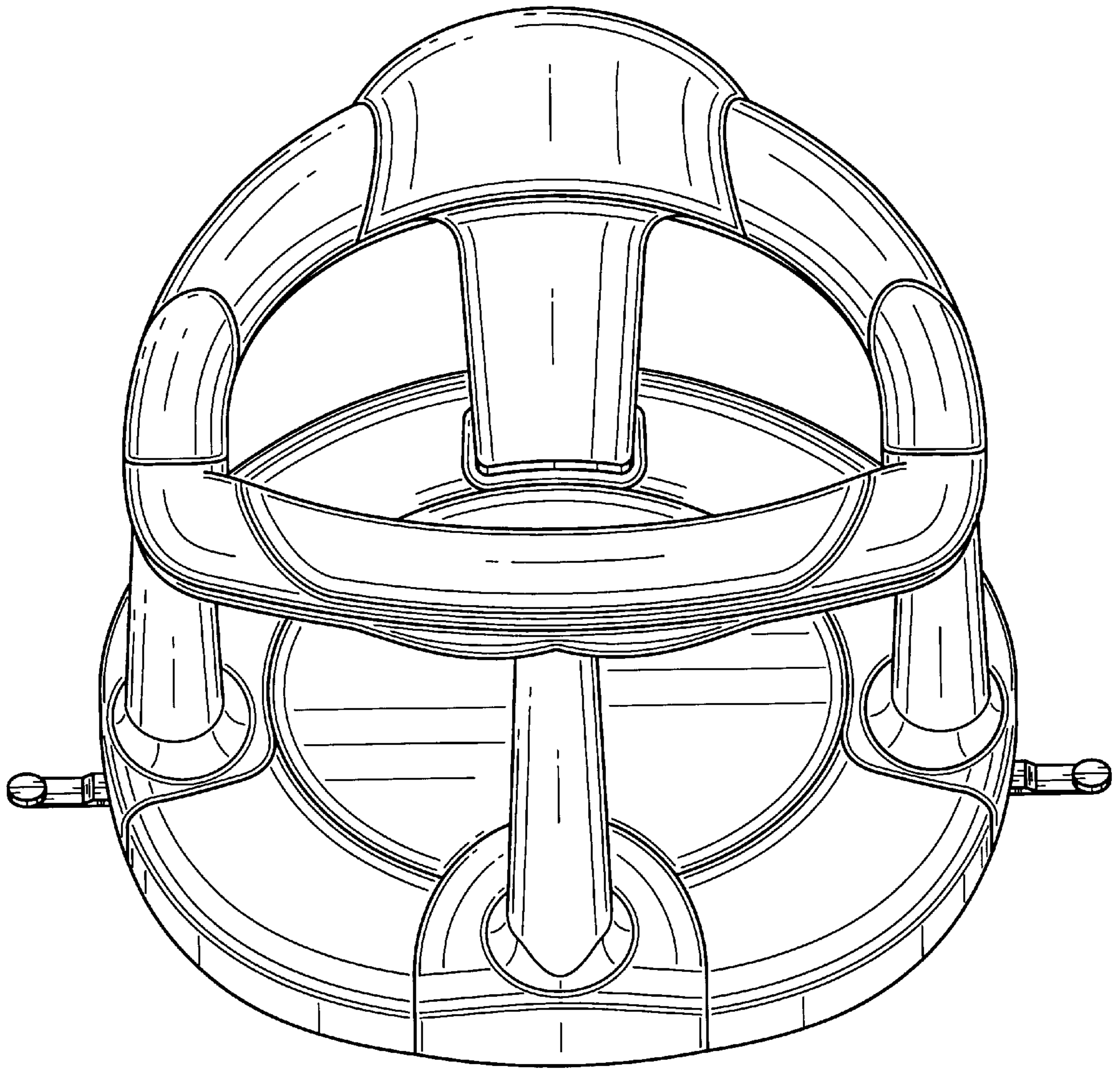


FIG. 15

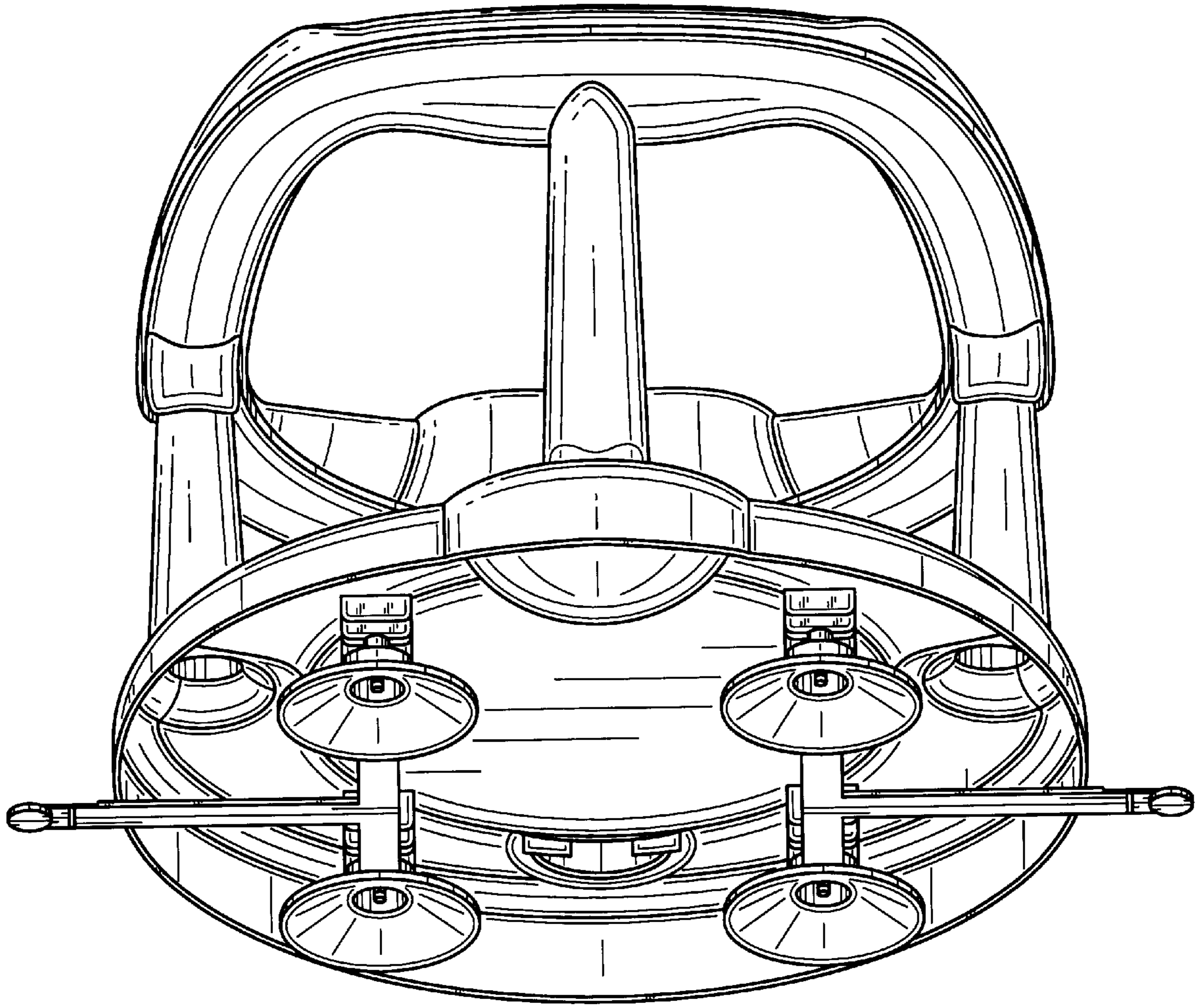


FIG. 16

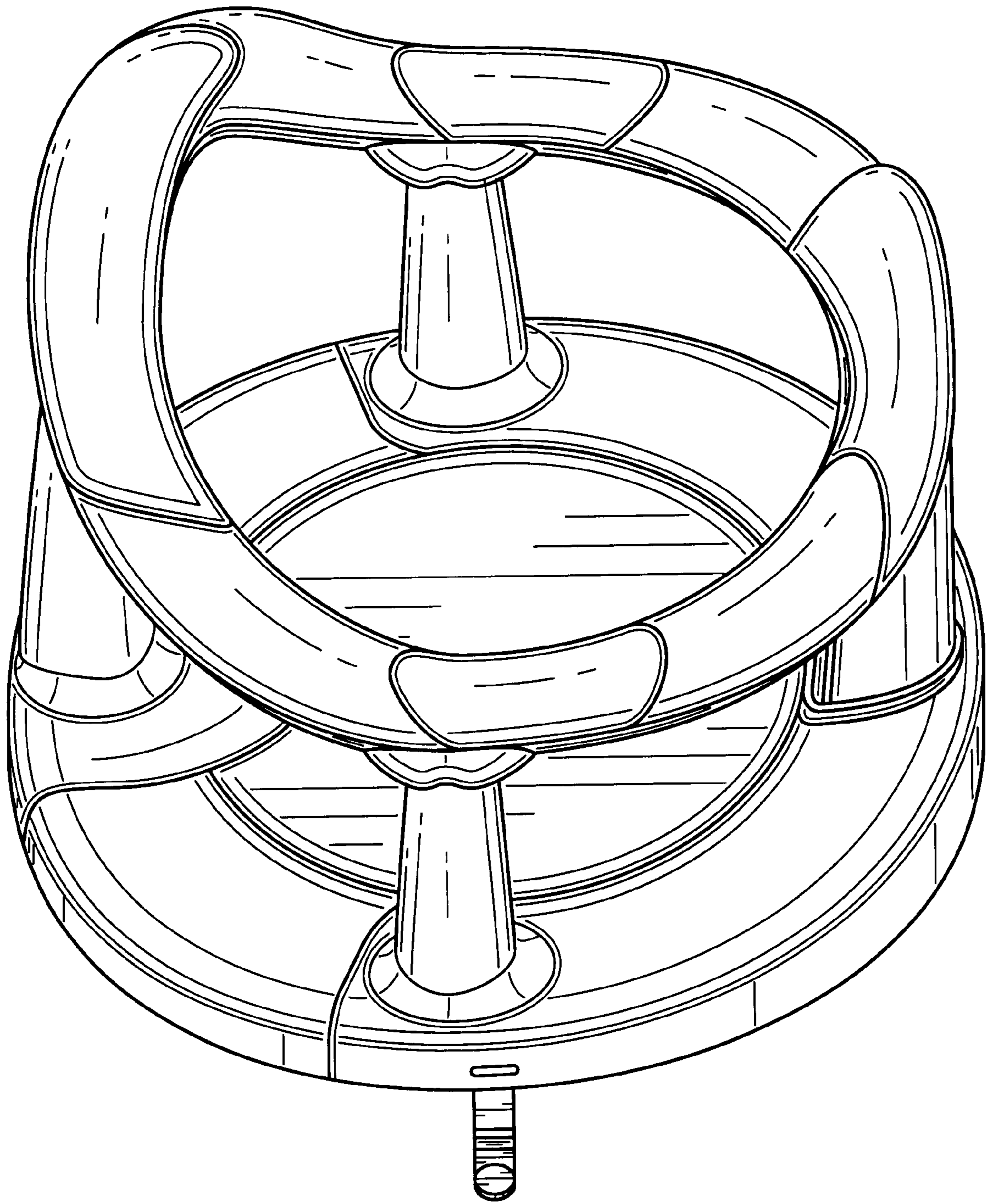


FIG. 17

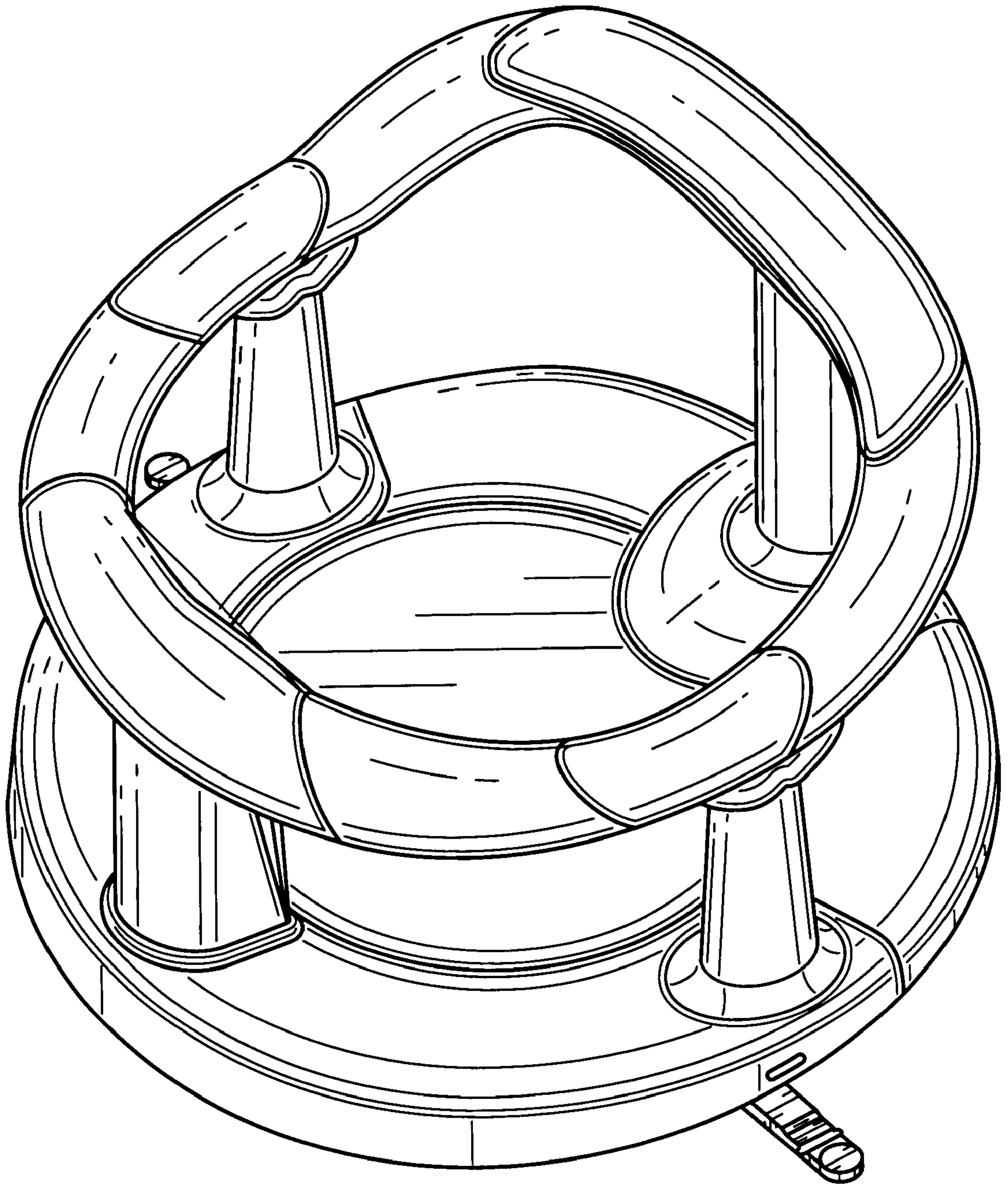


FIG. 18