



US00D468901S

(12) **United States Design Patent**
Thornber

(10) **Patent No.:** **US D468,901 S**

(45) **Date of Patent:** **** Jan. 21, 2003**

(54) **HIP SEAT BABY CARRIER**

(76) **Inventor:** **Jay Thornber**, 975 Hopkins Hill Rd.,
W. Greenwich, RI (US) 02817

(**) **Term:** **14 Years**

(21) **Appl. No.:** **29/120,697**

(22) **Filed:** **Mar. 27, 2000**

(51) **LOC (7) Cl.** **03-01**

(52) **U.S. Cl.** **D3/214; D3/213; D3/215**

(58) **Field of Search** **D3/213, 214, 215;**
224/159, 160, 161, 153, 579, 580

(56) **References Cited**

U.S. PATENT DOCUMENTS

781,033 A *	1/1905	Sutter	224/159
1,464,404 A	8/1923	Blekastad		
4,319,704 A	3/1982	Rosen		
4,815,639 A *	3/1989	Lehman	224/159
4,901,898 A *	2/1990	Colombo et al.	224/159

4,915,277 A *	4/1990	Larreategui	224/159
5,011,056 A *	4/1991	Larreategui	224/159
5,205,450 A *	4/1993	Derosier	224/161
D363,598 S *	10/1995	Walters et al.	D3/215
6,186,381 B1 *	2/2001	Kernkamp	224/161

* cited by examiner

Primary Examiner—Celia Murphy

(57) **CLAIM**

The ornamental design for a hip seat baby carrier, as shown and described.

DESCRIPTION

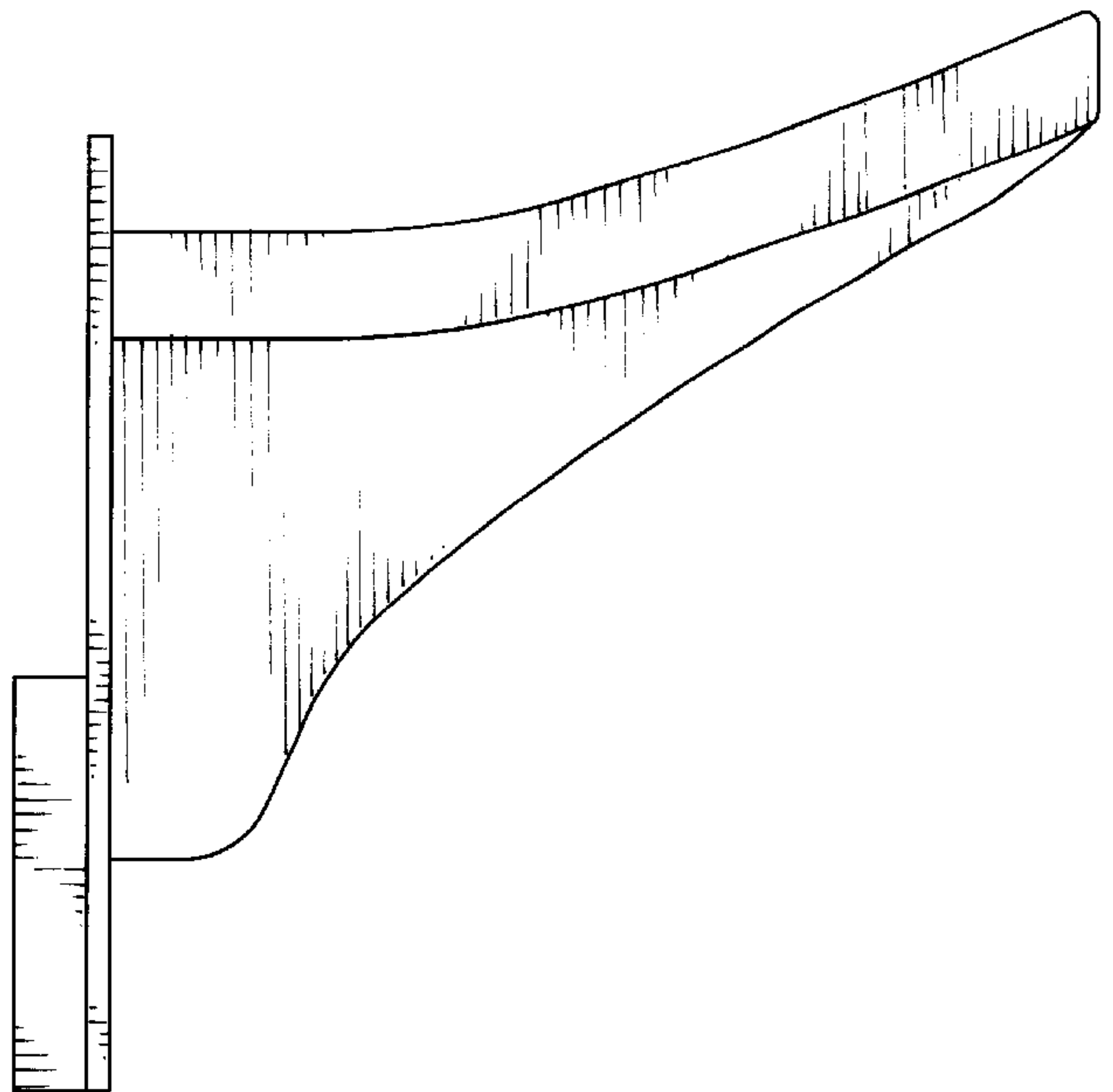
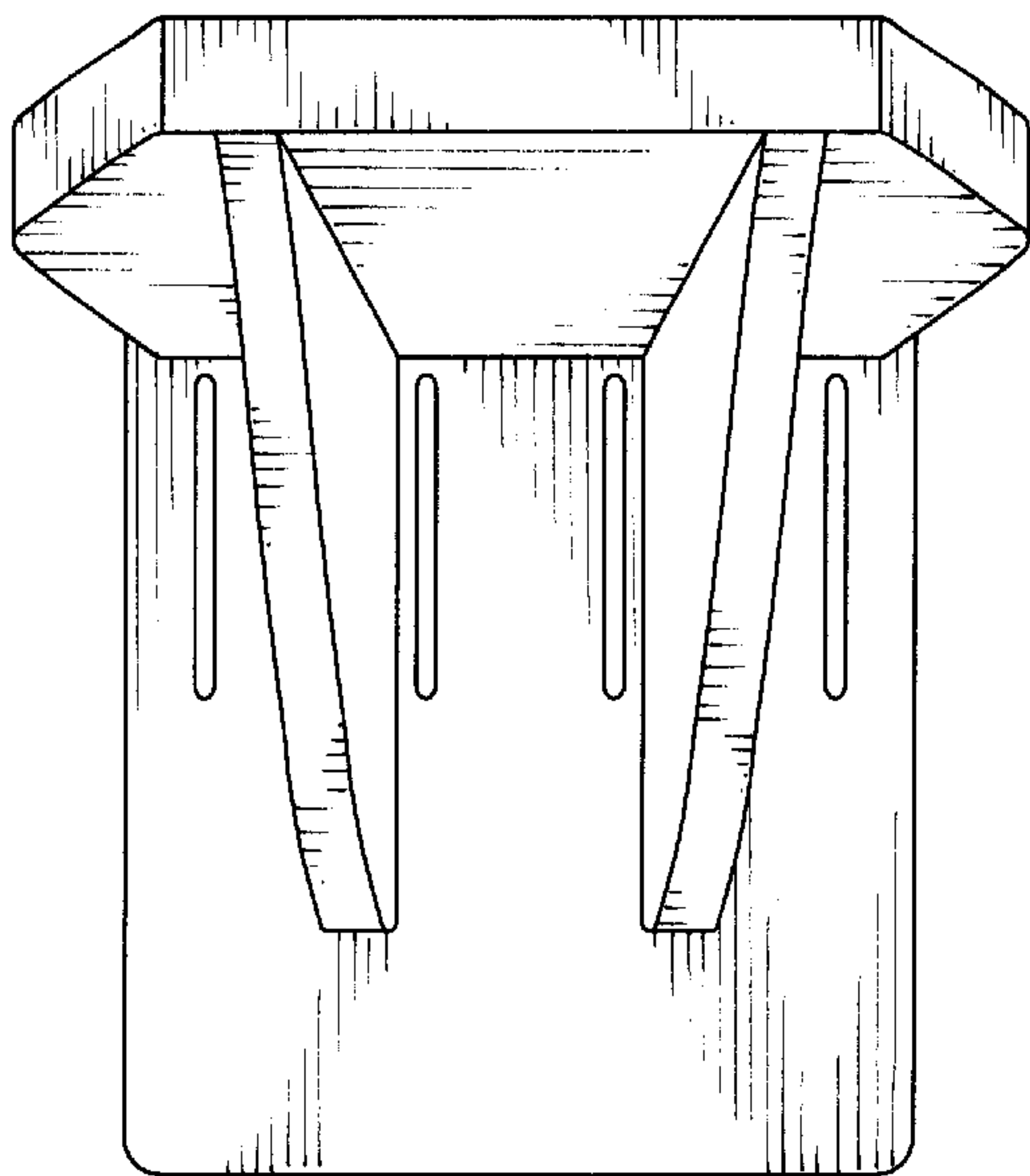
FIG. 1 is a front elevational view of a hip-seat baby carrier showing my new design;

FIG. 2 is a top plan view thereof;

FIG. 3 is a rear elevational view thereof; and,

FIG. 4 is a left side elevational view thereof, the right side being a mirror image.

1 Claim, 2 Drawing Sheets



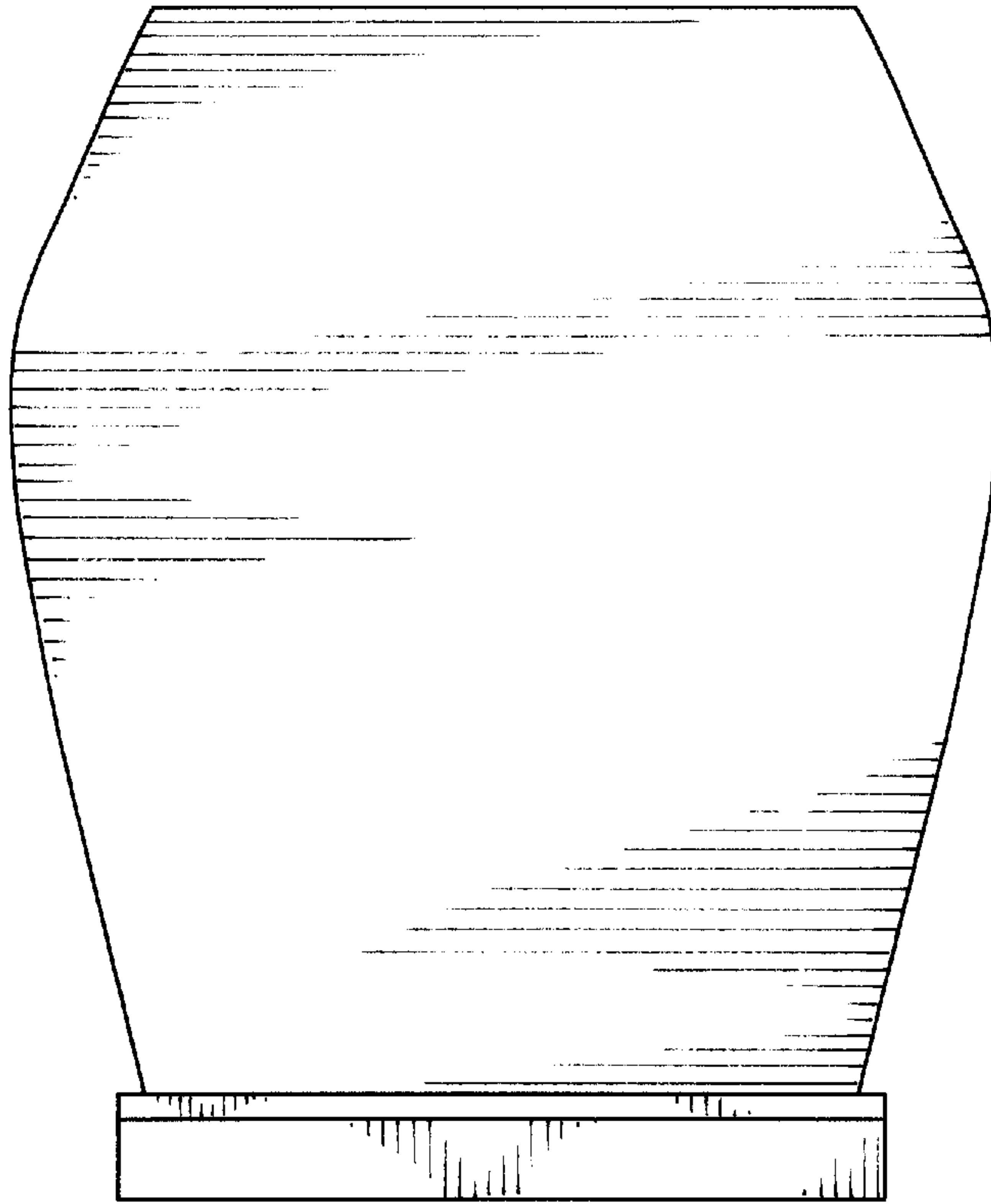


FIG. 2

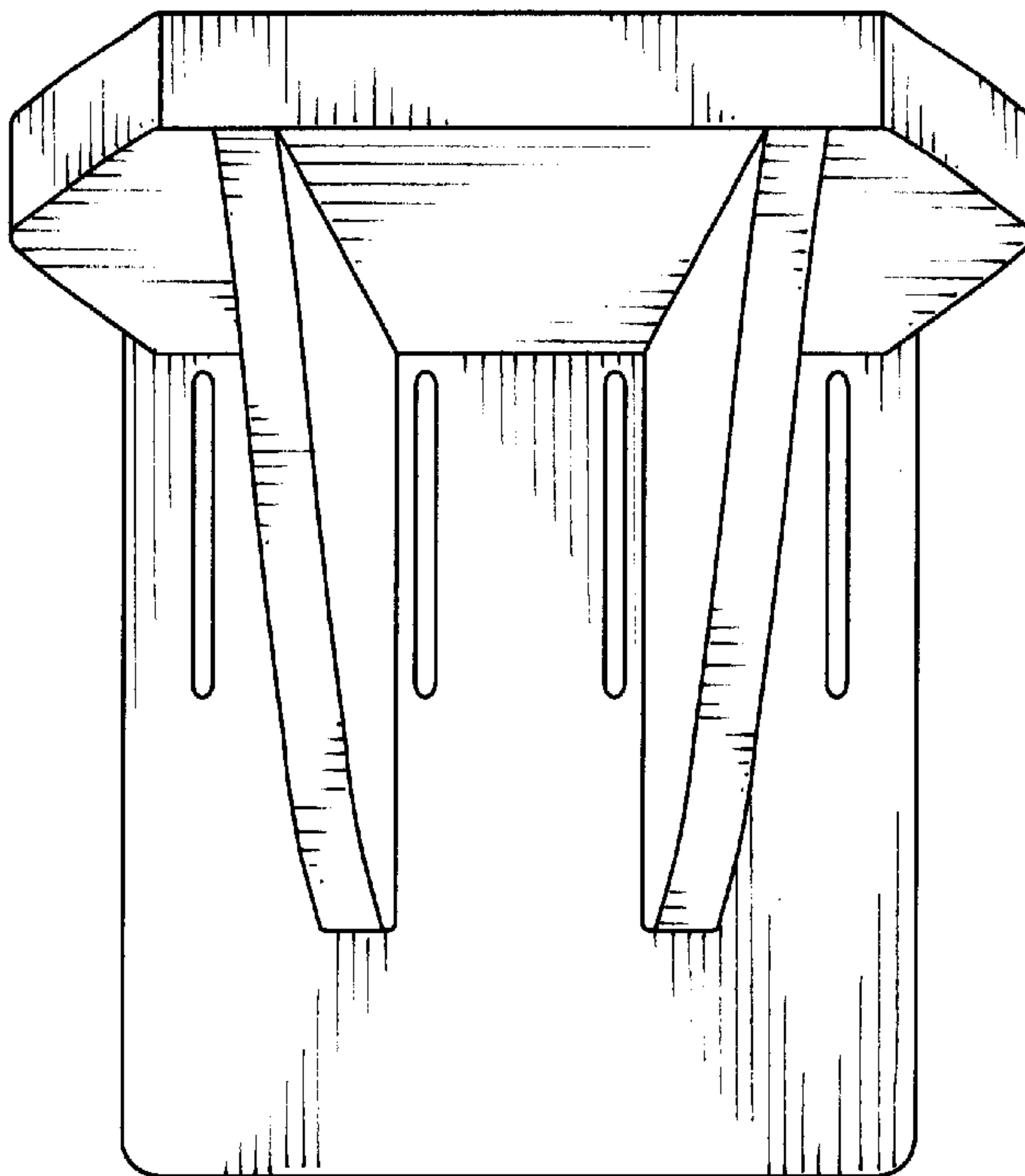


FIG. 1

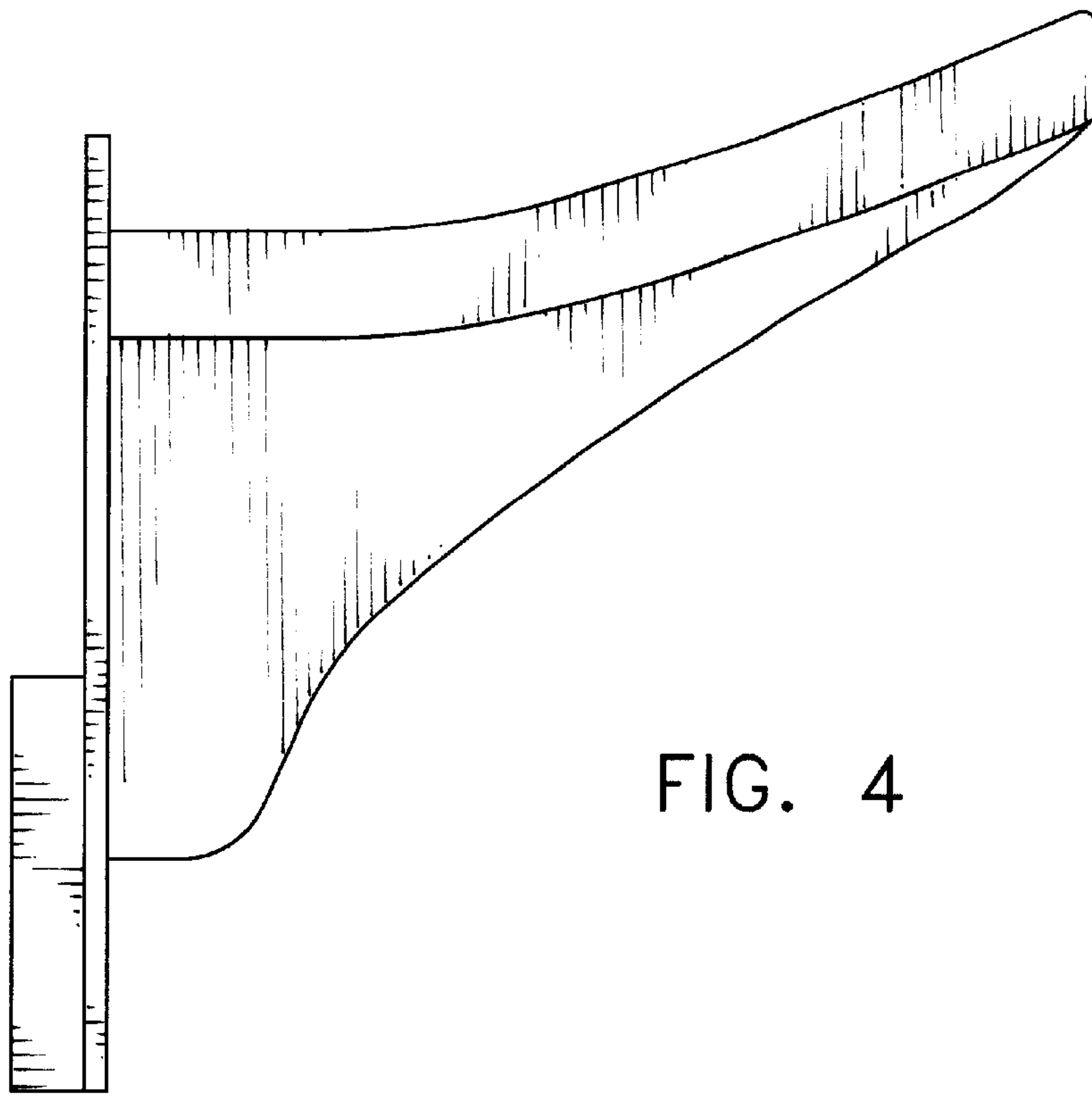


FIG. 4

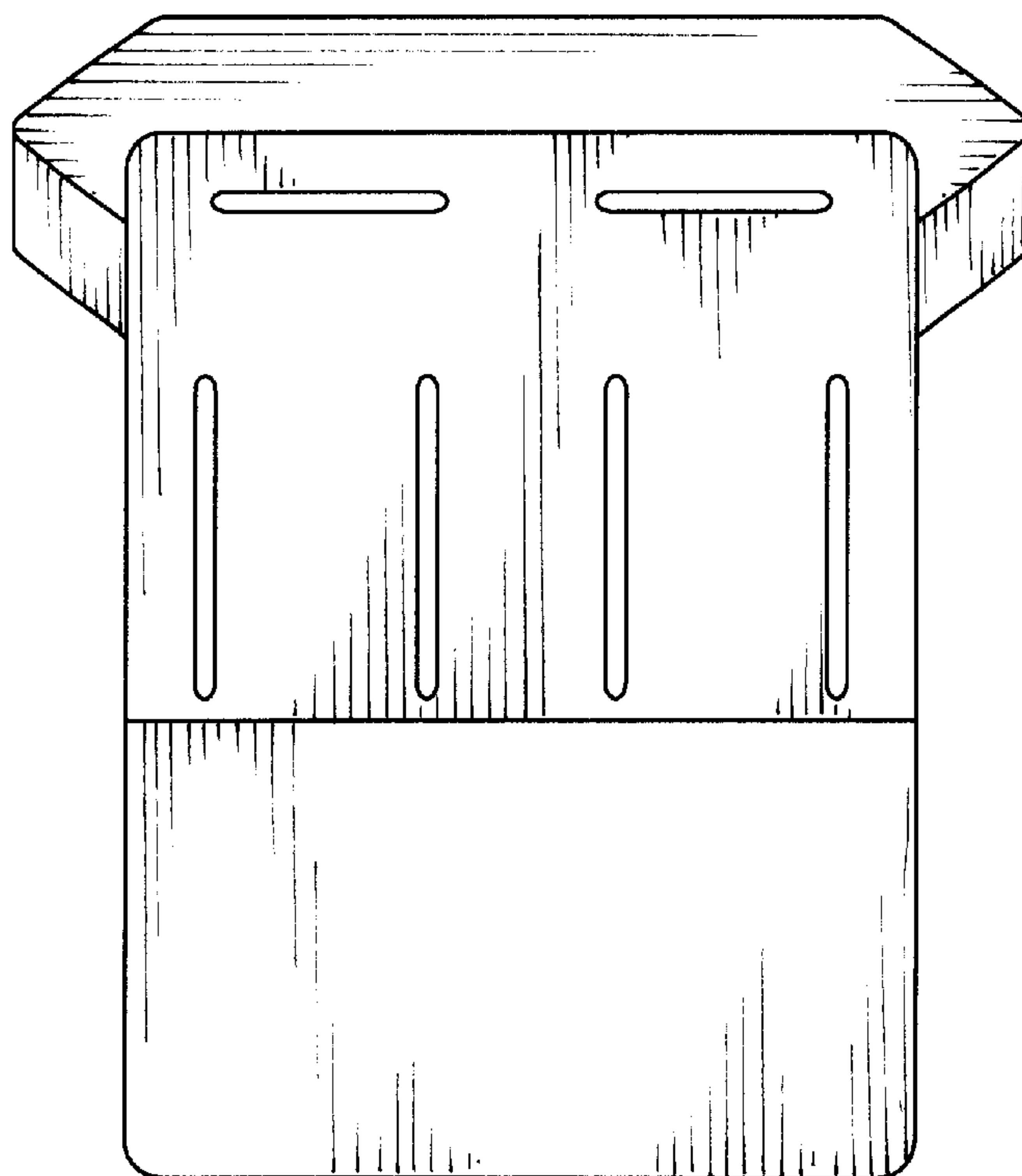


FIG. 3