



US00D468895S

(12) **United States Design Patent**  
**Savoie**

(10) **Patent No.:** **US D468,895 S**

(45) **Date of Patent:** **\*\* Jan. 21, 2003**

(54) **DIRECTIONAL COMFORT CLEAT**

(75) Inventor: **Armand J. Savoie**, Gardner, MA (US)

(73) Assignee: **MacNeill Engineering Co., Inc.**,  
Marlborough, MA (US)

(\*\*) Term: **14 Years**

(21) Appl. No.: **29/150,695**

(22) Filed: **Nov. 27, 2001**

(51) **LOC (7) Cl.** ..... **02-99**

(52) **U.S. Cl.** ..... **D2/962**

(58) **Field of Search** ..... D2/906, 962; 36/134,  
36/59 R, 67 A, 67 D

(56) **References Cited**

**U.S. PATENT DOCUMENTS**

6,305,104 B1	*	10/2001	McMullin	.....	36/59 R
D449,920 S	*	11/2001	Yu	.....	D2/962
D454,248 S	*	2/2002	Savoie	.....	D2/962
D459,866 S	*	7/2002	Gan	.....	D2/962

\* cited by examiner

*Primary Examiner*—Dominic Simone

(74) *Attorney, Agent, or Firm*—Bromberg & Sunstein LLP

(57) **CLAIM**

The ornamental design for a directional comfort cleat, as shown and described.

**DESCRIPTION**

FIG. 1 shows a bottom plan view of a directional comfort cleat according to a preferred embodiment.

FIG. 2 shows a back side view of a cleat according to FIG. 1.

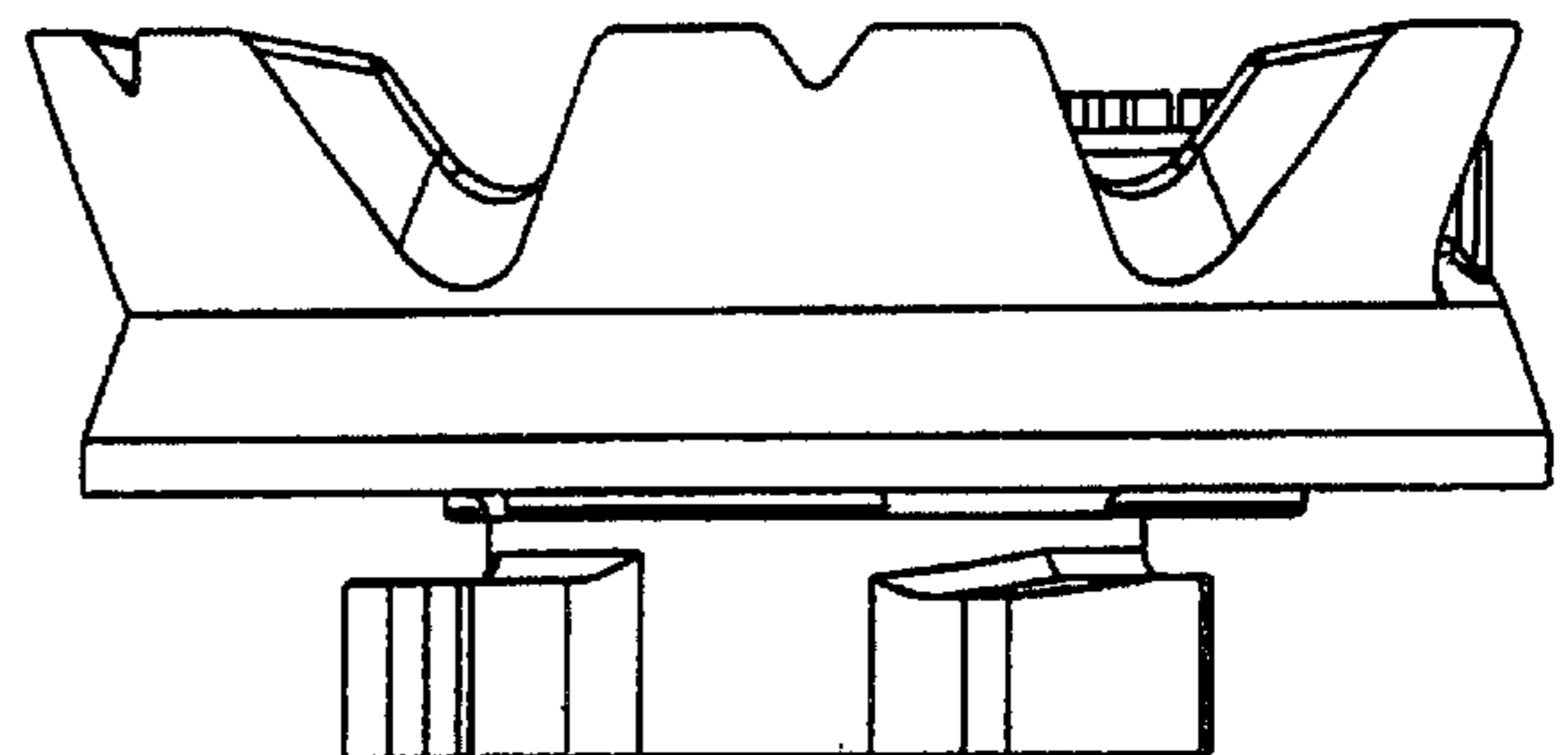
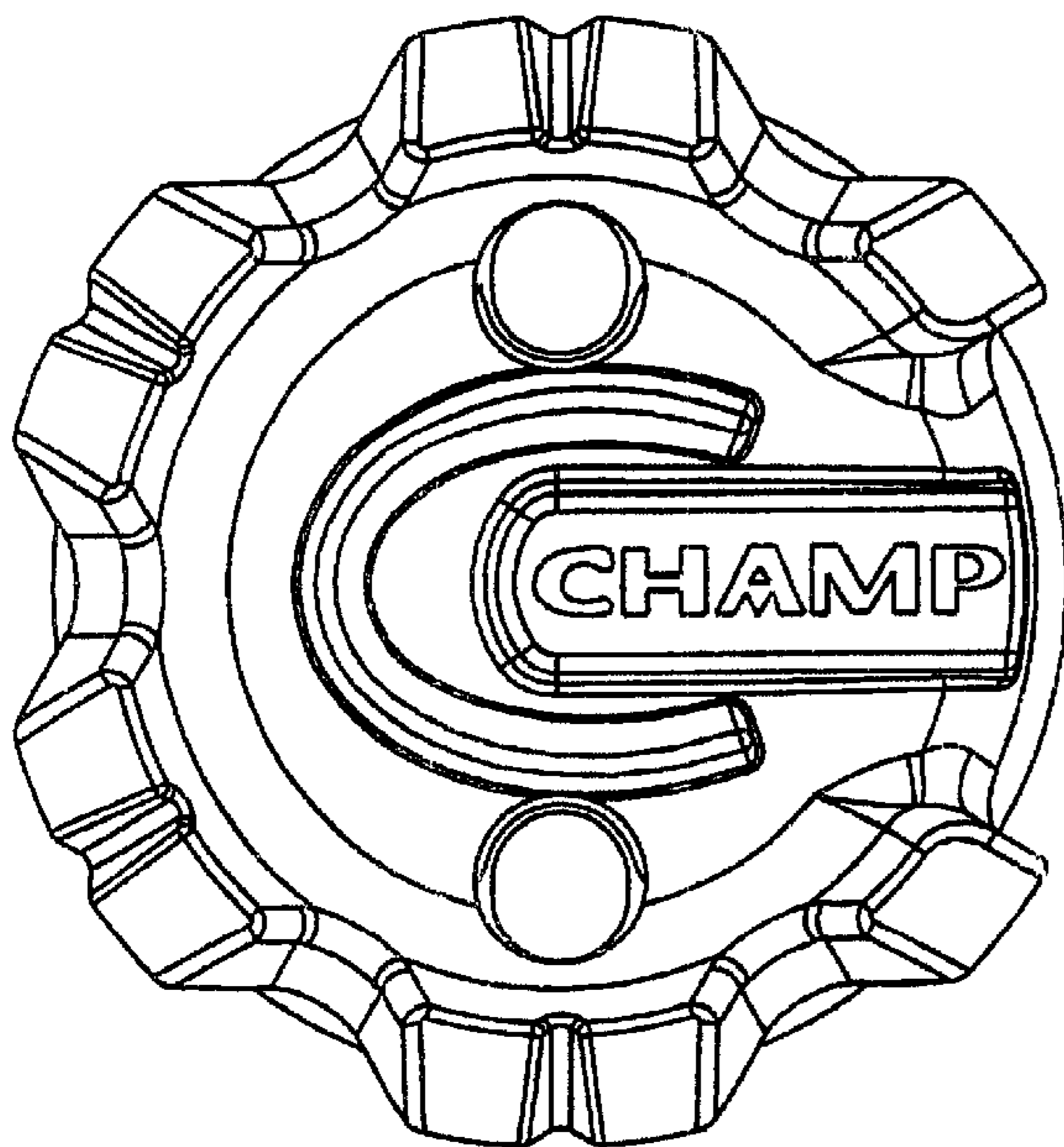
FIG. 3 shows a left side view of a cleat according to FIG. 1.

FIG. 4 shows a right side view of a cleat according to FIG. 1.

FIG. 5 shows a front side view of a cleat according to FIG. 1; and,

FIG. 6 shows a top plan view of a cleat according to FIG. 1.

**1 Claim, 2 Drawing Sheets**



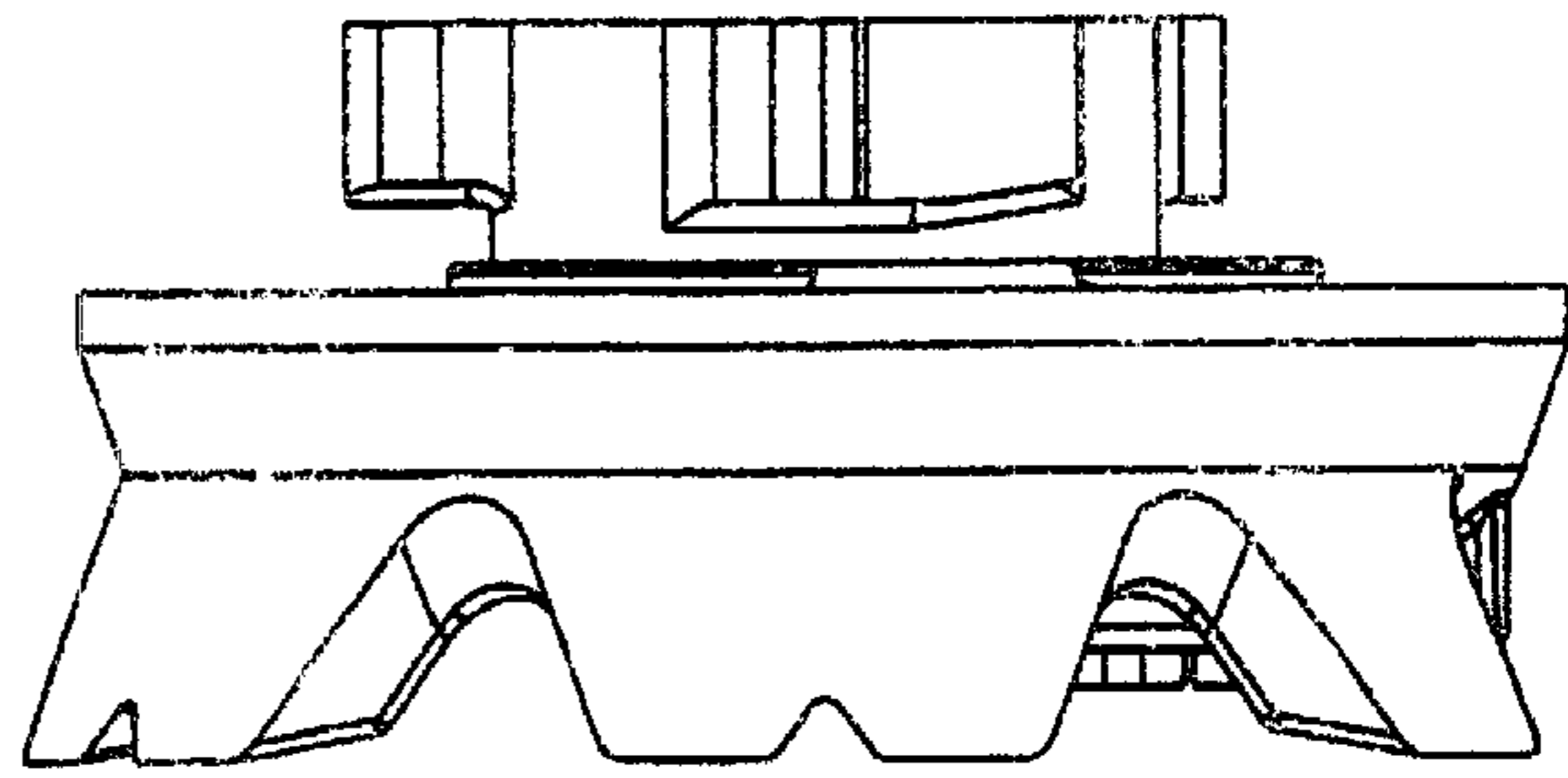


FIG. 3

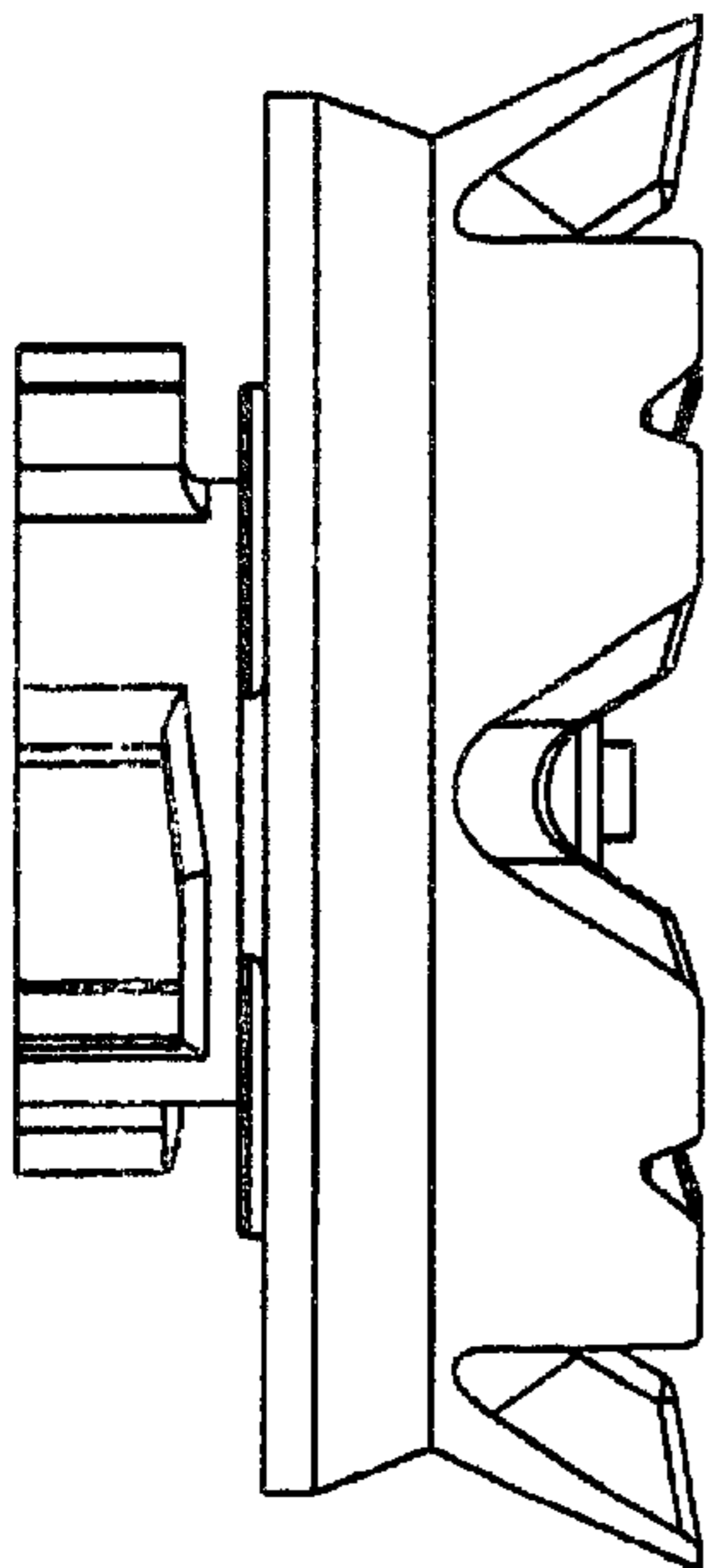


FIG. 2

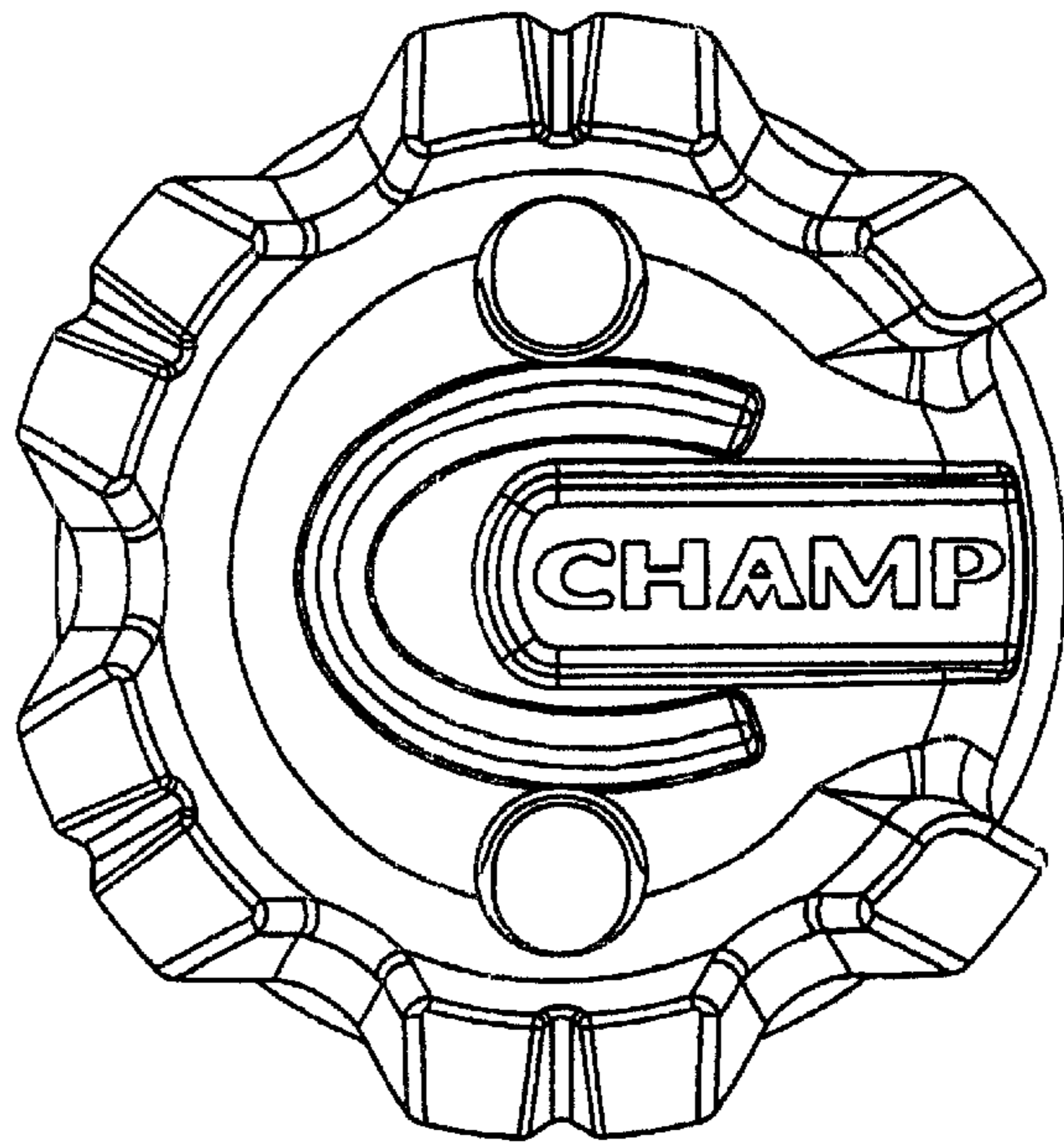


FIG. 1

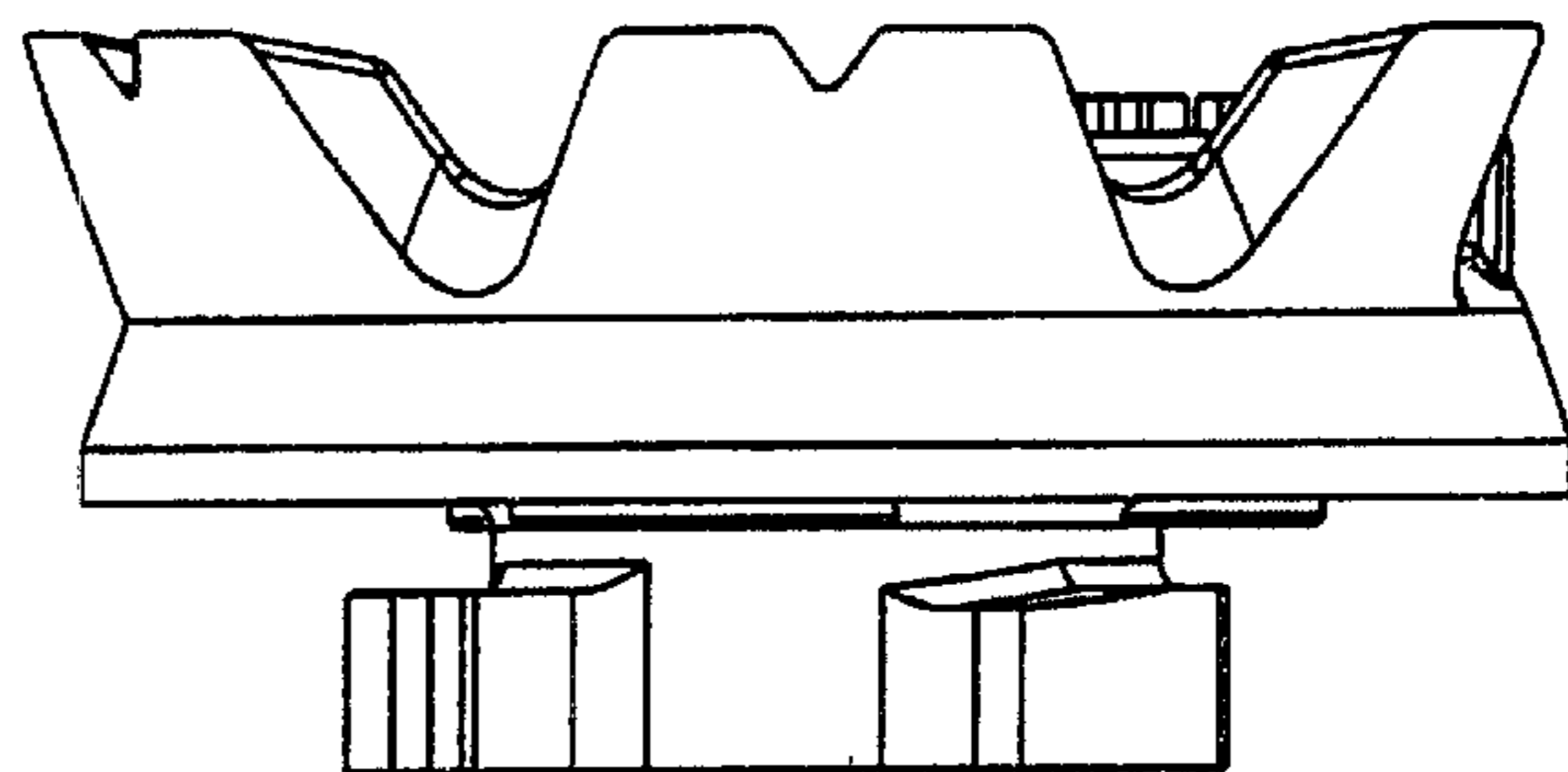


FIG. 4

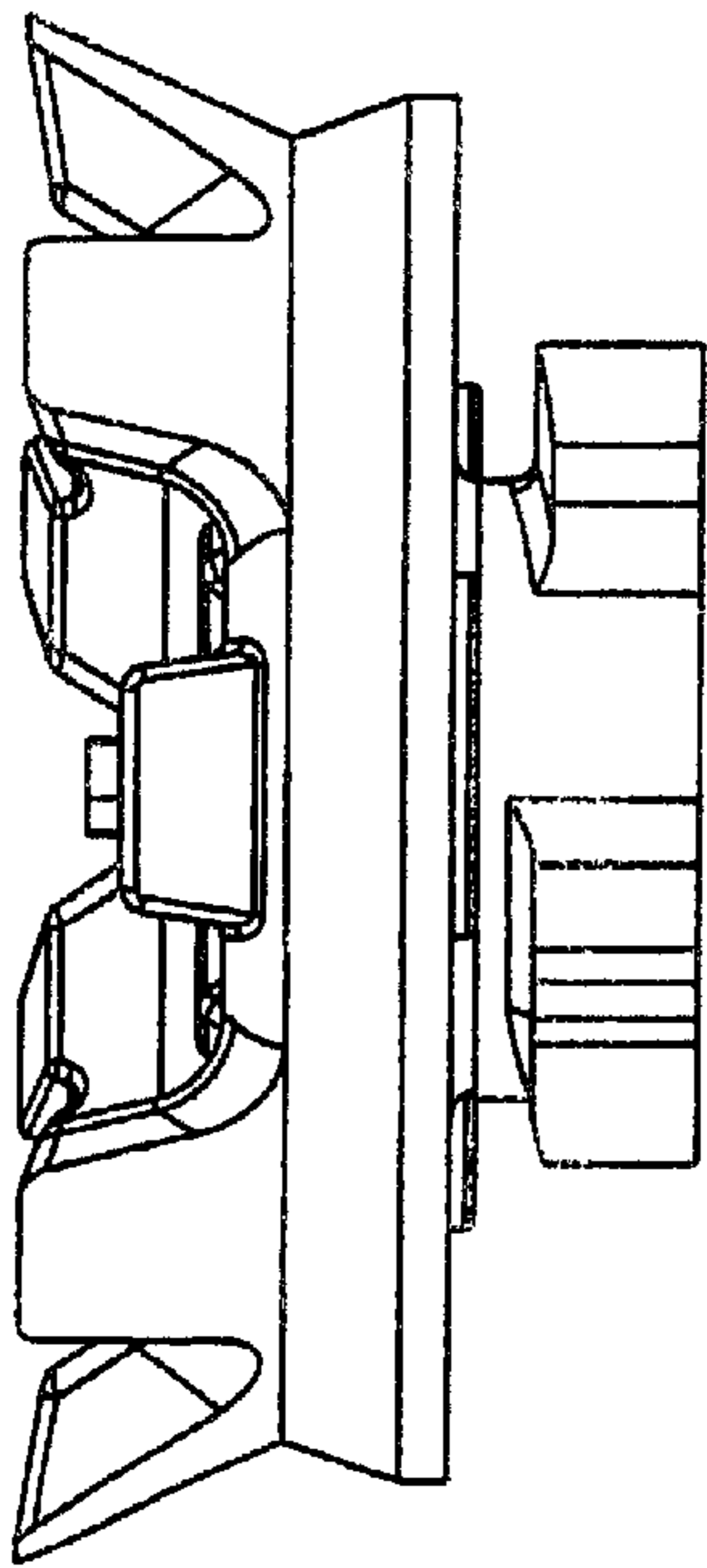


FIG. 5

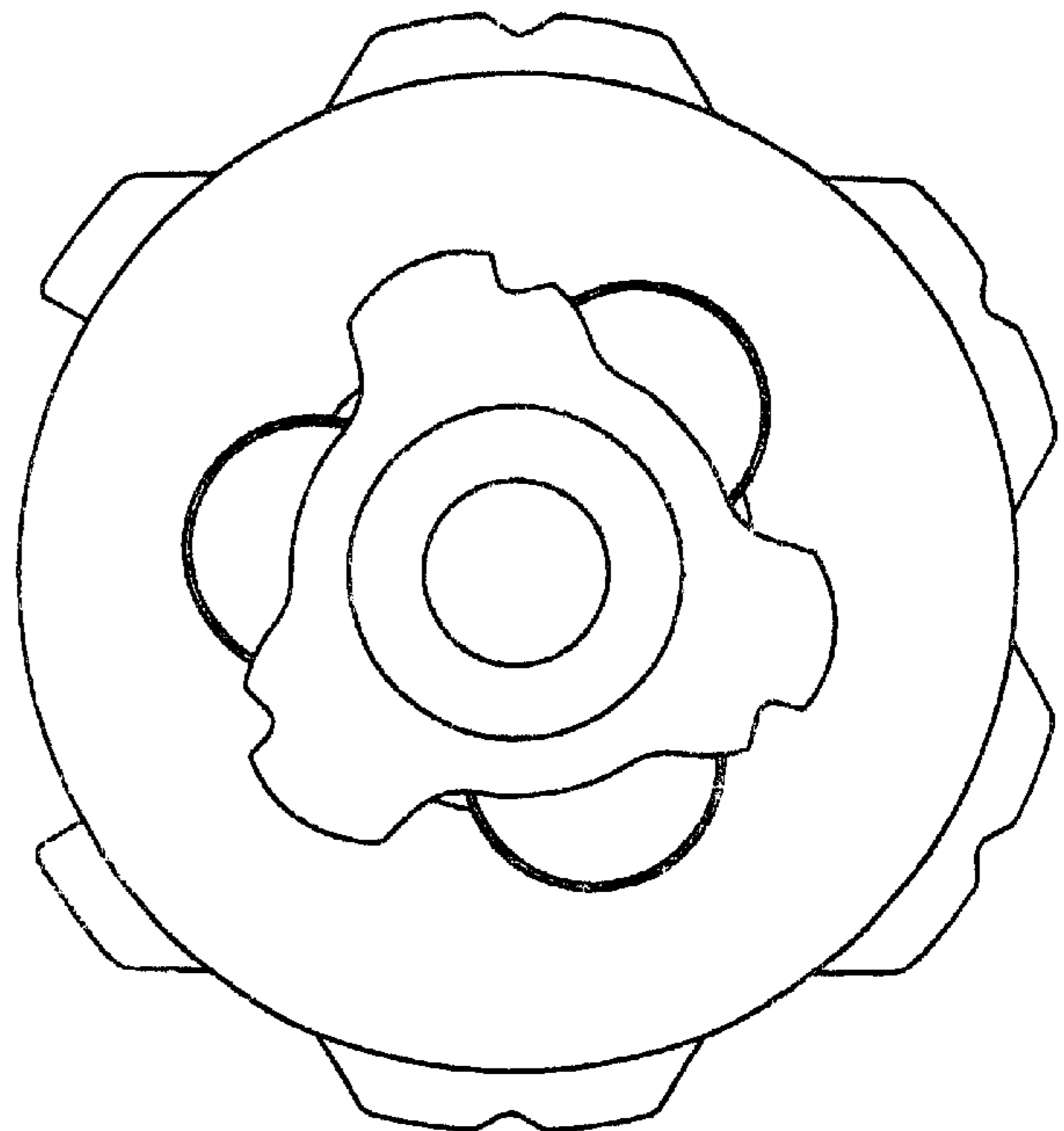


FIG. 6