



US00D46884S

(12) **United States Design Patent**
Ito

(10) **Patent No.:** **US D468,884 S**

(45) **Date of Patent:** **** Jan. 14, 2003**

- (54) **ELECTRICALLY-DRIVEN CART**
- (75) Inventor: **Jun Ito, Wako (JP)**
- (73) Assignee: **Honda Giken Kogyo Kabushiki Kaisha, Tokyo (JP)**
- (**) Term: **14 Years**
- (21) Appl. No.: **29/156,027**
- (22) Filed: **Feb. 25, 2002**
- (30) **Foreign Application Priority Data**
Aug. 27, 2001 (JP) 2001-025094
- (51) **LOC (7) Cl.** **12-05**
- (52) **U.S. Cl.** **D34/28; D34/12**
- (58) **Field of Search** **D34/12, 1, 27, D34/28, 34; 180/234, 236, 65 E, 91**
- (56) **References Cited**
U.S. PATENT DOCUMENTS
D175,033 S * 6/1955 McCollough D34/34

- 4,089,384 A * 5/1978 Ehrenberg 180/234
- 5,090,512 A * 2/1992 Mullet et al. 180/236
- 5,570,754 A * 11/1996 Stimson 180/234
- D457,999 S * 5/2002 Oshima et al. D34/28

* cited by examiner

Primary Examiner—Kay H. Chin

(74) *Attorney, Agent, or Firm*—Armstrong, Westerman & Hattori, LLP

(57) **CLAIM**

The ornamental design for an electrically-driven cart, as shown and described.

DESCRIPTION

FIG. 1 is a front perspective view of a electrically-driven cart showing our new design;
 FIG. 2 is a front elevation view thereof;
 FIG. 3 is a rear elevation view thereof;
 FIG. 4 is a top plan view thereof;
 FIG. 5 is a right side elevation view thereof; and,
 FIG. 6 is a left side elevation view thereof.

1 Claim, 4 Drawing Sheets

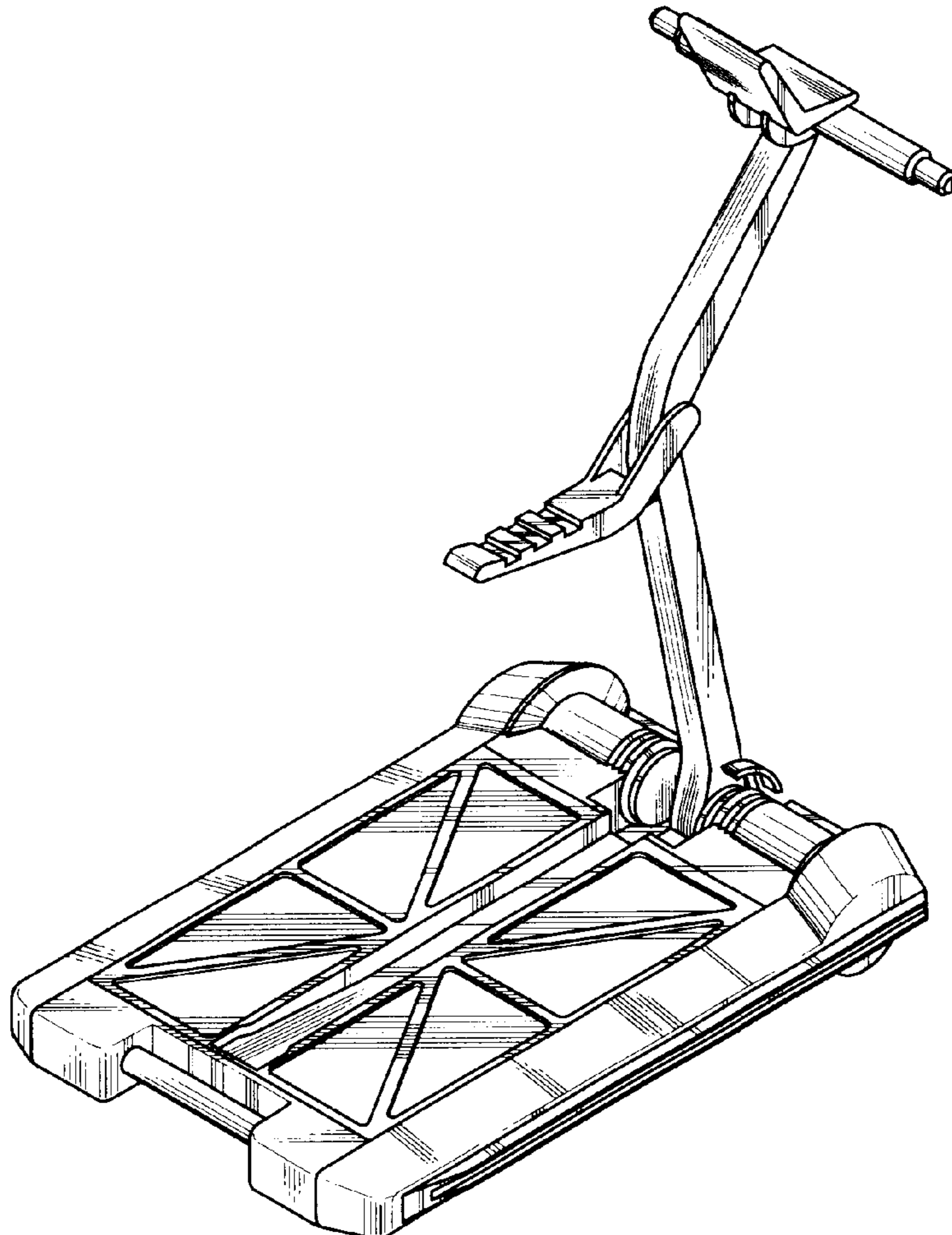


FIG. 1

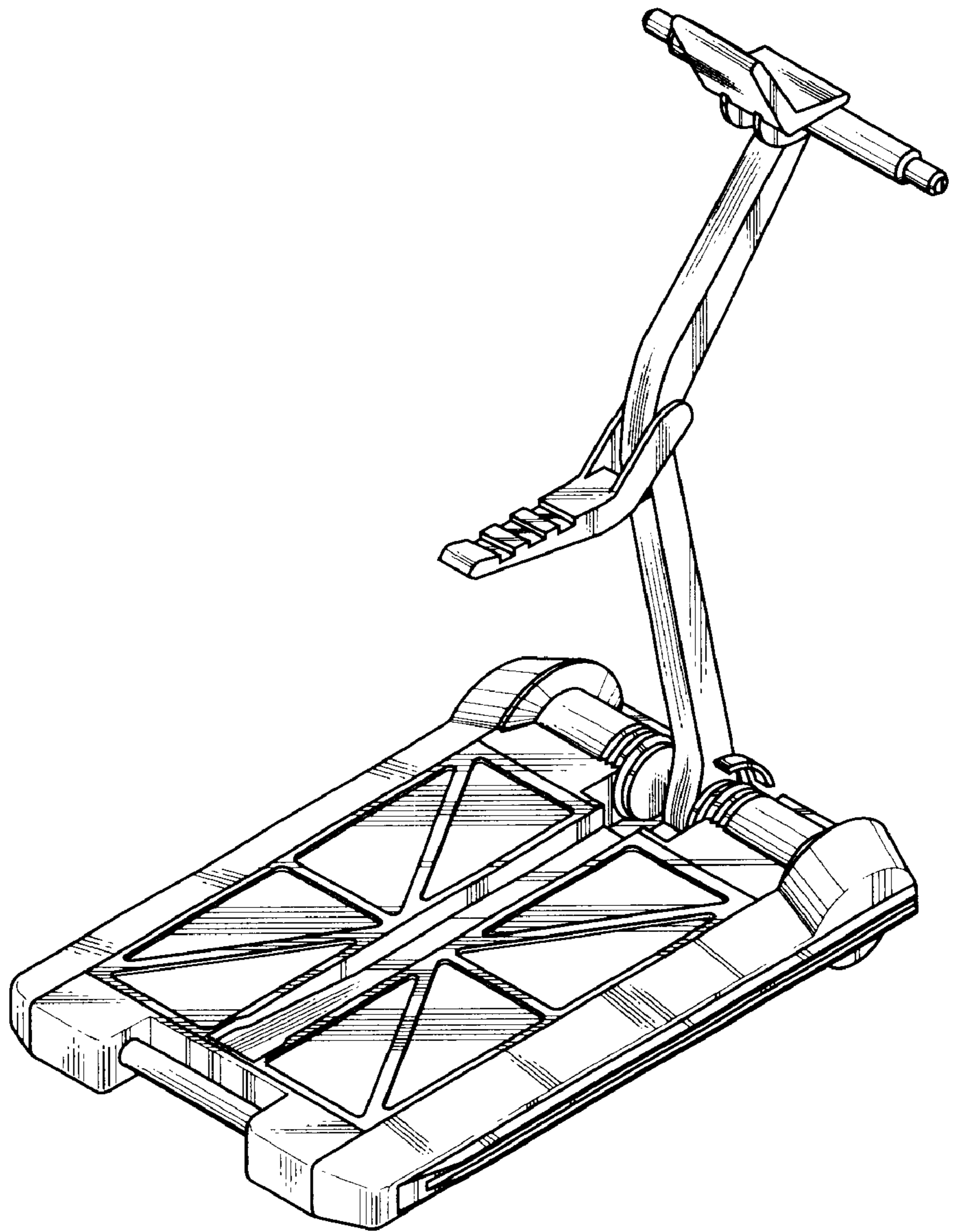


FIG. 2

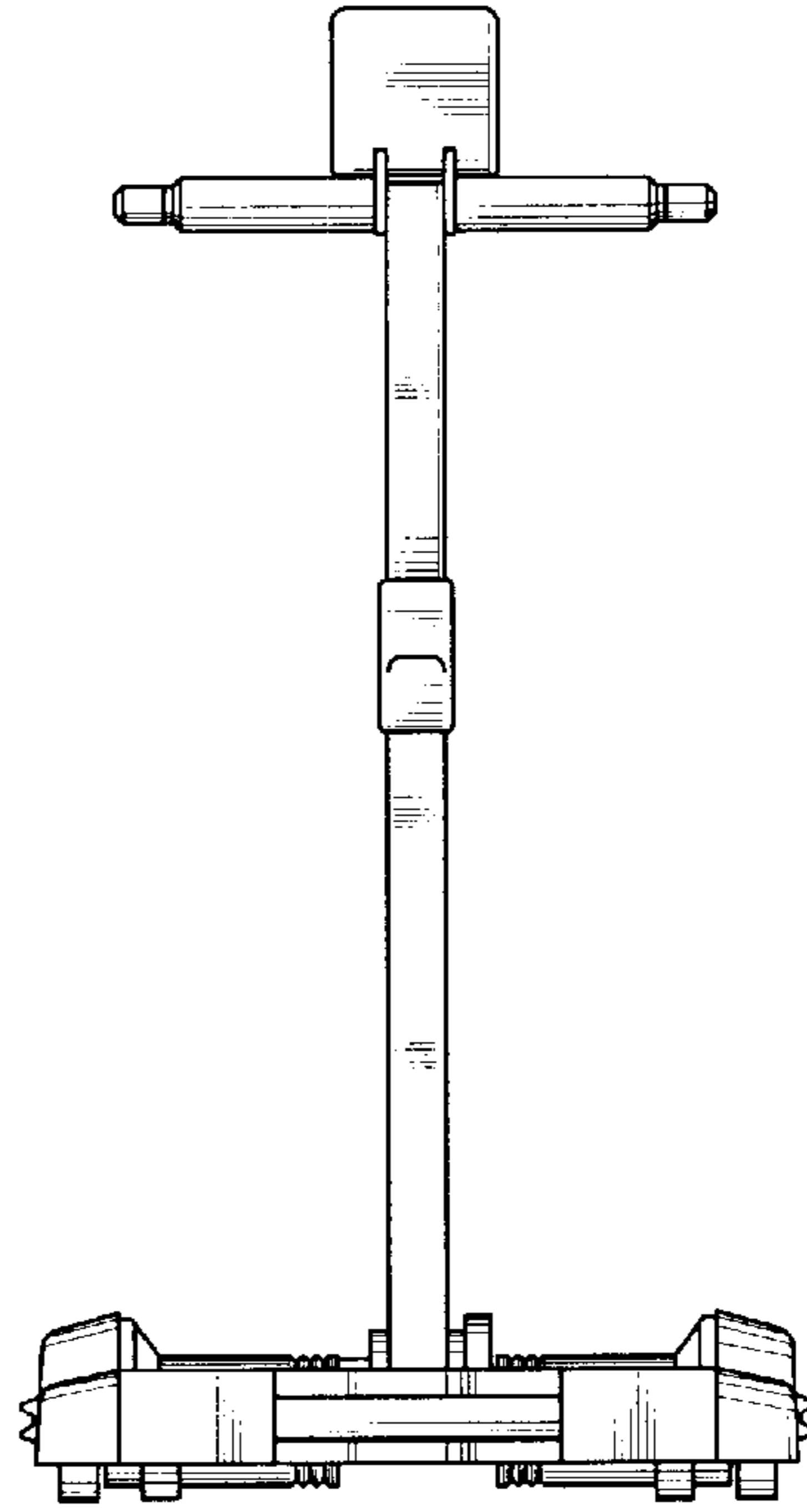


FIG. 3

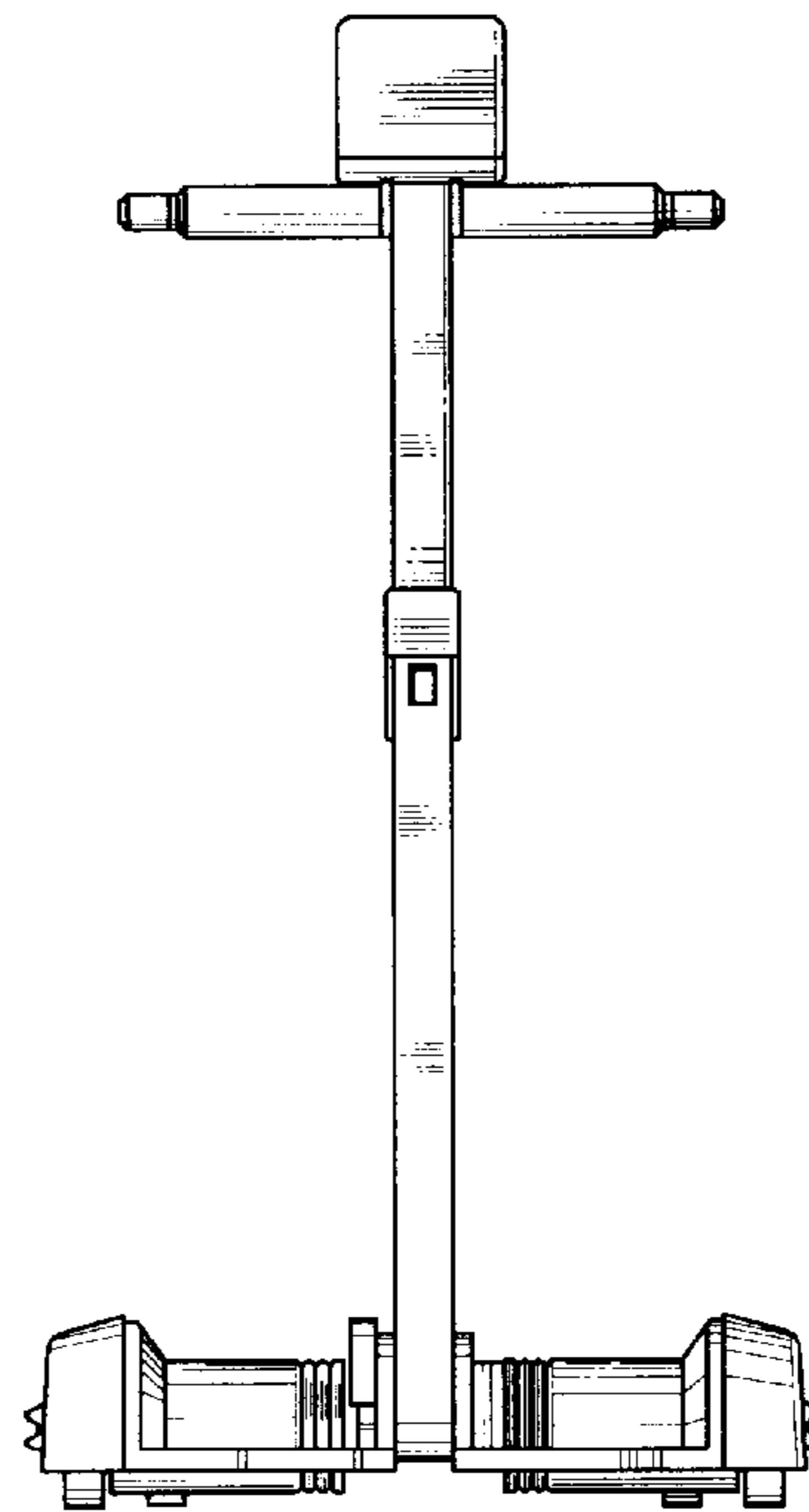


FIG. 4

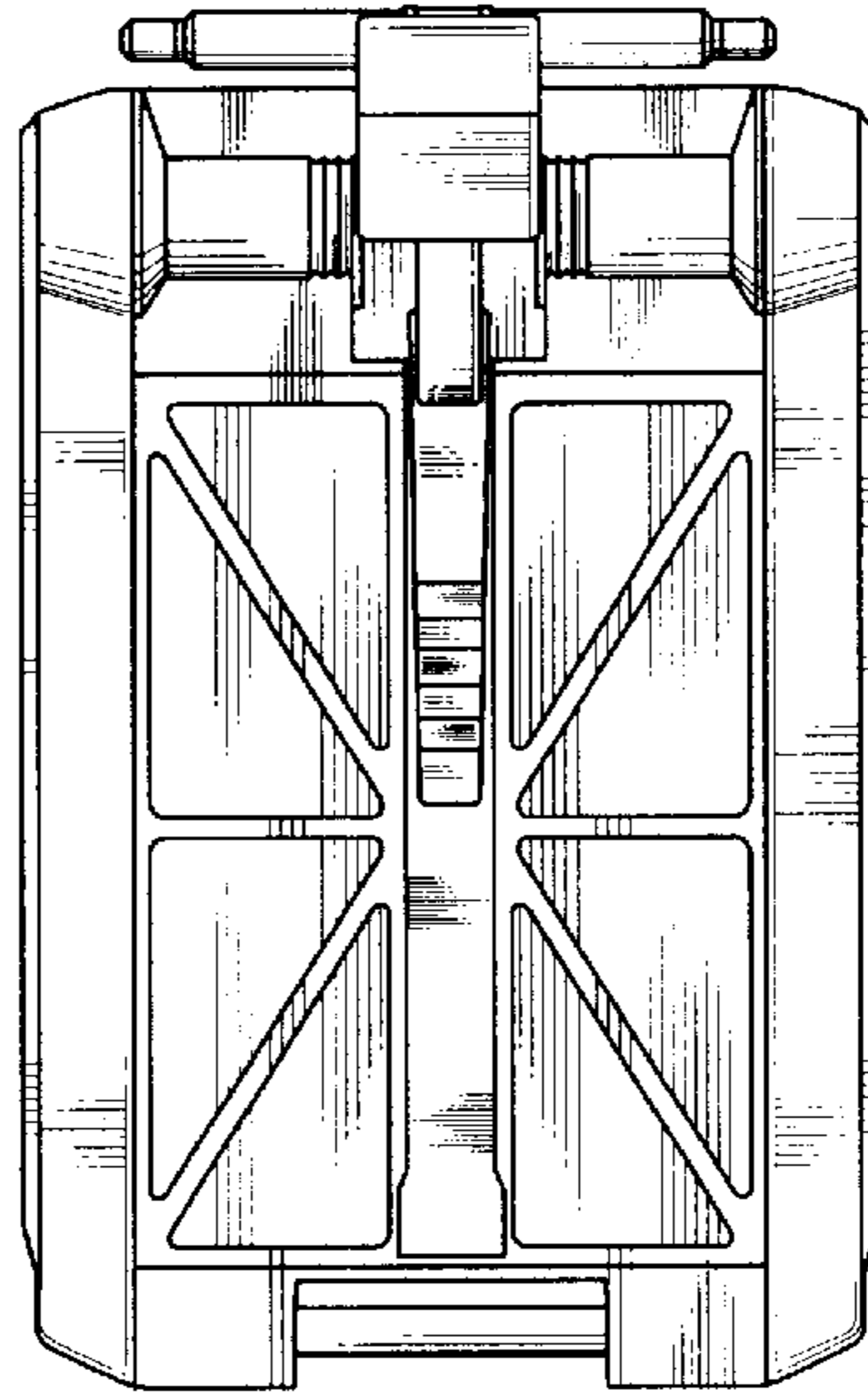


FIG. 5

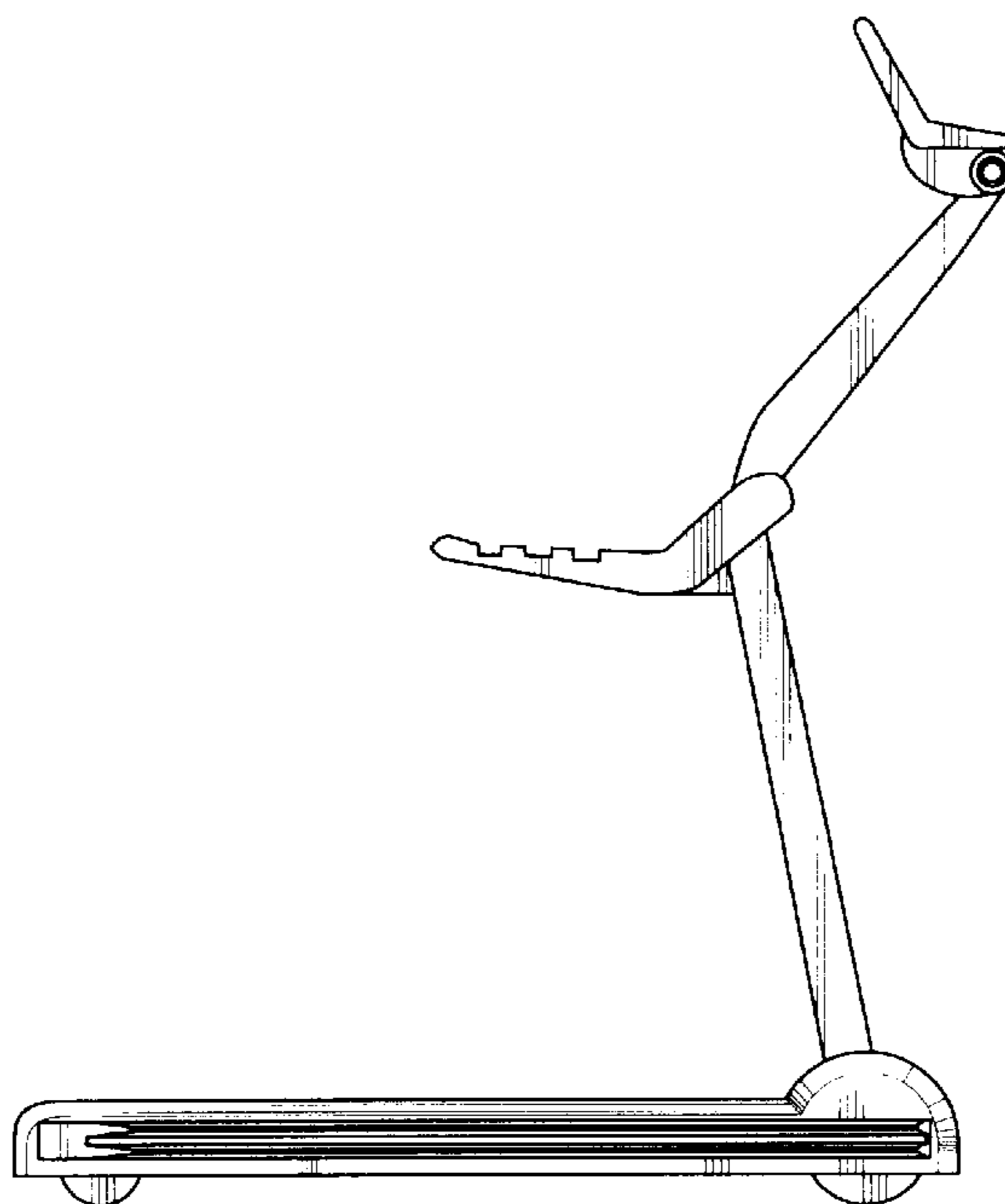


FIG. 6

