



US00D46882S

(12) **United States Design Patent**
Hsieh et al.

(10) **Patent No.:** **US D468,882 S**

(45) **Date of Patent:** **** Jan. 14, 2003**

(54) **HANDCART**

D365,187 S * 12/1995 Tsai D34/26
D411,679 S * 6/1999 Hsieh et al. D34/24
D453,602 S * 2/2002 Chang D34/24

(76) Inventors: **Yung-Shun Hsieh**, No. 15, Lane 493,
Yuan-Chi Rd., Sec. 2, Yuanlin,
Chang-Hua Hsien (TW); **Hung-Hsin
Hsieh**, 15F1, No. 83, Chung-Hsiao East
Rd., Sec. 1, Taipei (TW)

* cited by examiner

Primary Examiner—Kay H. Chin

(74) *Attorney, Agent, or Firm*—Jacobson Holman PLLC

(**) Term: **14 Years**

(57) **CLAIM**

(21) Appl. No.: **29/155,237**

The ornamental design for “a handcart”, as shown and described.

(22) Filed: **Feb. 8, 2002**

DESCRIPTION

(30) **Foreign Application Priority Data**

Aug. 13, 2001 (GB) 2103982

(51) **LOC (7) Cl.** **12-02**

(52) **U.S. Cl.** **D34/24; D34/26**

(58) **Field of Search** D34/12-27; 280/40,
280/47.24, 47.27, 47.29, 651, 652, 655.1,
655

FIG. 1 is a perspective view of a handcart showing my design;
FIG. 2 is a front elevational view thereof;
FIG. 3 is a rear elevational view thereof;
FIG. 4 is a left side elevational view thereof;
FIG. 5 is a right side elevational view thereof;
FIG. 6 is a top plan view thereof; and,
FIG. 7 is a bottom plan view thereof; and,
FIG. 8 is a perspective view of handcart in a contractive and folded state according to the present design.

(56) **References Cited**

U.S. PATENT DOCUMENTS

5,468,005 A * 11/1995 Yang 280/40

1 Claim, 8 Drawing Sheets

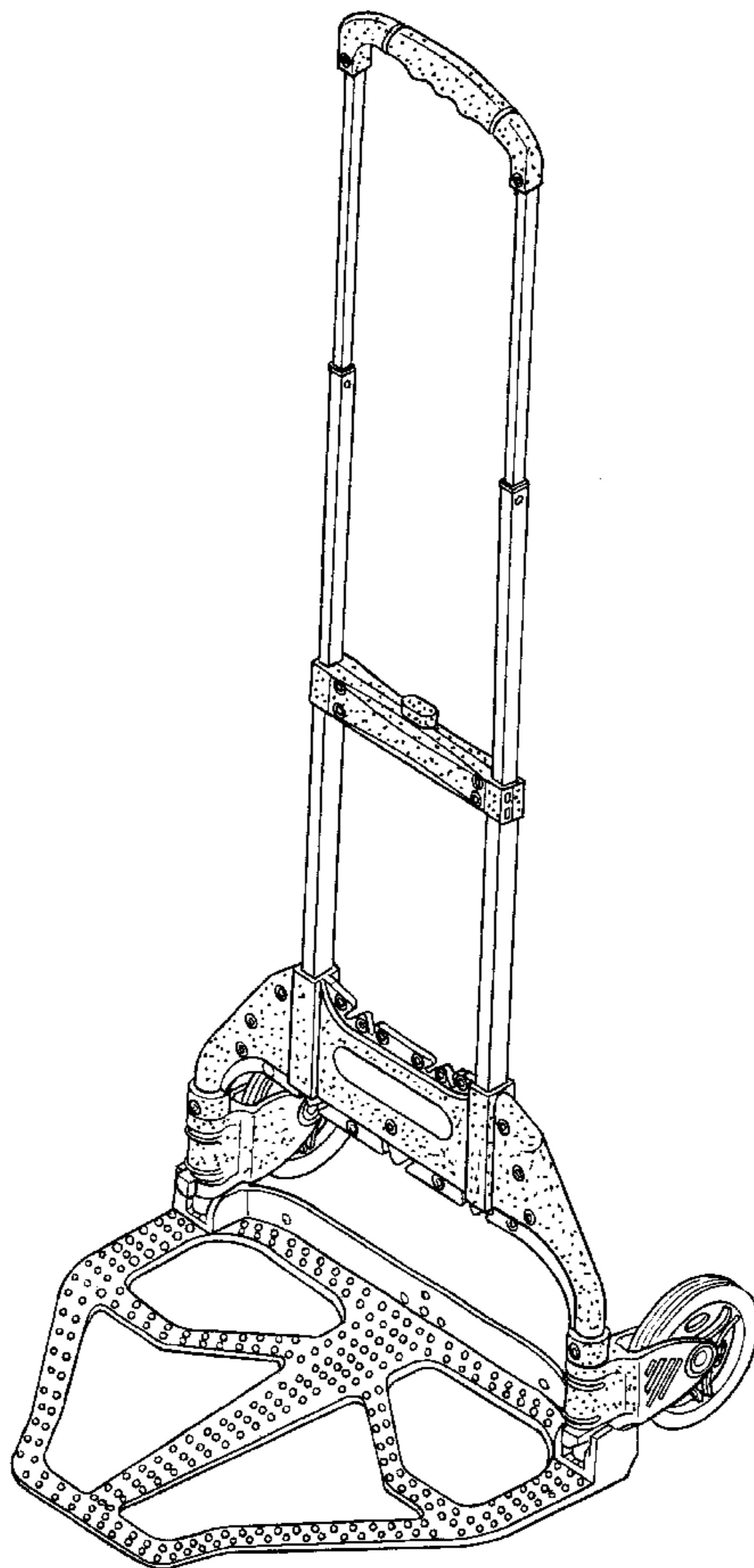
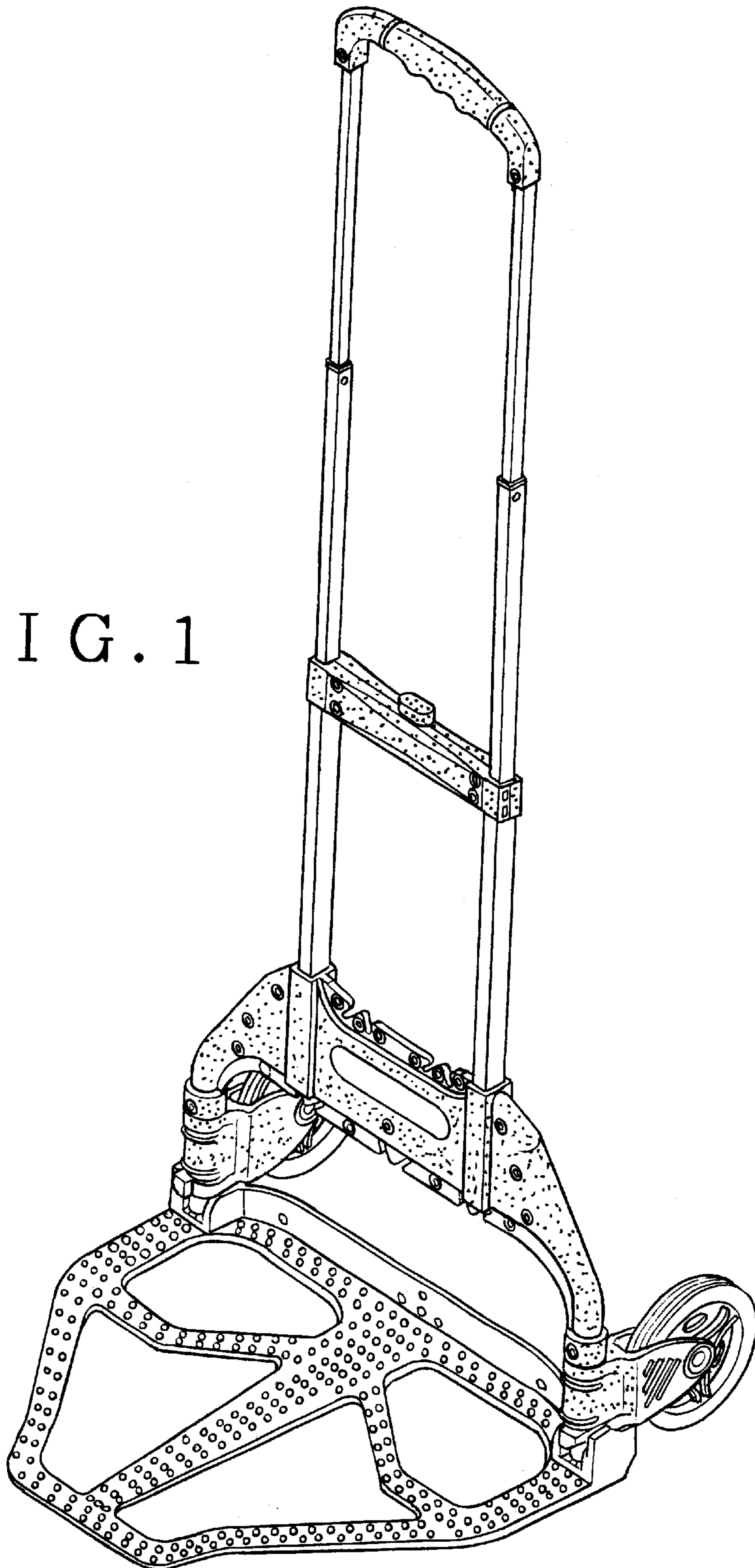


FIG. 1



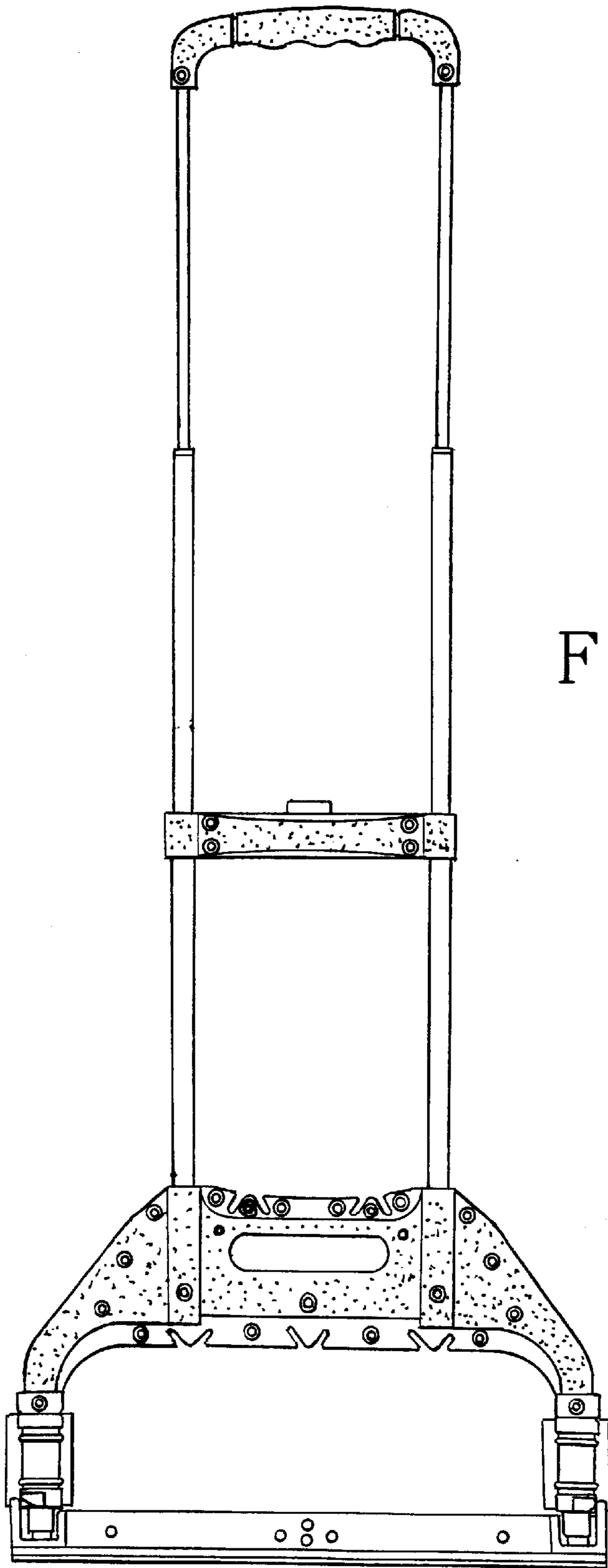


FIG. 2

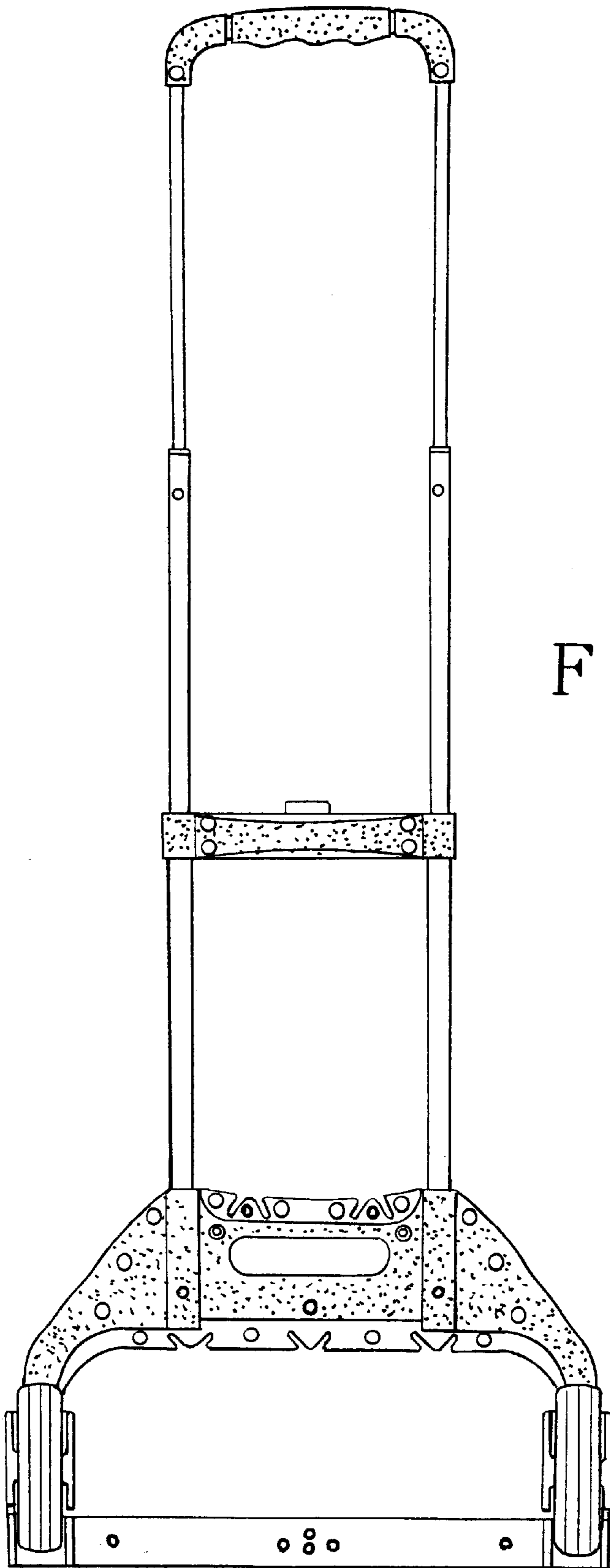


FIG. 3

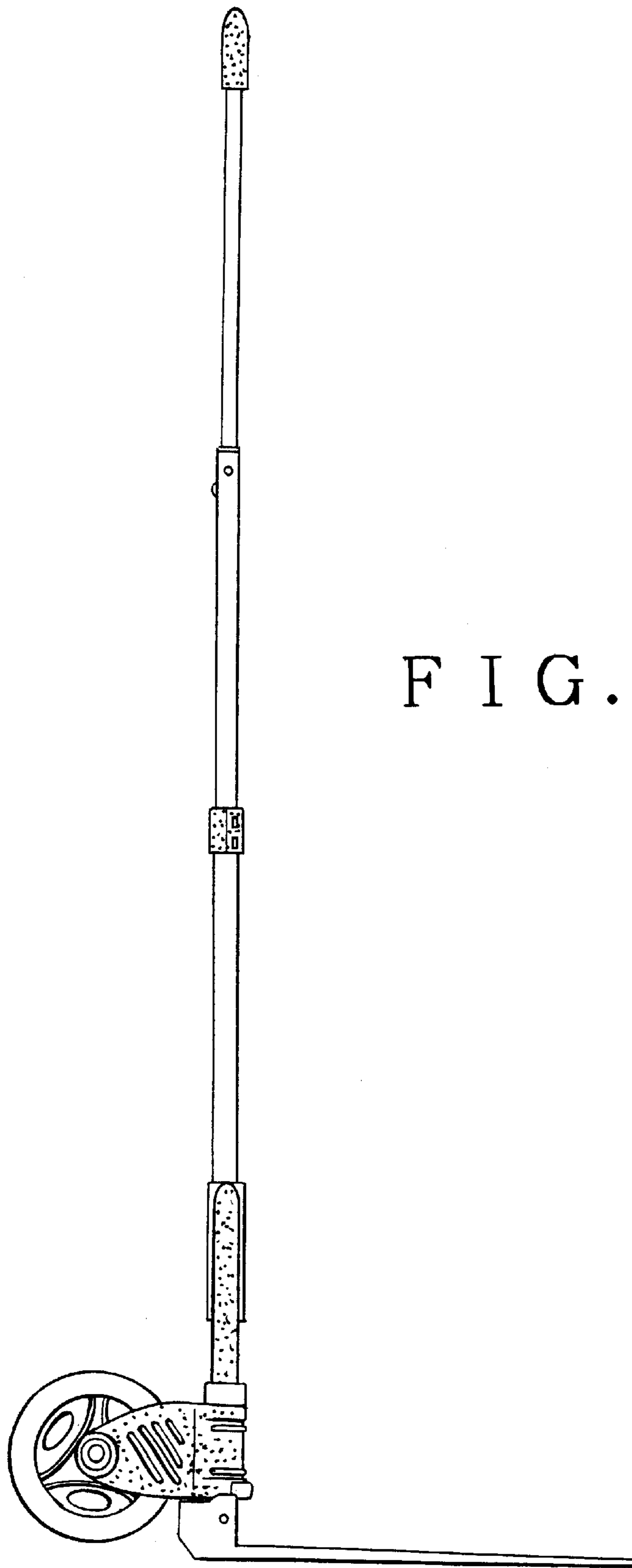
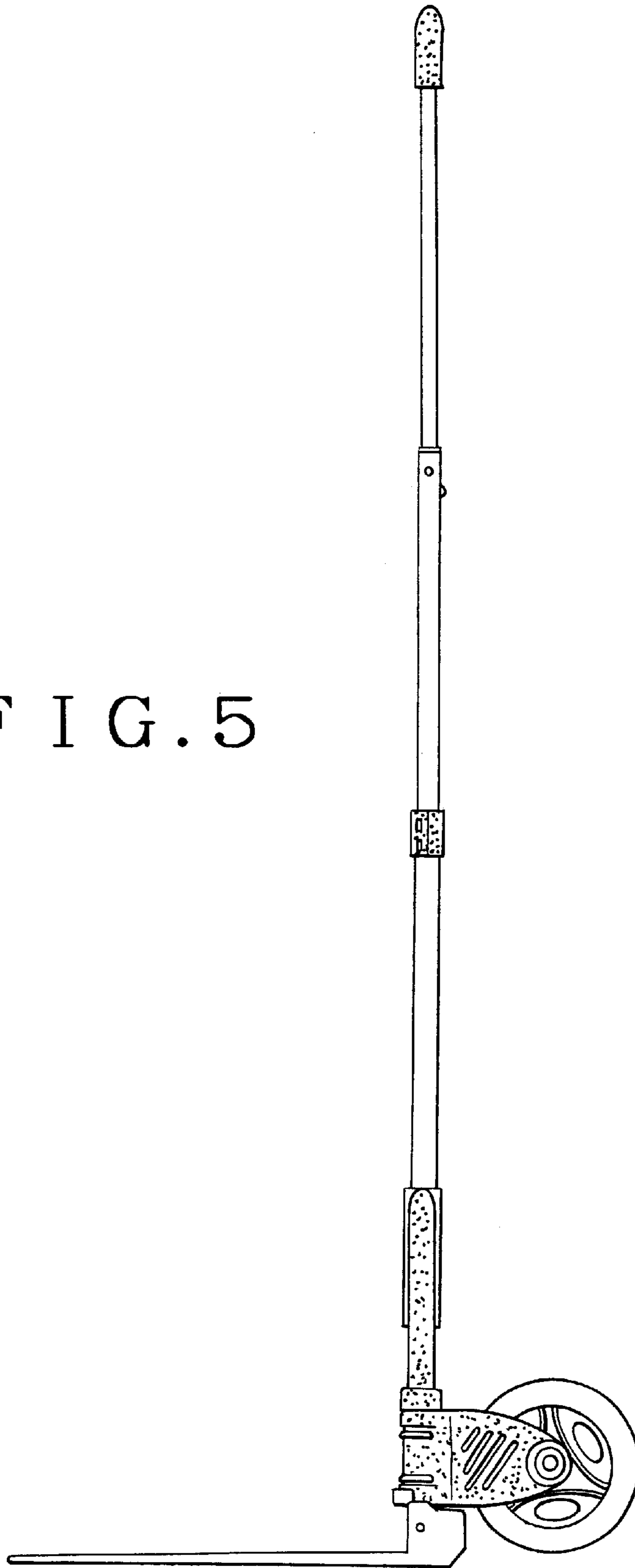


FIG. 4

FIG. 5



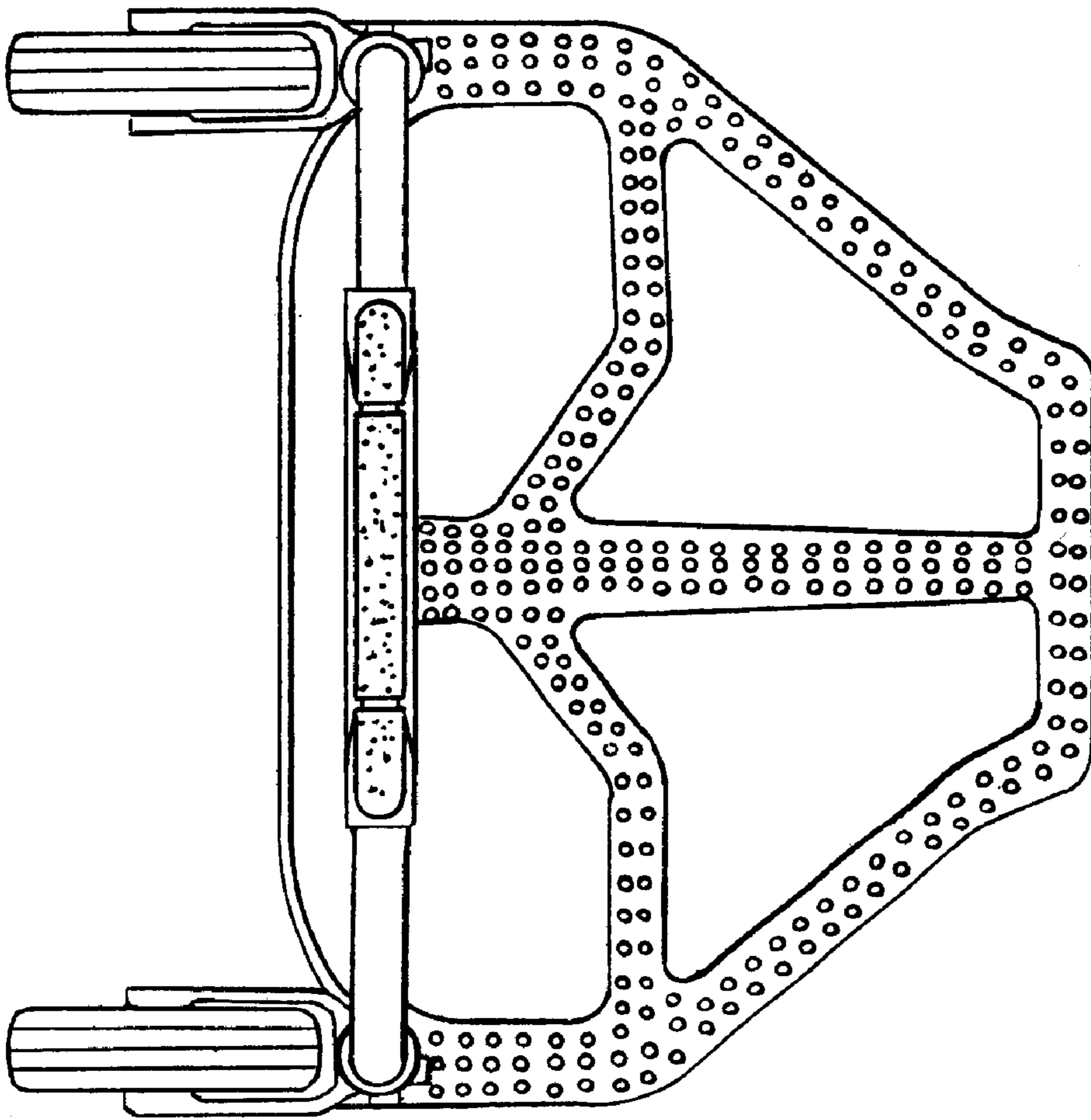


FIG. 6

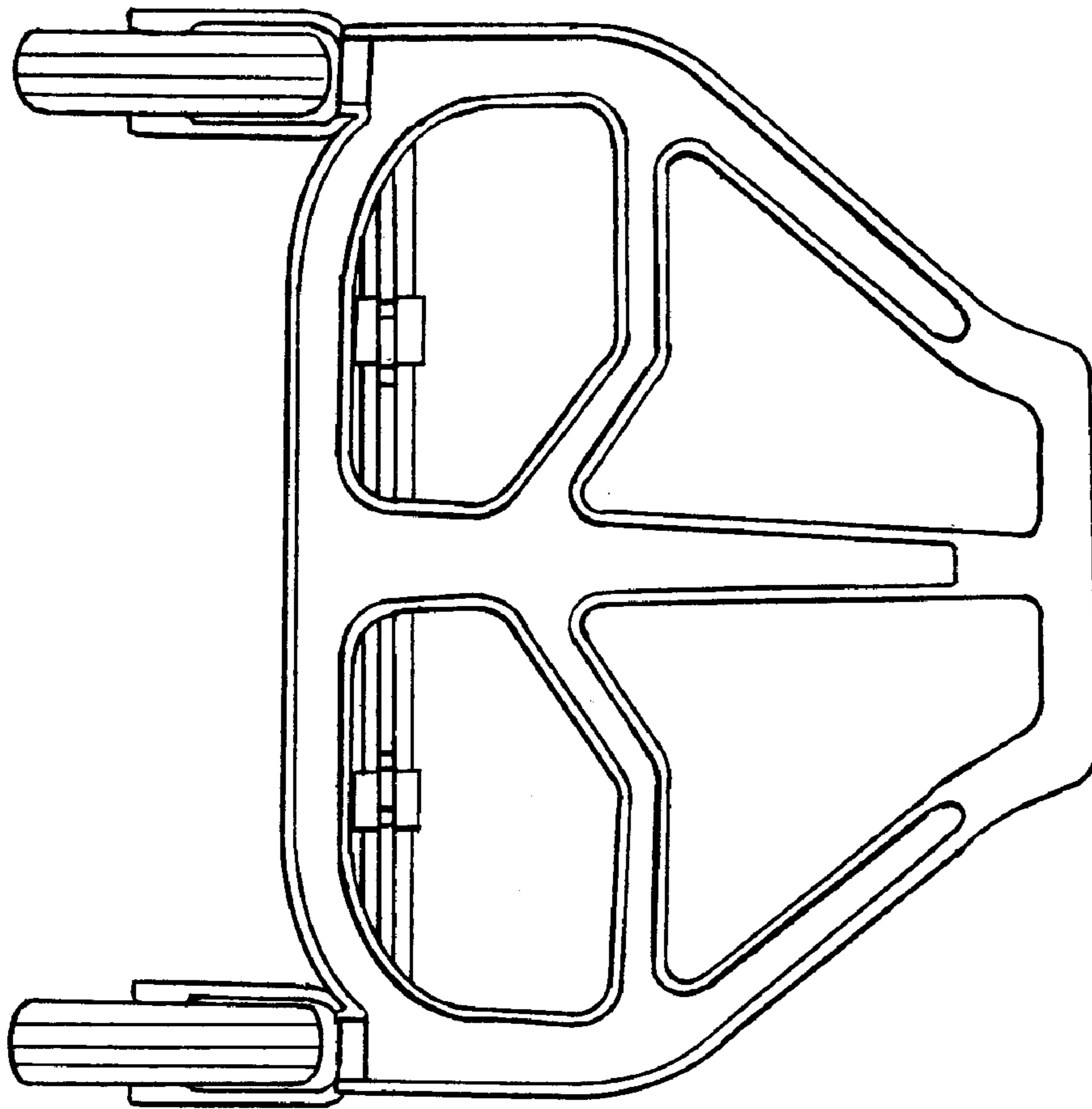


FIG. 7

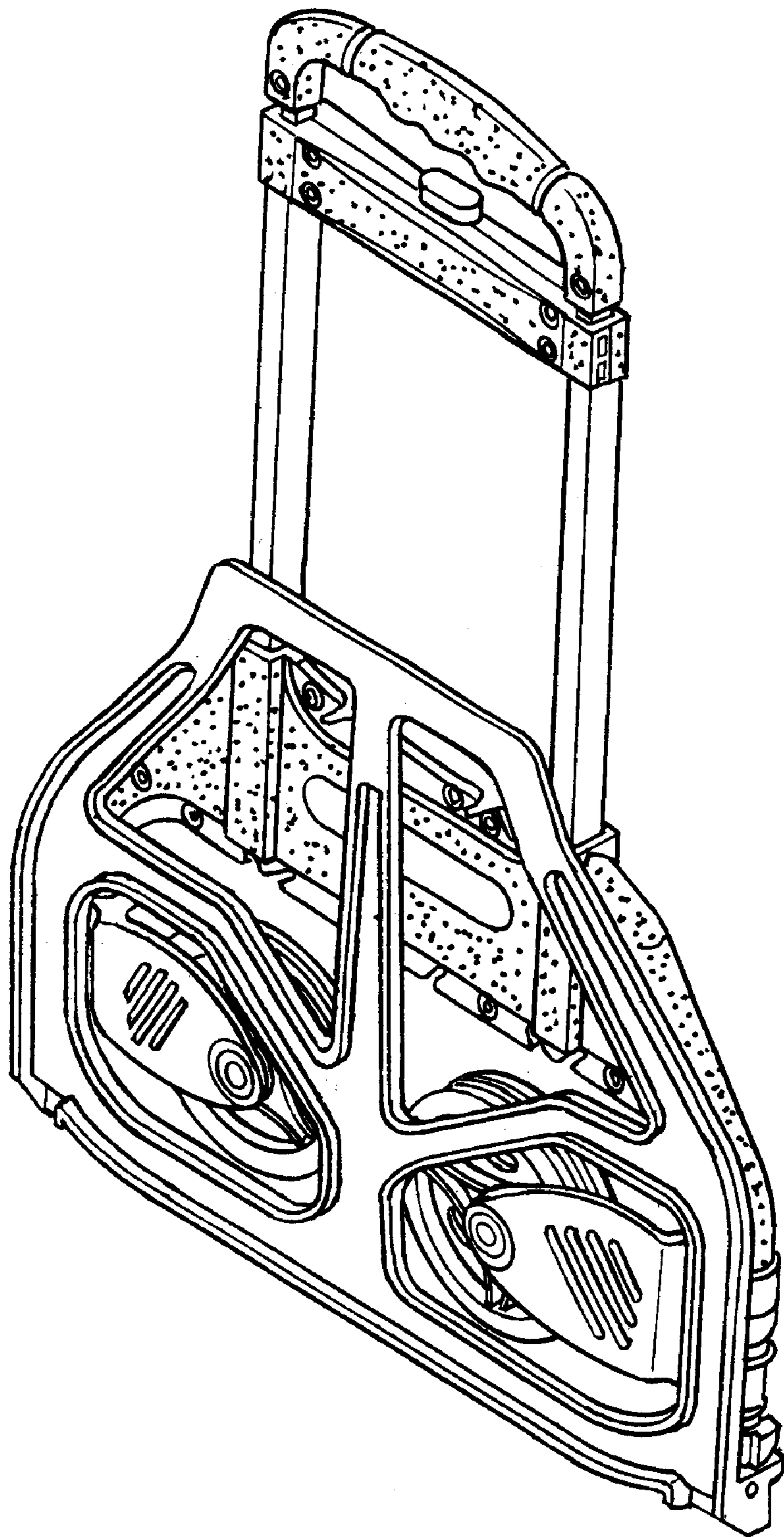


FIG. 8