



US00D46880S

(12) **United States Design Patent**  
**Porter**

(10) **Patent No.:** **US D468,880 S**

(45) **Date of Patent:** **\*\* Jan. 14, 2003**

(54) **CART**

(75) **Inventor:** **Terril Porter**, Richmond, VA (US)

(73) **Assignee:** **Rehrig International Inc.**, Richmond, VA (US)

(\*\*) **Term:** **14 Years**

(21) **Appl. No.:** **29/150,661**

(22) **Filed:** **Nov. 28, 2001**

(51) **LOC (7) Cl.** ..... **12-02**

(52) **U.S. Cl.** ..... **D34/17; D12/129**

(58) **Field of Search** ..... **D34/12-27, 129; 280/33.991-33.998, 47.35, 79.11**

(56) **References Cited**

**U.S. PATENT DOCUMENTS**

- D240,297 S \* 6/1976 Trubiano ..... D12/129
- D331,135 S \* 11/1992 Lewandowski et al. .... D34/18
- D360,393 S \* 7/1995 Lewandowski ..... D12/129

- D366,546 S \* 1/1996 Schaub et al. .... D34/20
- D386,873 S \* 11/1997 Langlois D'Estaintot et al. .... D34/21

\* cited by examiner

*Primary Examiner*—Kay H. Chin

(74) *Attorney, Agent, or Firm*—McGuire Woods LLP

(57) **CLAIM**

The ornamental design for a cart, as shown and described.

**DESCRIPTION**

FIG. 1 is a side perspective view of a cart showing my new design;

FIG. 2 is a top plan view thereof;

FIG. 3 is a rear elevation view thereof;

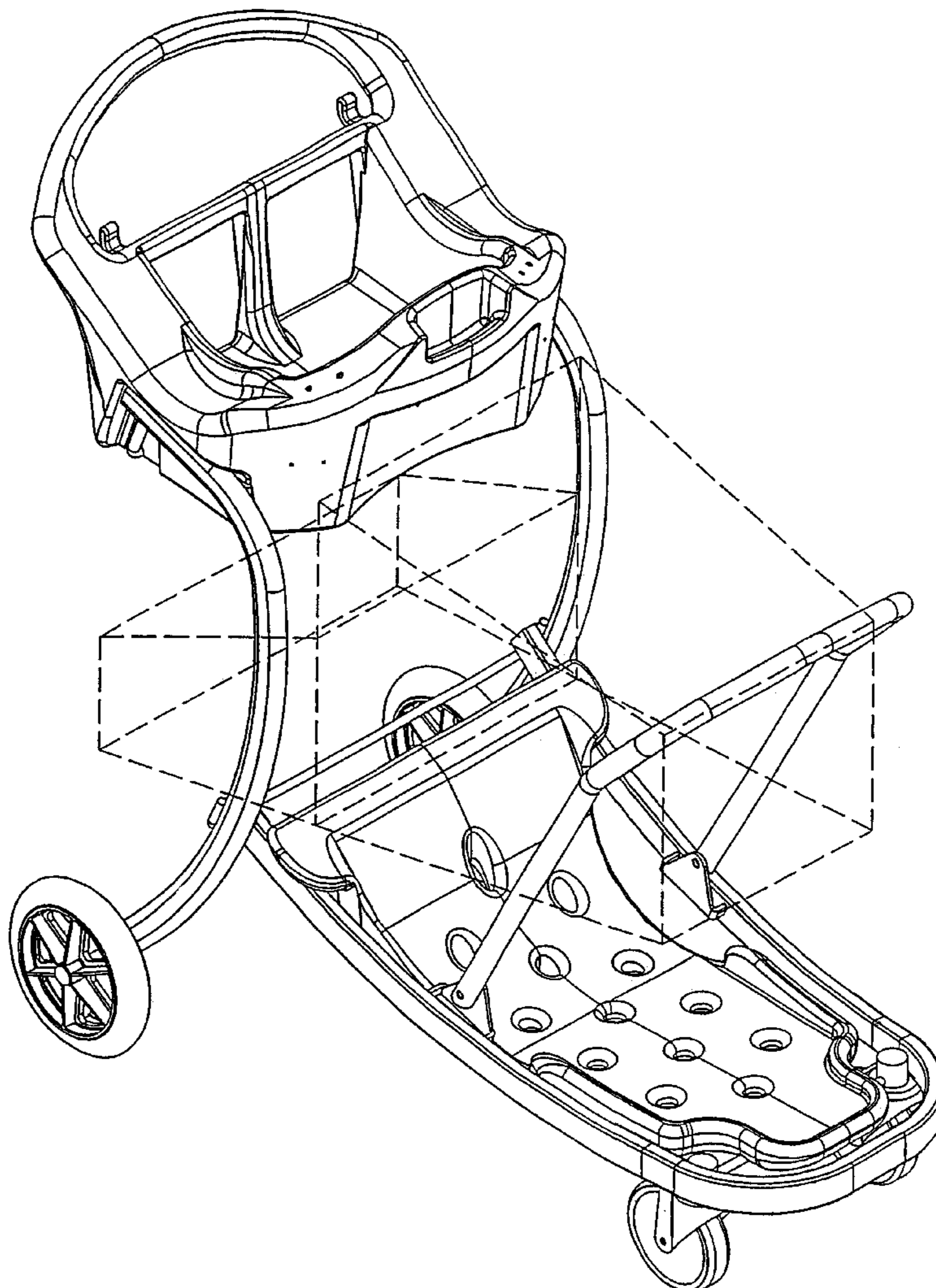
FIG. 4 is a side elevation view thereof;

FIG. 5 is a front elevation view thereof; and,

FIG. 6 is a bottom plan view thereof.

The broken line shown in FIGS. 1-6 are for illustrative purposes only and forms no part of the claimed design.

**1 Claim, 6 Drawing Sheets**



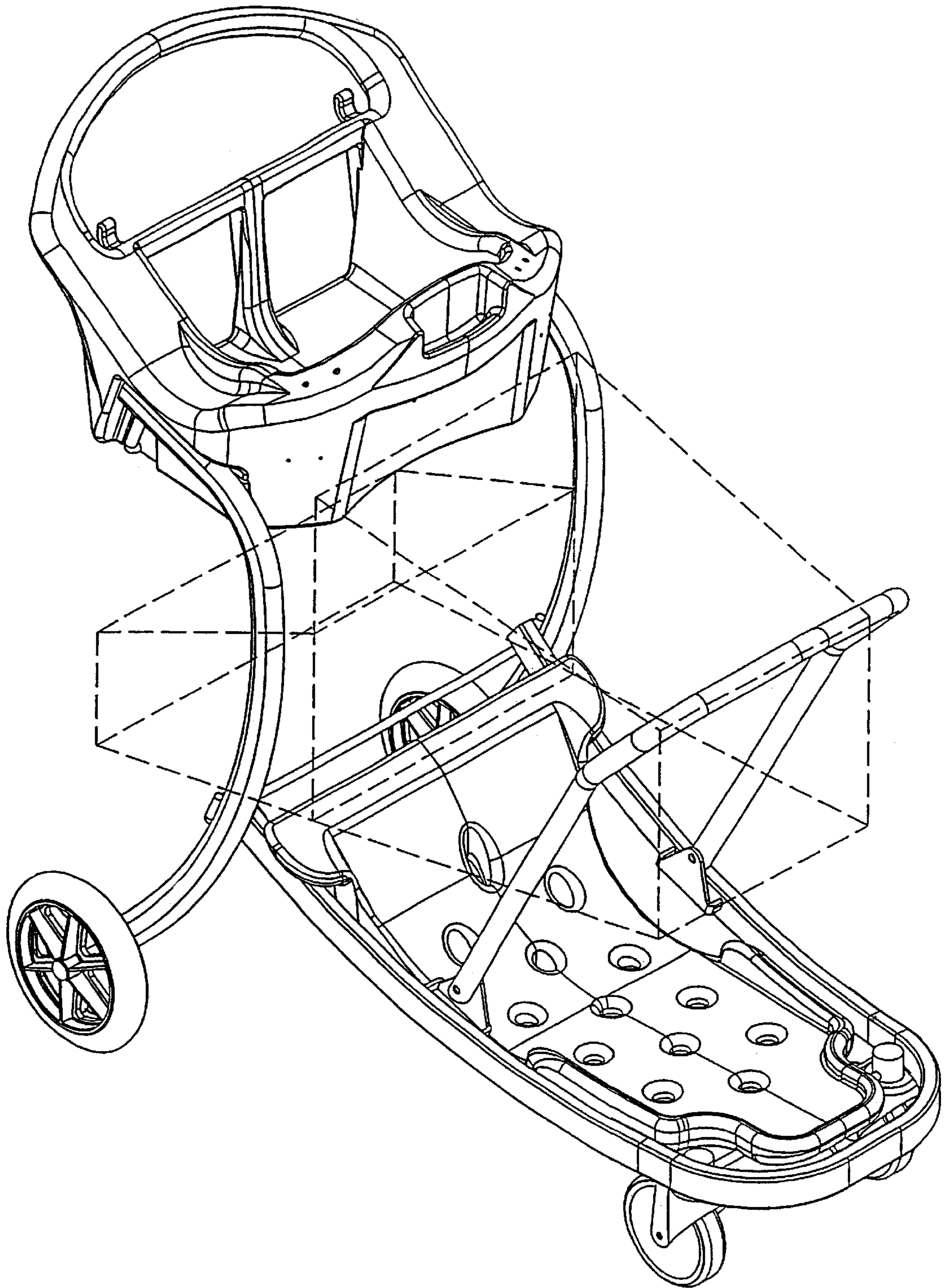
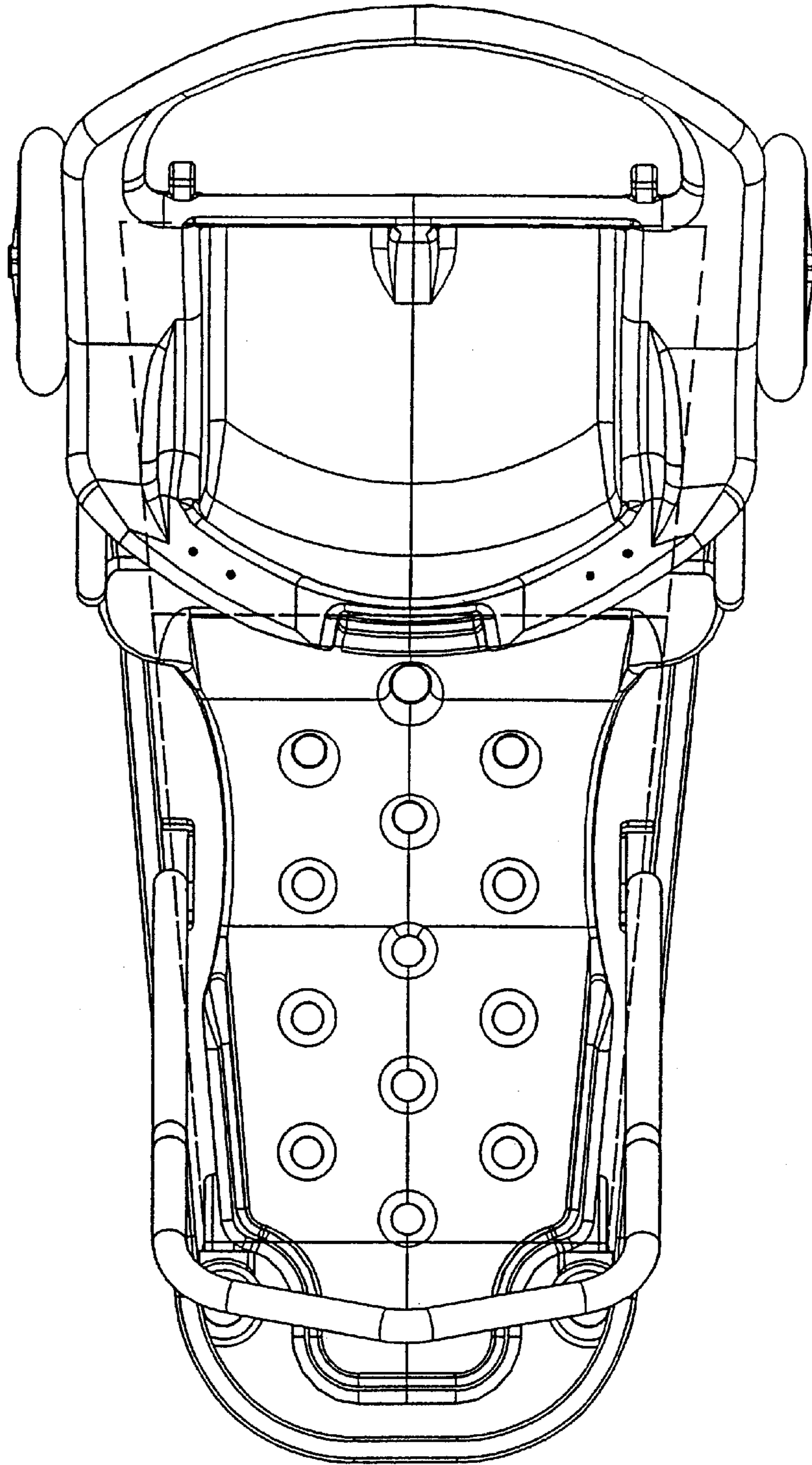
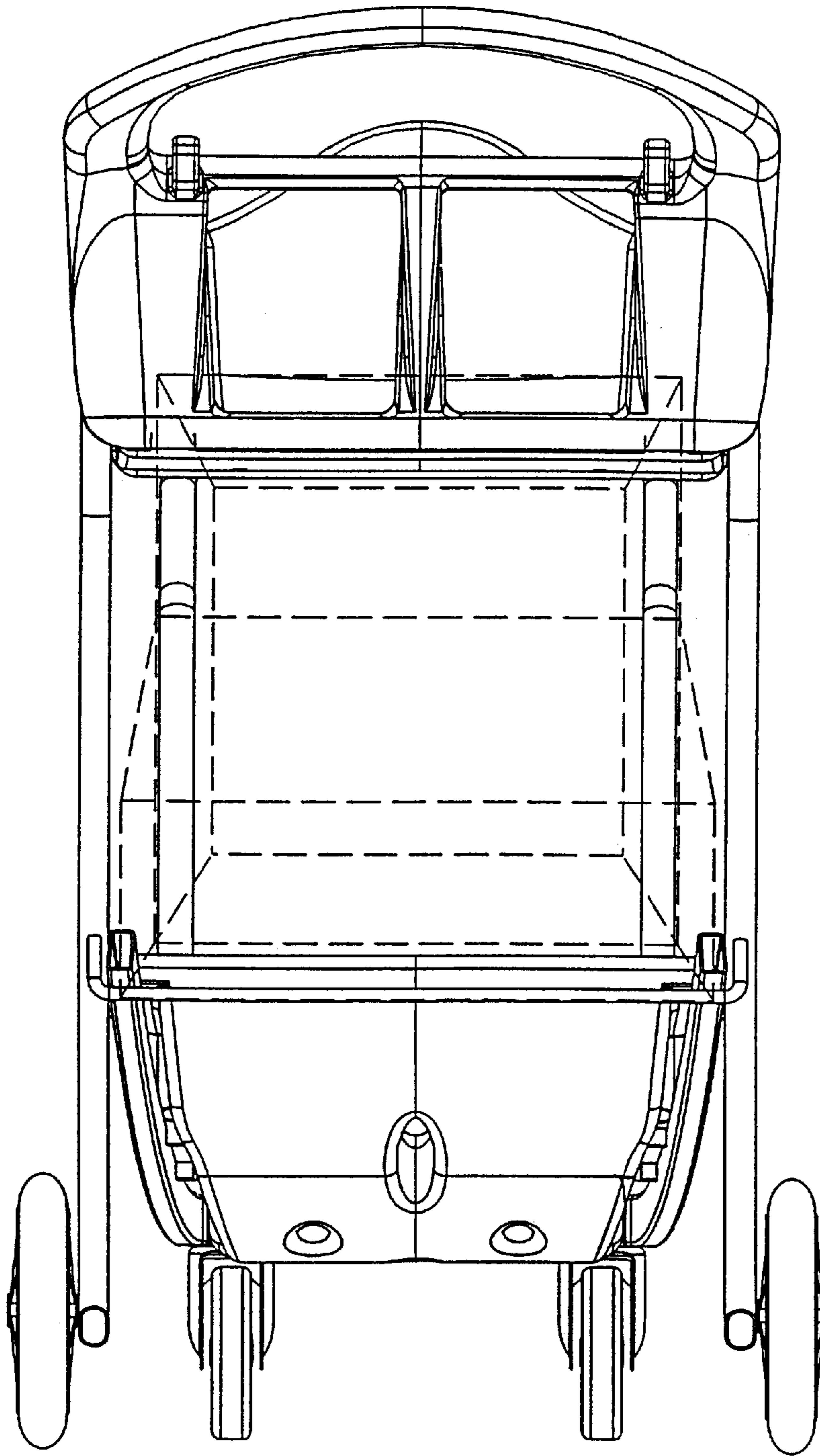


FIG. 1



**FIG. 2**



**FIG. 3**

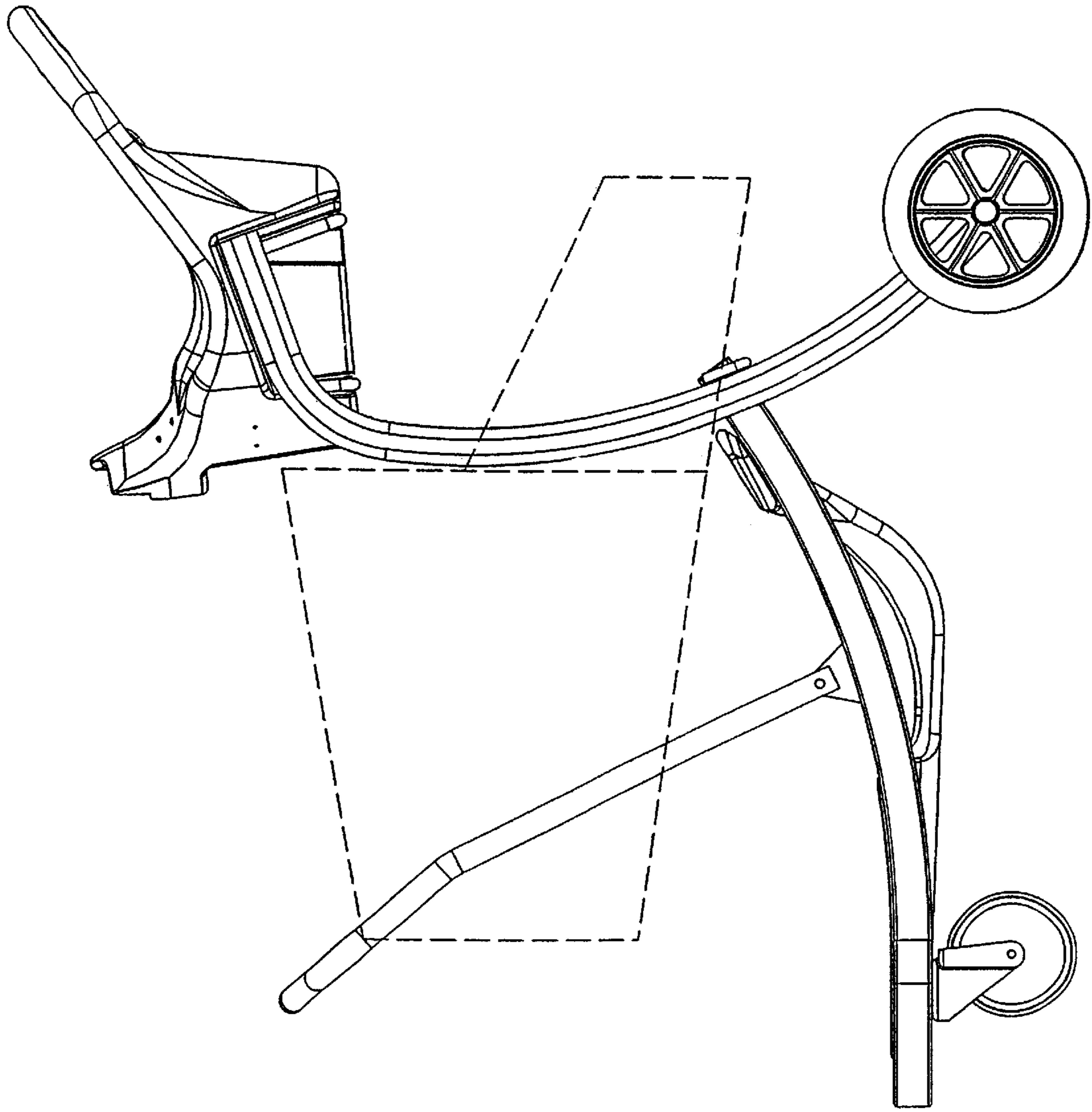
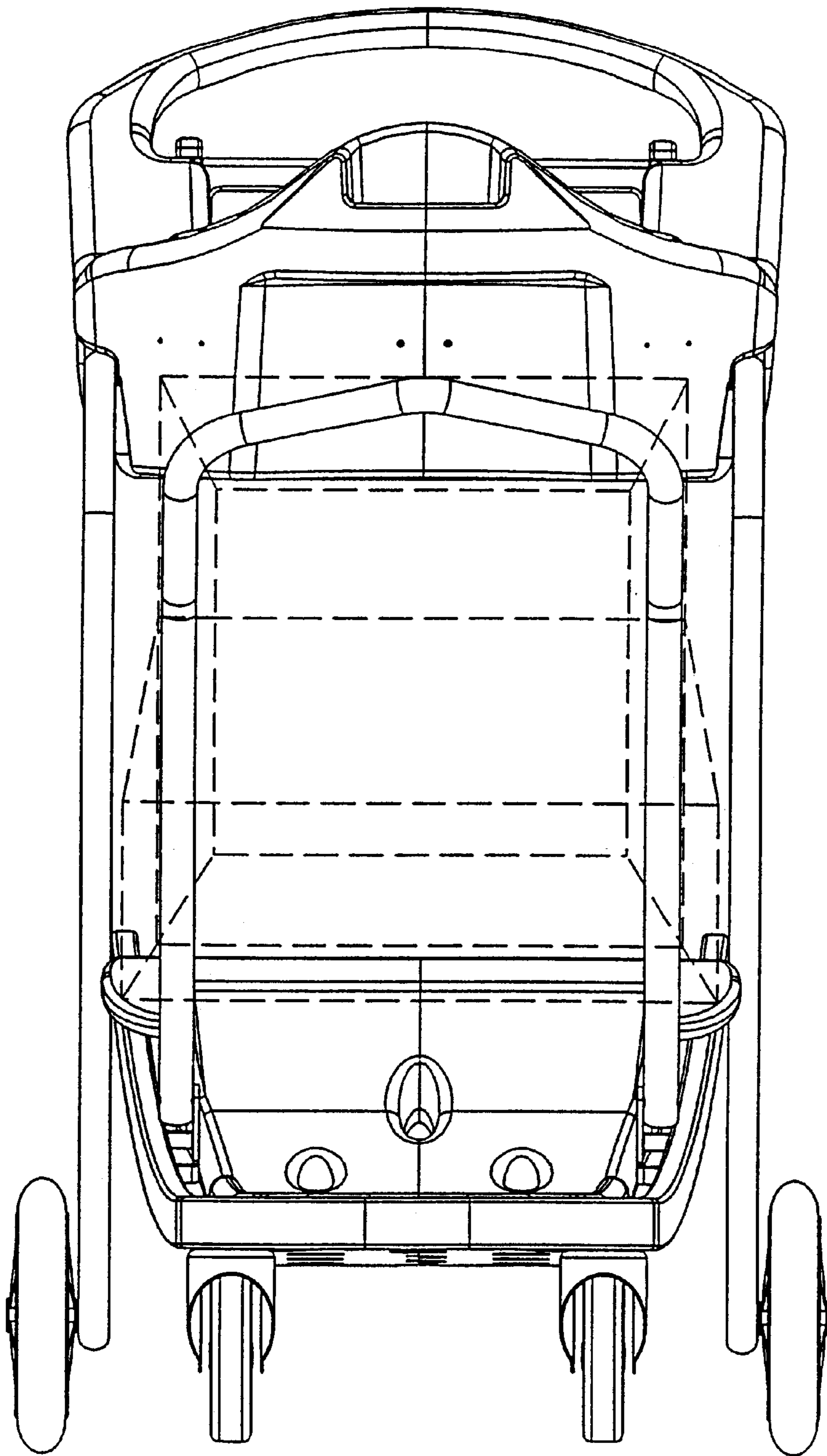
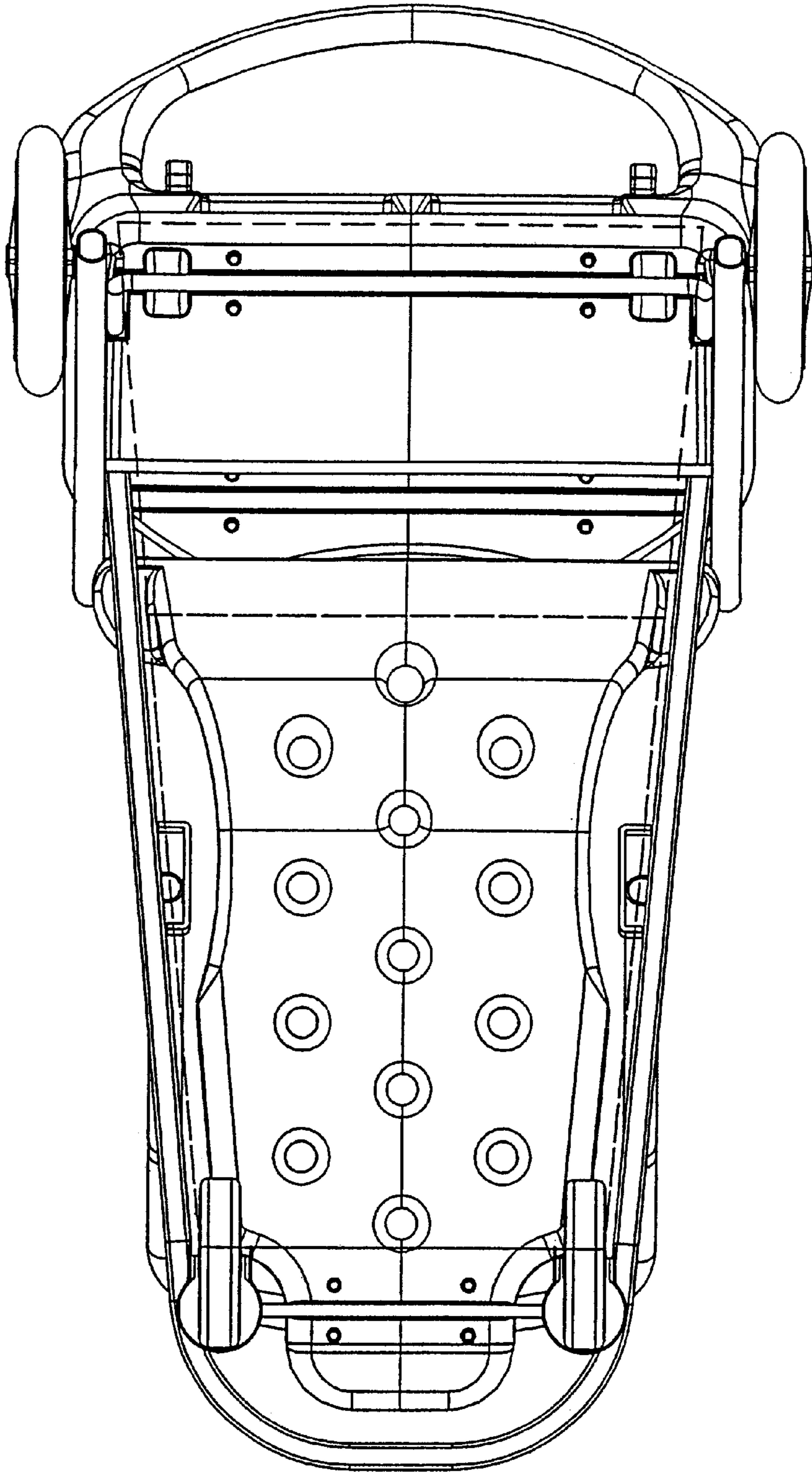


FIG. 4



**FIG. 5**



**FIG. 6**