



US00D468879S

(12) **United States Design Patent**
Perelli

(10) **Patent No.:** **US D468,879 S**

(45) **Date of Patent:** **** Jan. 14, 2003**

(54) **DUST PAN WITH WEAR REDUCING MEMBERS**

(75) **Inventor:** **Thomas Perelli, Winchester, VA (US)**

(73) **Assignee:** **Rubbermaid Commercial Products LLC, Winchester, VA (US)**

(**) **Term:** **14 Years**

- 4,631,774 A 12/1986 Kania
- 4,686,734 A 8/1987 Kahan
- 4,709,440 A 12/1987 Conelly
- 4,795,046 A 1/1989 Rath
- 4,823,422 A 4/1989 Yoshimura et al.
- 4,878,261 A 11/1989 Rosendall
- 5,012,542 A 5/1991 Lynn
- 5,020,185 A 6/1991 Hoefler
- 5,343,589 A 9/1994 Davenport
- 5,412,835 A 5/1995 Vosbikian et al.

(21) **Appl. No.:** **29/160,482**

(22) **Filed:** **May 13, 2002**

(List continued on next page.)

Related U.S. Application Data

(62) Division of application No. 29/130,586, filed on Oct. 5, 2000.

(51) **LOC (7) Cl.** **07-05**

(52) **U.S. Cl.** **D32/74**

(58) **Field of Search** D32/74; 15/257.3, 15/257.1, 257.4, 257.8, 257.9

FOREIGN PATENT DOCUMENTS

JP 9187412 7/1997

OTHER PUBLICATIONS

Continental, Sanitary Maintenance Equipment and Supplies, "Sweepers & Dust Pans", p. 16.

(List continued on next page.)

Primary Examiner—Cynthia E. Ramirez
(74) *Attorney, Agent, or Firm*—Foley & Lardner

(56) **References Cited**

U.S. PATENT DOCUMENTS

- 956,968 A * 5/1910 Hubert 15/257.4
- 978,724 A * 12/1910 Folsom et al. 15/257.4
- 1,082,128 A * 12/1913 Low 15/257.8
- 1,135,519 A * 4/1915 Haldenwang 15/257.9
- 1,484,725 A * 2/1924 Lewis 15/257.4
- 1,605,534 A * 11/1926 Dupre 15/257.4
- 1,645,806 A * 10/1927 Fries 15/257.1
- 2,176,135 A * 10/1939 Horst 15/257.4
- 2,263,177 A * 11/1941 Lewis 15/257.1
- 2,399,850 A * 5/1946 Benskin 15/257.4
- 3,861,730 A * 1/1975 Ringo 15/257.1
- 3,971,095 A 7/1976 Fish, Sr.
- 4,050,110 A 9/1977 Donnelly
- 4,084,283 A 4/1978 Rosendall
- 4,124,913 A 11/1978 Rosendall
- 4,193,624 A 3/1980 Kerr
- 4,325,156 A 4/1982 Rosendall
- 4,357,727 A 11/1982 McDowell
- 4,498,207 A 2/1985 Rosendall
- 4,562,611 A 1/1986 Marttinen

(57) **CLAIM**

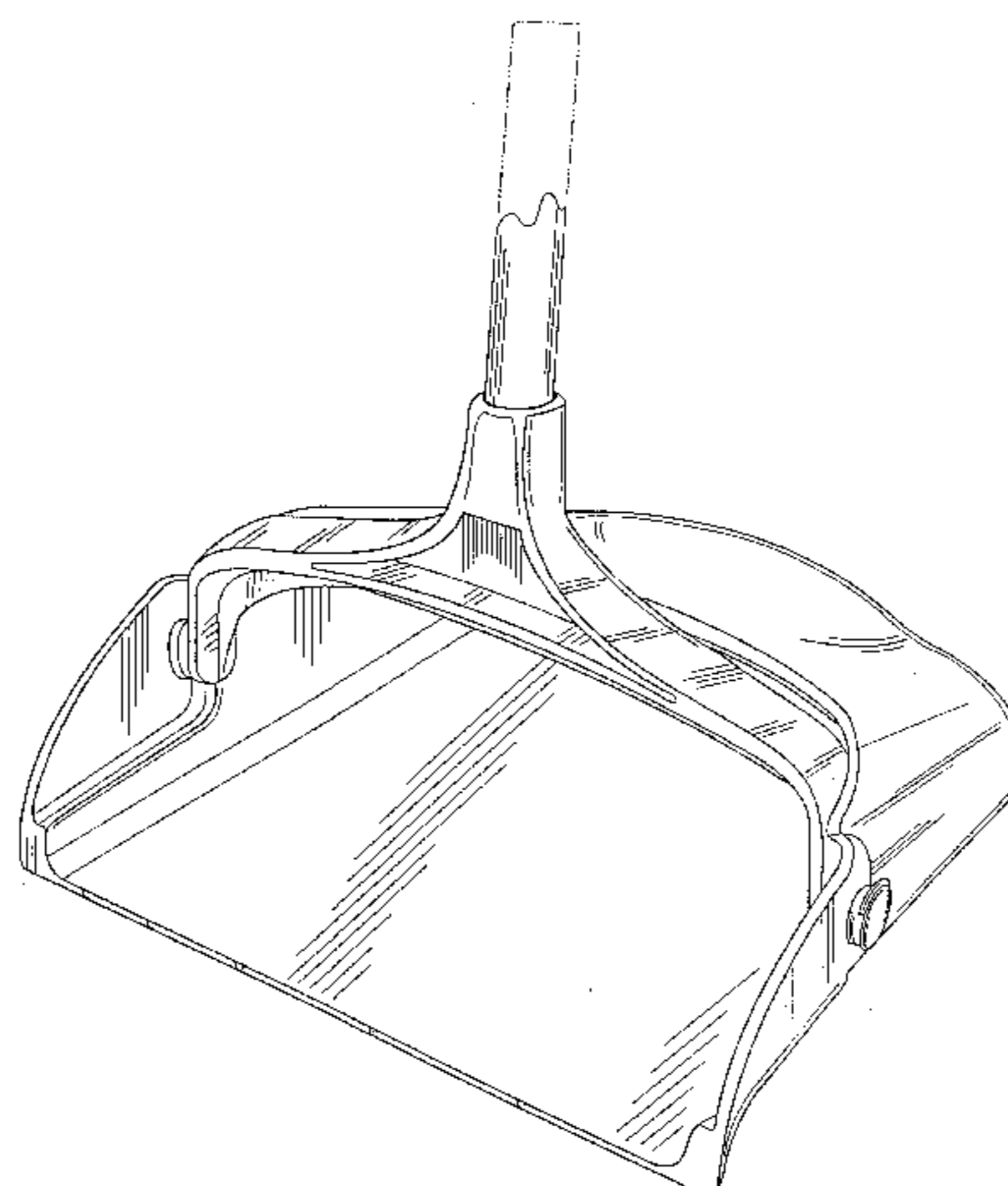
The ornamental design for a dust pan with wear reducing members, as shown and described.

DESCRIPTION

FIG. 1 is a frontal perspective view of the dust pan with wear reducing members;
FIG. 2 is a rearward perspective view of the lobby dust pan;
FIG. 3 is a left side view of the base, the right side view is the mirror image;
FIG. 4 is a front side view of the base;
FIG. 5 is a back side view of the base;
FIG. 6 is a top side view of the base; and,
FIG. 7 is a bottom side view of the base.

The ornamental design which is claimed is shown in solid lines in the drawings. The broken lines in the drawings are for illustrative purposes only and form no part of the claimed design.

1 Claim, 7 Drawing Sheets



U.S. PATENT DOCUMENTS

5,425,153	A	6/1995	Vosbikian	
5,437,078	A	8/1995	Courcelles	
5,457,844	A	10/1995	Hanna et al.	
D367,745	S	3/1996	Feldman et al.	
5,502,871	A	4/1996	Reyes	
5,588,174	A	12/1996	Godfrey	
5,594,975	A	1/1997	Christen	
D383,002	S	* 9/1997	Rigney	D32/74
5,799,993	A	9/1998	Lafferty	
D402,780	S	12/1998	Alt	
5,970,558	A	10/1999	Canavan	
6,052,860	A	4/2000	Coxsey	
D427,739	S	7/2000	Denmore	
6,233,780	B1	* 5/2001	Mead	15/257.3
6,282,745	B1	* 9/2001	Alt	15/257.4

OTHER PUBLICATIONS

Caddie, Services Généraux, "Pelle debout", p. 36.
 Continental, Sanitary Maintenance Equipment and Supplies, "Self-closing Lobby Dust Pans", p. 21, 1984.
 Ex-Cell Metal Products, Inc., "Dust Pans", pp. 6-7, 1993-94.
 Cleaning & Maintenance Ware—Catalog.
 Impact Products, Maintenance Supplies, "L Grip Lobby Dust Pan", p. 23, Jul. 1998.

Felmar Industrias LTDA, "Extra Heavy-Duty Dust Pan".
 Wilen Manufacturing Co., Inc., Circle 26, Maintenance Supplies "Lobby Dust Pans", p. 20, Jul. 1997.
 White Mop Wringer Company, "Plastic Dust and Lobby Pans", "Metal Dust and Lobby Pans", p. 12, Jan. 1995.
 White Price List, "Dust Pans", "Lobby Pans", p. 7, Apr. 1988.
 "Upright Dustpan and Brush", p. 85.
 Cleaning & Maintenance Management, Impact, Floor Care Products, "Lobbymaster Dust Pan", "Floor Guard", Oct. 1998.
 "Utility Dust Pan", "Jumbo Dust Pan", "Lobby Dust Pans", p. 43.
 White Mop Wringer Company, Distributor List Prices, Floor Mopping Equipment and Maintenance Accessories, "Hooded" Dust Pan, "Lobby" Dust Pan, "Pick-up" Dust Pan, Feb. 1977.
 Industrias Felmar LTDA. Catalog, Extra Heavy-Duty Dust Pan; CAT 08-1992.
 Cleaning & Maintenance Ware, C-227, Japan.
 Tecno Trolley System Catalog, The Paddy.
 * cited by examiner

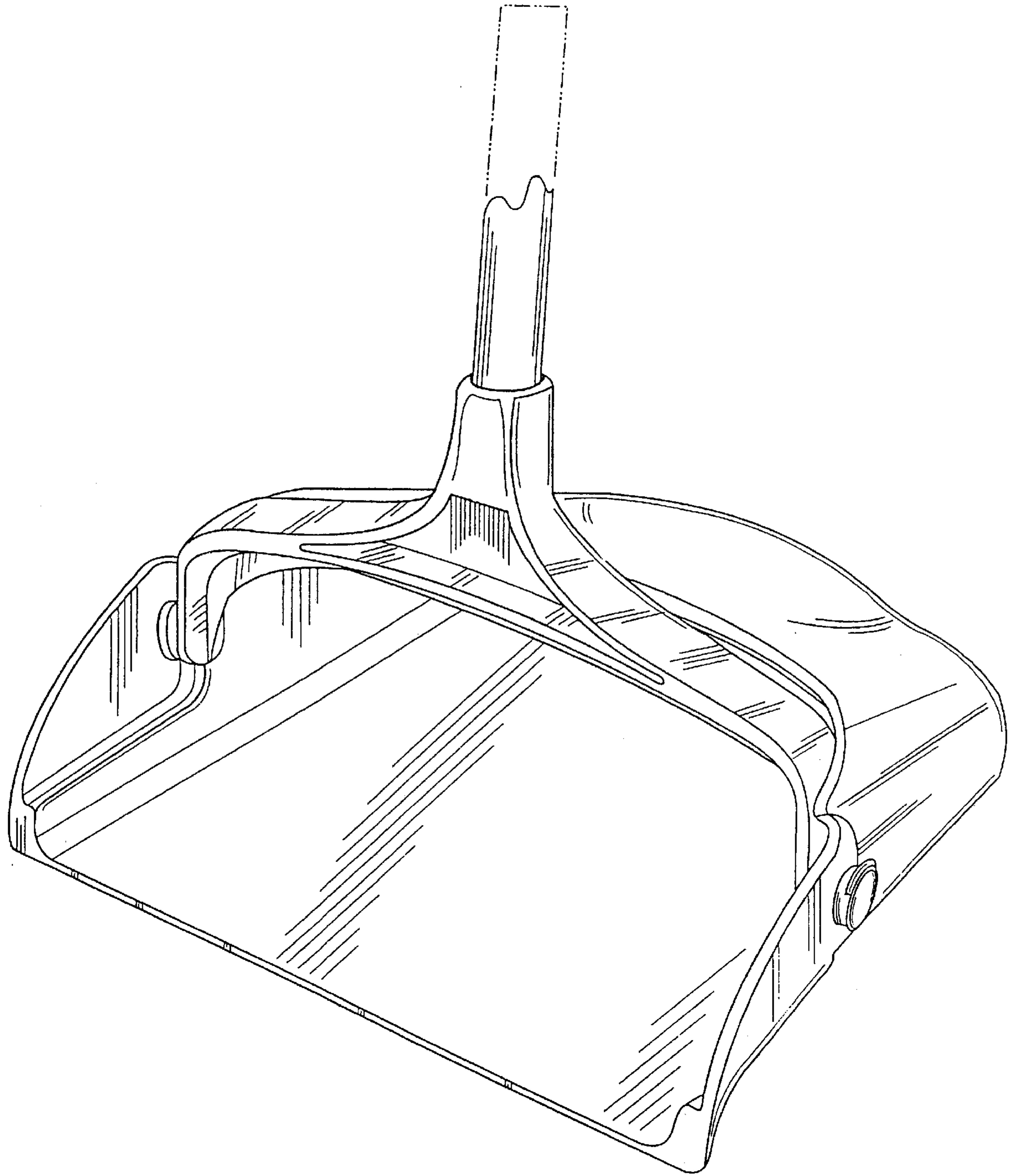


FIG. 1

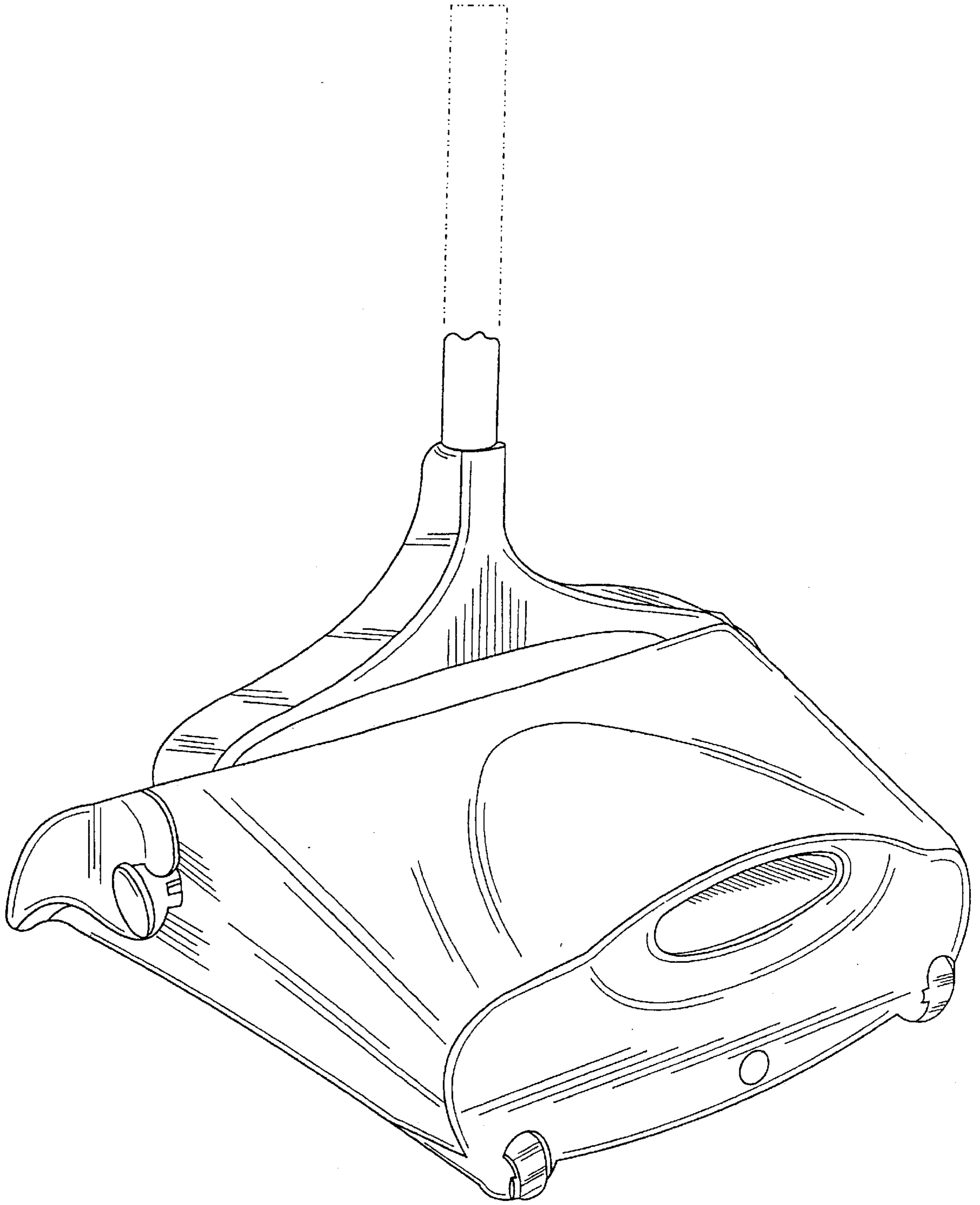


FIG. 2

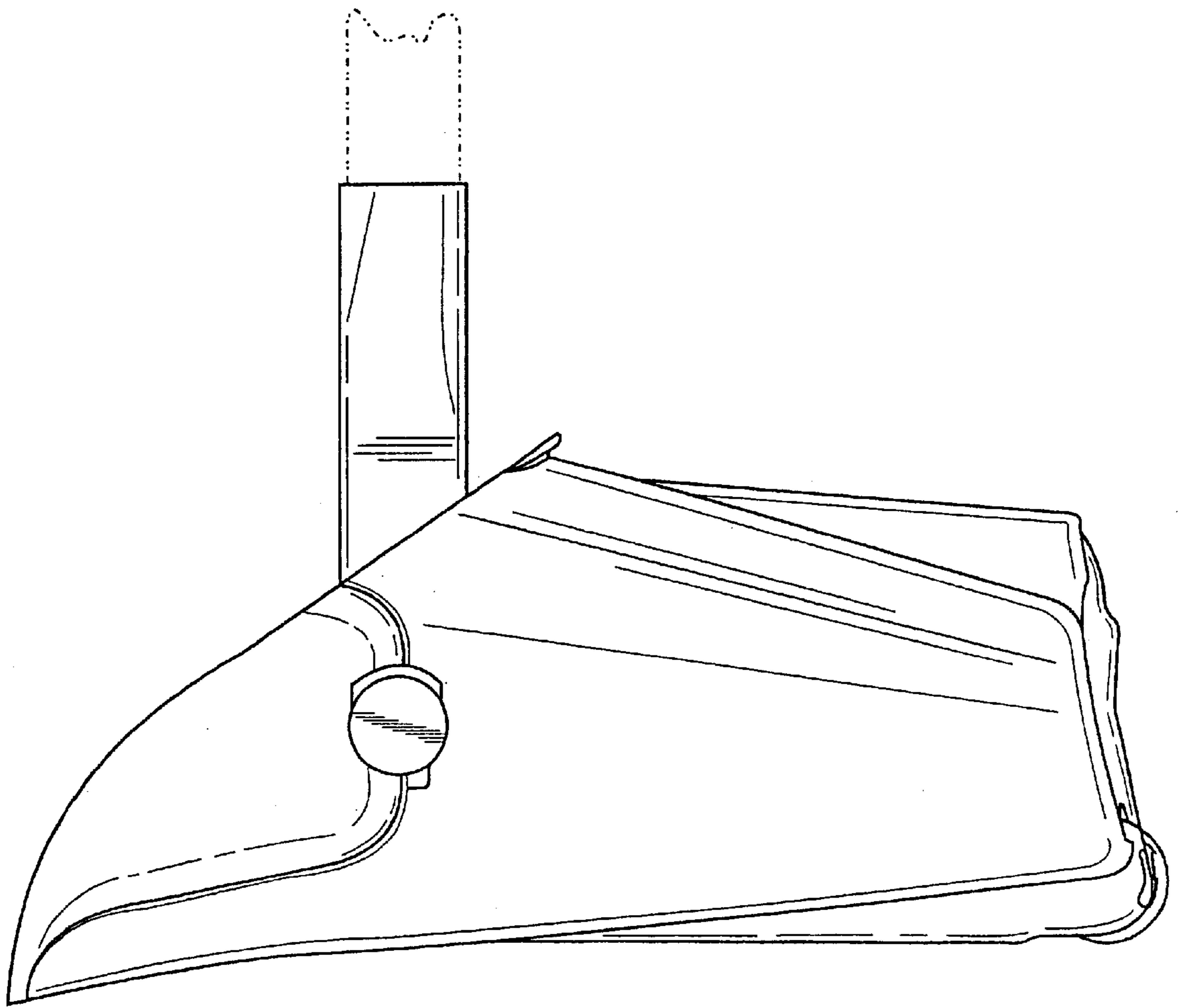


FIG. 3

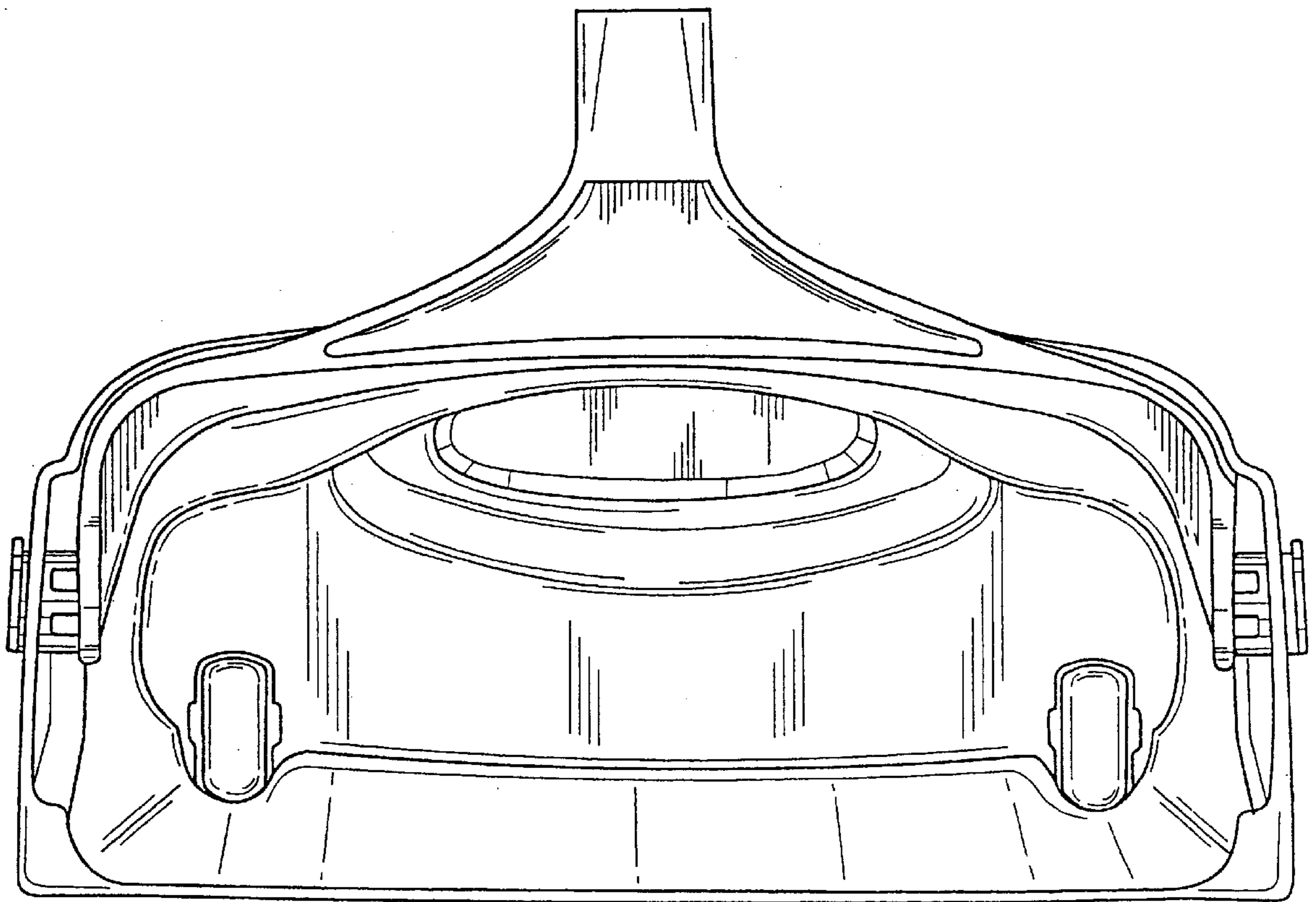


FIG. 4

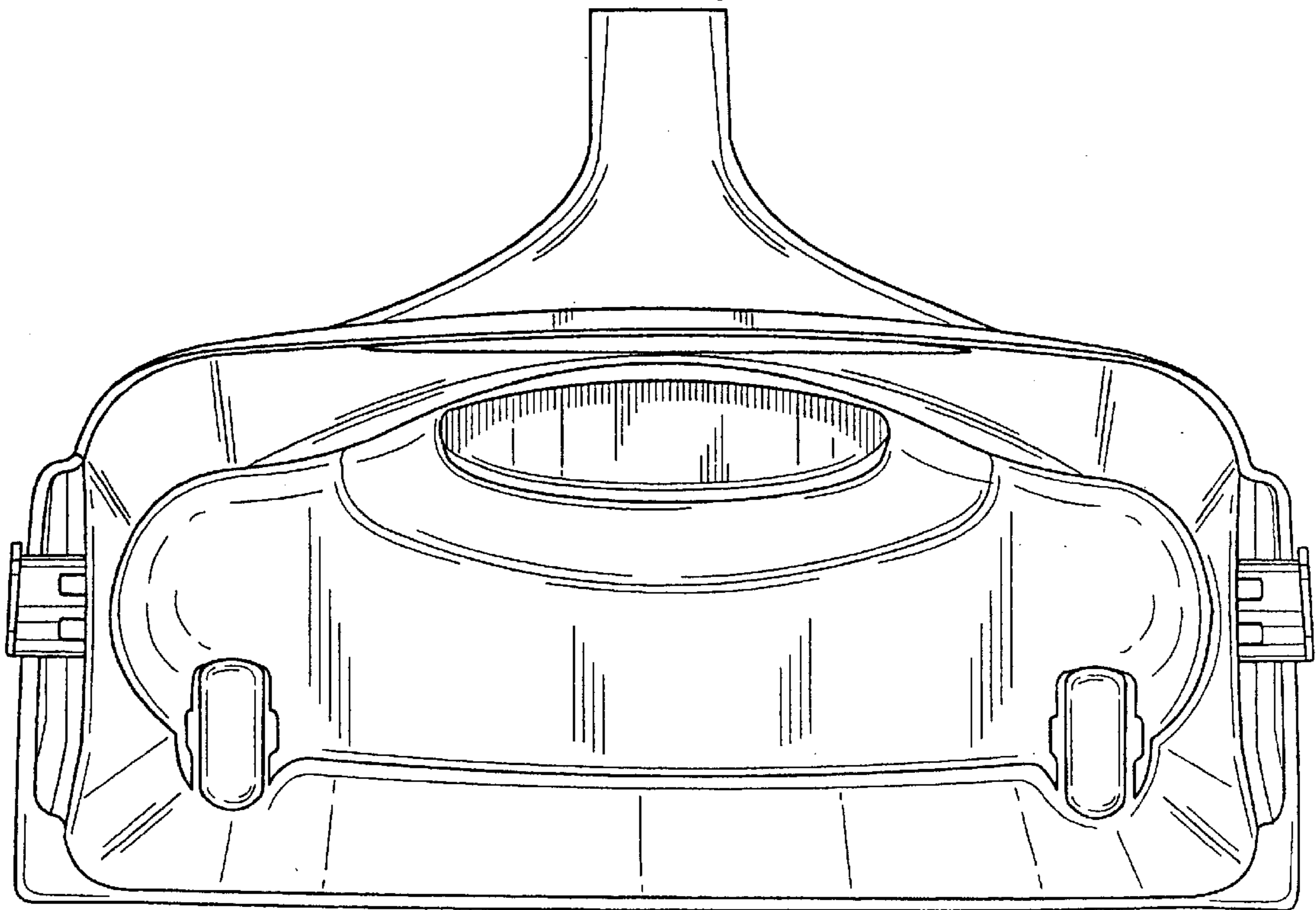


FIG. 5

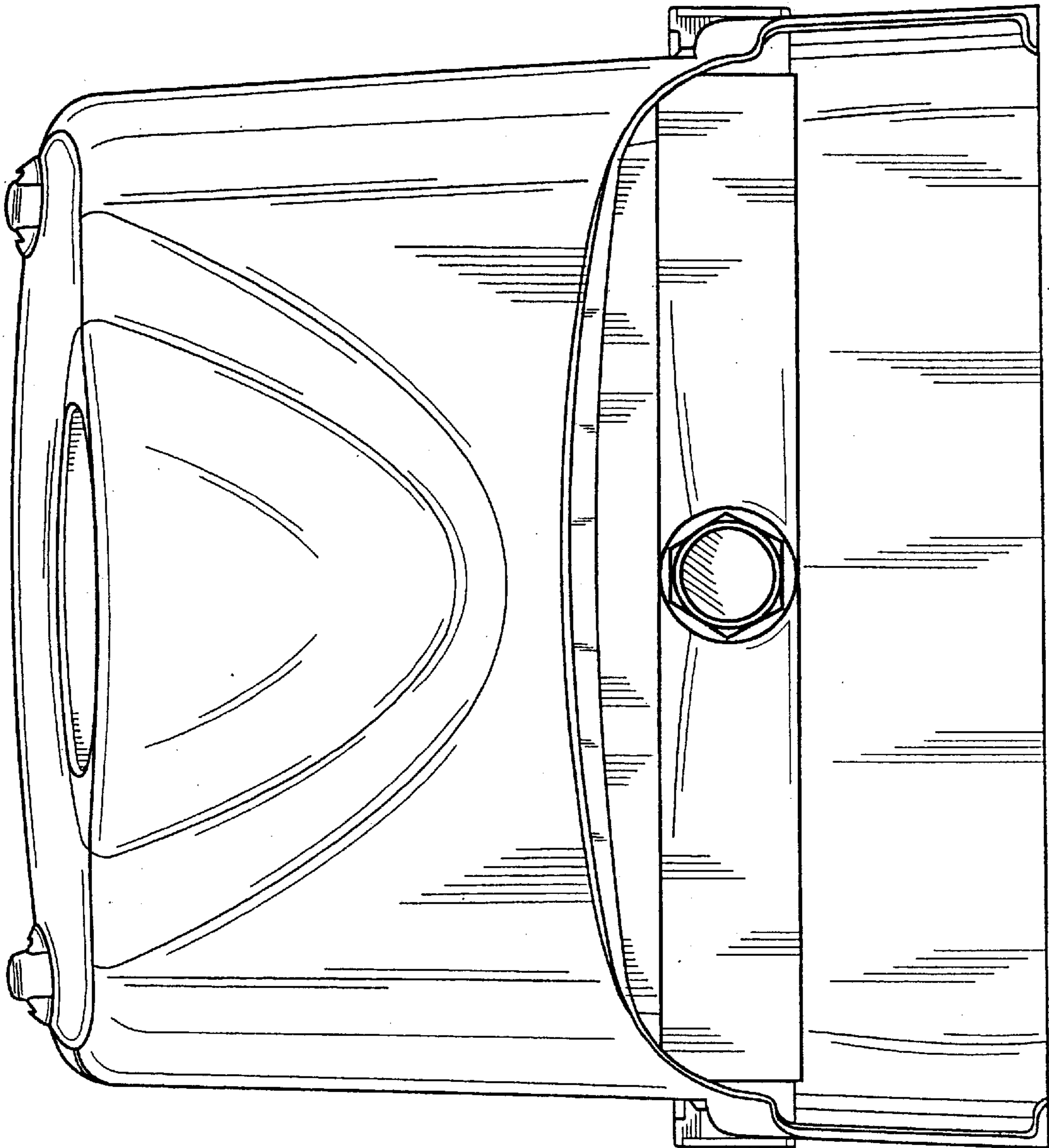


FIG. 6

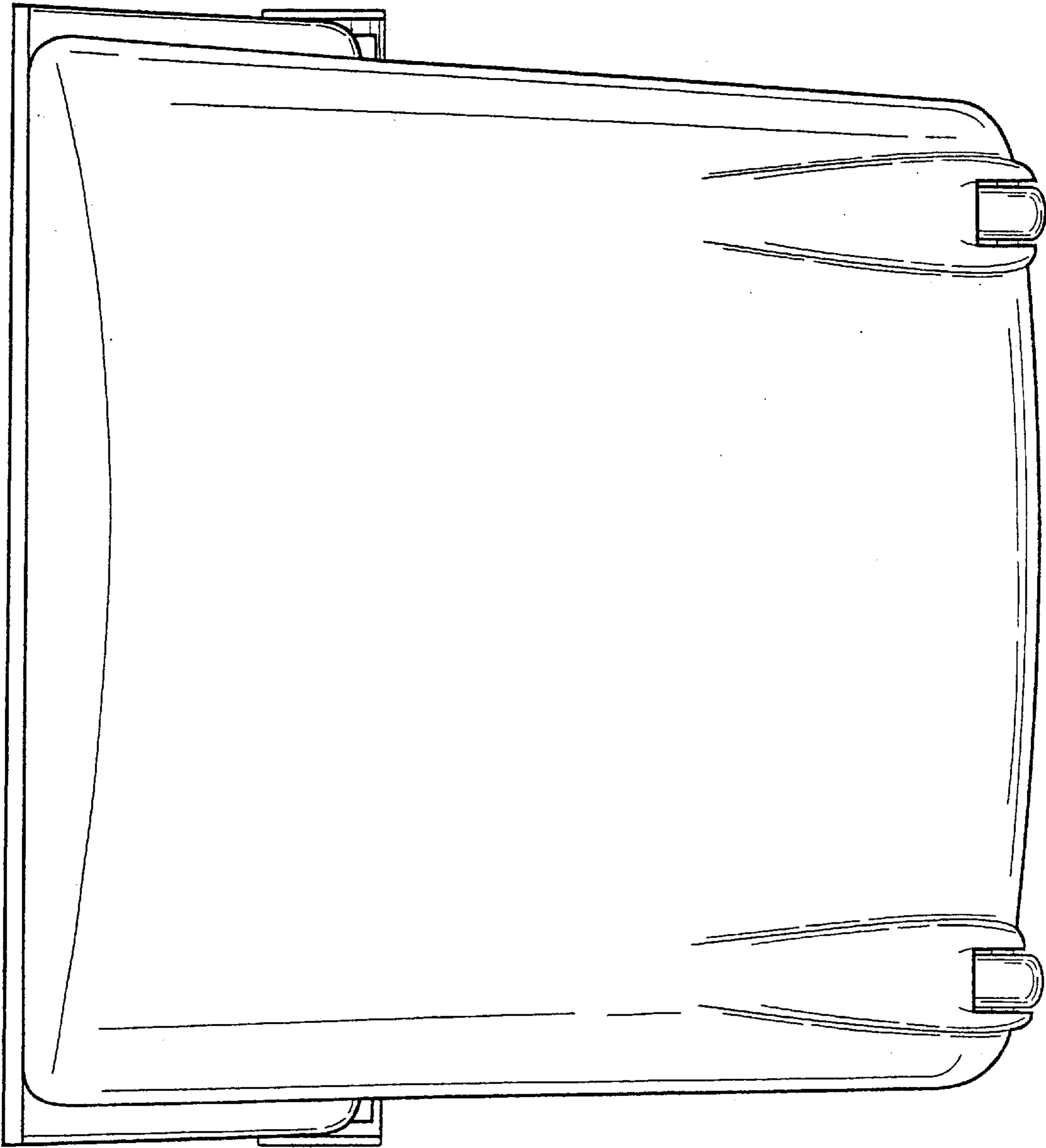


FIG. 7