



US00D468878S

(12) **United States Design Patent**
Reede

(10) **Patent No.:** **US D468,878 S**
(45) **Date of Patent:** **** Jan. 14, 2003**

(54) **FLOOR SCRUBBER**

(76) Inventor: **Dwayne E. Reede**, 22 Jefferson St.,
Norwalk, CT (US) 06851

(**) Term: **14 Years**

(21) Appl. No.: **29/137,369**

(22) Filed: **Feb. 20, 2001**

(51) **LOC (7) Cl.** **04-01**

(52) **U.S. Cl.** **D32/50**

(58) **Field of Search** D32/40, 35, 50,
D32/51; 15/116.2, 119.2, 228, 208, 209.1,
210.1, 244.1, 244.2

(56) **References Cited**

U.S. PATENT DOCUMENTS

3,224,025 A * 12/1965 Altrock 15/119.2
D280,248 S * 8/1985 Hanson, Jr. D32/50

D413,417 S 8/1999 Reede
D417,050 S 11/1999 Reede
D423,743 S * 4/2000 Dawson et al. D32/40
6,044,513 A * 4/2000 Penn 15/244.1

* cited by examiner

Primary Examiner—Jennifer Rivard

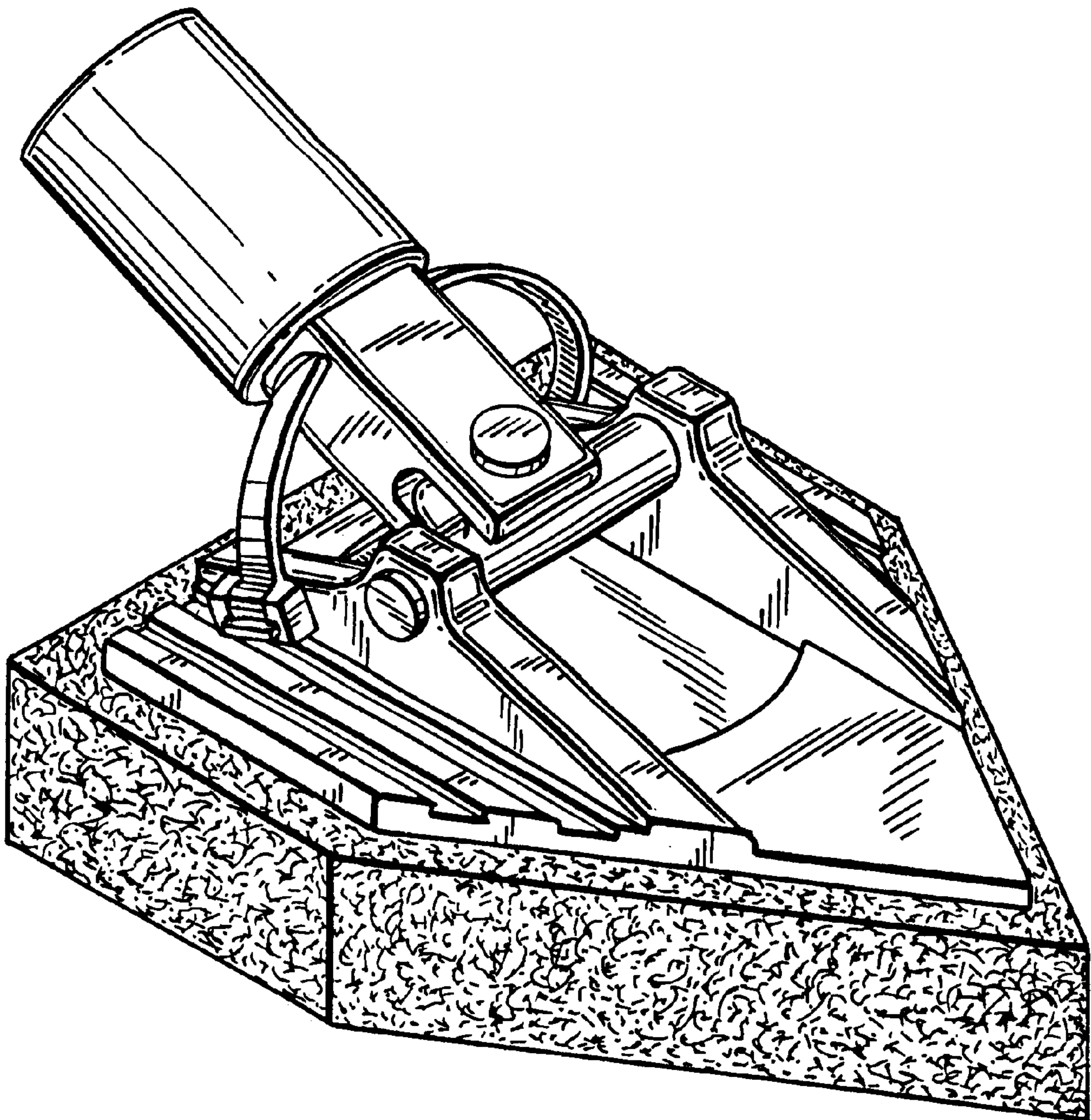
(57) **CLAIM**

The ornamental design for a floor scrubber, as shown.

DESCRIPTION

FIG. 1 is a top, front and side perspective view.
FIG. 2 is a top view.
FIG. 3 is a side view.
FIG. 4 is a front view.
FIG. 5 is a rear view.
FIG. 6 is a side view; and,
FIG. 7 is bottom view.

1 Claim, 3 Drawing Sheets



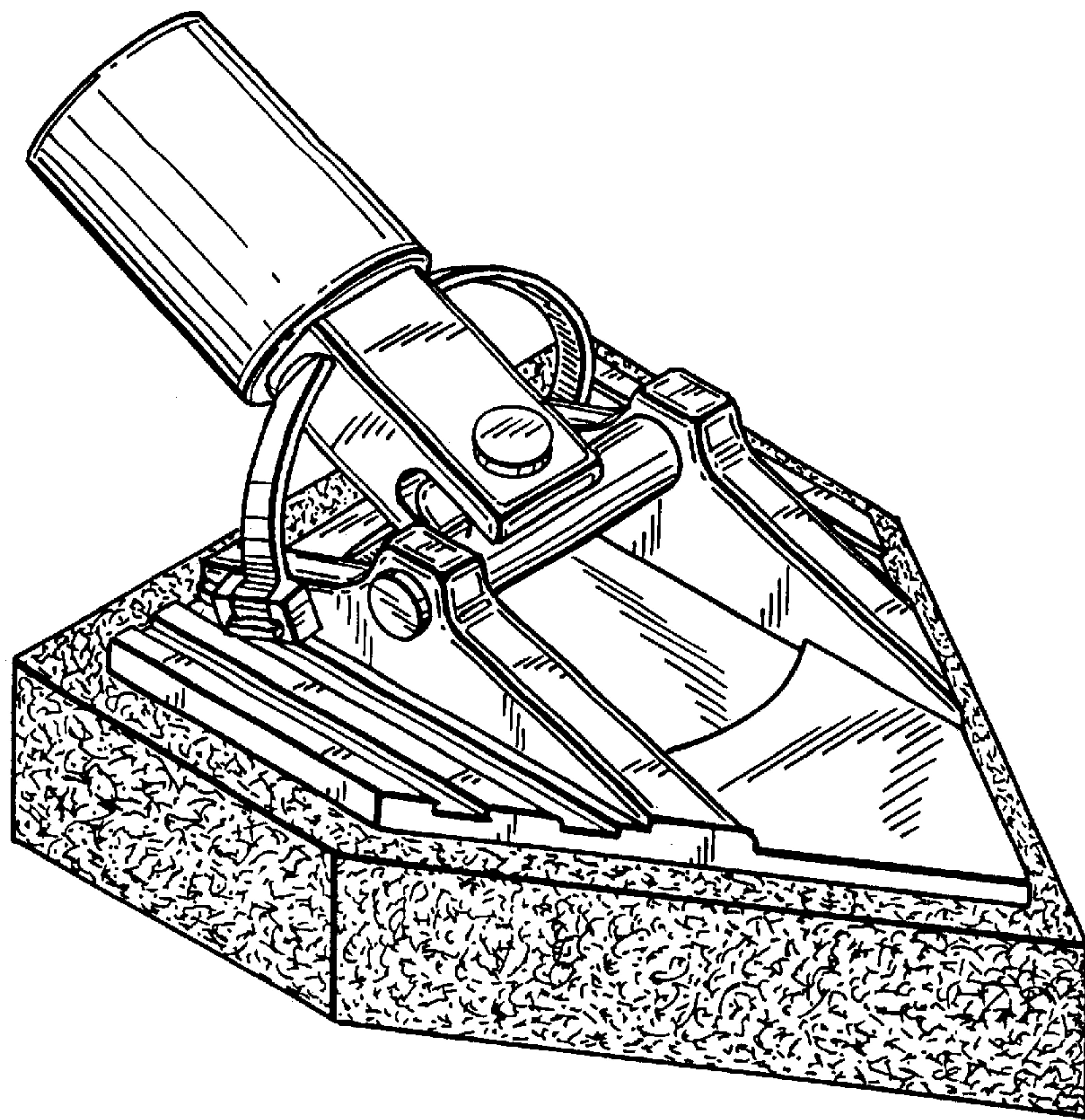


FIG. 1

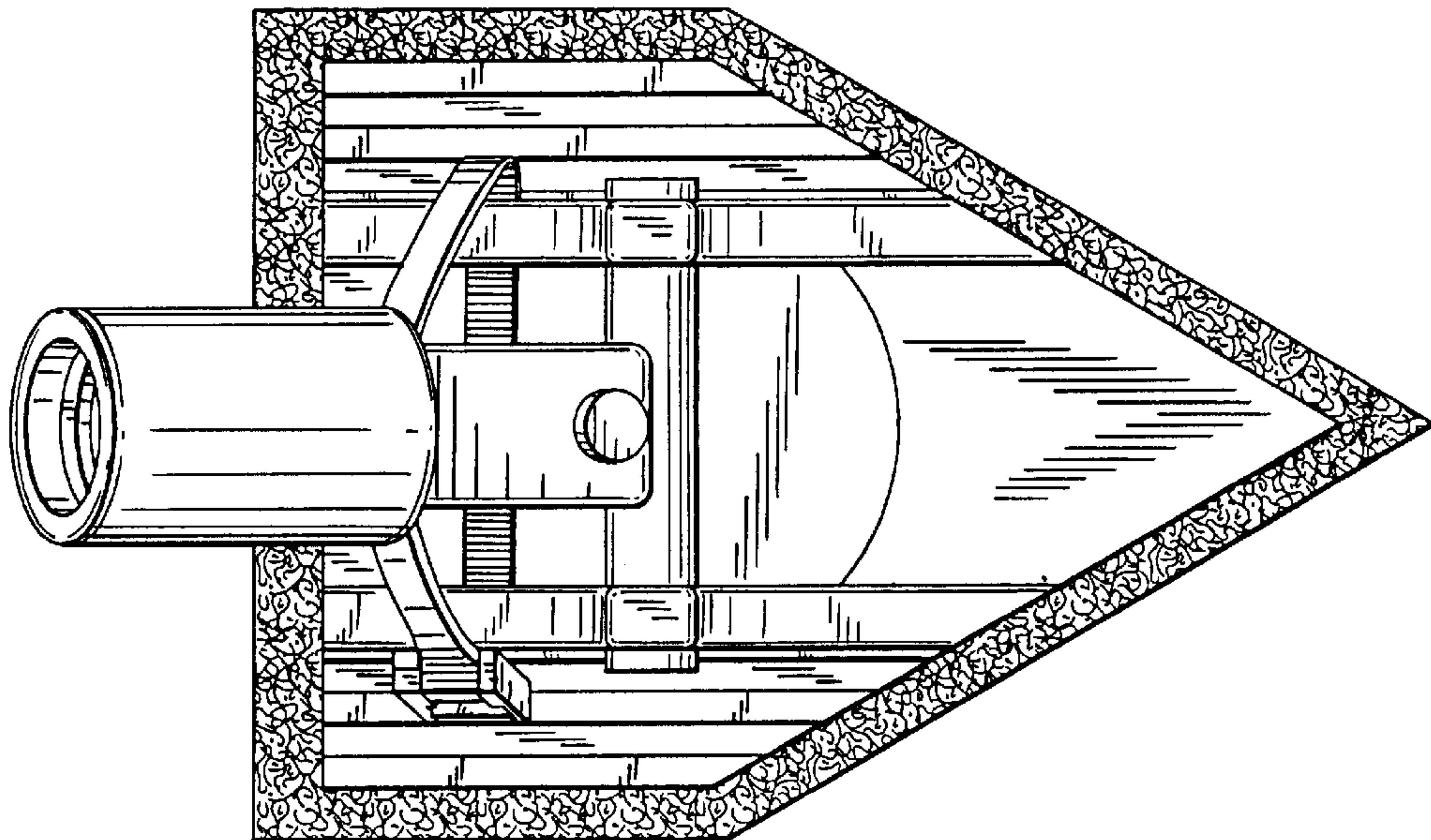


FIG. 2

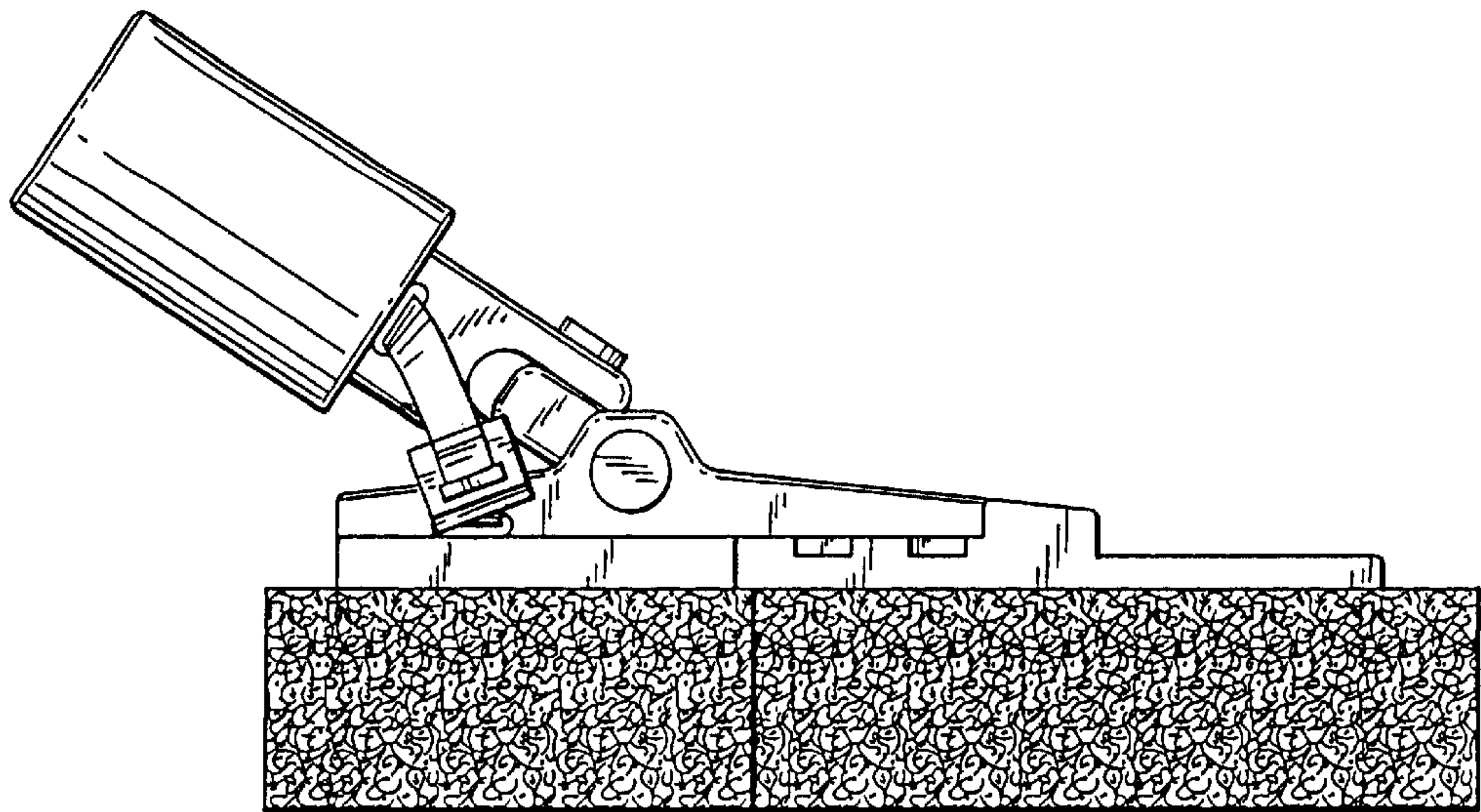


FIG. 3

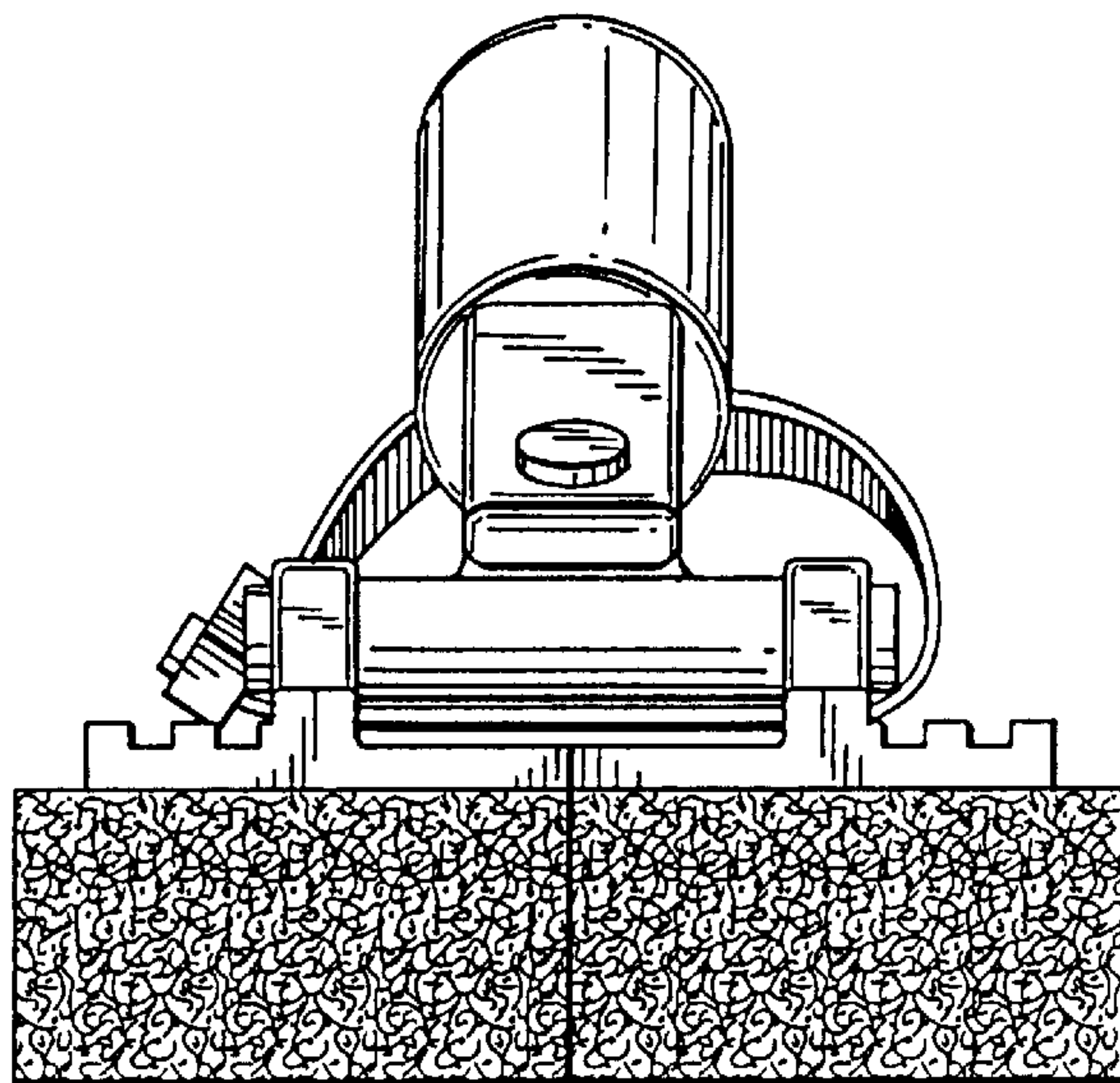


FIG. 4

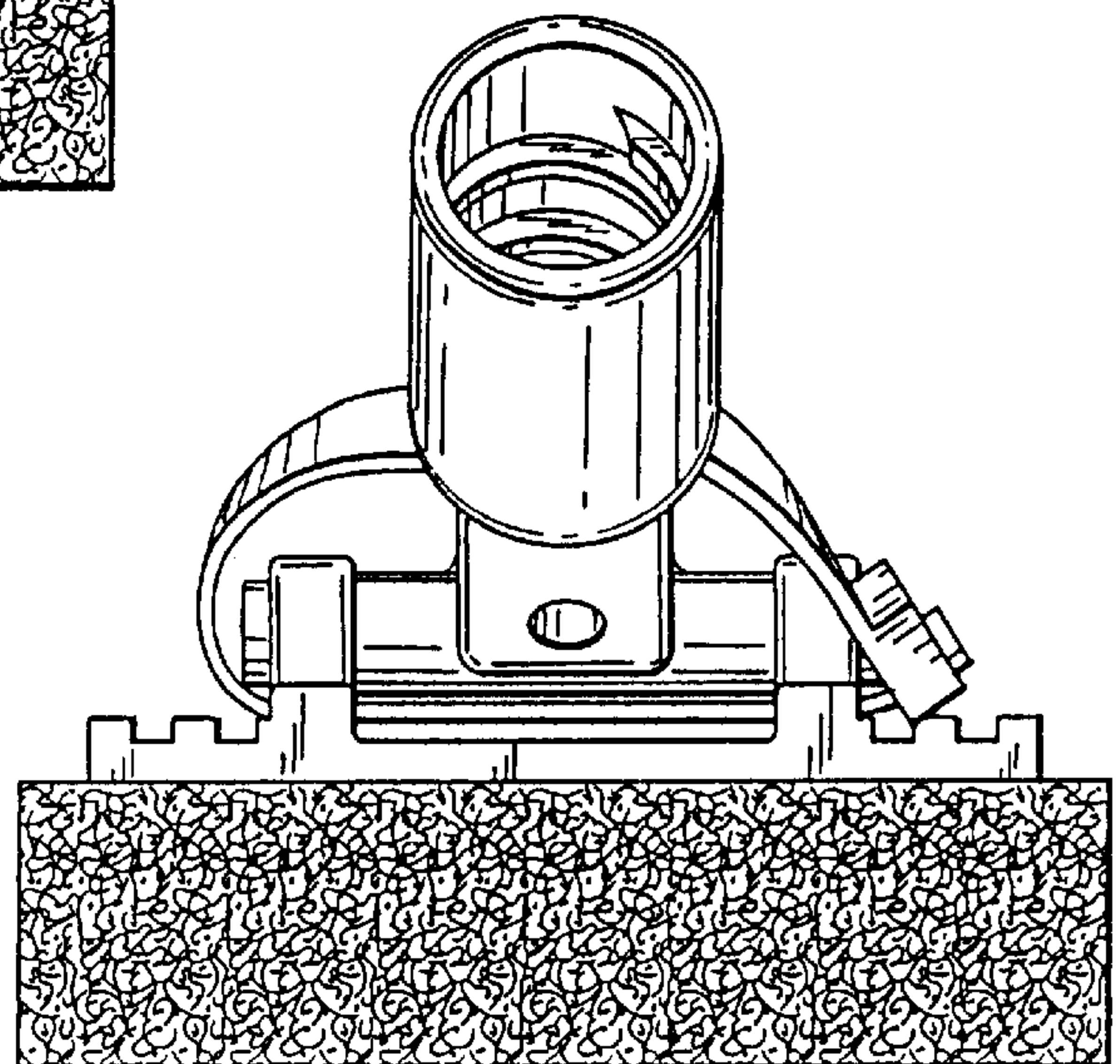


FIG. 5

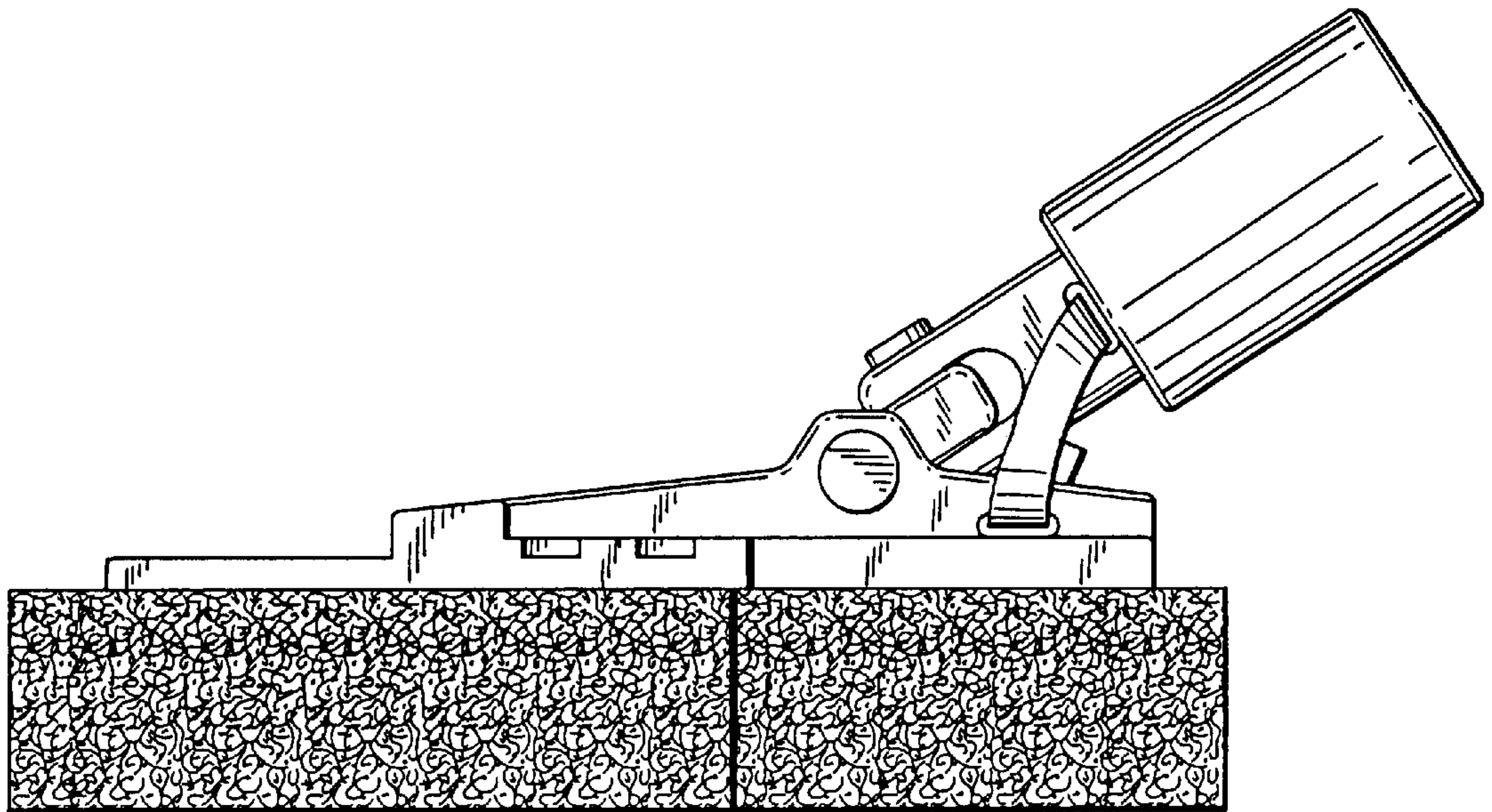


FIG. 6

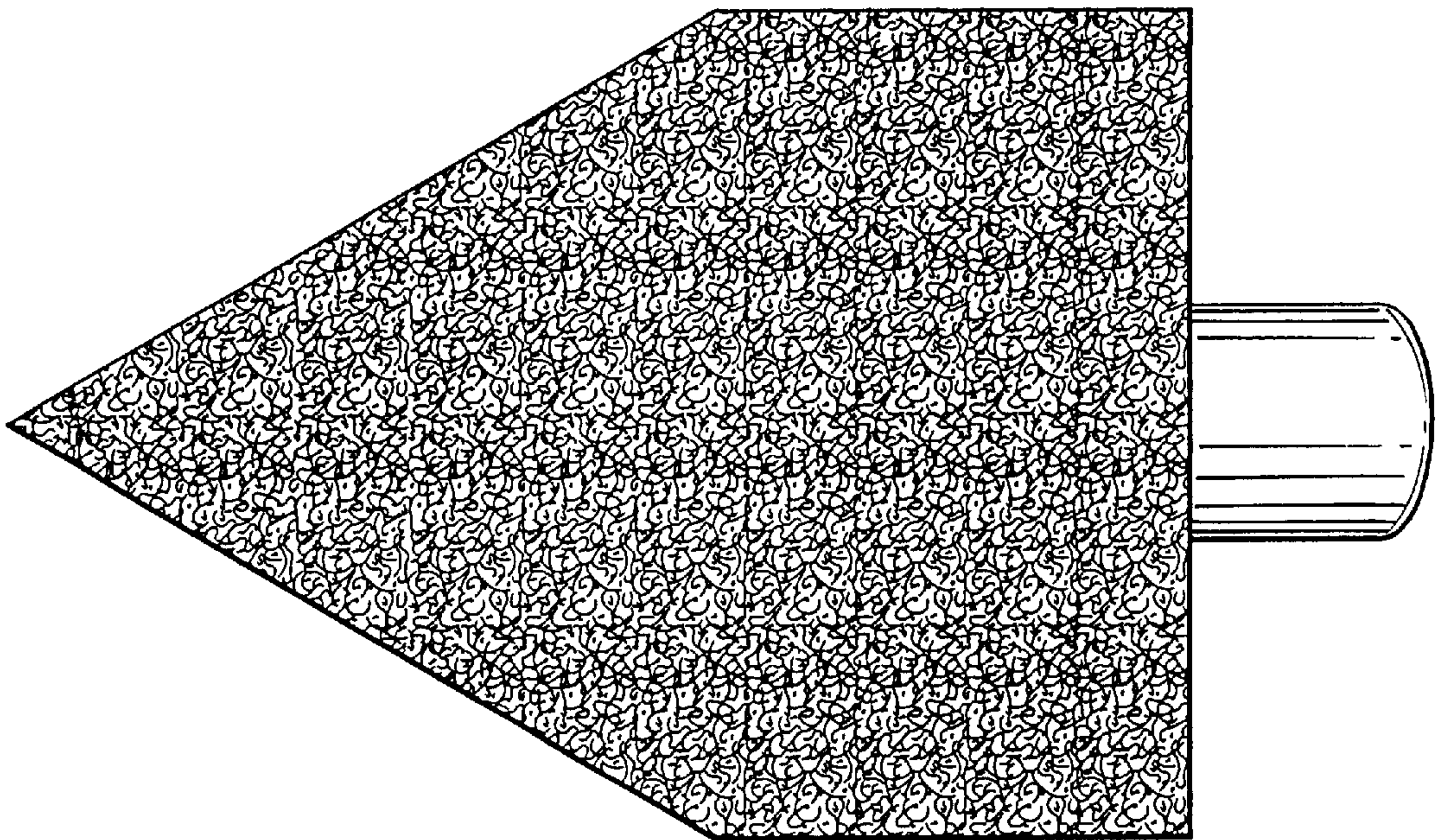


FIG. 7