



US00D468877S

(12) **United States Design Patent**  
**Burgos**

(10) **Patent No.:** **US D468,877 S**

(45) **Date of Patent:** **\*\* Jan. 14, 2003**

(54) **COMBINED SQUEEGEE AND SPRAY**

(76) **Inventor:** **Billy Burgos**, 2247 West Grand,  
Chicago, IL (US) 60612

(\*\*) **Term:** **14 Years**

(21) **Appl. No.:** **29/158,792**

(22) **Filed:** **Apr. 9, 2002**

(51) **LOC (7) Cl.** ..... **07-05**

(52) **U.S. Cl.** ..... **D32/41; D32/45**

(58) **Field of Search** ..... **D32/40-41, 45,**  
**D32/49; 15/121, 143.1, 236.01, 236.02,**  
**245, 245.1; 401/137-140, 146, 261, 263,**  
**266; 16/430**

(56) **References Cited**

**U.S. PATENT DOCUMENTS**

2,904,807 A \* 9/1959 Obergfell ..... 15/143.1 X  
4,785,495 A \* 11/1988 Dellis ..... 16/430 X  
D338,298 S \* 8/1993 Grim, Sr. .... D32/45

5,536,095 A \* 7/1996 Diamond ..... 401/146  
6,010,267 A \* 1/2000 Vito ..... 401/138  
D447,301 S \* 8/2001 Adair et al. .... D32/41

\* cited by examiner

*Primary Examiner*—Alan P. Douglas  
*Assistant Examiner*—Lavone D. Tabor

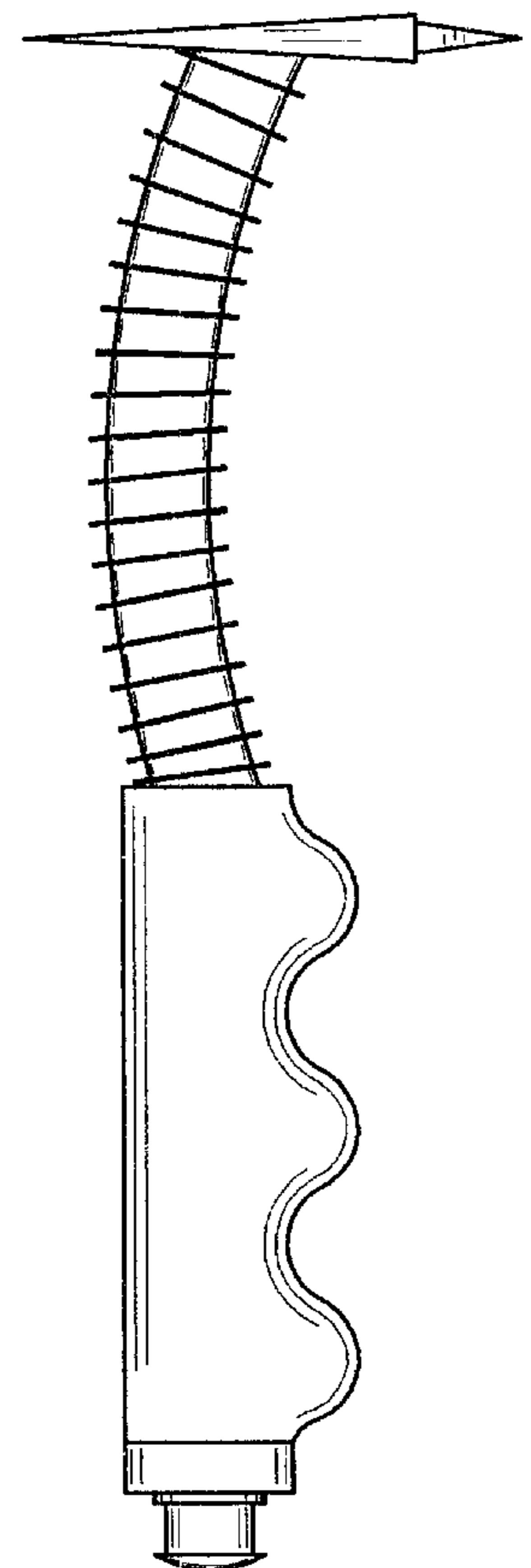
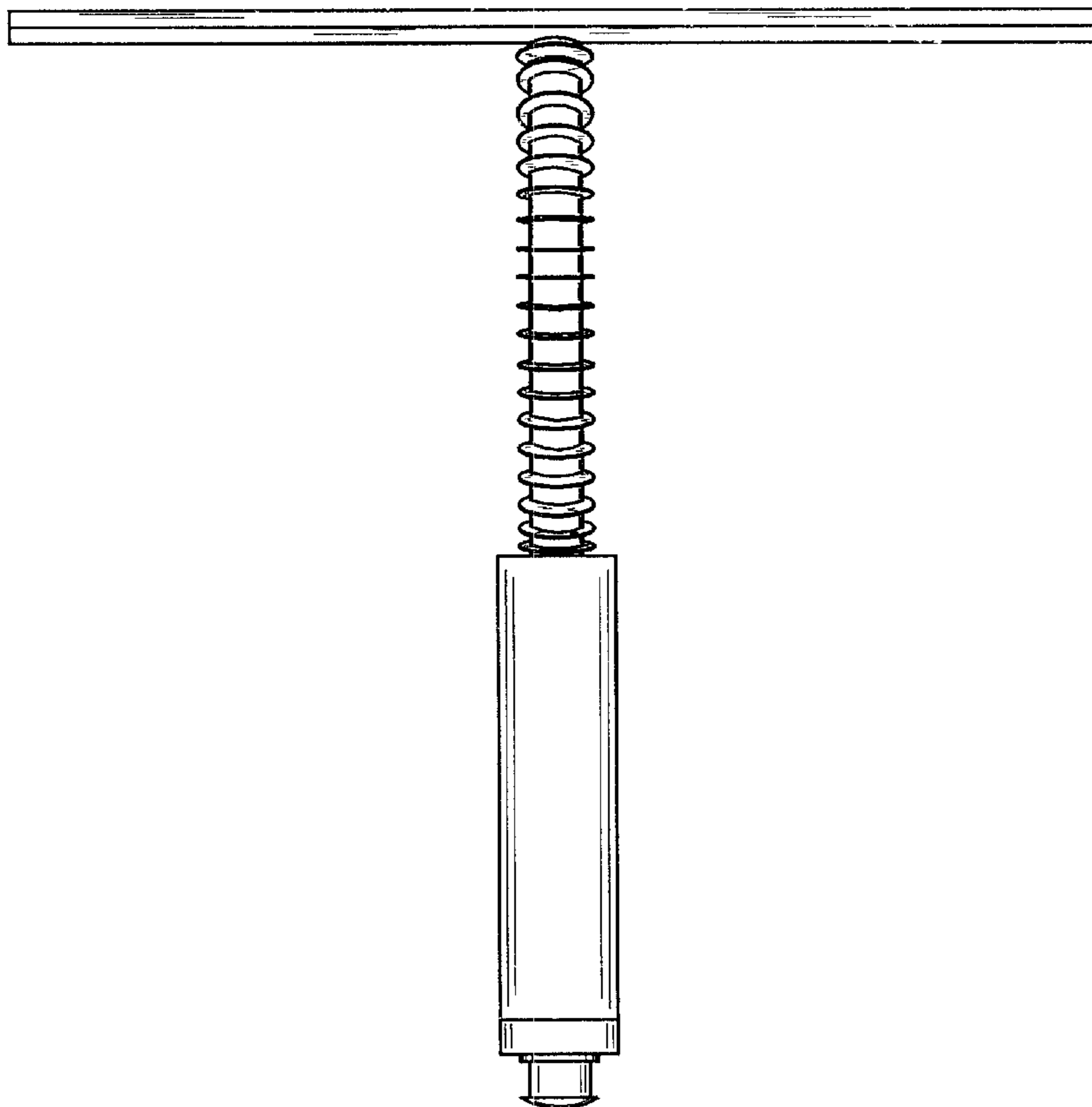
(57) **CLAIM**

The ornamental design for a combined squeegee and spray,  
as shown and described.

**DESCRIPTION**

FIG. 1 is a front elevational view of a combined squeegee  
and spray showing my new design;  
FIG. 2 is a rear elevational view thereof;  
FIG. 3 is a side view, taken from the right side of FIG. 1;  
FIG. 4 is a side view, taken from the left side of FIG. 1;  
FIG. 5 is a top plan view thereof; and,  
FIG. 6 is a bottom plan view thereof.

**1 Claim, 4 Drawing Sheets**



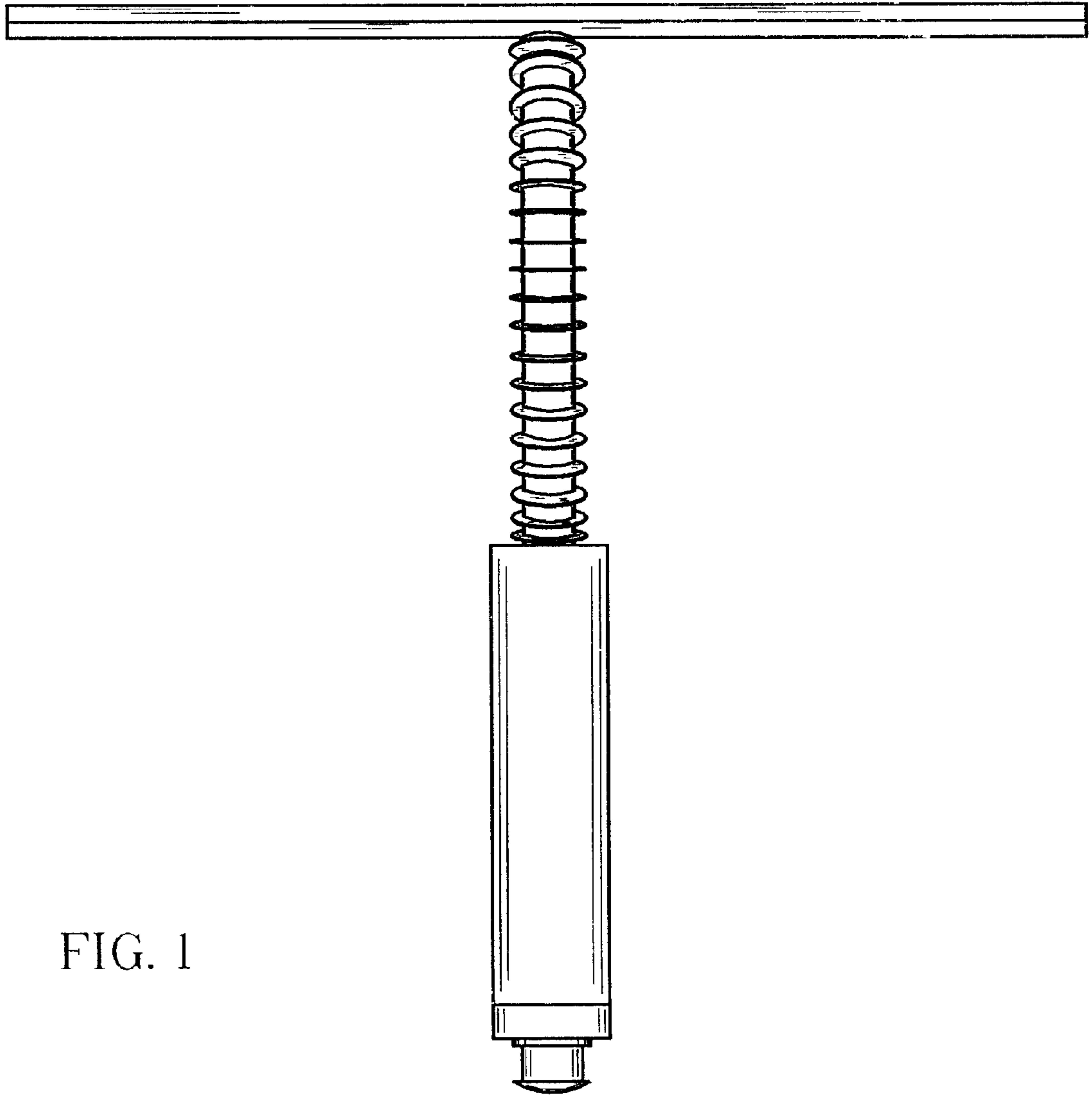


FIG. 1

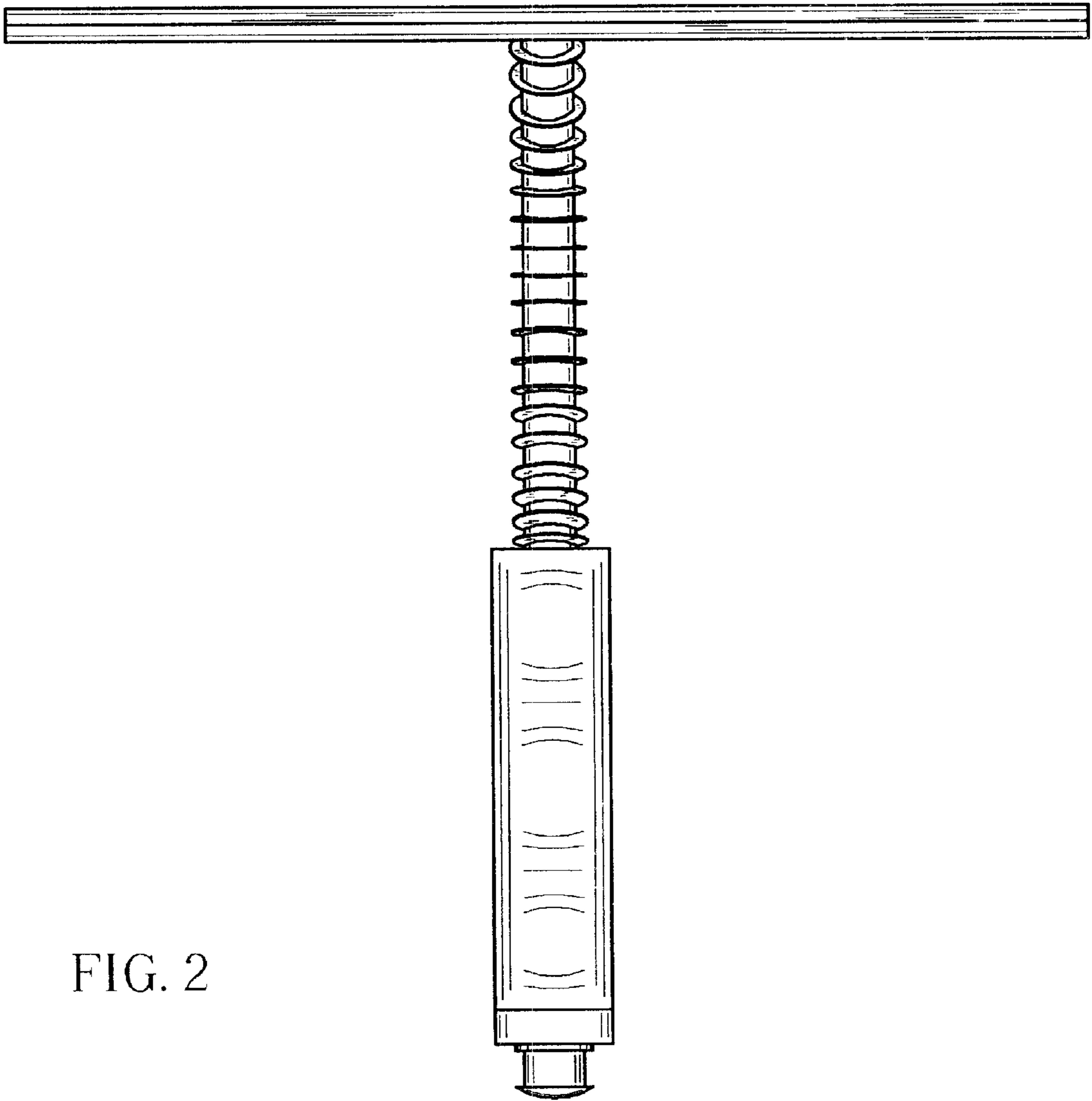


FIG. 2

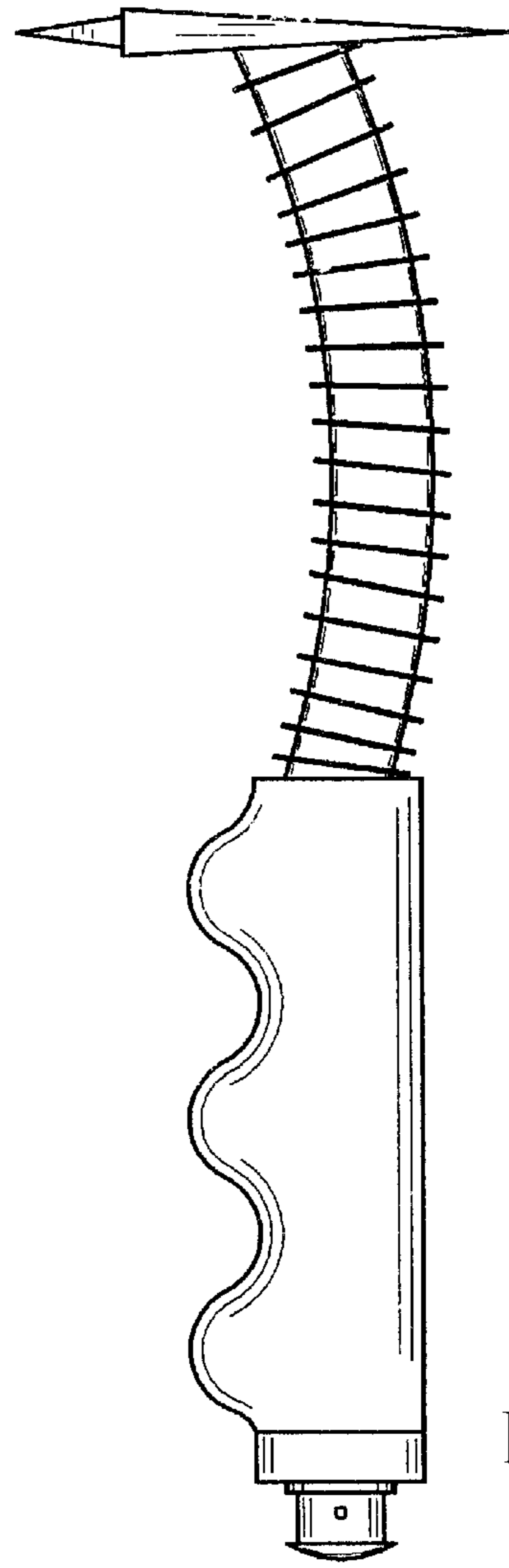
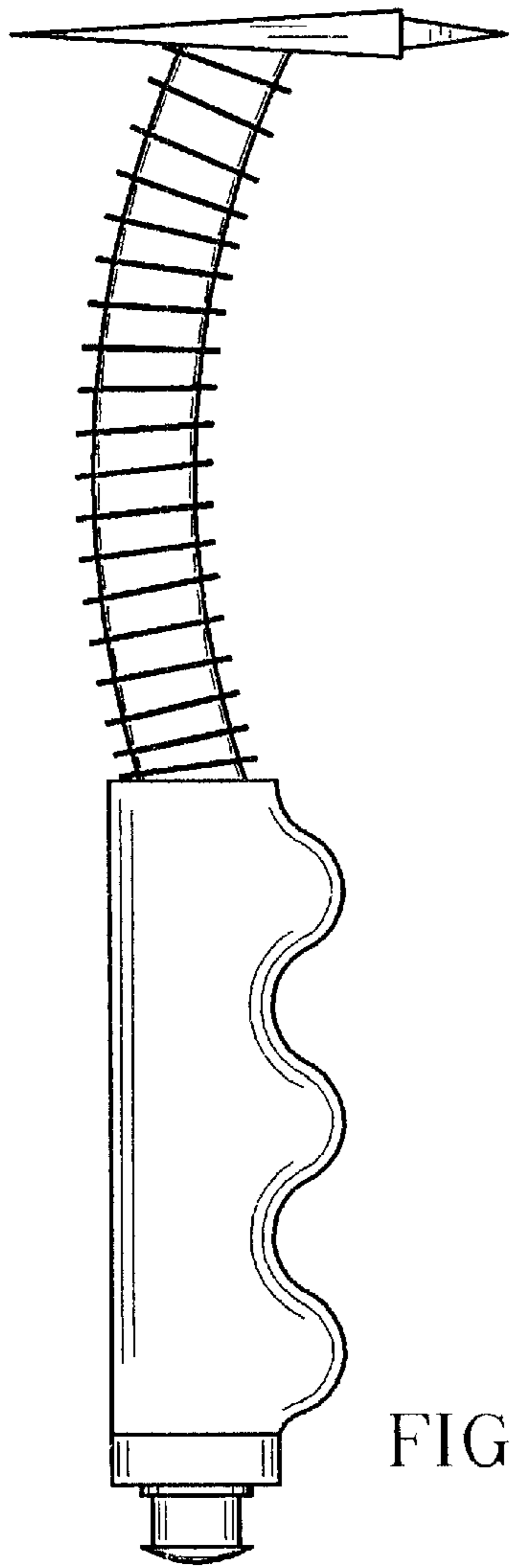


FIG. 5

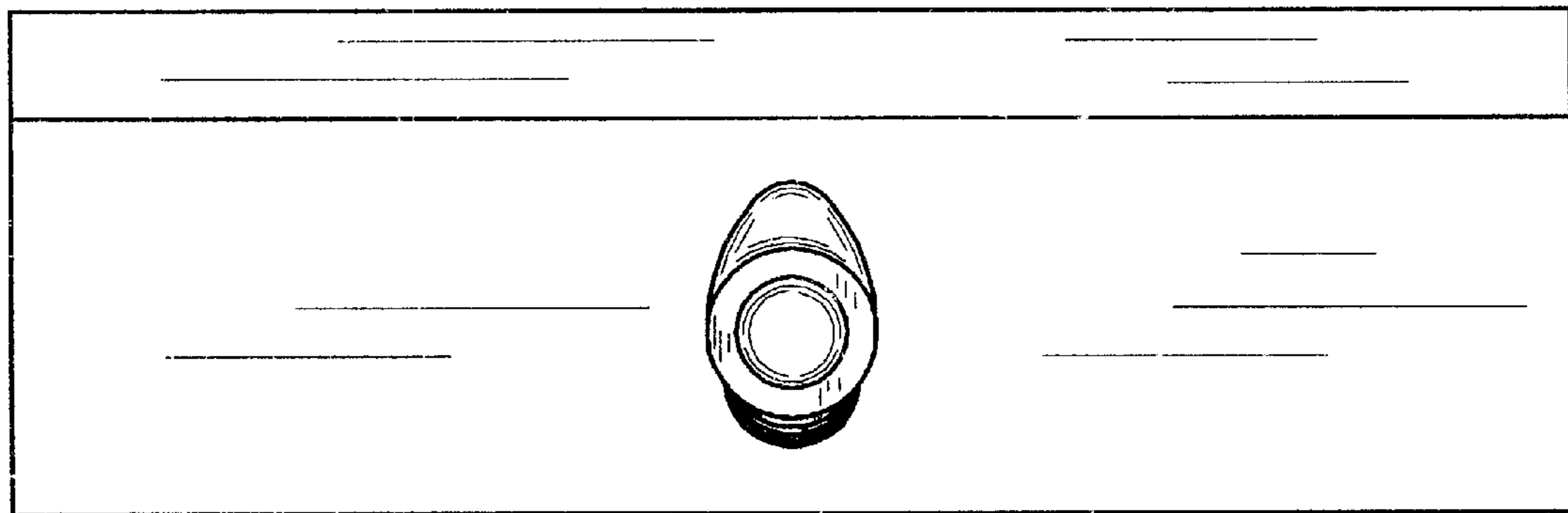
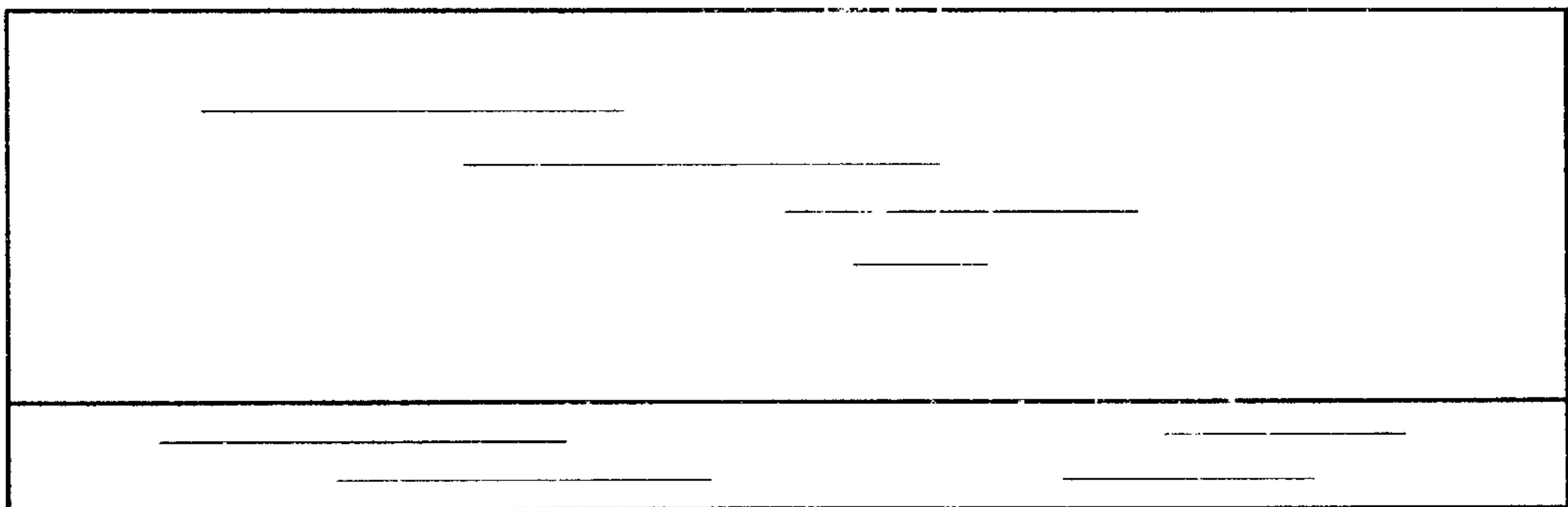


FIG. 6