



US00D468875S

(12) **United States Design Patent**  
**Alford et al.**

(10) **Patent No.:** **US D468,875 S**  
(45) **Date of Patent:** **\*\* Jan. 14, 2003**

(54) **SUCTION NOZZLE PORTION FOR A FLOOR CLEANER**

(75) Inventors: **William G. Alford**, Canton, OH (US);  
**John D. Essex**, North Canton, OH (US);  
**Jeffery A. Morgan**, Cuyahoga Falls, OH (US);  
**Gad Shaanan**, Westmount (CA);  
**Ivan Brousseau**, Montreal (CA);  
**Sana S. K. Mok**, Kowloon (CN)

(73) Assignee: **The Hoover Company**, North Canton, OH (US)

(\*\*) Term: **14 Years**

(21) Appl. No.: **29/159,267**

(22) Filed: **Apr. 17, 2002**

**Related U.S. Application Data**

(62) Division of application No. 29/140,890, filed on Apr. 25, 2001, now Pat. No. Des. 457,278.

(51) **LOC (7) Cl.** ..... **15-05**

(52) **U.S. Cl.** ..... **D32/32**

(58) **Field of Search** ..... D32/31-34, 22;  
15/320-322, 347, 350, 352-353, 361, 335,  
337, 379, 400, 415.1-422.1

(56) **References Cited**

**U.S. PATENT DOCUMENTS**

D376,879 S \* 12/1996 Selewski et al. .... D32/32

D398,097 S \* 9/1998 Murphy et al. .... D32/22  
D411,669 S \* 6/1999 Wareham ..... D32/32  
D416,115 S \* 11/1999 Rohn et al. .... D32/32  
D427,736 S \* 7/2000 Saunders et al. .... D32/31  
D457,278 S \* 5/2002 Alford et al. .... D32/32

\* cited by examiner

*Primary Examiner*—Ruth McInroy

(74) *Attorney, Agent, or Firm*—A. Burgess Lowe; Brett A. Schenck

(57) **CLAIM**

The ornamental design for a suction nozzle portion for a floor cleaner, as shown and described.

**DESCRIPTION**

FIG. 1 is a top, front and right side perspective view of a suction nozzle portion for a floor cleaner showing my new design;

FIG. 2 is a top, front and right side perspective view without the handle portion of the vacuum cleaner shown in broken lines of FIG. 1 thereof;

FIG. 3 is a top plan view thereof;

FIG. 4 is a front view thereof;

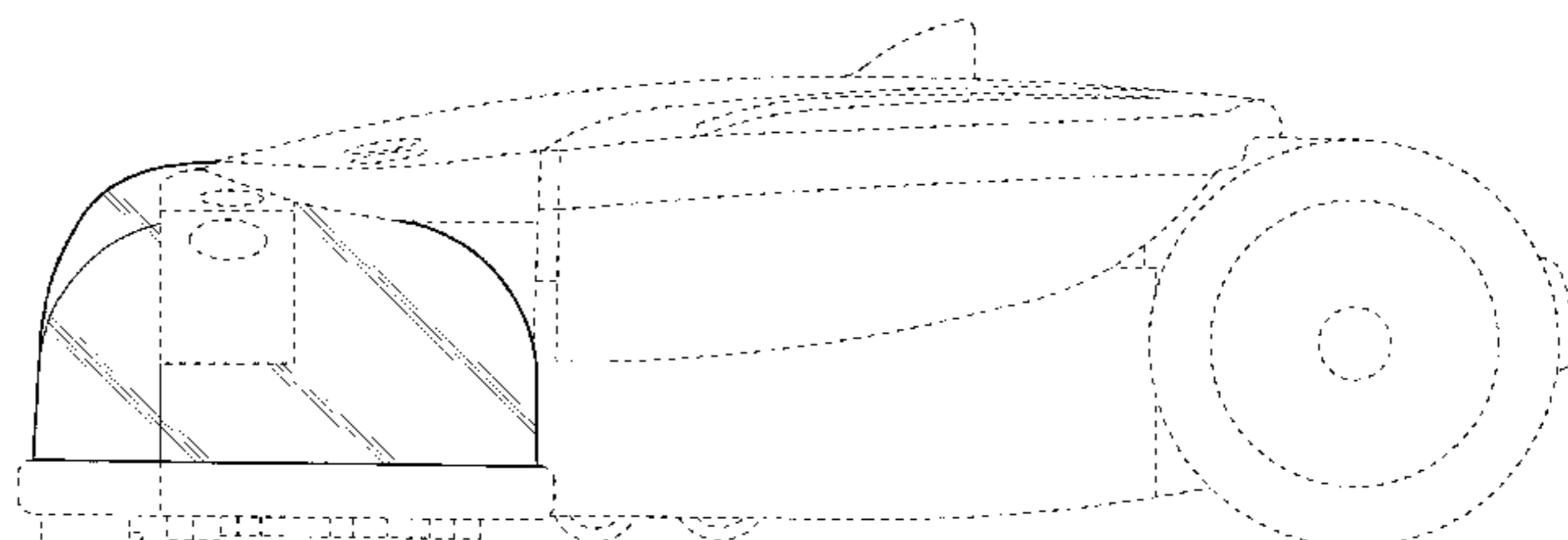
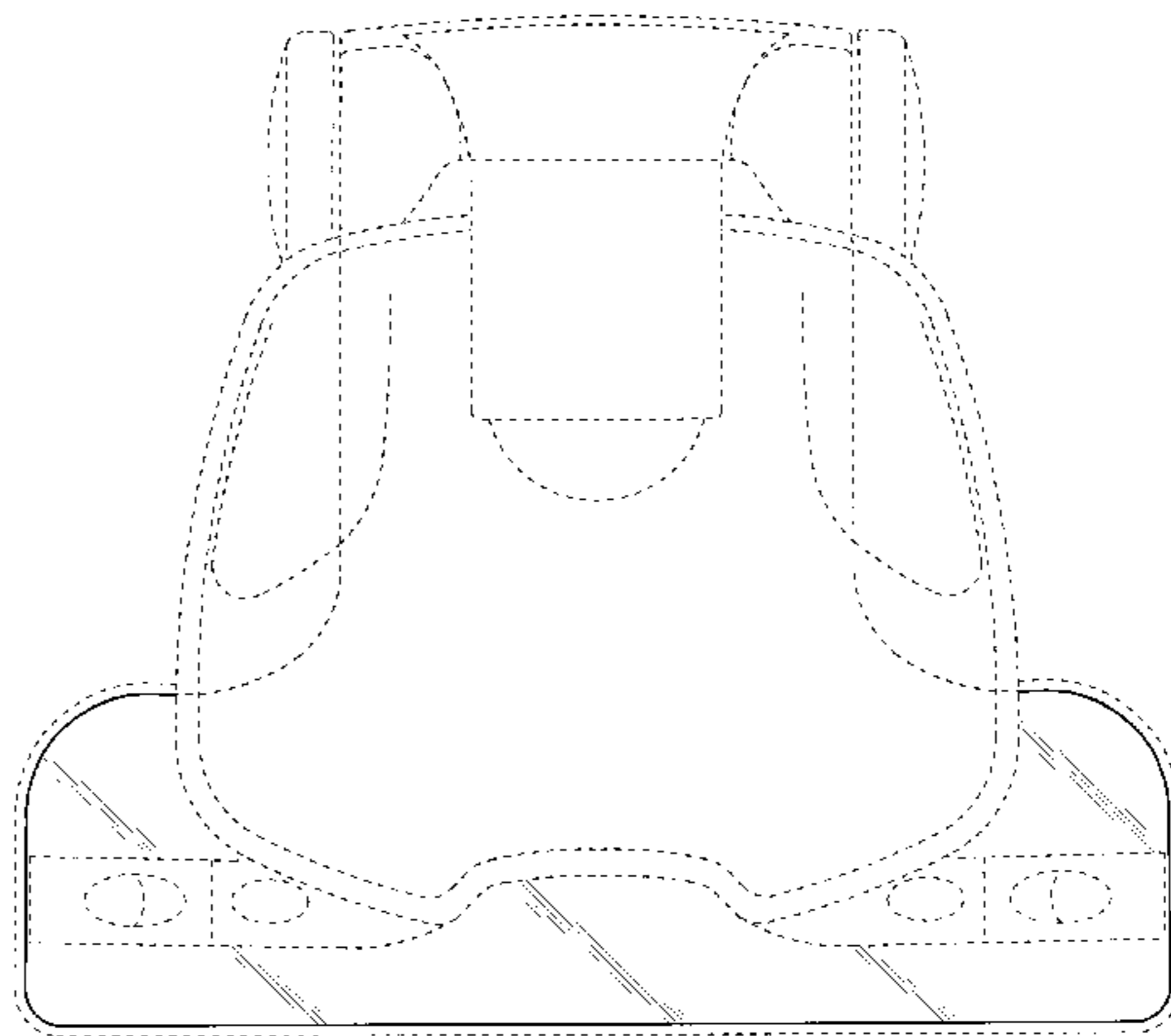
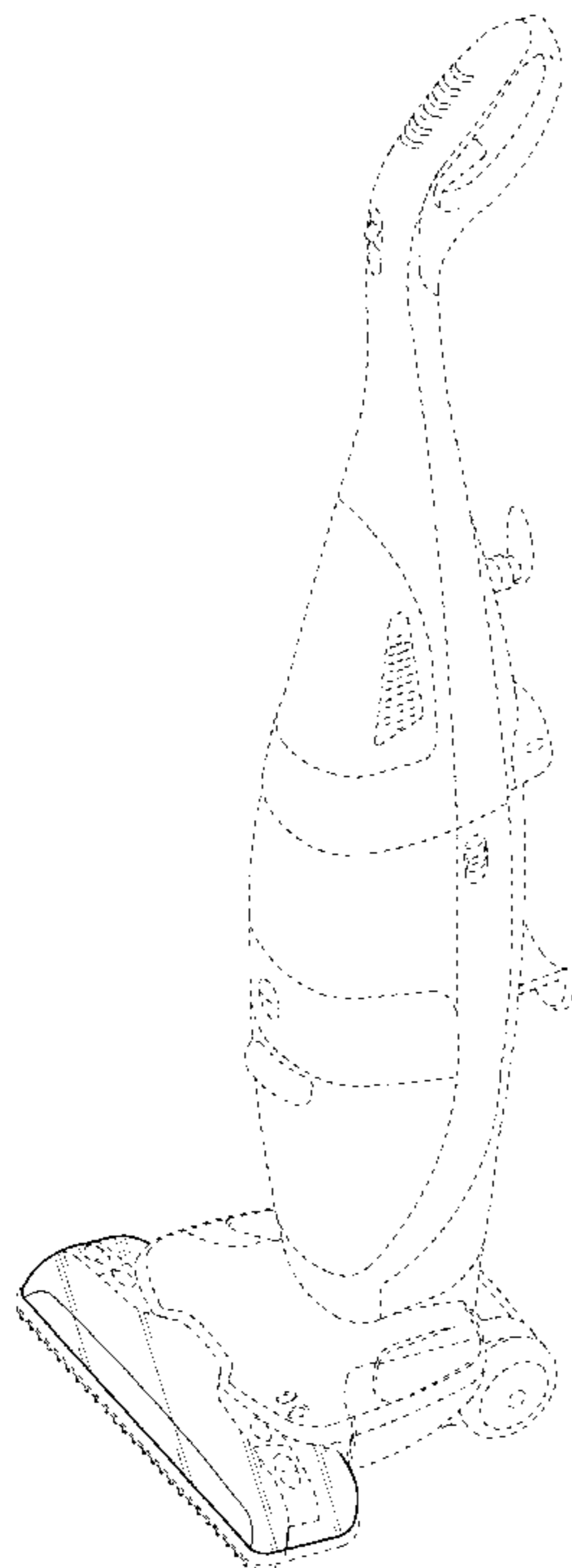
FIG. 5 is a right side elevational view thereof;

FIG. 6 is a left side elevational view thereof; and,

FIG. 7 is a rear view thereof.

The portion of the vacuum cleaner shown in broken lines in the figures is for illustrative purposes only and forms no part of the claimed design.

**1 Claim, 7 Drawing Sheets**



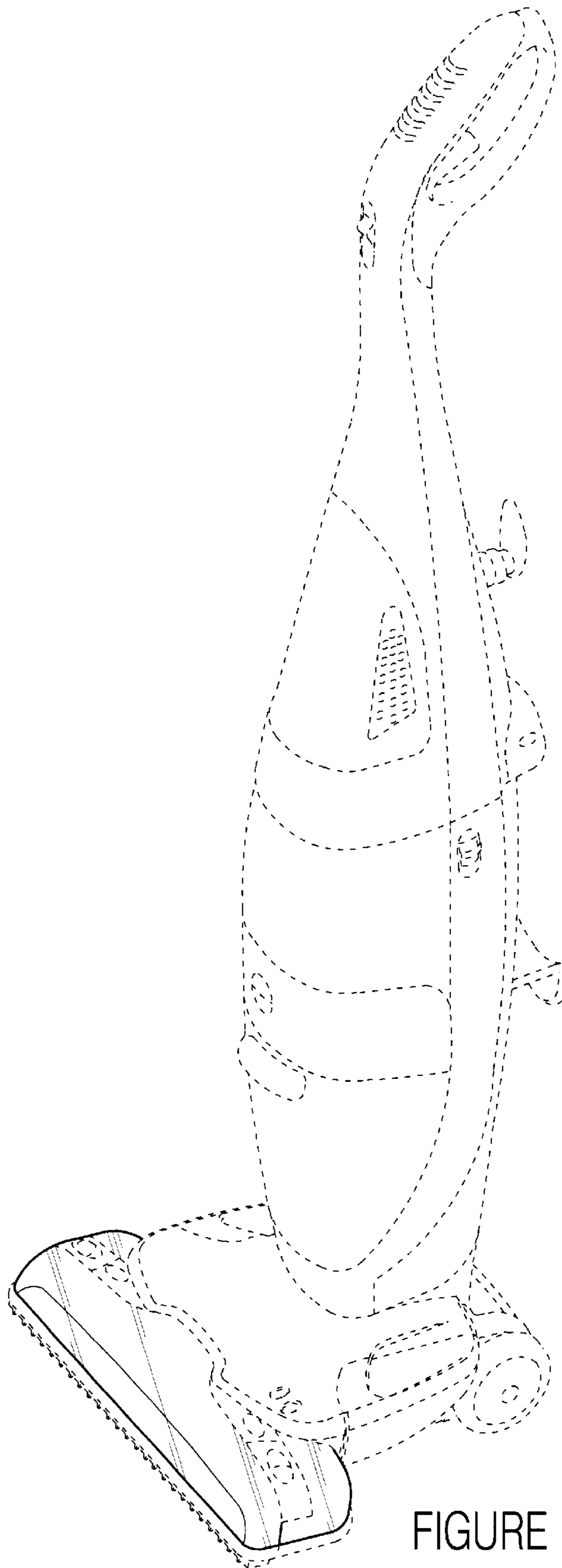


FIGURE 1

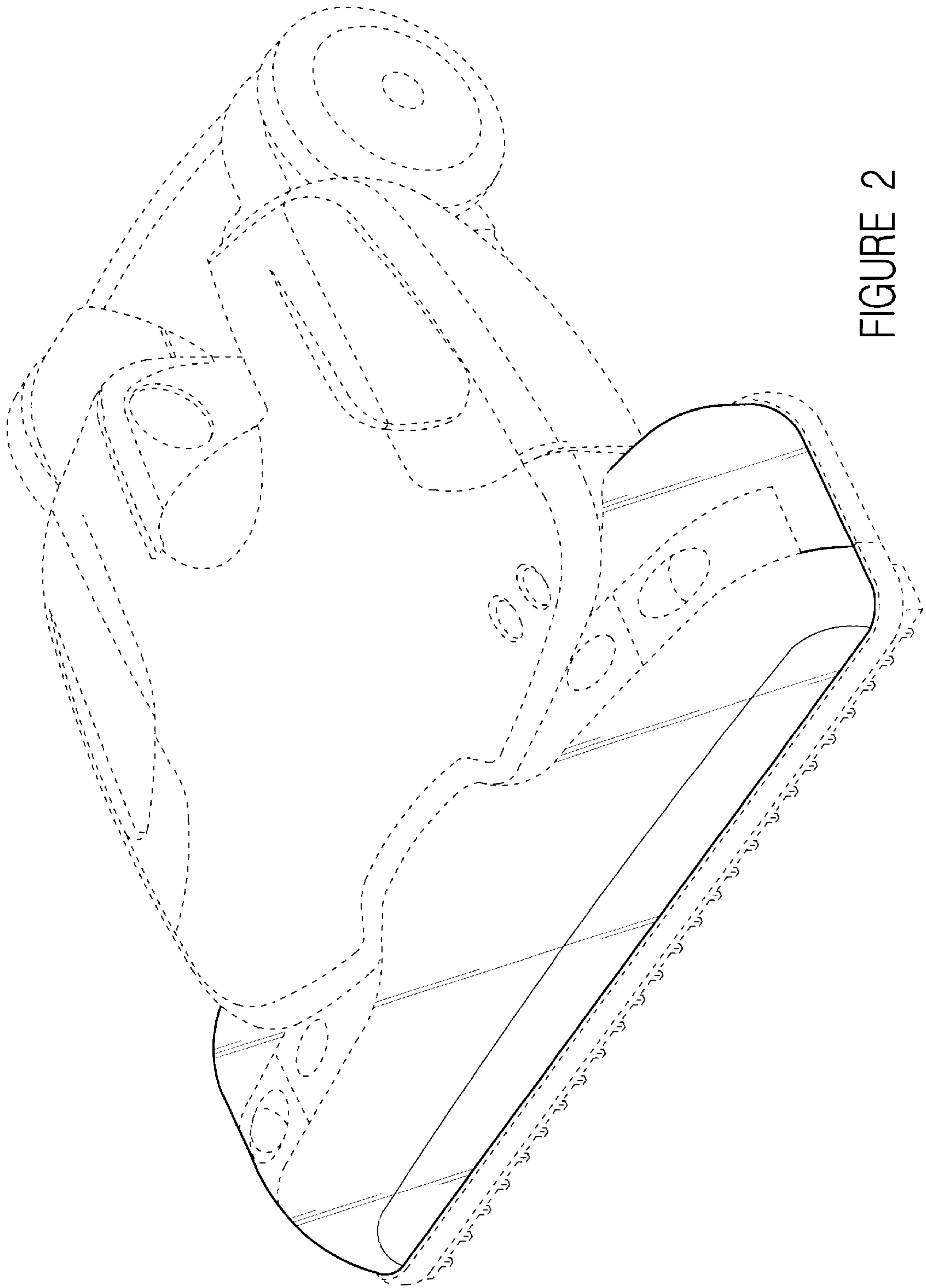


FIGURE 2

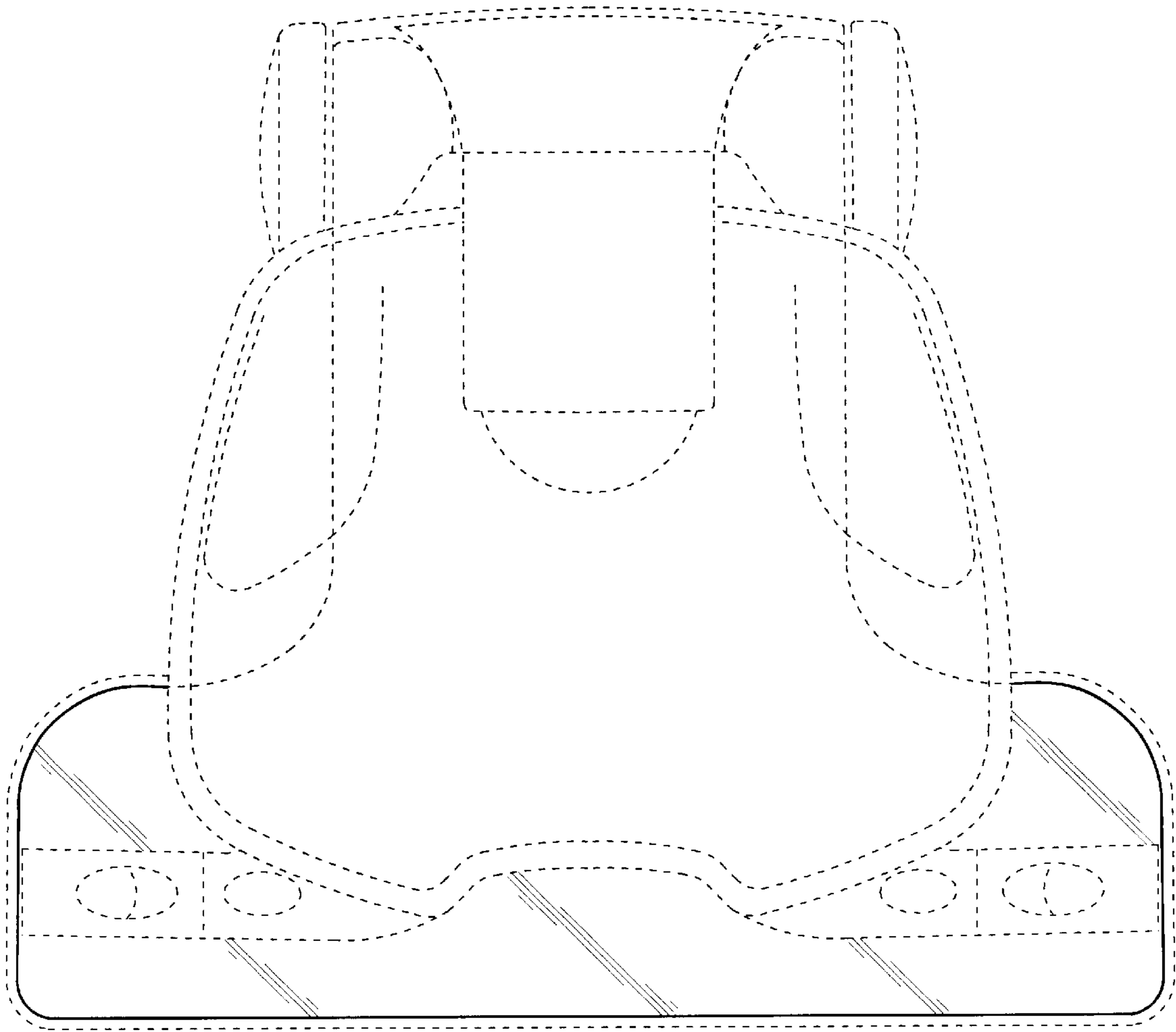


FIGURE 3

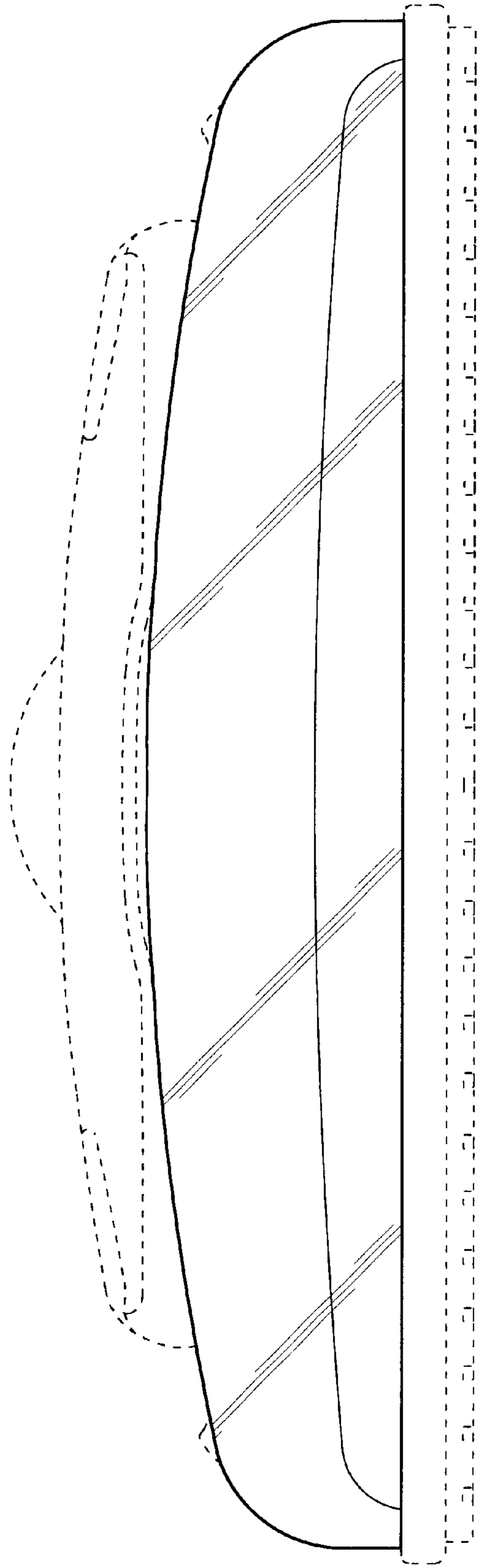


FIGURE 4

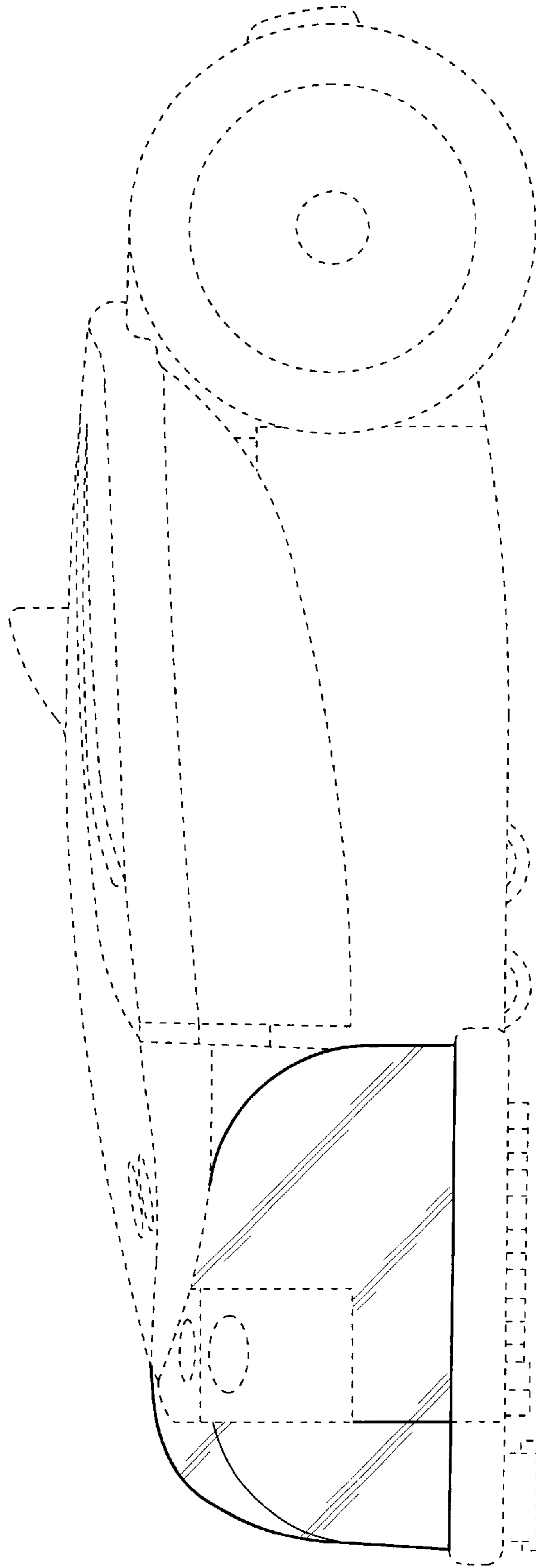


FIGURE 5

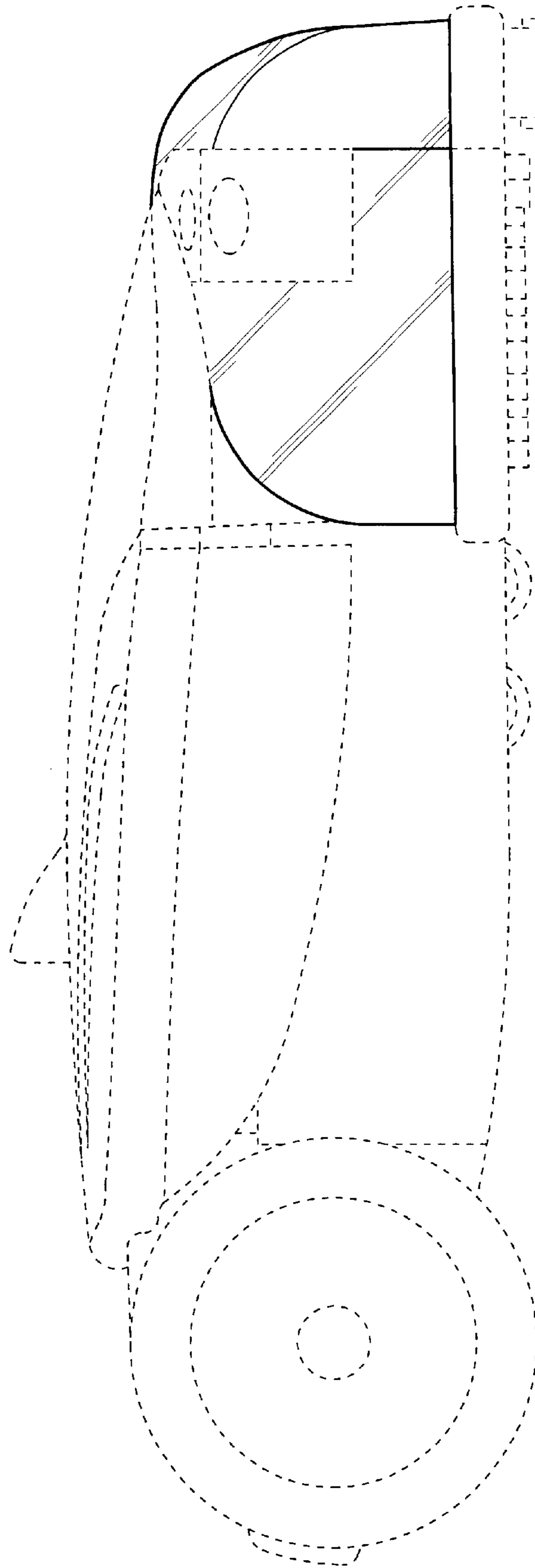


FIGURE 6



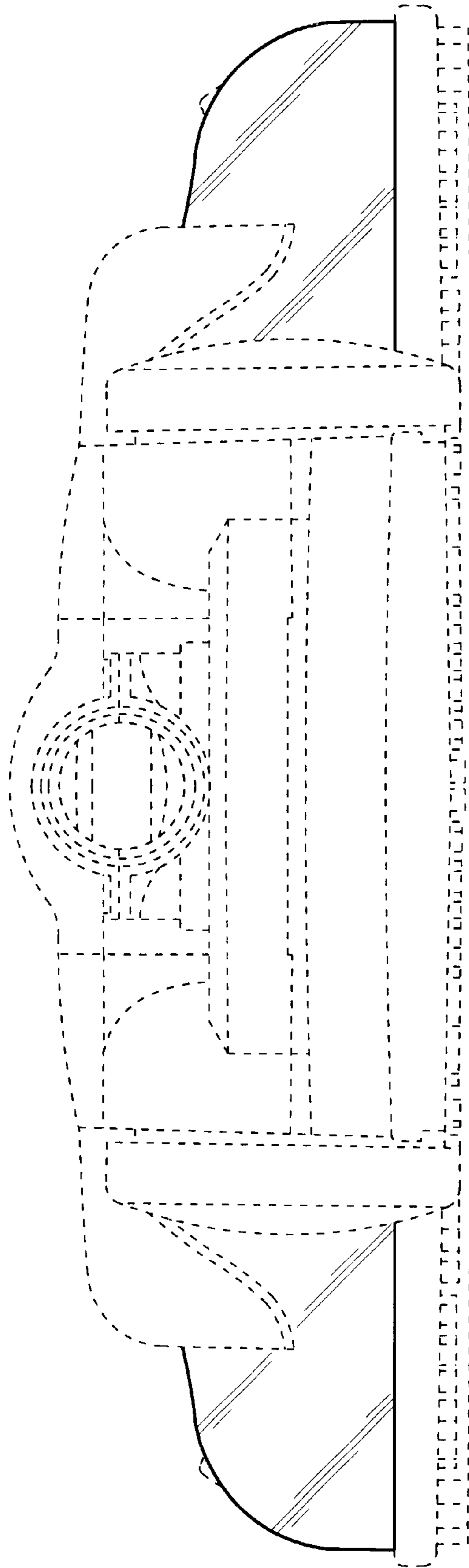


FIGURE 7