



US00D468874S

(12) **United States Design Patent**
Nawrozki et al.

(10) **Patent No.:** **US D468,874 S**

(45) **Date of Patent:** **** Jan. 14, 2003**

(54) **BLOWER**

(75) Inventors: **Damon J. Nawrozki**, Parkville, MD
(US); **James D. Marshall**, Mallorytown
(CA); **Michael A. Milligan**, Gananoque
(CA); **Wade Mooney**, Brockville (CA)

(73) Assignee: **Black & Decker Inc.**, Newark, DE
(US)

(**) Term: **14 Years**

(21) Appl. No.: **29/141,042**

(22) Filed: **Apr. 27, 2001**

(51) **LOC (7) Cl.** **15-05**

(52) **U.S. Cl.** **D32/15**

(58) **Field of Search** D32/1, 15, 16,
D32/17, 25; 15/328, 329, 330, 344, 345,
404, 405, 414, 339, 415.1, 413, 326; 417/236,
423.1, 423.3

(56) **References Cited**

U.S. PATENT DOCUMENTS

2,586,145	A	*	2/1952	Breuer et al.	15/330	X
D297,274	S		8/1988	Komiya et al.			
D310,437	S		9/1990	Gierke et al.			
D319,122	S		8/1991	Gierke et al.			
D319,714	S		9/1991	Gierke et al.			
D320,101	S		9/1991	Gierke et al.			
D320,293	S		9/1991	Gierke et al.			
D320,294	S		9/1991	Miner			
D323,724	S		2/1992	Gierke et al.			
D323,725	S		2/1992	Gierke et al.			
D339,432	S	*	9/1993	Rakocy et al.	D32/15	
D347,715	S		6/1994	Berfield			
D348,548	S		7/1994	Pino			
D354,378	S		1/1995	McKnight et al.			
D358,912	S		5/1995	Baker et al.			
D359,603	S	*	6/1995	Rakocy et al.	D32/15	

D363,149	S	*	10/1995	Franke et al.	D32/15	
D375,822	S		11/1996	Lessig, III et al.			
D386,841	S		11/1997	DeMore et al.			
D388,561	S		12/1997	Tuggle et al.			
5,813,088	A	*	9/1998	Wagner et al.	15/327.5	
D400,322	S		10/1998	Webster et al.			
D405,566	S		2/1999	Webster et al.			
D426,354	S		6/2000	Ohi et al.			
D427,394	S	*	6/2000	Yamane et al.	D32/15	
D431,697	S	*	10/2000	Hayakawa et al.	D32/15	
6,125,503	A	*	10/2000	Callahan	15/414	
6,182,329	B1	*	2/2001	Lin	15/343	
6,253,415	B1	*	7/2001	Honda	15/339	

OTHER PUBLICATIONS

Black & Decker Outdoor Products Catalog (pp. 19) date unknown.

* cited by examiner

Primary Examiner—Martie K. Holtje

(74) *Attorney, Agent, or Firm*—Ajay K. Gambhir

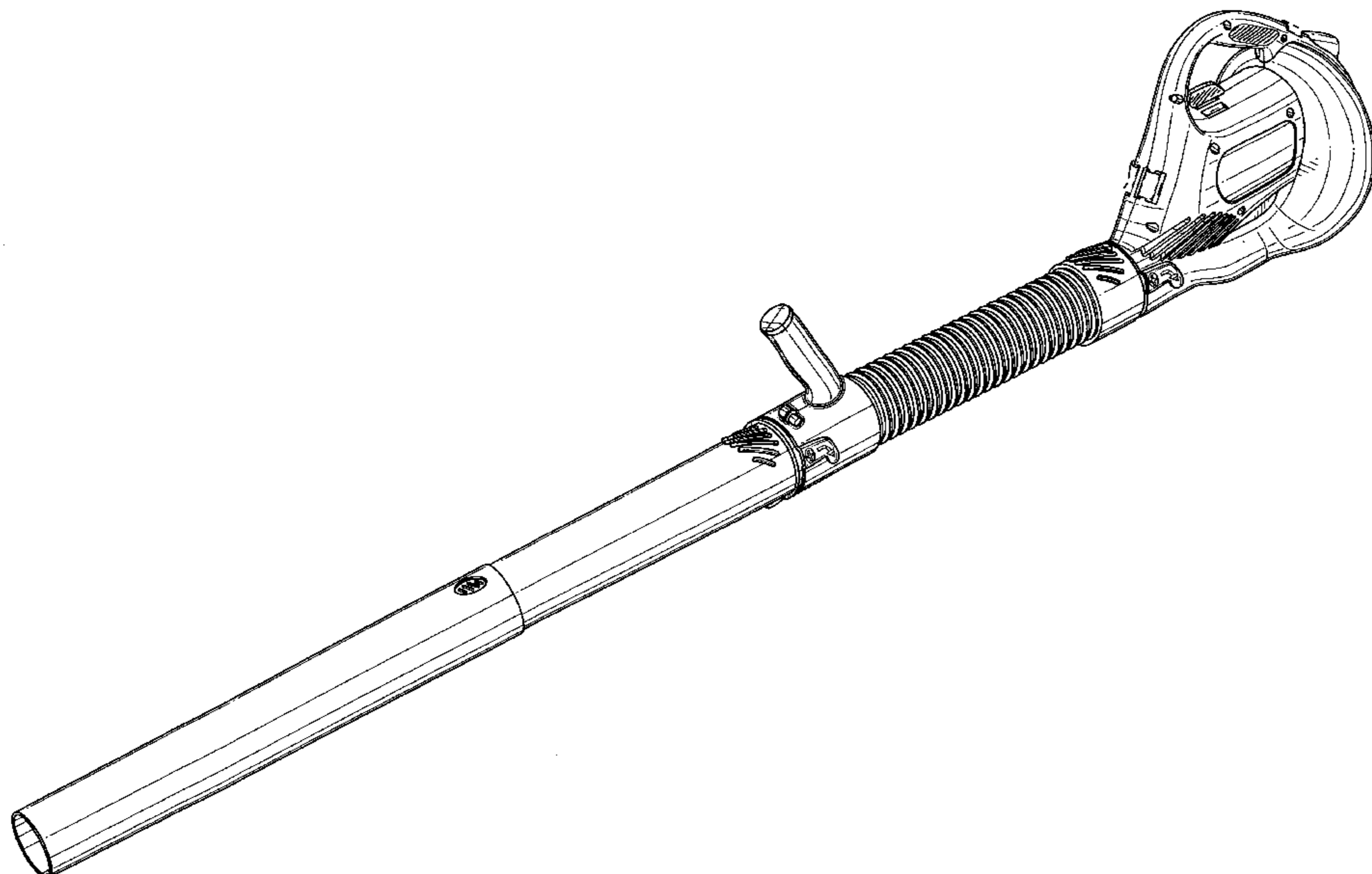
(57) **CLAIM**

The ornamental design for a blower, as shown and described.

DESCRIPTION

FIG. 1 is a perspective view of the blower taken from the front and one side;
FIG. 2 is a side elevational view thereof taken from the side opposite that shown in FIG. 1;
FIG. 3 is a side elevational view thereof taken from the side shown in FIG. 1;
FIG. 4 is a top view thereof;
FIG. 5 is a bottom view thereof;
FIG. 6 is a front elevational view thereof; and,
FIG. 7 is a rear elevational view thereof.

1 Claim, 6 Drawing Sheets



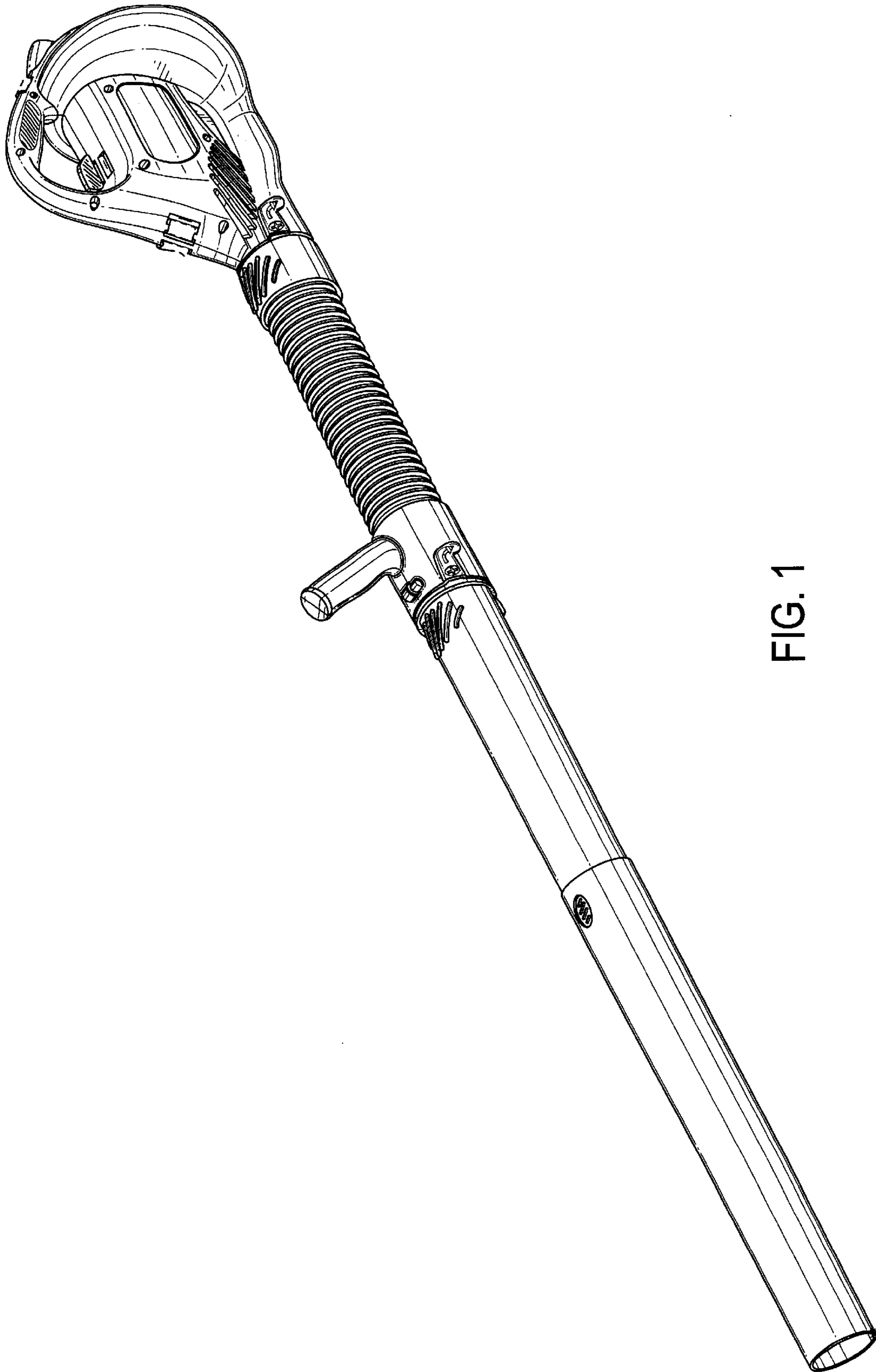


FIG. 1

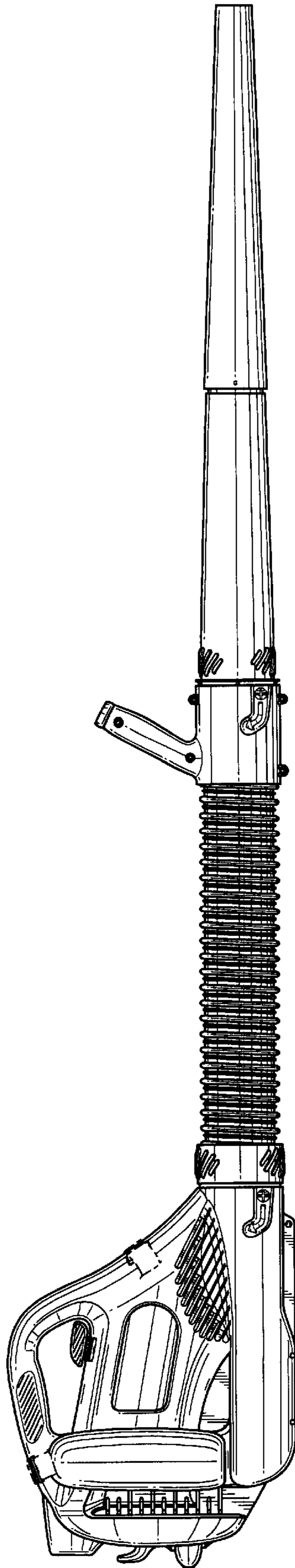


FIG. 2

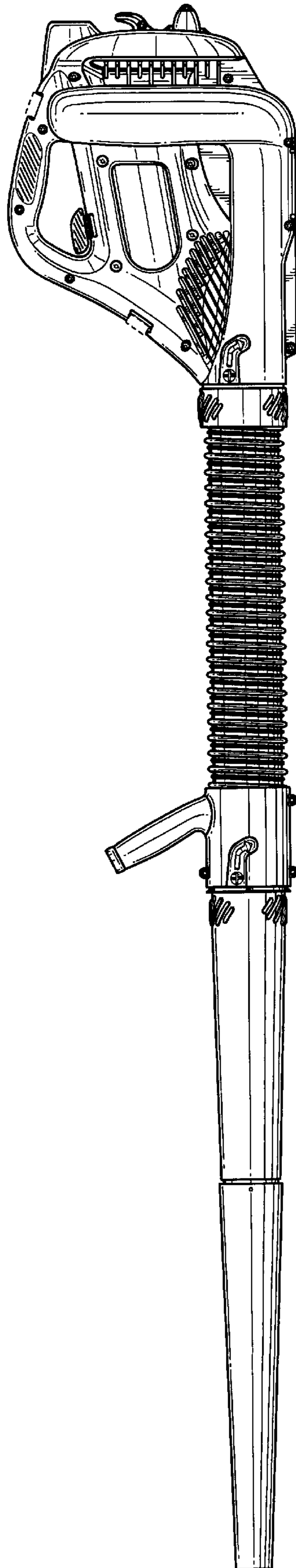


FIG. 3

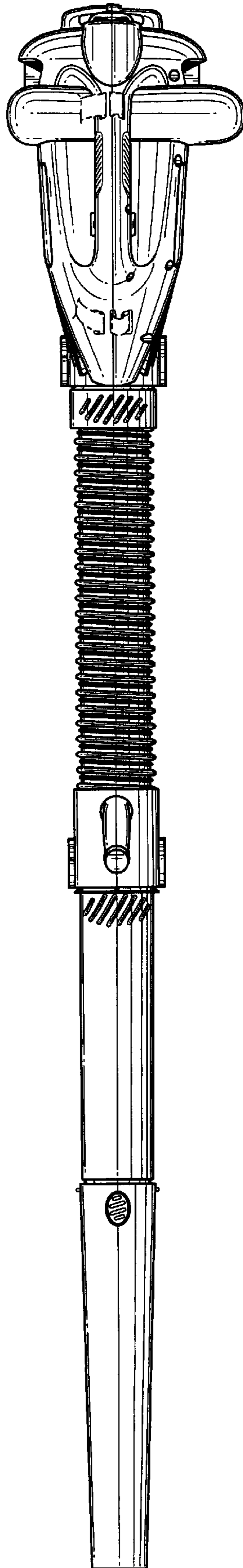


FIG. 4

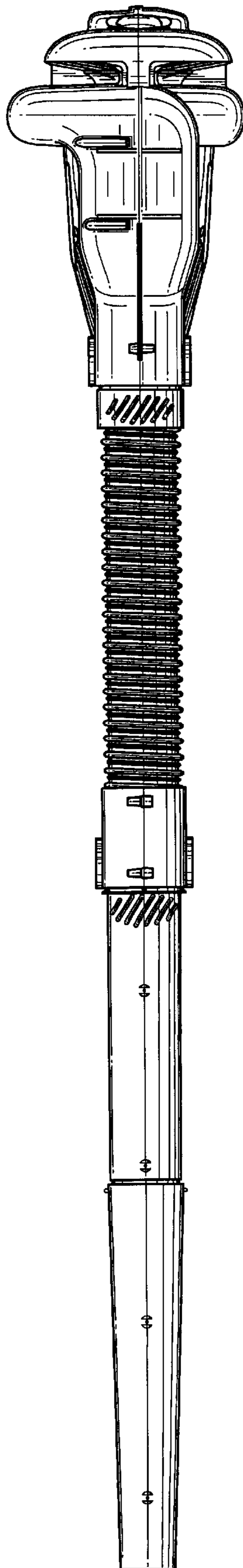


FIG. 5

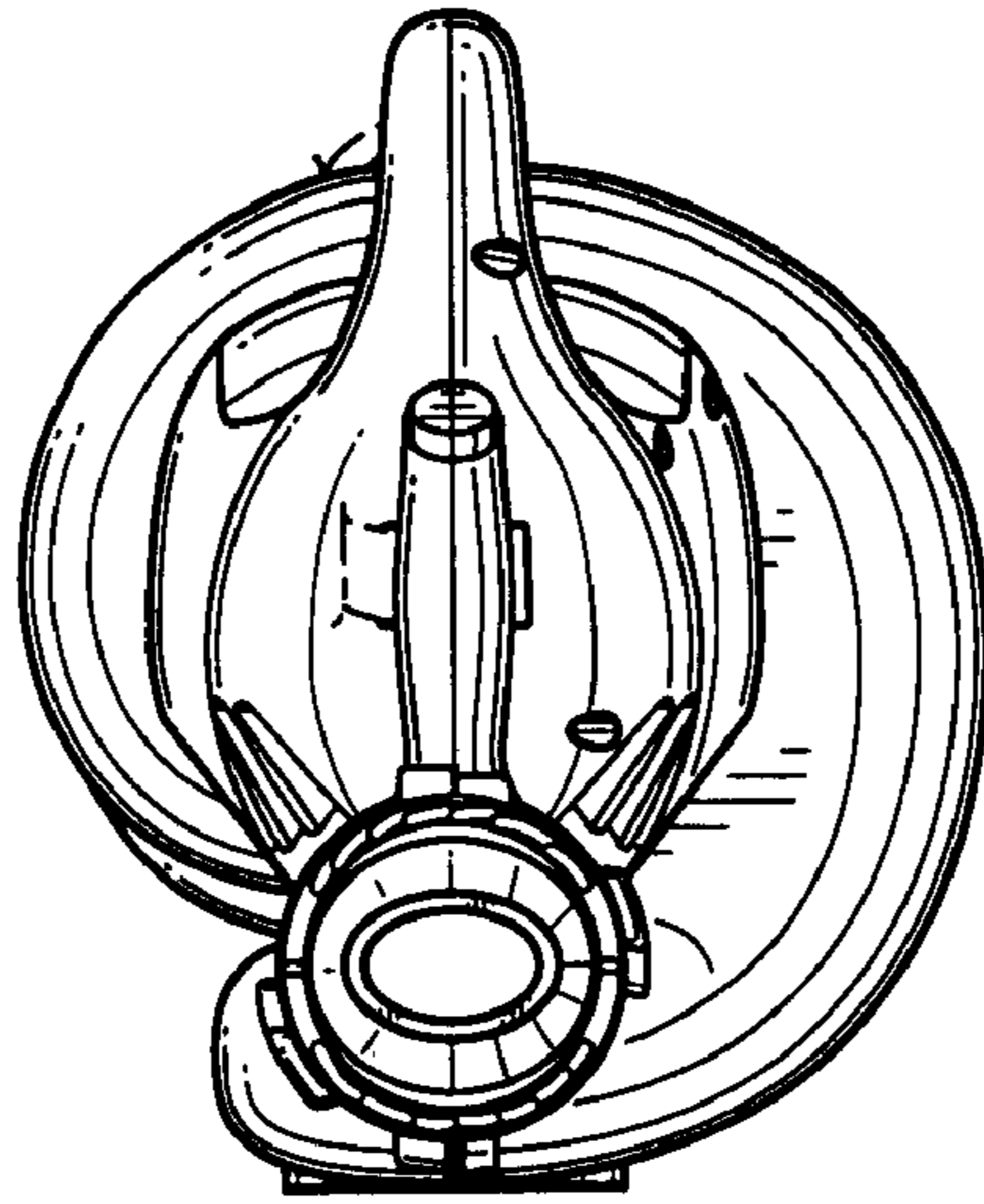


FIG. 6

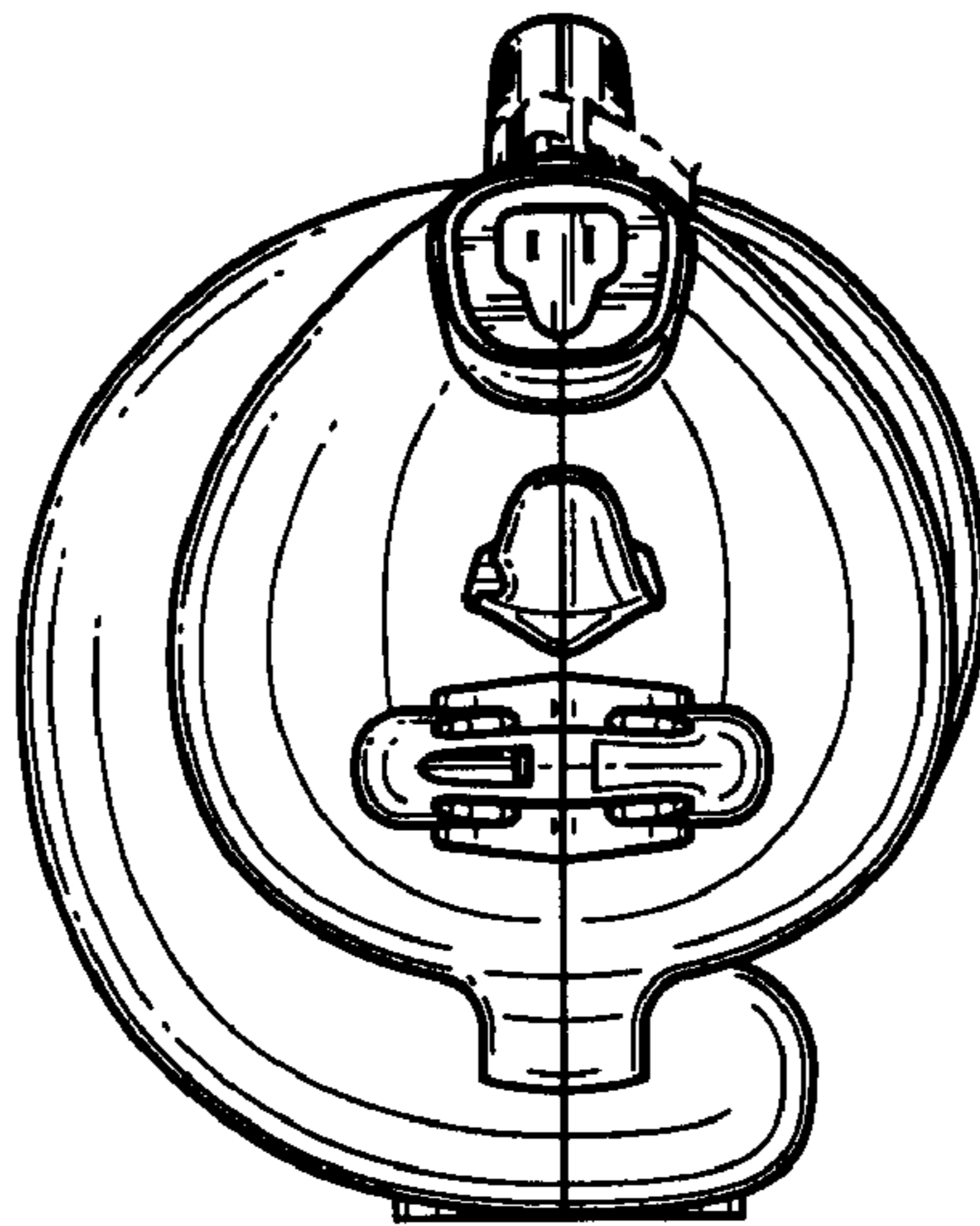


FIG. 7