



US00D468873S

(12) **United States Design Patent**
Varma

(10) **Patent No.:** **US D468,873 S**

(45) **Date of Patent:** **** Jan. 14, 2003**

(54) **ELECTRIC HANGING CLOTHES DRYER AND COVER**

5,996,249 A * 12/1999 Manning 34/621

* cited by examiner

(76) **Inventor:** **Sanjay Varma**, Suite 806 Singga
Comm. Ctn, 148 Connaught Rd West,
Hong Kong (HK)

Primary Examiner—Nelson C. Holtje
(74) *Attorney, Agent, or Firm*—Mark Pilgrim

(**) **Term:** **14 Years**

(57) **CLAIM**

The ornamental design for an electric hanging clothes dryer and cover, as shown and described.

(21) **Appl. No.:** **29/158,096**

(22) **Filed:** **Mar. 28, 2002**

DESCRIPTION

(51) **LOC (7) Cl.** **15-05**

(52) **U.S. Cl.** **D32/6**

(58) **Field of Search** D32/1, 6, 8, 10,
D32/12-13; 68/5 R, 5 A; 34/621, 622;
223/51; 134/135; D19/534

FIG. 1 is a perspective view of a combined electric hanging clothes dryer and cover showing my new design, the clothes cover being in a partially open position, the clothing shown in broken lines is for illustrative purposes only and form no part of the claimed design;

FIG. 2 is a side perspective view thereof, the clothes cover being removed;

FIG. 3 is an enlarged front view of the dryer portion of the design thereof, the support pole, extensions, and clothes cover being removed;

FIG. 4 is an enlarged top plan view of the dryer portion of the design thereof; and,

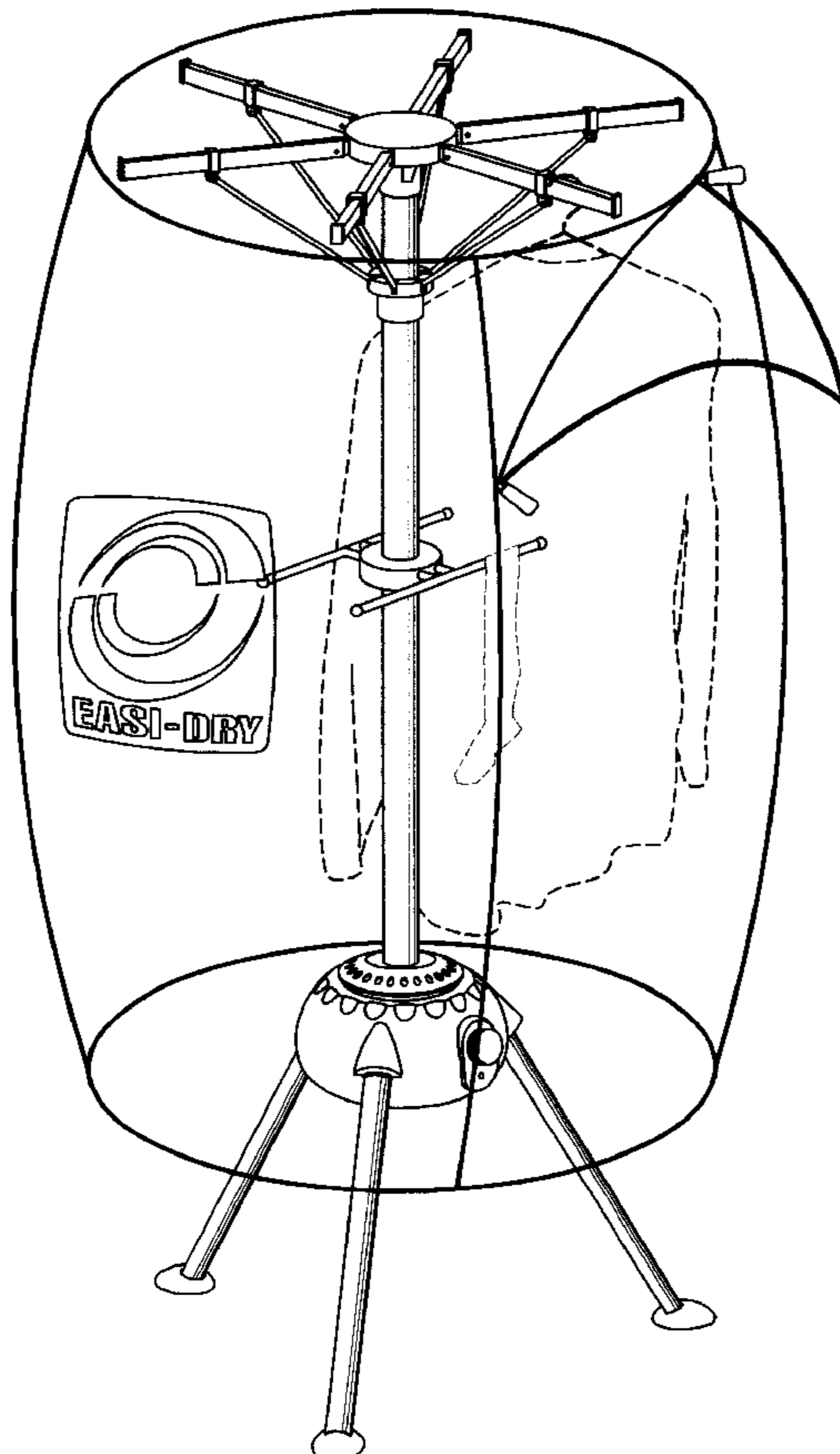
FIG. 5 is an enlarged perspective view of the dryer portion of the design thereof, the support pole, extensions, and clothes cover being removed.

(56) **References Cited**

U.S. PATENT DOCUMENTS

D112,243 S	*	11/1938	Beluche	D32/8
2,834,122 A	*	5/1958	Ashworth	34/665
2,975,529 A	*	3/1961	Weber	34/622
D223,874 S	*	6/1972	Ellis	D32/1
4,035,927 A	*	7/1977	Spiegel	34/622
5,175,944 A	*	1/1993	Fruehauf	34/88
5,223,897 A	*	6/1993	MacDonald et al.	399/46
D339,287 S		9/1993	Henderson		
5,528,912 A	*	6/1996	Weber	68/6

1 Claim, 5 Drawing Sheets



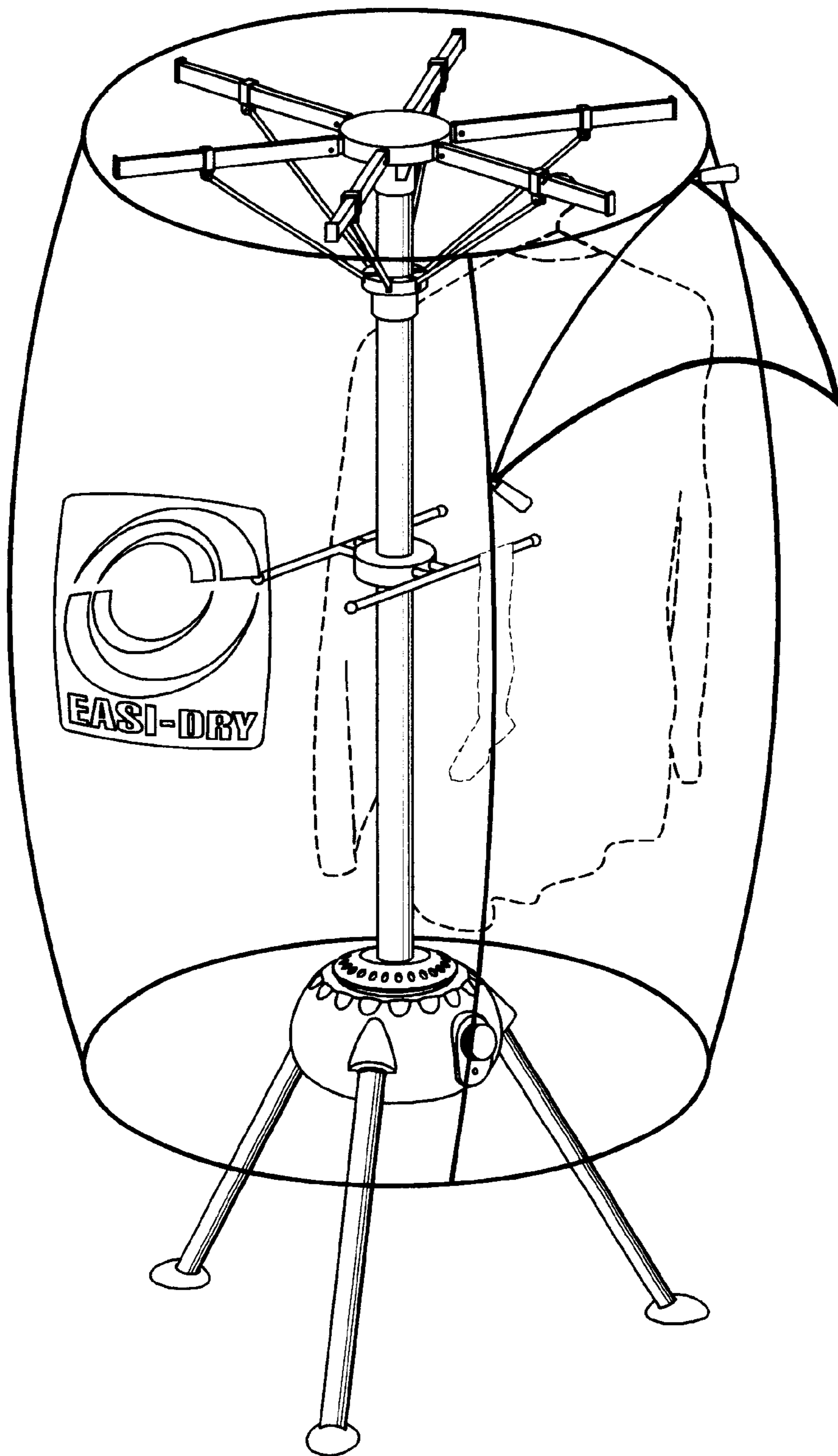


FIG. 1

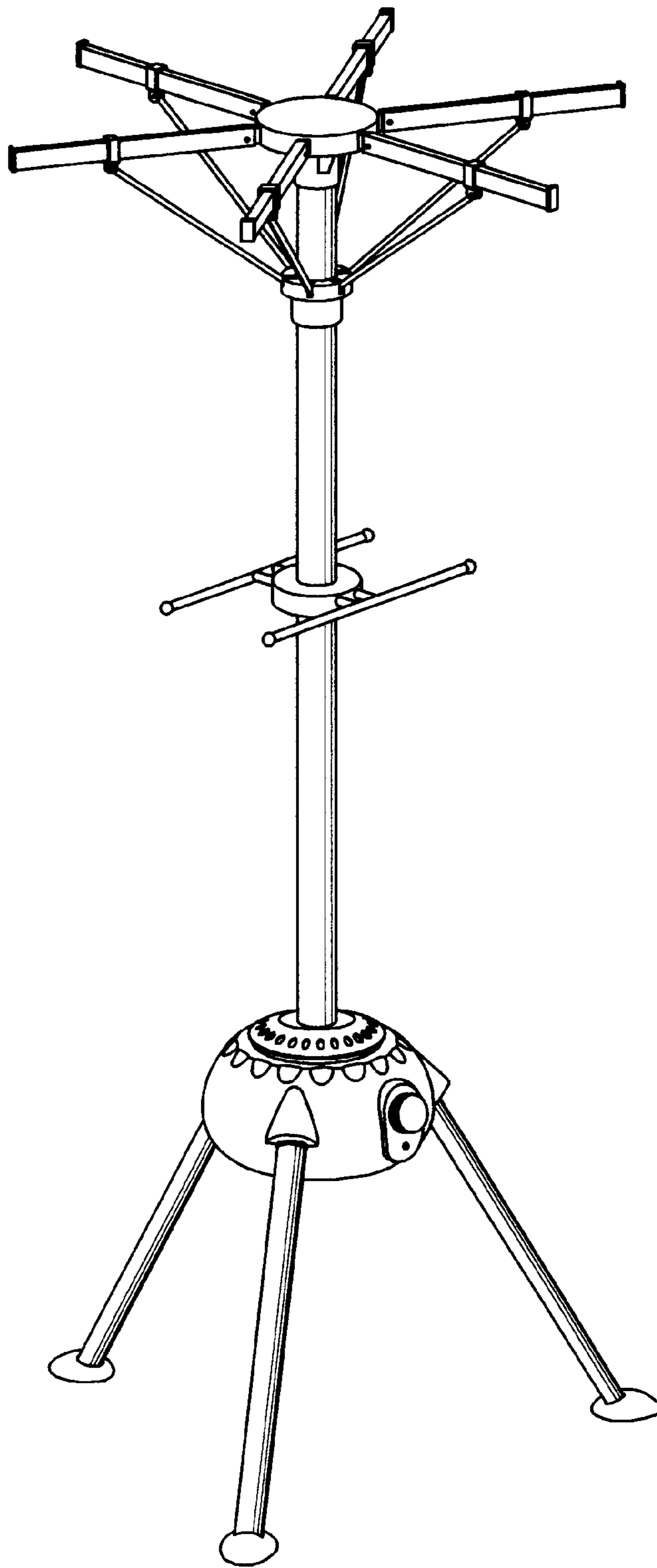


FIG. 2

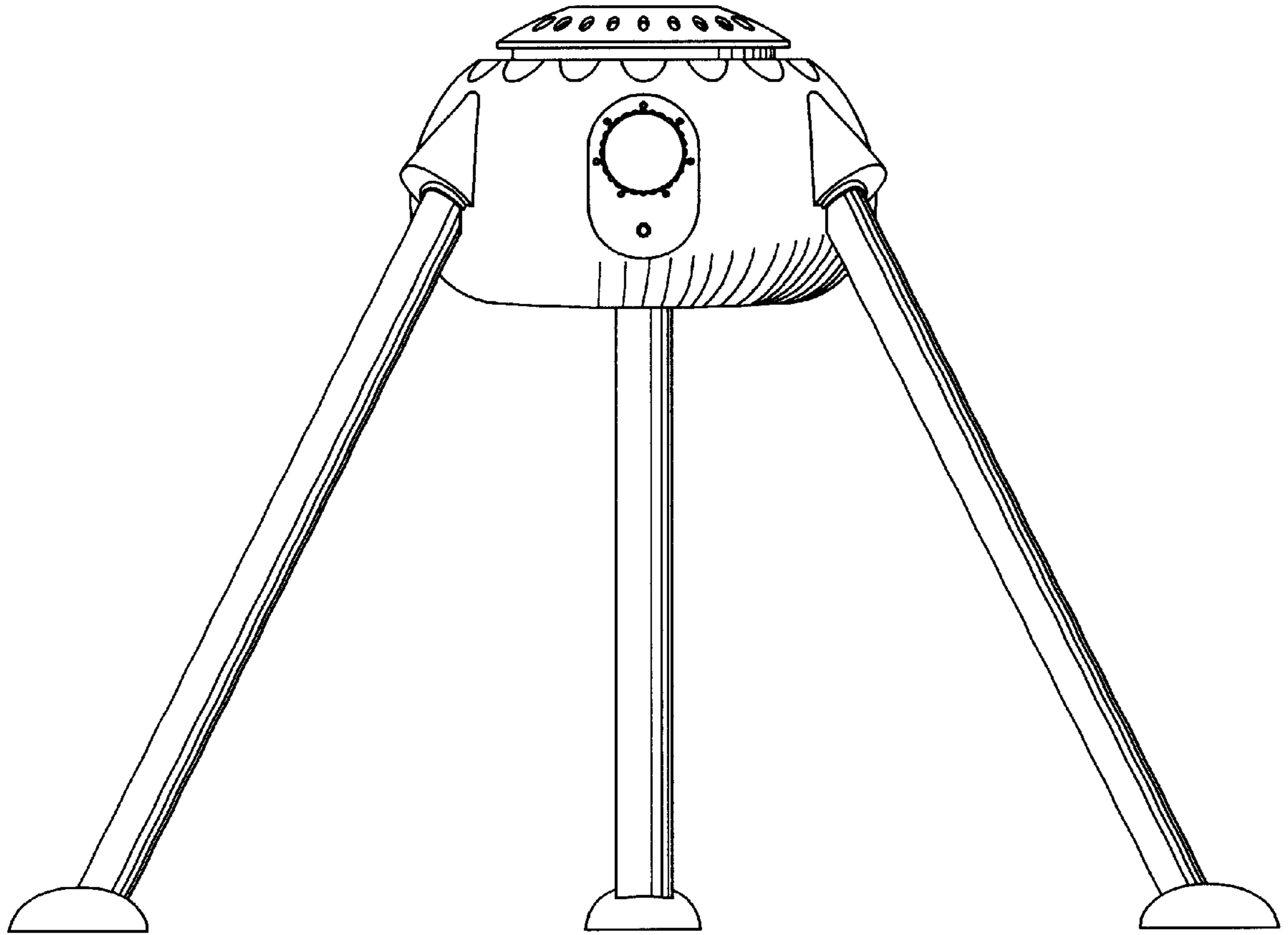


FIG. 3

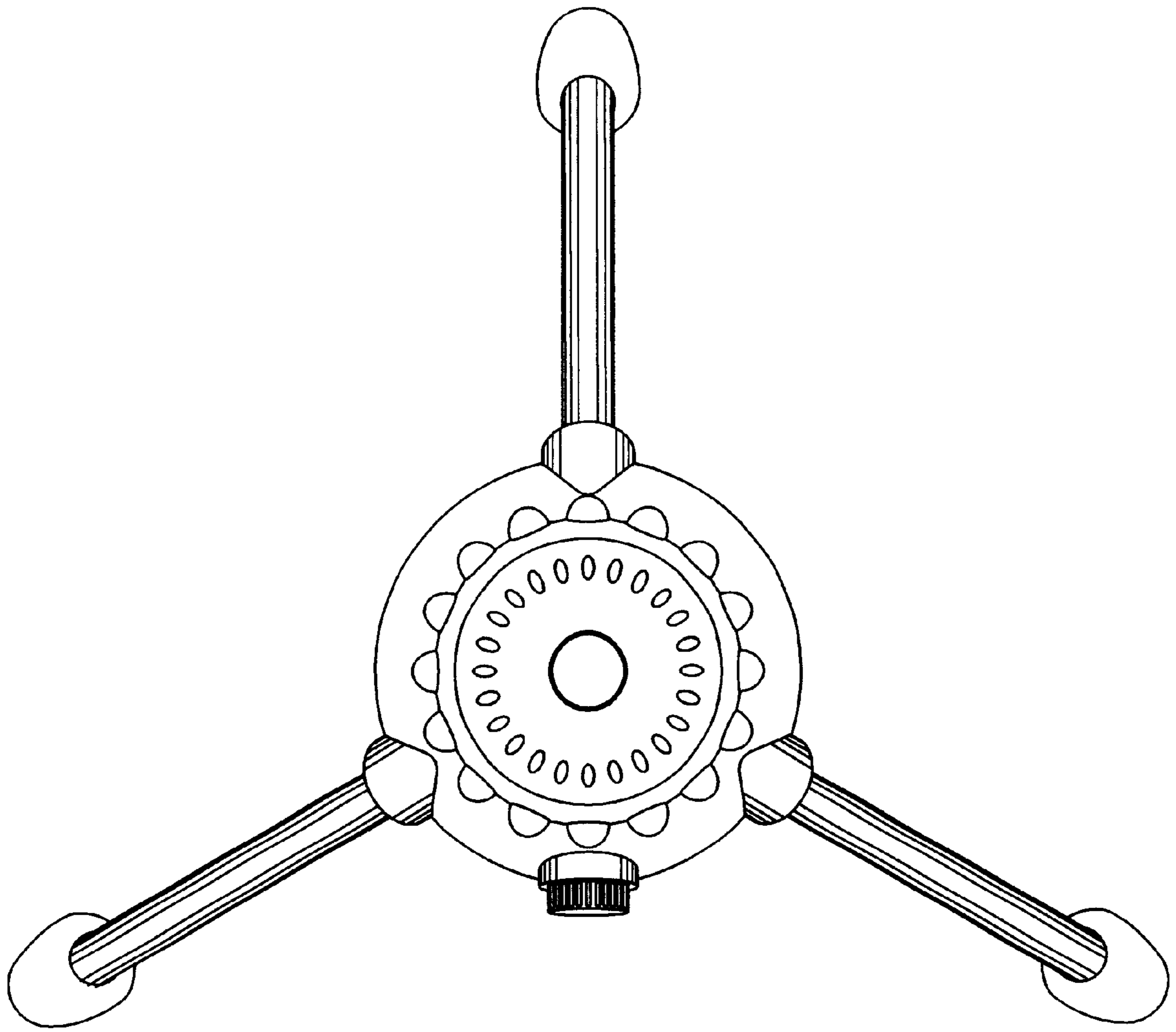


FIG. 4

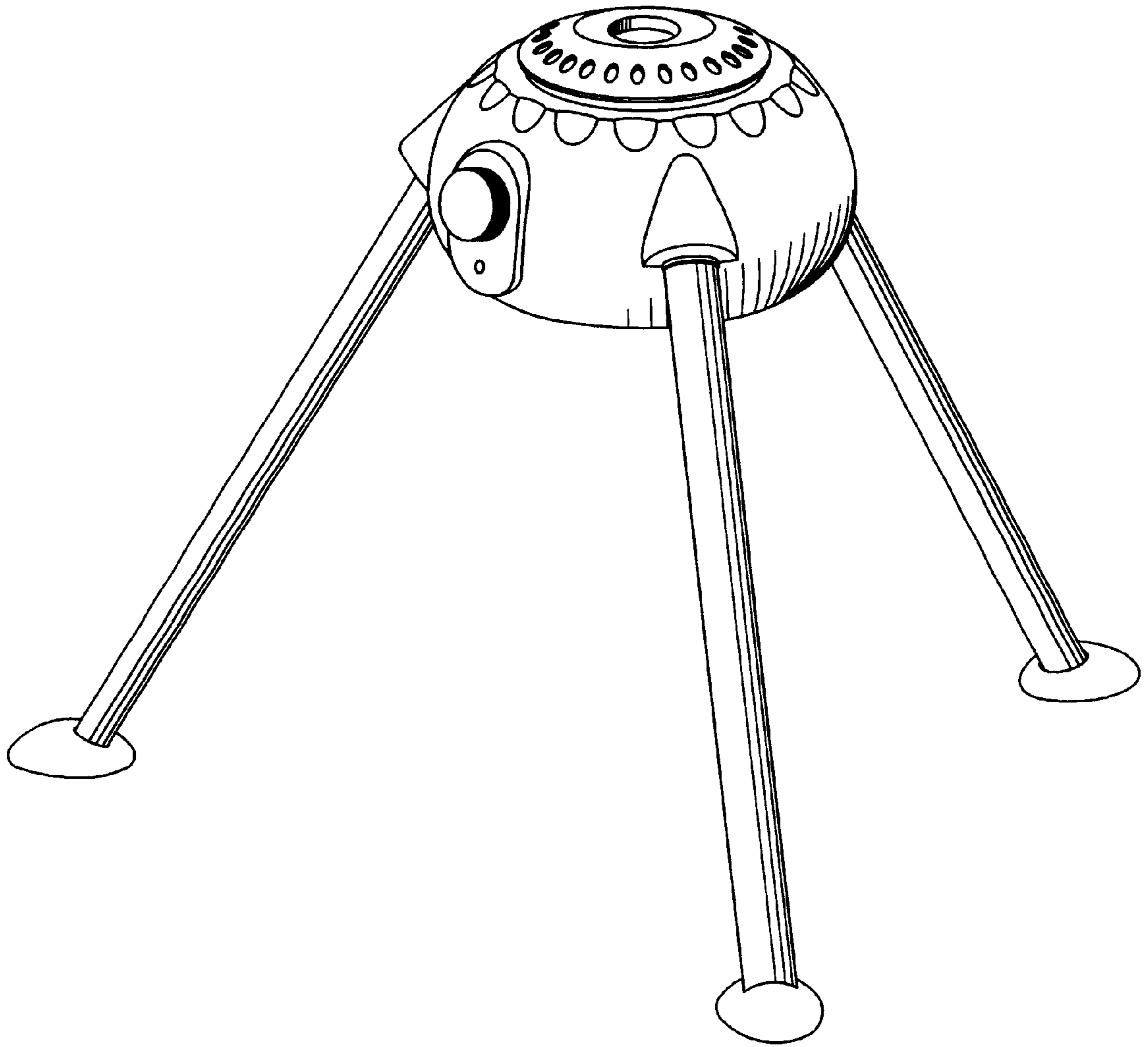


FIG. 5