



US00D468869S

(12) **United States Design Patent**  
**Thorpe et al.**

(10) **Patent No.:** **US D468,869 S**

(45) **Date of Patent:** **\*\* Jan. 14, 2003**

(54) **HINGED LIPSTICK CONTAINER**

(75) Inventors: **Timothy Thorpe**, Chislehurst (GB);  
**Rebecca Louise Goswell**, Richmond (GB)

(73) Assignee: **HCT Limited**, Hong Kong (CN)

(\*\*) Term: **14 Years**

(21) Appl. No.: **29/166,102**

(22) Filed: **Aug. 22, 2002**

(51) **LOC (7) Cl.** ..... **28-02**

(52) **U.S. Cl.** ..... **D28/85**

(58) **Field of Search** ..... D28/76-91; D9/337,  
D9/341, 418, 560, 420, 423; D3/294; 132/286-318,  
320; 401/49-98, 192; 206/235, 581, 823,  
385

(56) **References Cited**

**U.S. PATENT DOCUMENTS**

1,565,142 A	12/1925	Coryell	
1,969,027 A	8/1934	Morrison	206/56
2,104,364 A *	1/1938	Coryell	401/59
2,209,147 A *	7/1940	Bezault	401/61
2,459,733 A	1/1949	Macy	132/79
2,951,584 A	9/1960	Bauer	206/56
D210,057 S *	1/1968	Pfrommer	D28/76
D254,720 S *	4/1980	Schuander	D9/235
D259,399 S *	6/1981	Shiffman	D9/423
D278,750 S *	5/1985	Pisani et al.	D28/4
5,046,875 A *	9/1991	Skolnik	401/49
5,983,905 A	11/1999	Patching	132/318
D425,257 S *	5/2000	Acker et al.	D28/85

6,168,024 B1 *	1/2001	Coates et al.	206/581
6,193,427 B1	2/2001	Benguigui	401/88
D439,017 S	3/2001	Fang	D28/77

**FOREIGN PATENT DOCUMENTS**

XH DM/056378 \* 3/2001 ..... 28/2

\* cited by examiner

*Primary Examiner*—Ted Shooman

*Assistant Examiner*—C Tuttle

(74) *Attorney, Agent, or Firm*—Norris, McLaughlin & Marcus

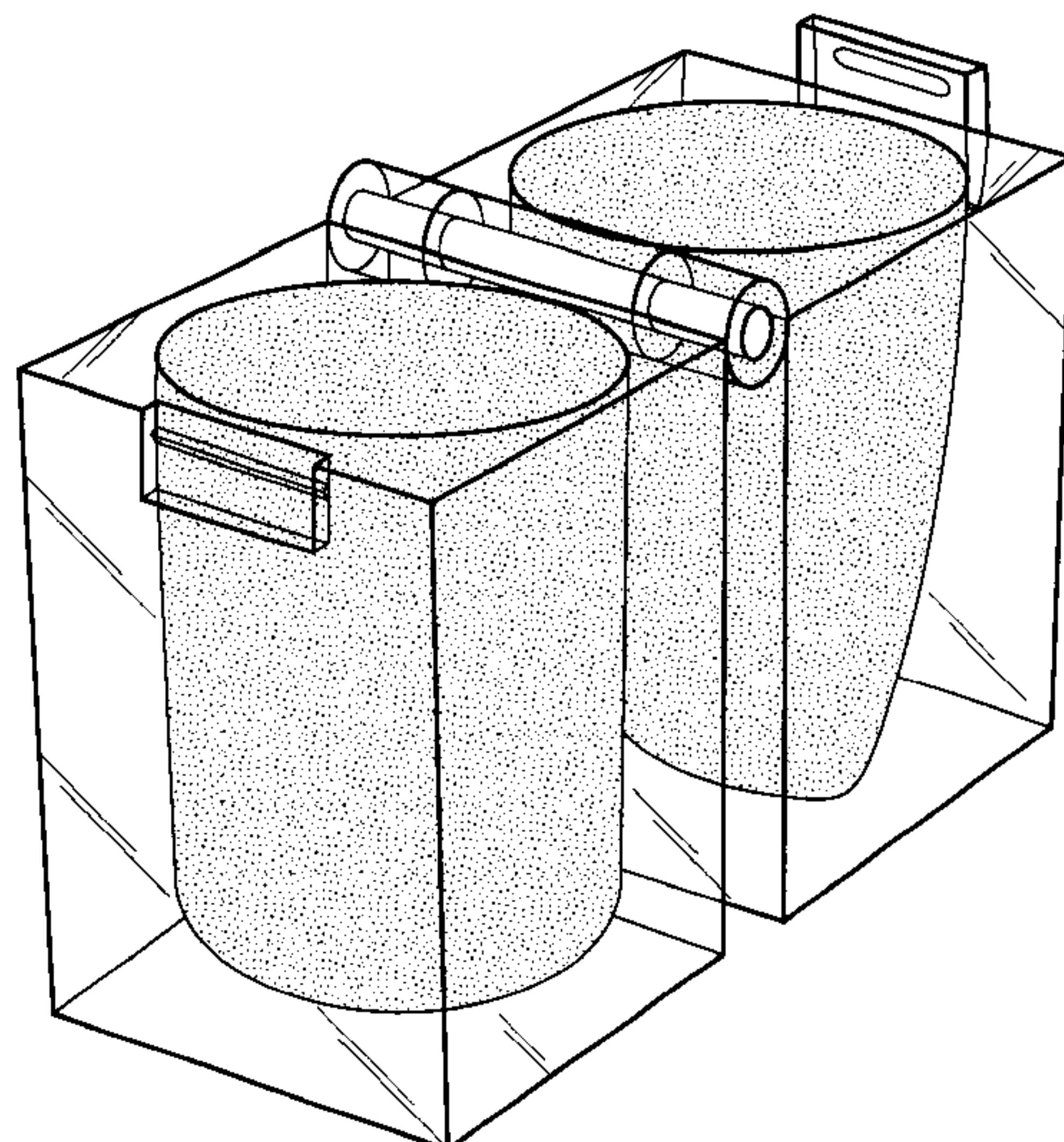
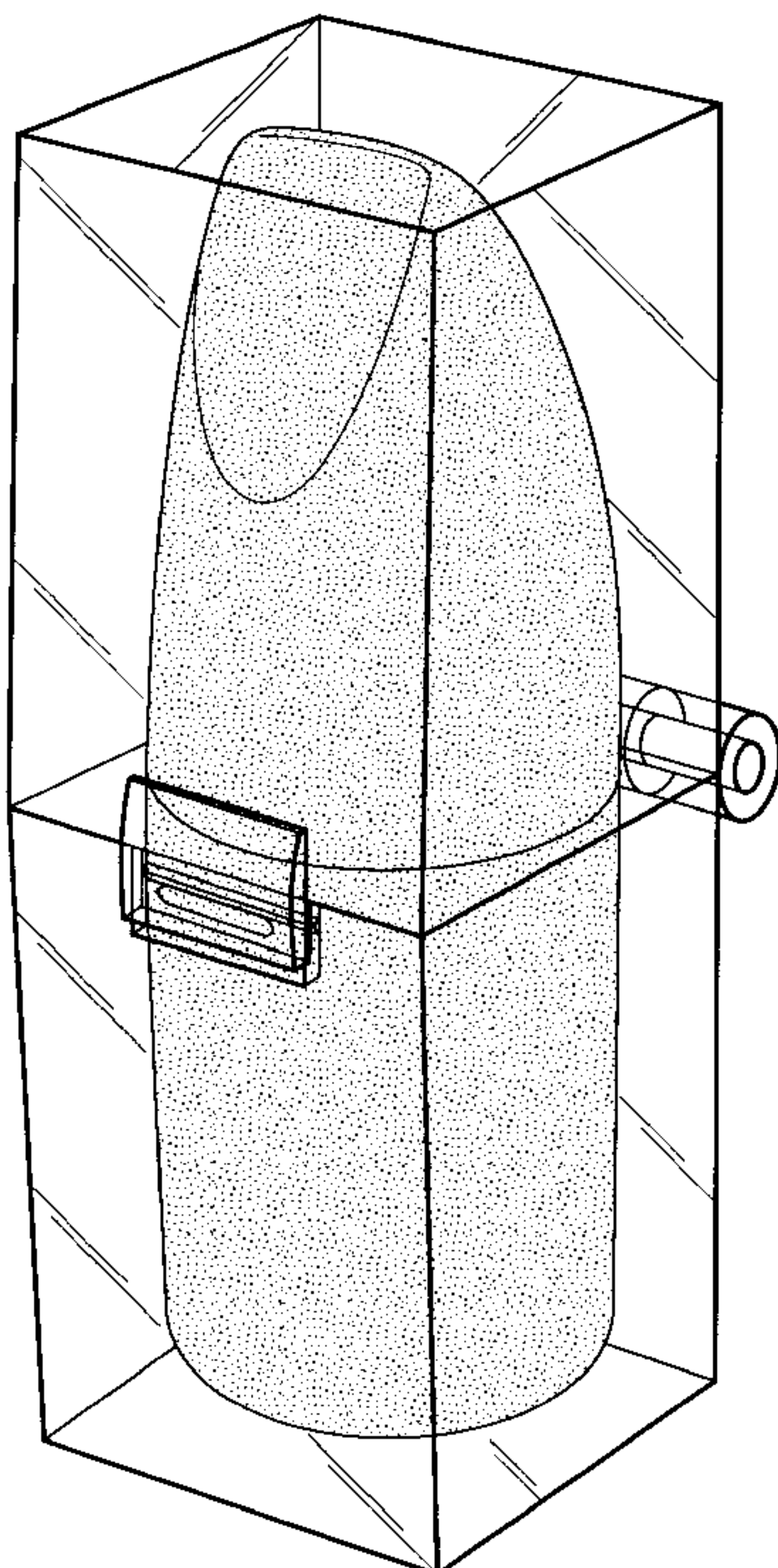
(57) **CLAIM**

The ornamental design for a hinged lipstick container, as shown and described.

**DESCRIPTION**

FIG. 1 is a top perspective view showing our new design with its cover in a closed position;  
 FIG. 2 is a front end elevational view showing the cover in its closed position;  
 FIG. 3 is a right side elevational view showing the cover in its closed position;  
 FIG. 4 is a back end elevational view showing the cover in its closed position;  
 FIG. 5 is a top plan view showing the cover in its closed position;  
 FIG. 6 is a bottom plan view showing the cover in its closed position; and,  
 FIG. 7 is a top perspective view showing the cover in its open position.

**1 Claim, 3 Drawing Sheets**



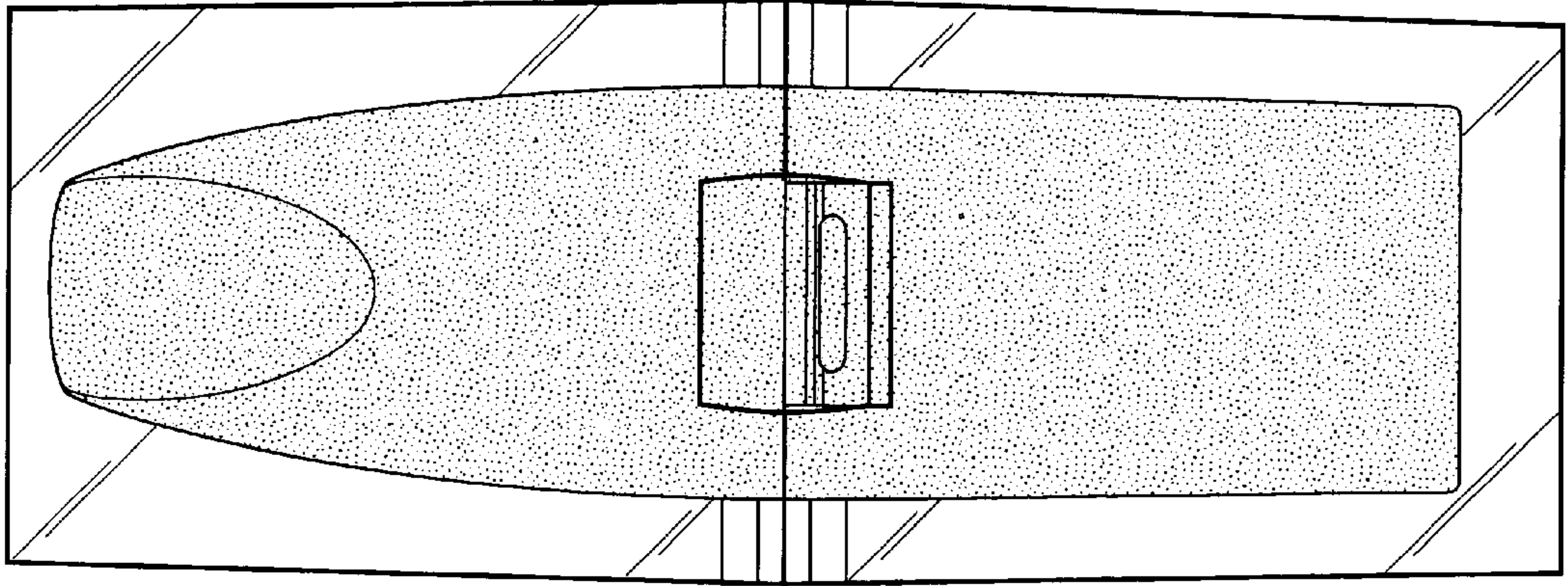


FIG. 2

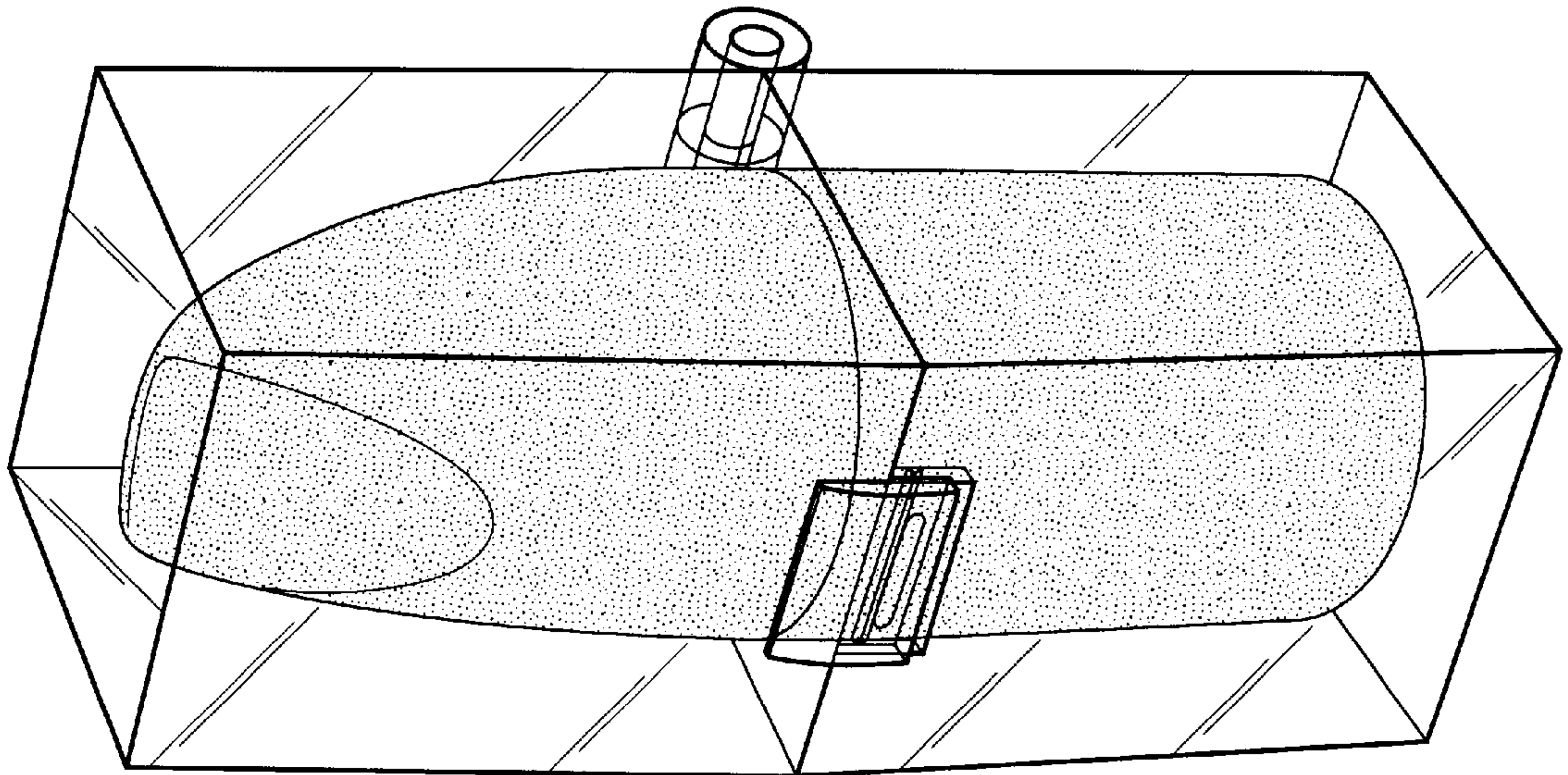


FIG. 1



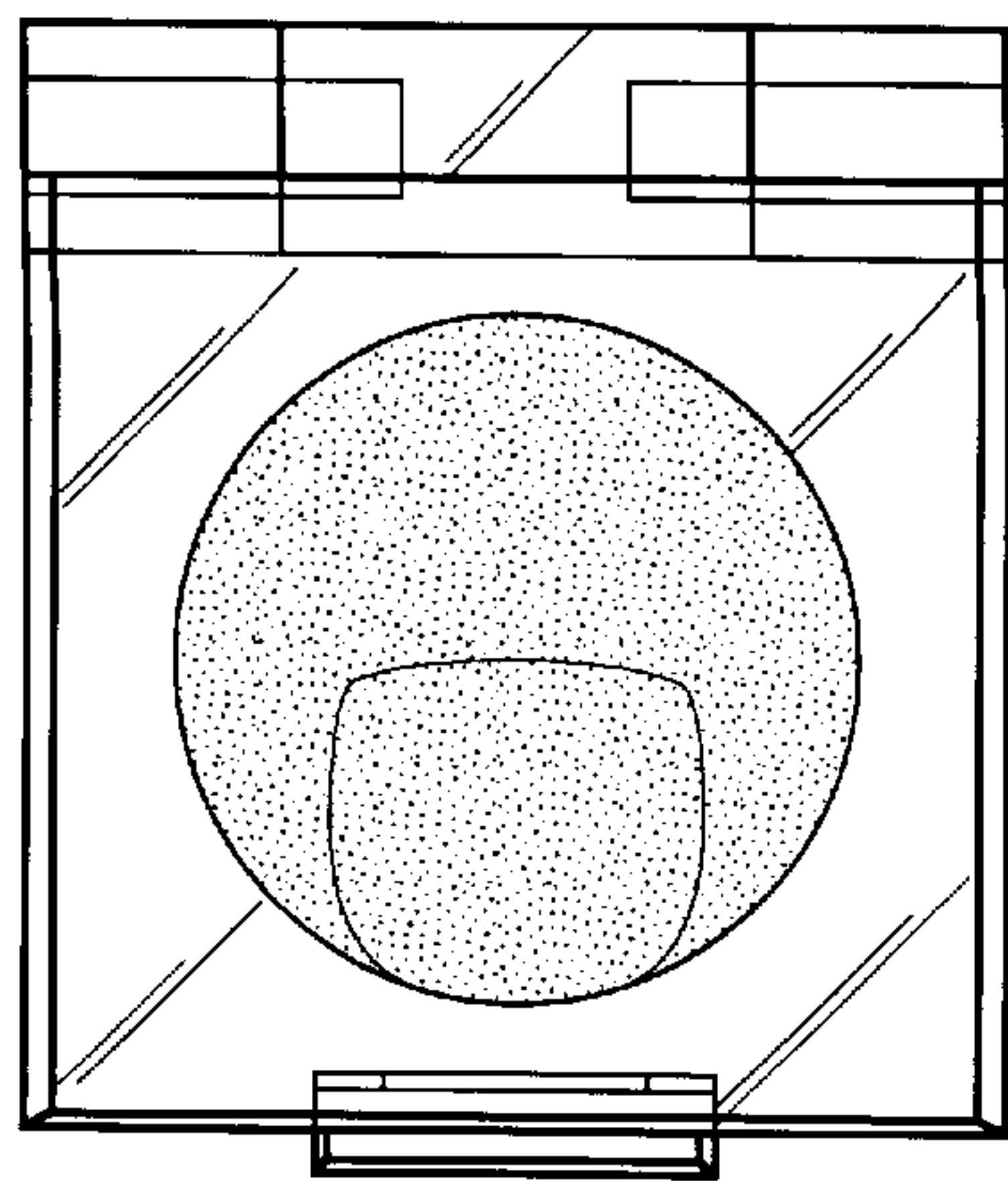


FIG. 5

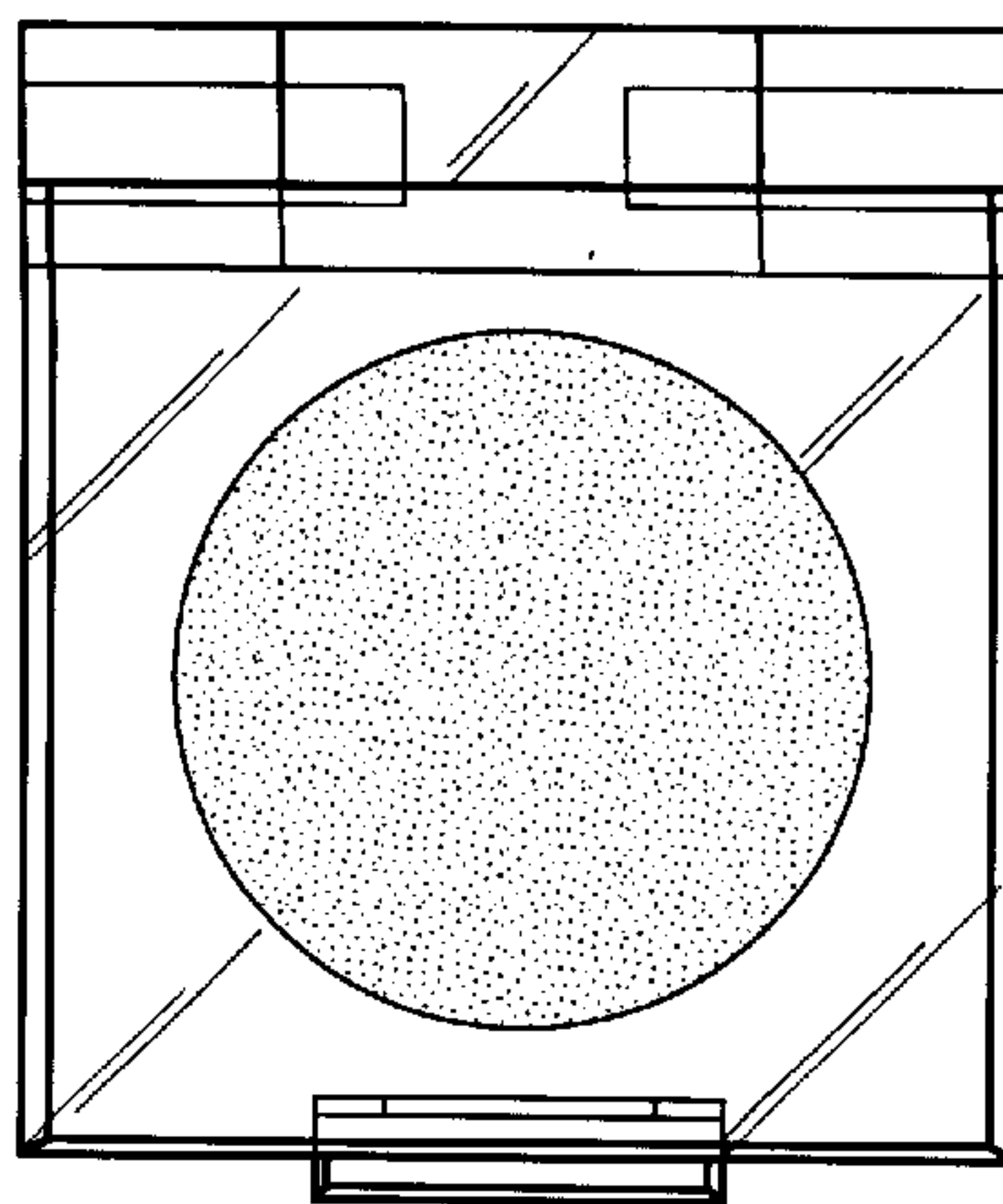


FIG. 6

FIG. 4

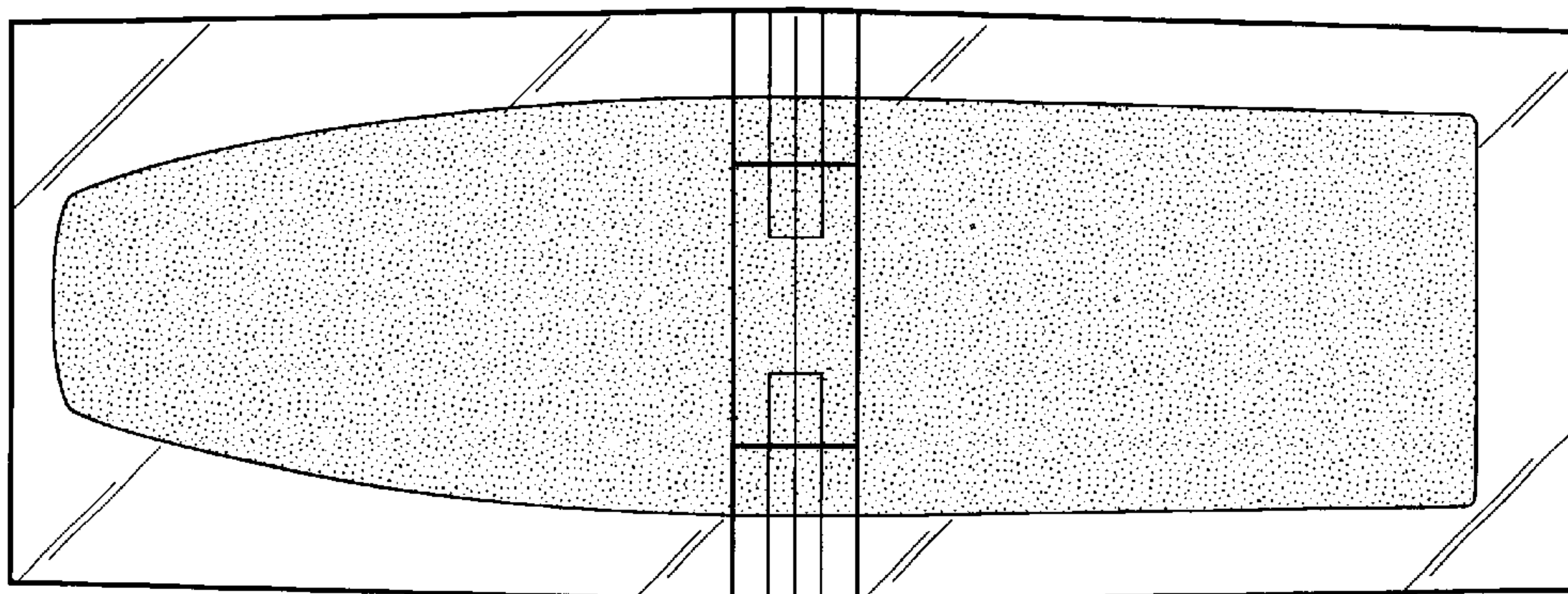
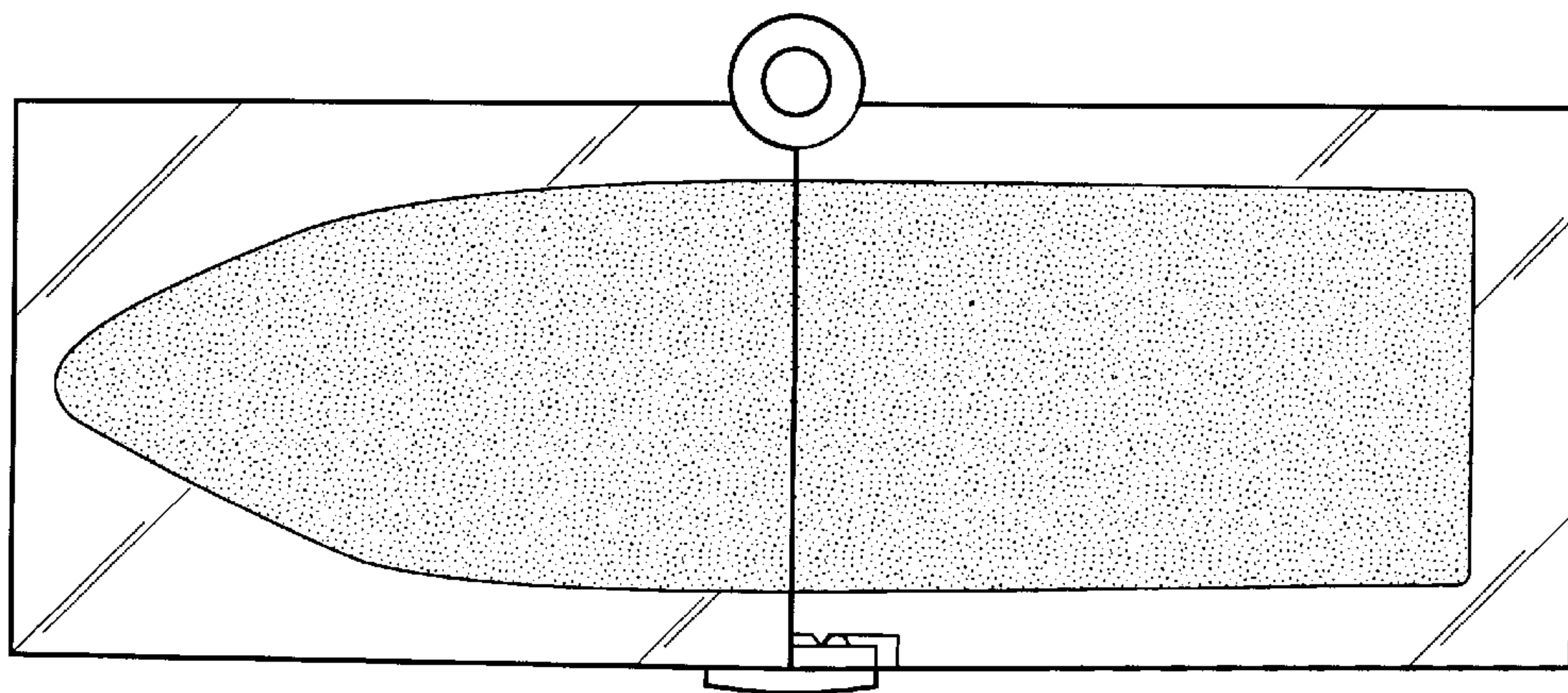


FIG. 3



**FIG. 7**

