



US00D468868S

(12) **United States Design Patent**
Thorpe et al.

(10) **Patent No.:** **US D468,868 S**

(45) **Date of Patent:** **** Jan. 14, 2003**

(54) **COSMETIC CONTAINER WITH
RECTANGULAR RECEPTACLES**

D433,538 S * 11/2000 Wardlaw D28/78
6,422,245 B1 * 7/2002 Song 132/295

(75) Inventors: **Timothy Thorpe**, Chislehurst (GB);
Rebecca Louise Goswell, Richmond
(GB)

FOREIGN PATENT DOCUMENTS

JP 2000-166638 * 6/2000 A45D/33/18

(73) Assignee: **HCT Limited**, Hong Kong (CN)

OTHER PUBLICATIONS

(**) Term: **14 Years**

Beauty Fashion Mar. 1981, p. 27: compacts indicated by
arrows.*

(21) Appl. No.: **29/166,243**

Advertising insert card from Glamour Sep. 1994: Revlon
compact.*

(22) Filed: **Aug. 22, 2002**

Hong Kong Toys, Jan. 1996, p. 460: item No. 2012.*

(51) **LOC (7) Cl.** **28-02**

Hong Kong Toys, Feb. 2001, p. 9: compact indicated by
arrow.*

(52) **U.S. Cl.** **D28/83**

* cited by examiner

(58) **Field of Search** D28/76-91; D9/341,
D9/347, 418, 420, 423, 337; D3/294, 295;
132/286-318; 206/235, 581, 823; 220/DIG. 26

Primary Examiner—Ted Shooman

Assistant Examiner—C. Tuttle

(56) **References Cited**

(74) *Attorney, Agent, or Firm*—Norris, McLaughlin &
Marcus

U.S. PATENT DOCUMENTS

(57) **CLAIM**

- 1,065,898 A 6/1913 Goerdes
- 2,117,671 A 5/1938 Lampl 132/79
- 2,761,458 A 9/1956 Werber 132/83
- D206,845 S * 1/1967 Ross D28/76
- 4,126,145 A 11/1978 Boyd 132/83
- D268,292 S * 3/1983 Chevassus D28/83
- 4,421,127 A 12/1983 Geer 132/83
- 4,555,020 A 11/1985 Campello et al. 206/235
- 4,589,430 A 5/1986 Sussman 132/82
- D290,297 S 6/1987 Schemmer D28/78
- D293,724 S 1/1988 Kingsford et al. D28/83
- D303,582 S 9/1989 Gavin D28/78
- 4,951,692 A 8/1990 Yuhara et al. 132/293
- D310,735 S * 9/1990 Ferrari D28/76
- 5,005,697 A 4/1991 Jimbo et al. 206/235
- 5,092,354 A 3/1992 Pacelli 132/294
- D339,883 S * 9/1993 Madar D28/83
- D344,412 S 2/1994 Barnhart D3/275
- D345,826 S 4/1994 Byars D28/83
- 5,318,053 A 6/1994 Barnhart 132/297
- D397,831 S 9/1998 Stoecker D28/78
- 5,813,420 A 9/1998 Sussman 132/294
- D409,801 S * 5/1999 Kim D28/83
- D411,648 S 6/1999 Markham D28/77
- D422,753 S * 4/2000 Einarson D28/77

The ornamental design for a cosmetic container with rect-
angular receptacles, as shown and described.

DESCRIPTION

FIG. 1 is a top perspective view showing our new design
with its cover in a closed position;
FIG. 2 is a top plan view showing the cover in its closed
position;
FIG. 3 is a front end elevational view showing the cover in
its closed position;
FIG. 4 is a right side elevational view showing the cover in
its closed position;
FIG. 5 is a back end elevational view showing the cover in
its closed position;
FIG. 6 is a left side elevational view showing the cover in
its closed position;
FIG. 7 is a bottom plan view showing the cover in its closed
position; and,
FIG. 8 is a top perspective view showing the cover in its
open position.

1 Claim, 3 Drawing Sheets

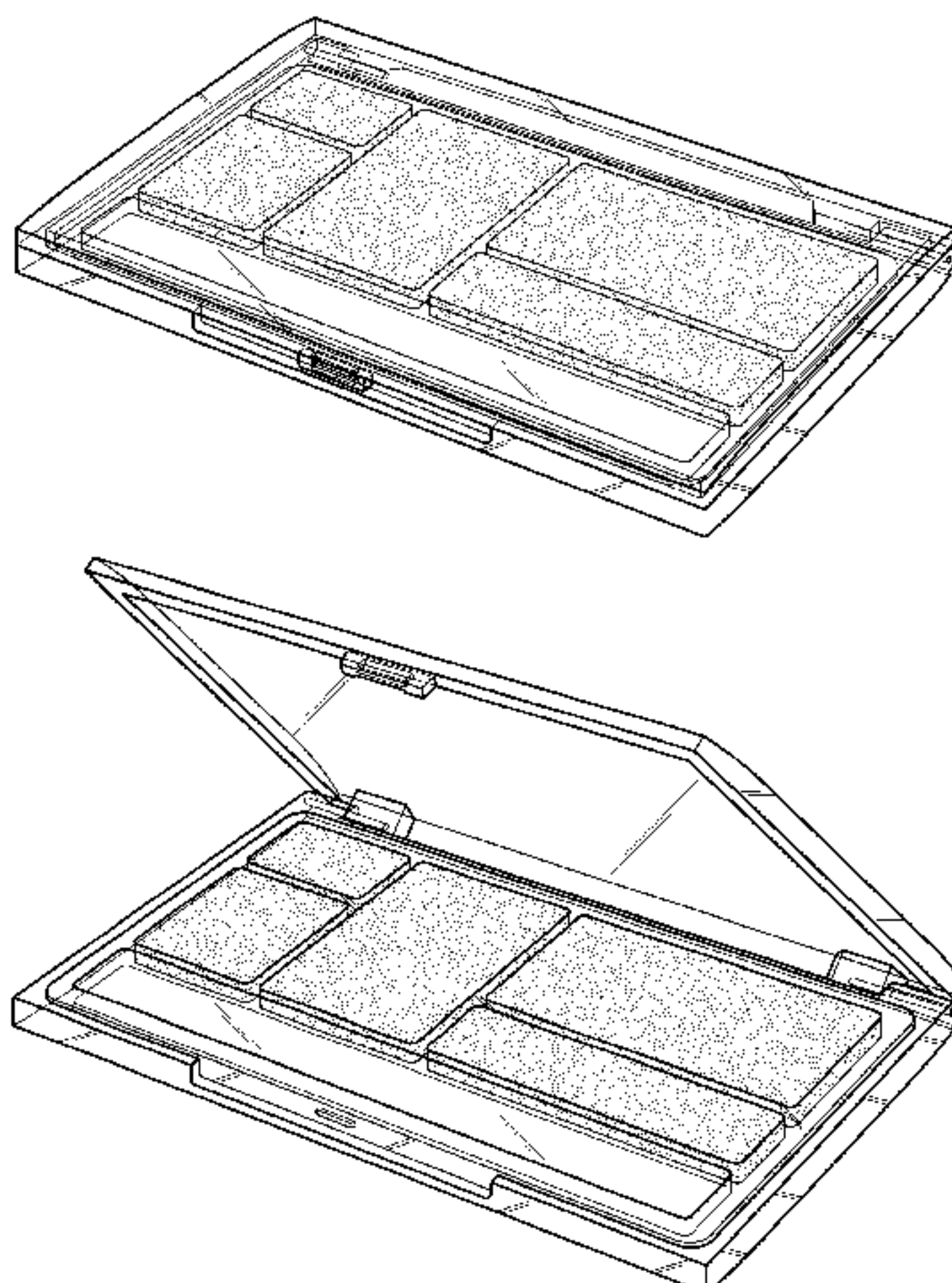


FIG. 1

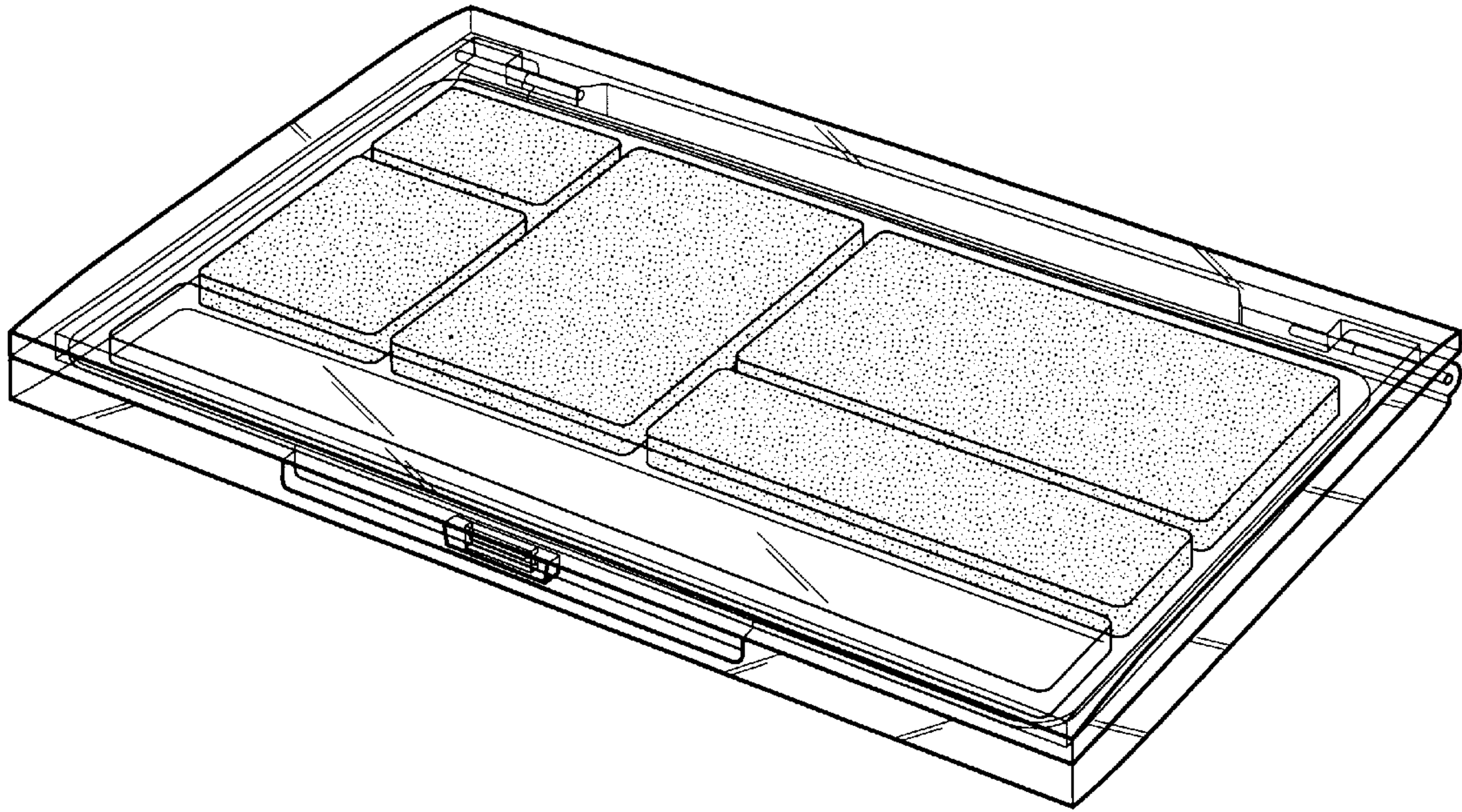


FIG. 2

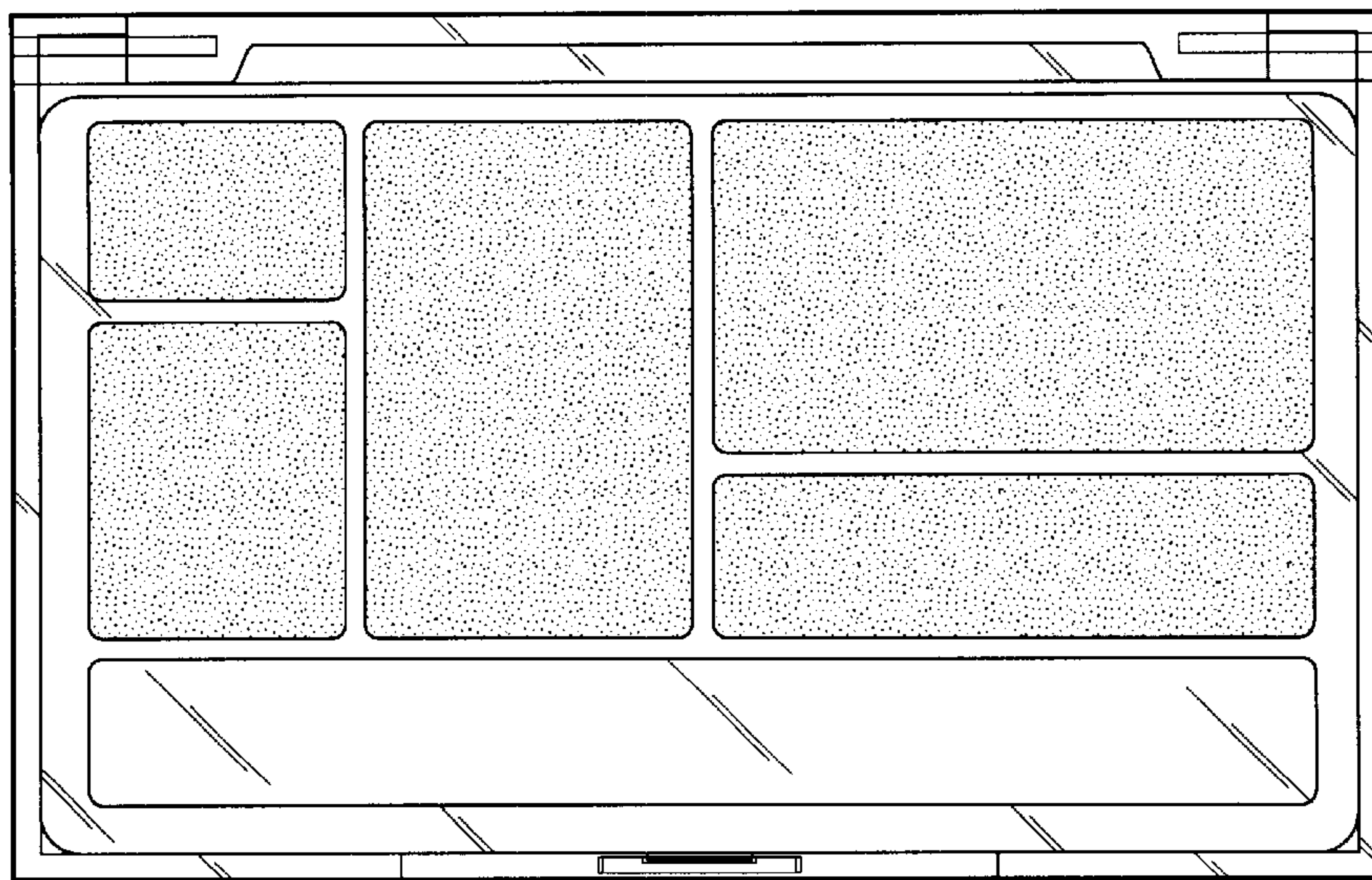


FIG. 3

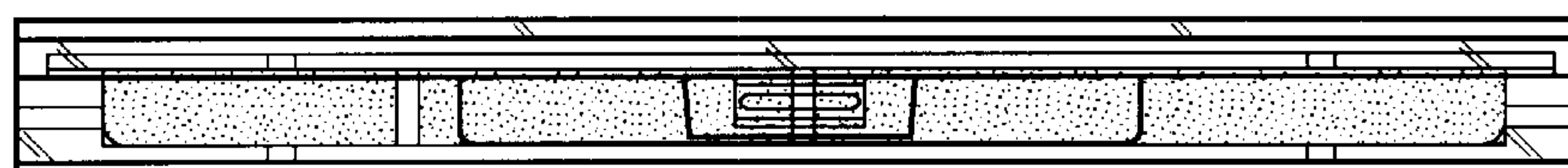


FIG. 4

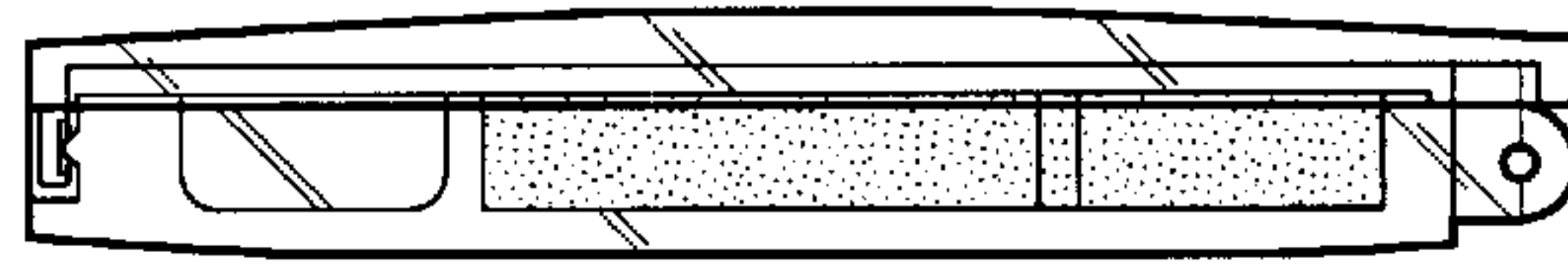


FIG. 5

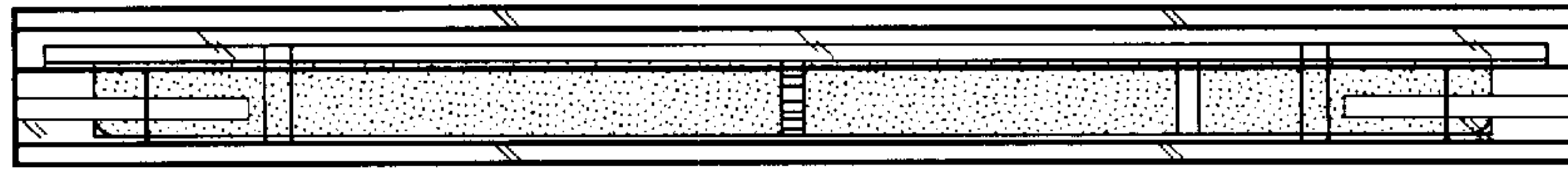


FIG. 6

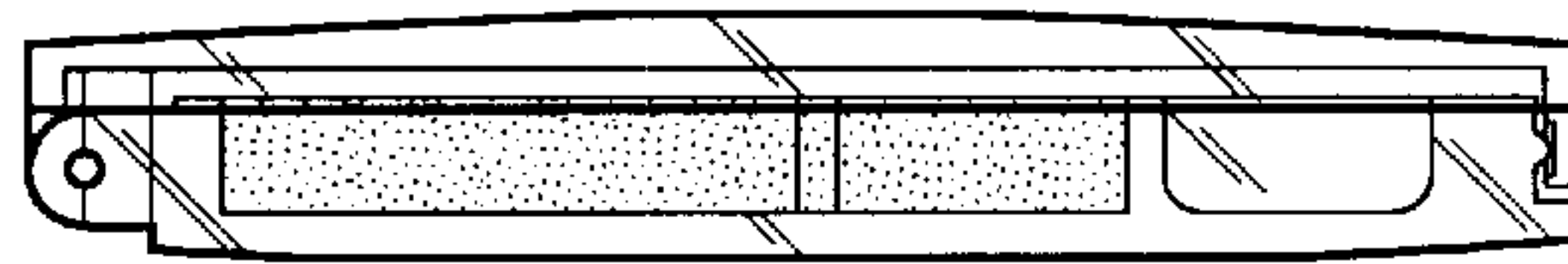


FIG. 7

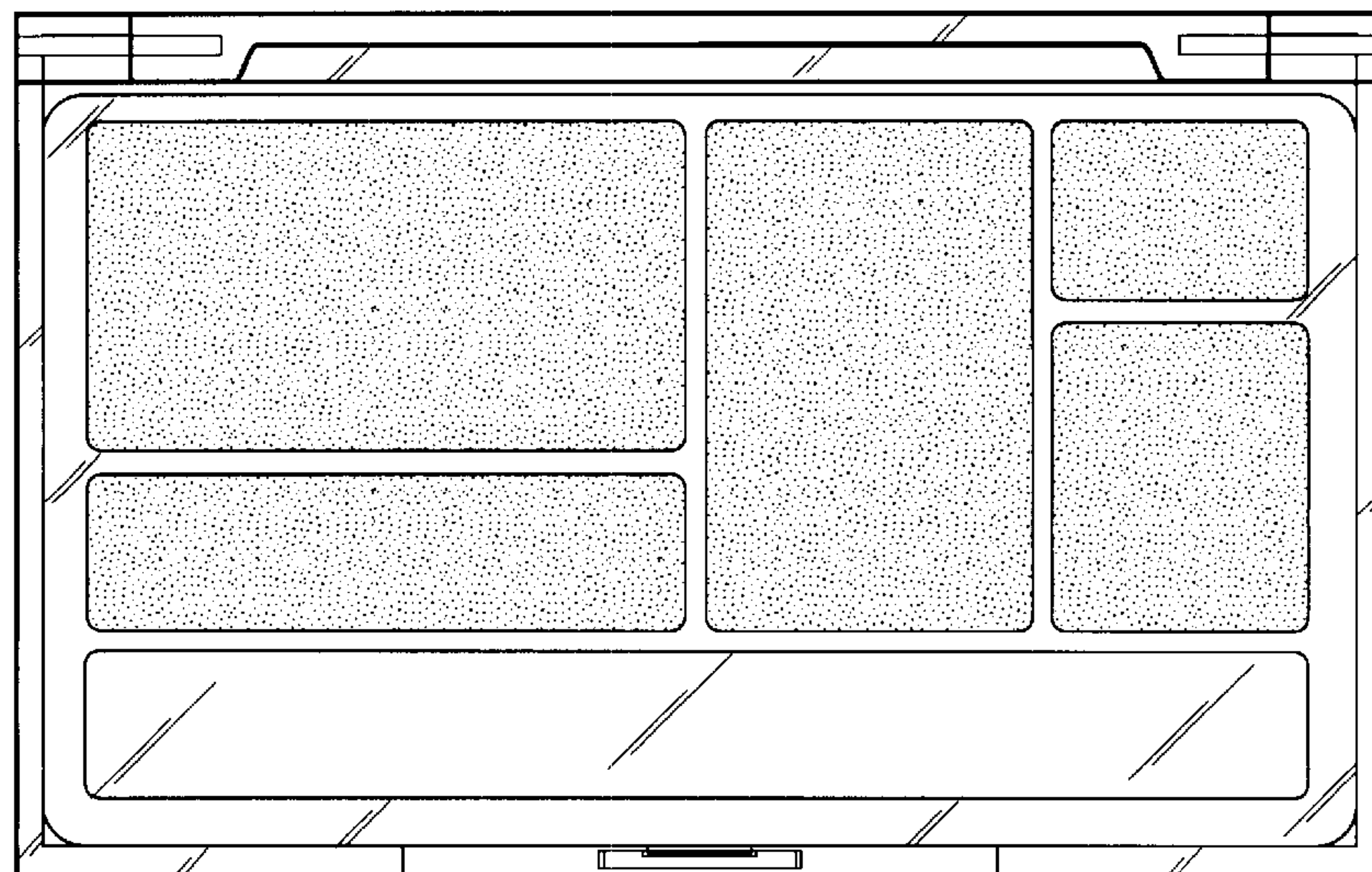


FIG. 8

