



US00D468865S

(12) **United States Design Patent**
Park

(10) **Patent No.:**

US D468,865 S

(45) **Date of Patent:**

**** Jan. 14, 2003**

(54) **NAIL CLIPPER**

2,570,025 A * 10/1951 Davis 30/28
3,986,257 A * 10/1976 Kiura 30/28

(76) Inventor: **Kyunghan Park**, #21-52, Yokohon-1
dong, Eunpyoung-ku, Seoul (KR)

* cited by examiner

(**) Term: **14 Years**

Primary Examiner—Mitchell Siegel

Assistant Examiner—C Tuttle

(21) Appl. No.: **29/129,412**

(74) *Attorney, Agent, or Firm*—Whitham, Curtis &
Christofferson, P.C.

(22) Filed: **Sep. 15, 2000**

(30) **Foreign Application Priority Data**

Mar. 15, 2000 (KR) 2000-6505

(57) **CLAIM**

The ornamental design for a nail clipper, as shown and
described.

(51) **LOC (7) Cl.** **28-02**

DESCRIPTION

(52) **U.S. Cl.** **D28/60**

(58) **Field of Search** D28/60, 62; 132/73,
132/73.5, 75.3, 75.4, 75.5, 75.6, 76.2; 30/26,
28

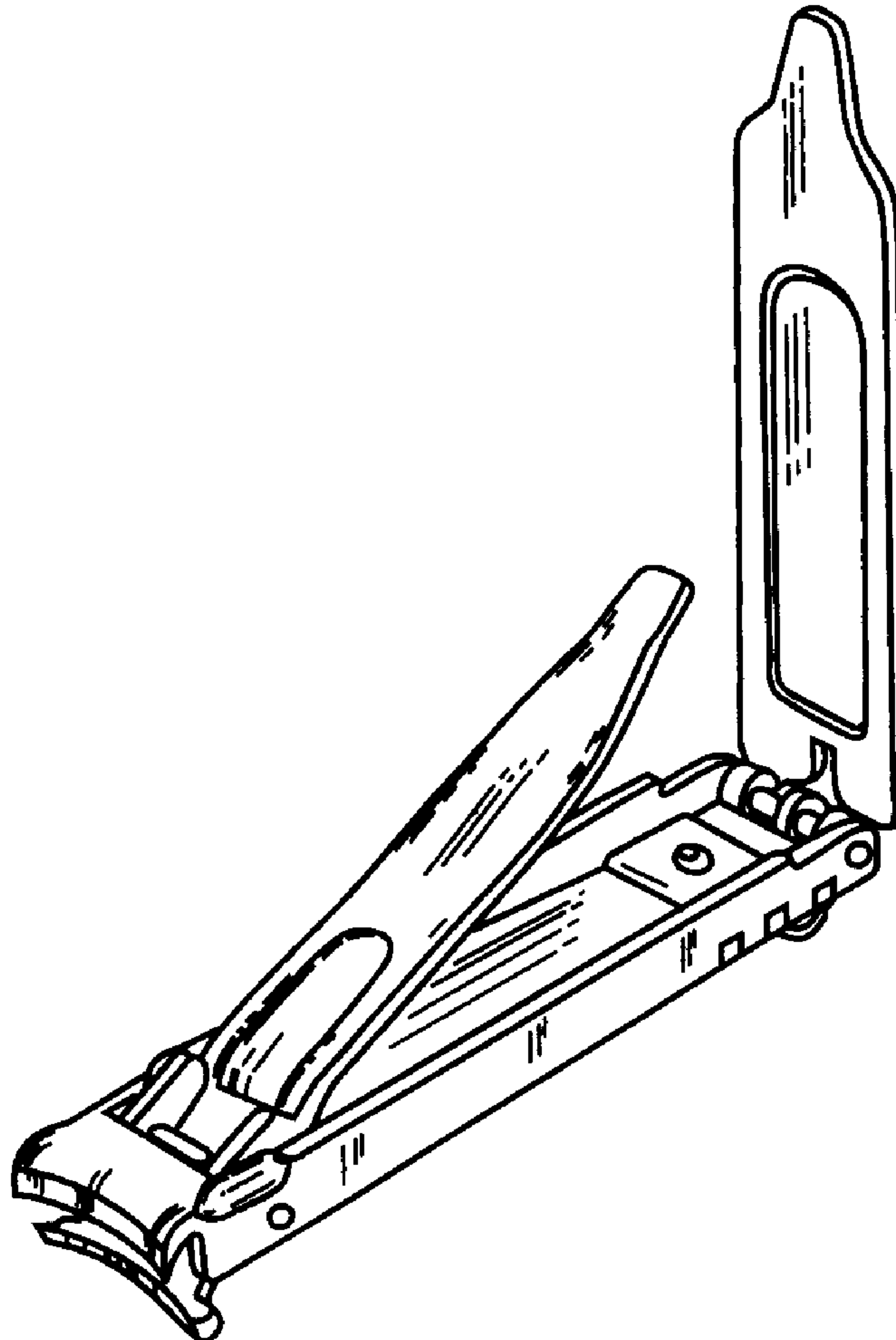
FIG. 1 is a perspective view of a nail clipper;
FIG. 2 is a front view thereof;
FIG. 3 is a rear view thereof;
FIG. 4 is a left side view thereof;
FIG. 5 is a top plan view thereof,
FIG. 6 is a bottom view thereof; and,
FIG. 7 is a perspective bottom view thereof.

(56) **References Cited**

U.S. PATENT DOCUMENTS

782,654 A * 2/1905 Hart 30/28
1,182,247 A * 5/1916 Buegeleisen 132/75.5

1 Claim, 4 Drawing Sheets



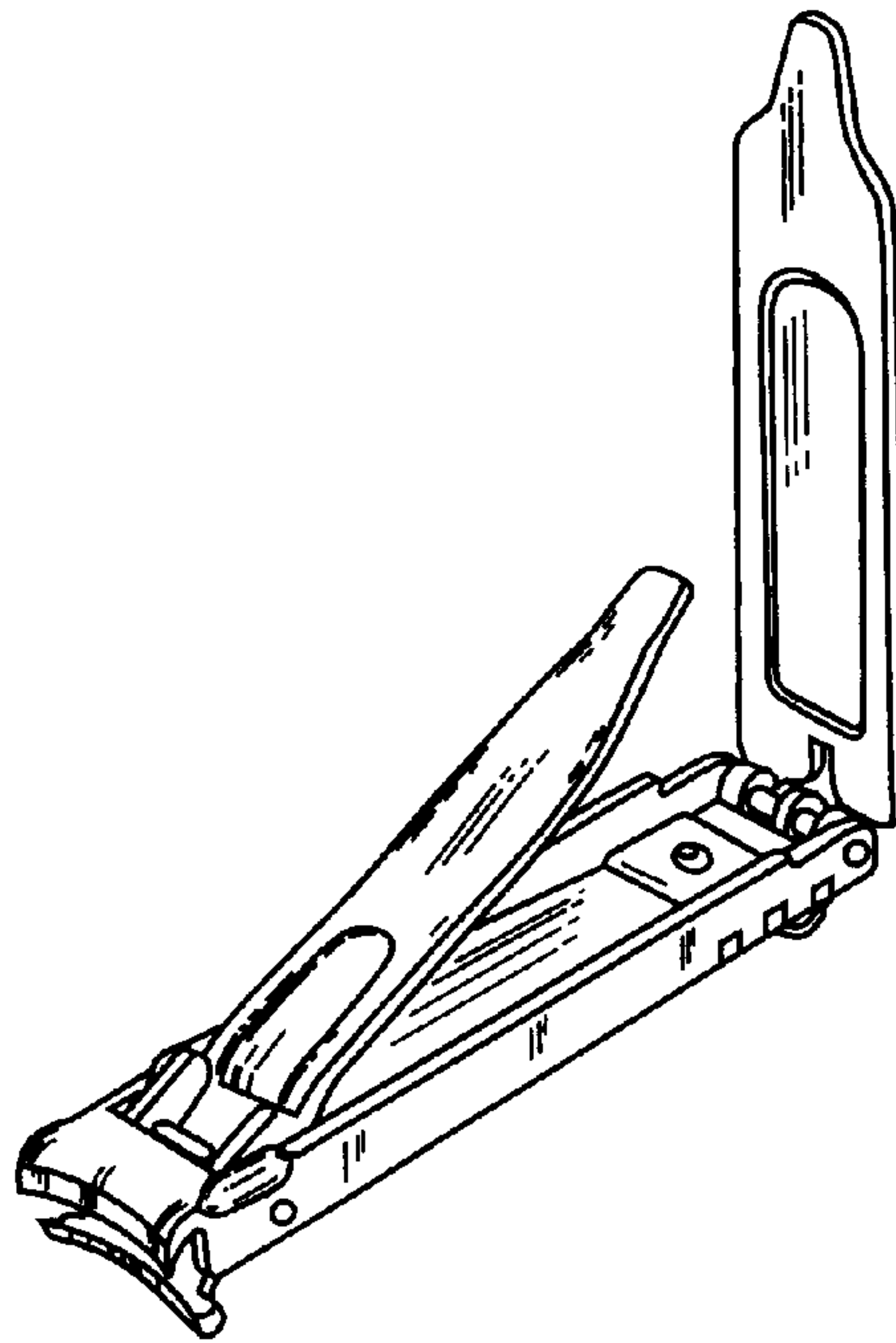


FIG. 1



FIG. 2



FIG. 3

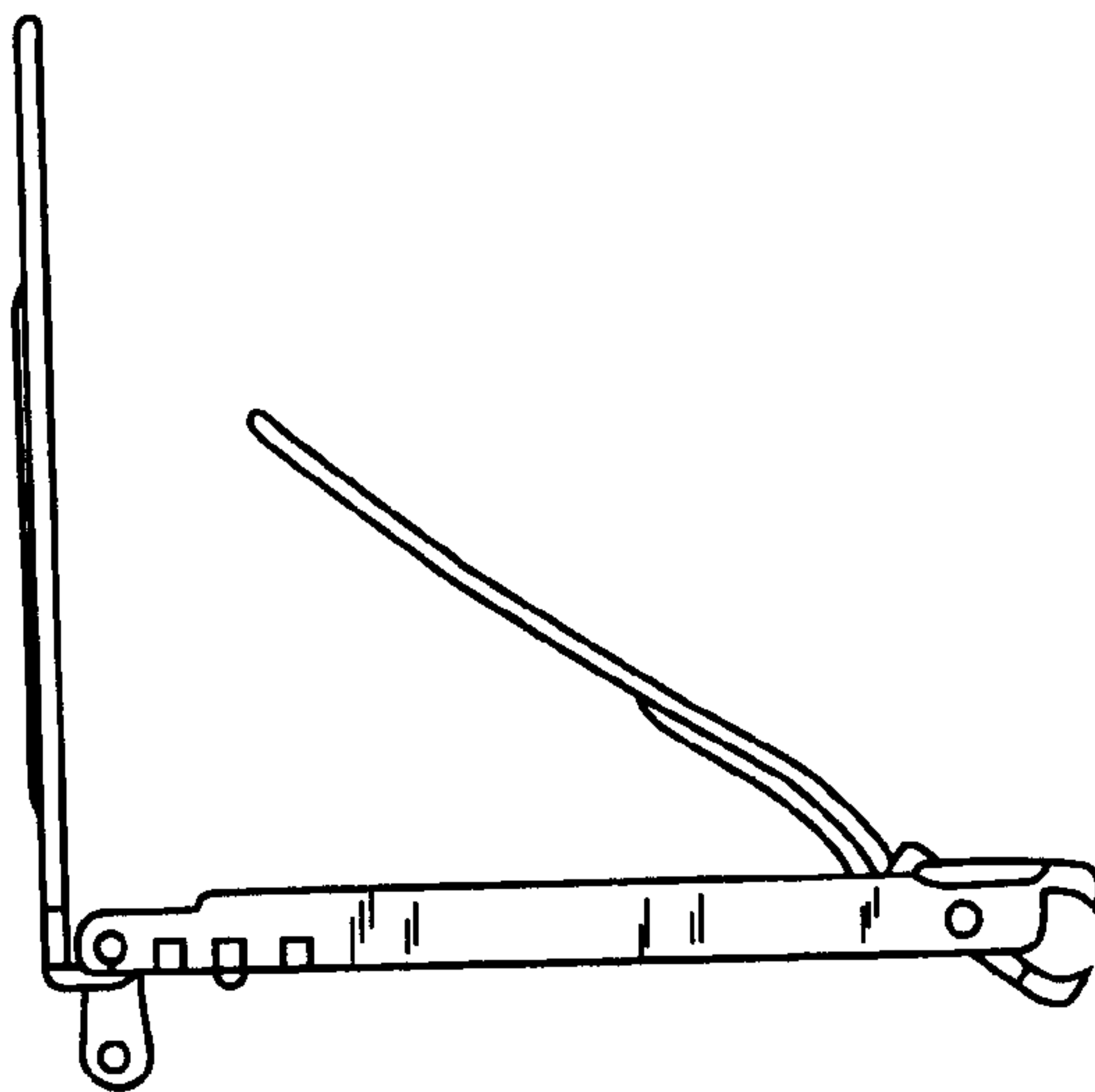


FIG. 4

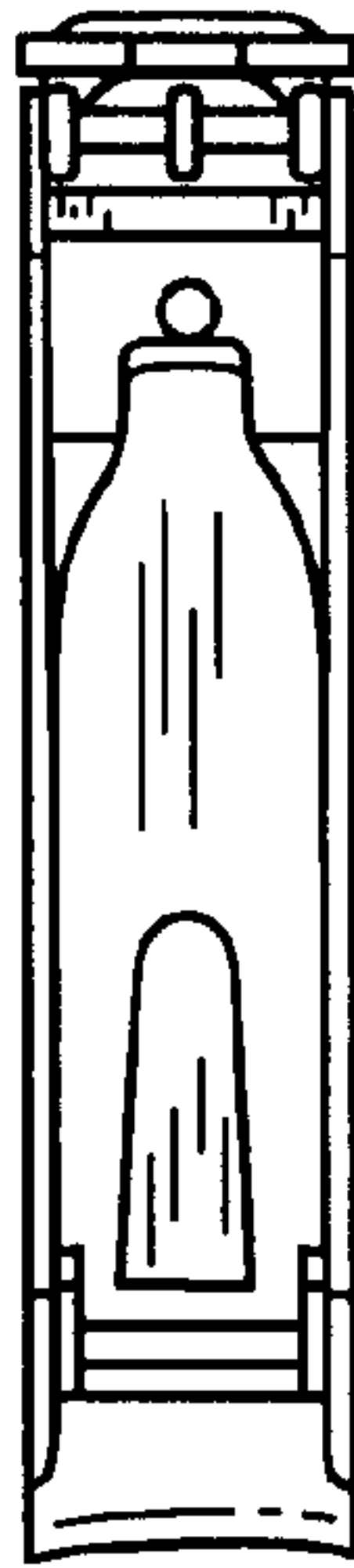


FIG. 5

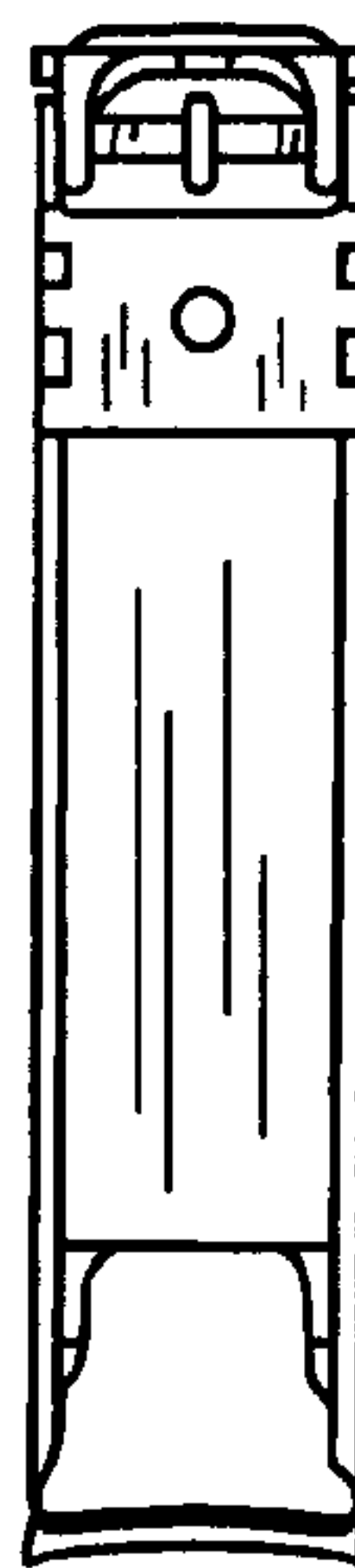


FIG. 6

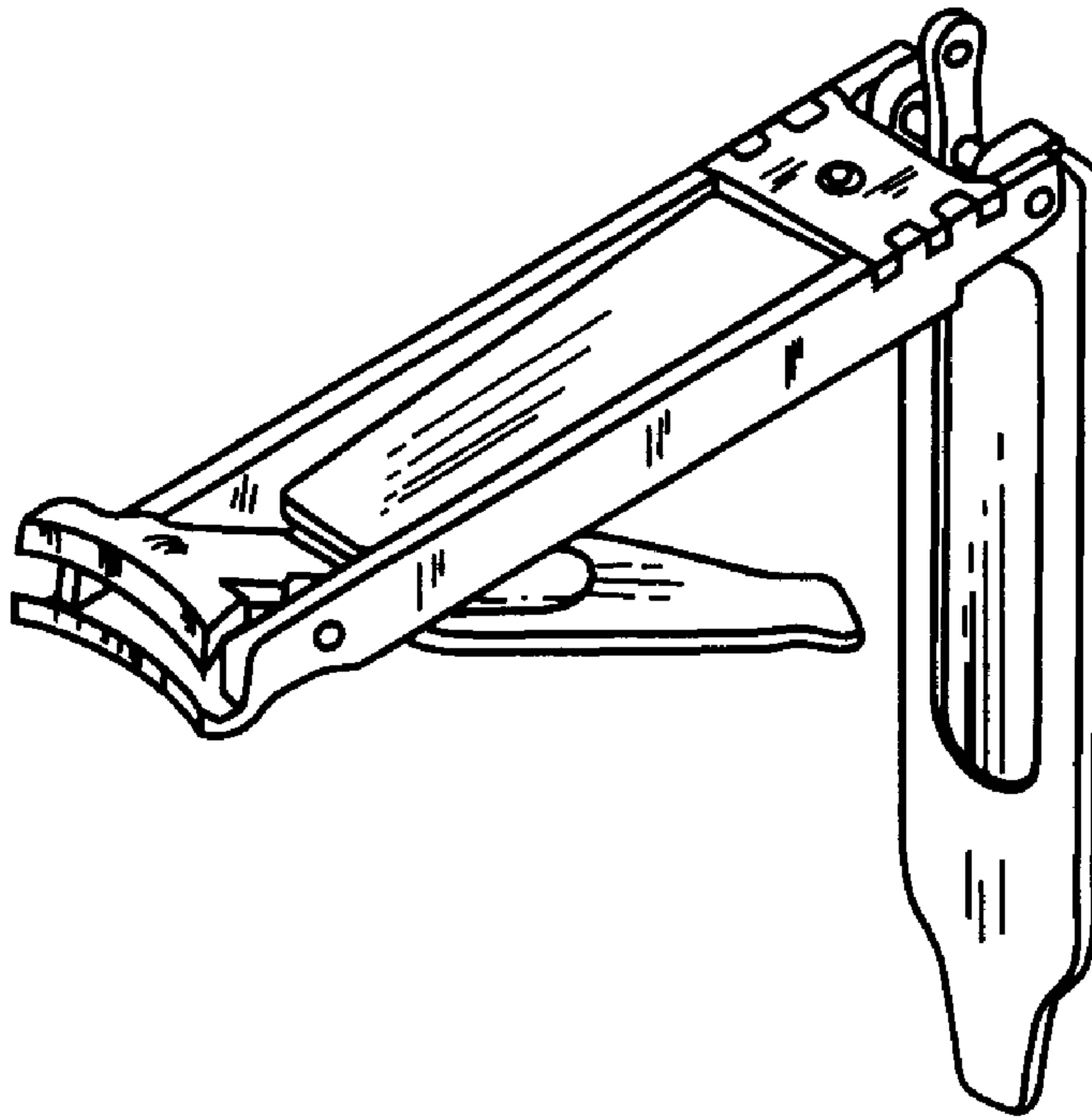


FIG. 7