



US00D468857S

(12) **United States Design Patent**  
**Foote**

(10) **Patent No.:** **US D468,857 S**

(45) **Date of Patent:** **\*\* Jan. 14, 2003**

(54) **CONVERTIBLE CIGARETTE  
EXTINGUISHER**

(76) **Inventor:** **Russell L. Foote**, 233 W. Chantilly  
Way, Mustang, OK (US) 73064-3919

(\*\*) **Term:** **14 Years**

(21) **Appl. No.:** **29/160,259**

(22) **Filed:** **May 7, 2002**

(51) **LOC (7) Cl.** ..... **27-03**

(52) **U.S. Cl.** ..... **D27/104**

(58) **Field of Search** ..... D27/102, 103,  
D27/104, 133; 131/231, 235.1, 240.1, 241,  
242; 220/8

D309,352 S	7/1990	Harder et al.
D323,720 S	2/1992	Leung
D362,921 S	10/1995	Krystek
5,617,880 A	4/1997	Landuydt
D395,097 S	6/1998	Barton et al.
D399,025 S	9/1998	Whitlock
D403,804 S	* 1/1999	Silkaitis ..... D27/102
5,906,211 A	5/1999	Mason
D452,750 S	1/2002	Habibi et al.
D455,225 S	4/2002	Whitlock

**FOREIGN PATENT DOCUMENTS**

FR	968960	12/1950
FR	982560	6/1951

\* cited by examiner

*Primary Examiner*—Jennifer Rivard  
(74) *Attorney, Agent, or Firm*—Mary M. Lee

(56) **References Cited**

**U.S. PATENT DOCUMENTS**

D76,302 S	9/1928	Hubbard
D81,031 S	4/1930	Thompson
D82,033 S	9/1930	Kershaw
1,805,016 A	5/1931	Schwartz
1,870,327 A	8/1932	Endsley
D107,873 S	1/1938	Kelly
D142,130 S	8/1945	Swofford
D152,474 S	1/1949	Heintze
D172,130 S	5/1954	Coulter
D172,873 S	8/1954	Gayle et al.
2,714,464 A	* 8/1955	Cline ..... 131/240.1
2,779,624 A	1/1957	Friedman
2,974,821 A	3/1961	Lamont
D195,071 S	4/1963	Vasile
3,186,414 A	6/1965	Davis
D244,302 S	5/1977	Bradley
D247,049 S	1/1978	Alves
4,133,319 A	1/1979	Bloomfield
D251,174 S	2/1979	Biever
4,142,537 A	3/1979	Fenelon
D256,279 S	* 8/1980	Huggins ..... D27/104
D258,468 S	3/1981	Whitlock
D266,879 S	11/1982	Pastirik
D288,010 S	1/1987	Faulkenberry
4,856,537 A	8/1989	Liu

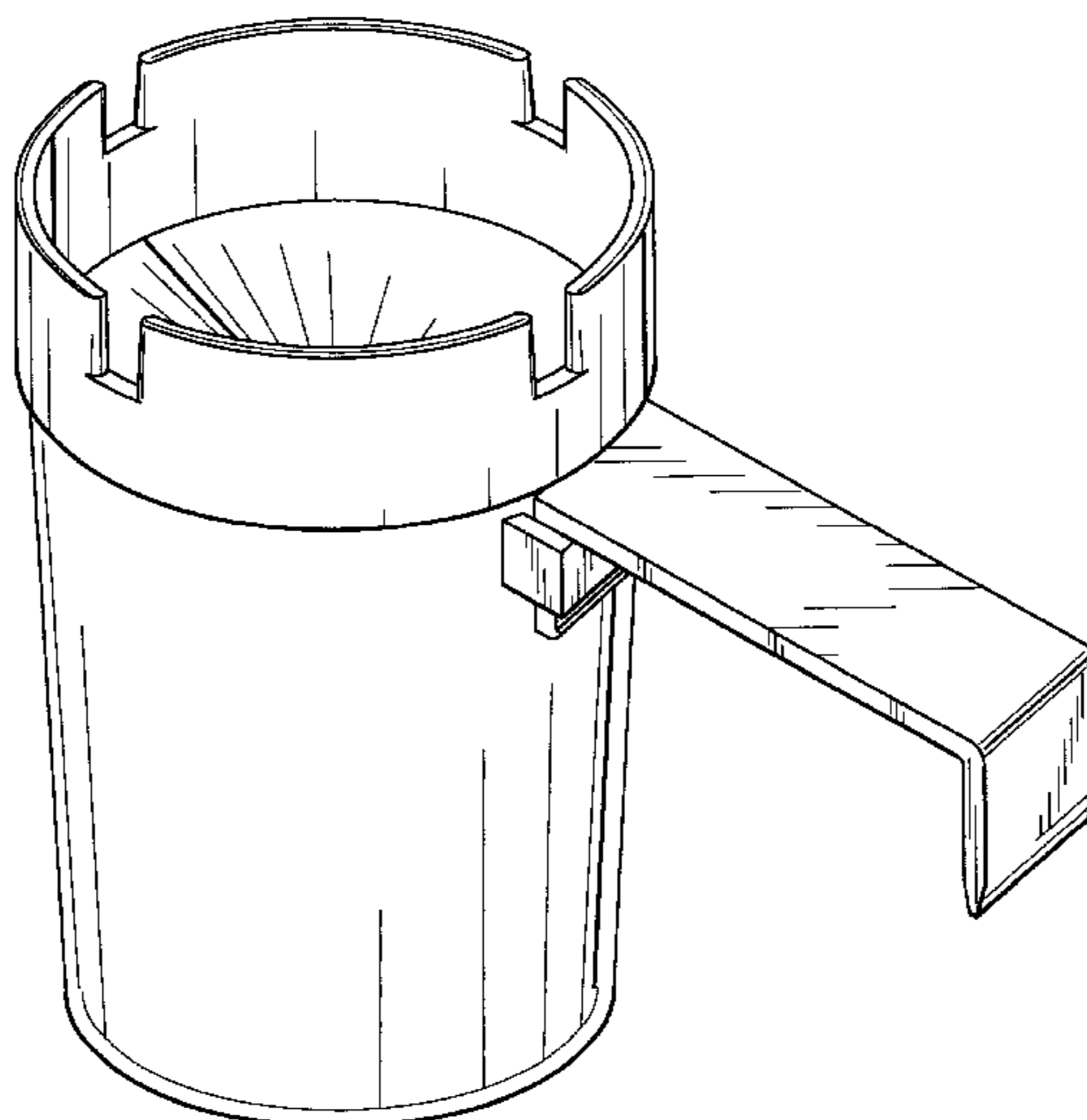
(57) **CLAIM**

The ornamental design for a convertible cigarette extinguisher, as shown.

**DESCRIPTION**

FIG. 1 is a perspective view of a convertible cigarette extinguisher, showing a my new design;  
 FIG. 2 is a side elevational view of a convertible cigarette extinguisher, showing my new design, the opposite side being a mirror image thereof;  
 FIG. 3 is a rear elevational view thereof;  
 FIG. 4 is a top plan view thereof;  
 FIG. 5 is a bottom view view thereof;  
 FIG. 6 is a front elevational view thereof;  
 FIG. 7 is a side elevational view of the convertible cigarette extinguisher with the handle removed, the opposite side being a mirror image thereof;  
 FIG. 8 is a rear elevational view thereof;  
 FIG. 9 is a front elevational view thereof;  
 FIG. 10 is a top plan view thereof; and,  
 FIG. 11 is a bottom view thereof.

**1 Claim, 3 Drawing Sheets**



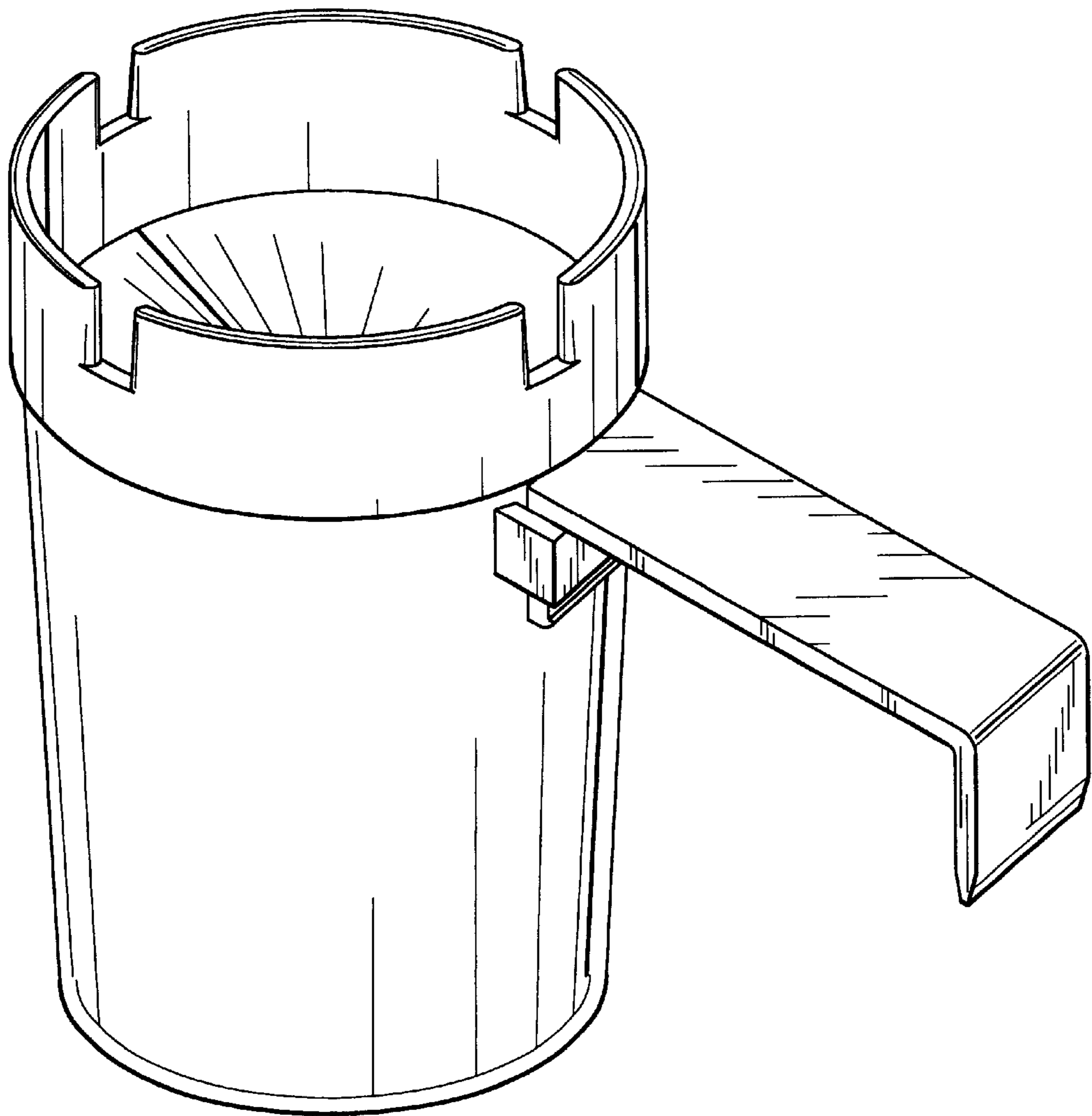


FIG. 1

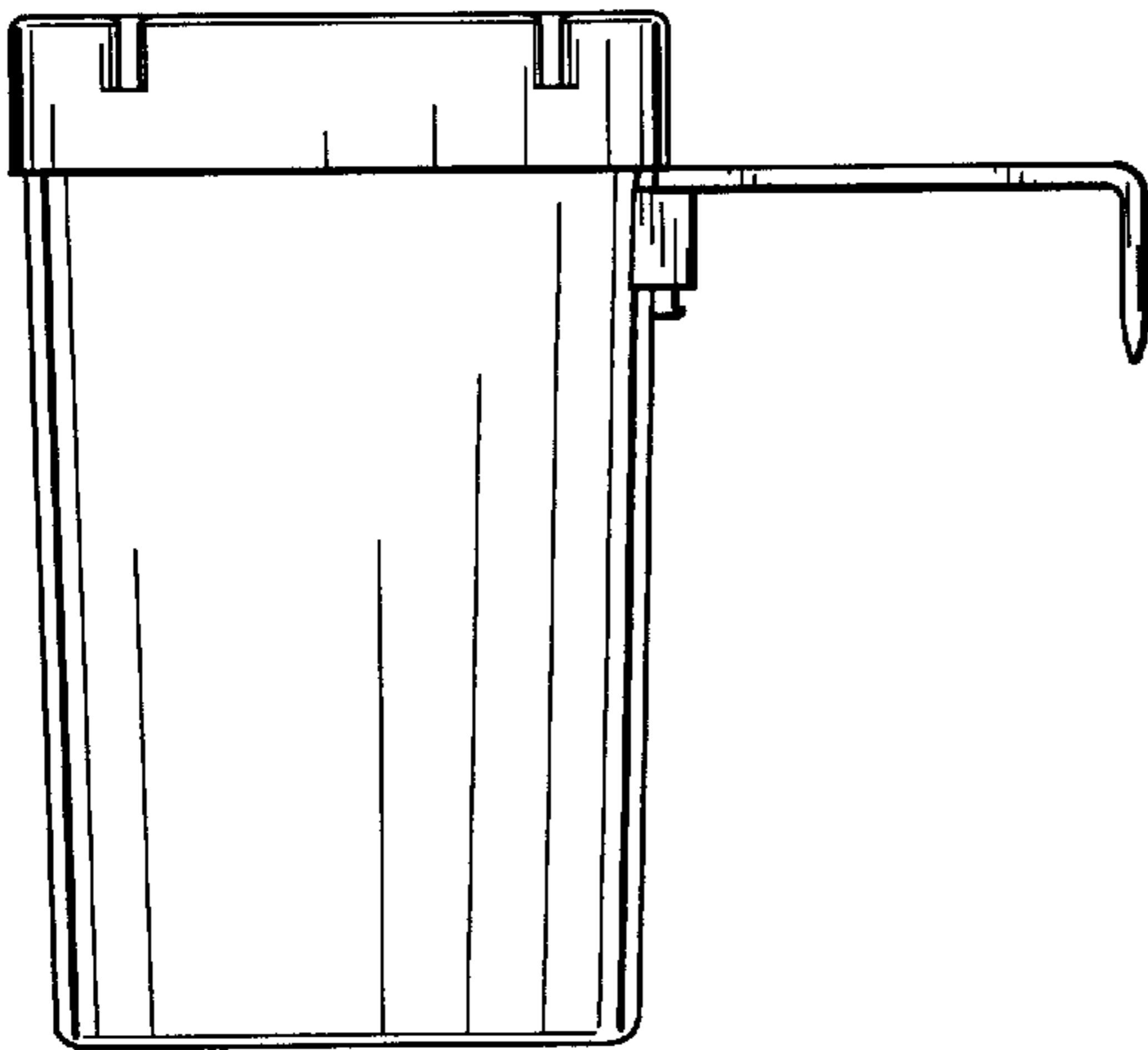


FIG. 2

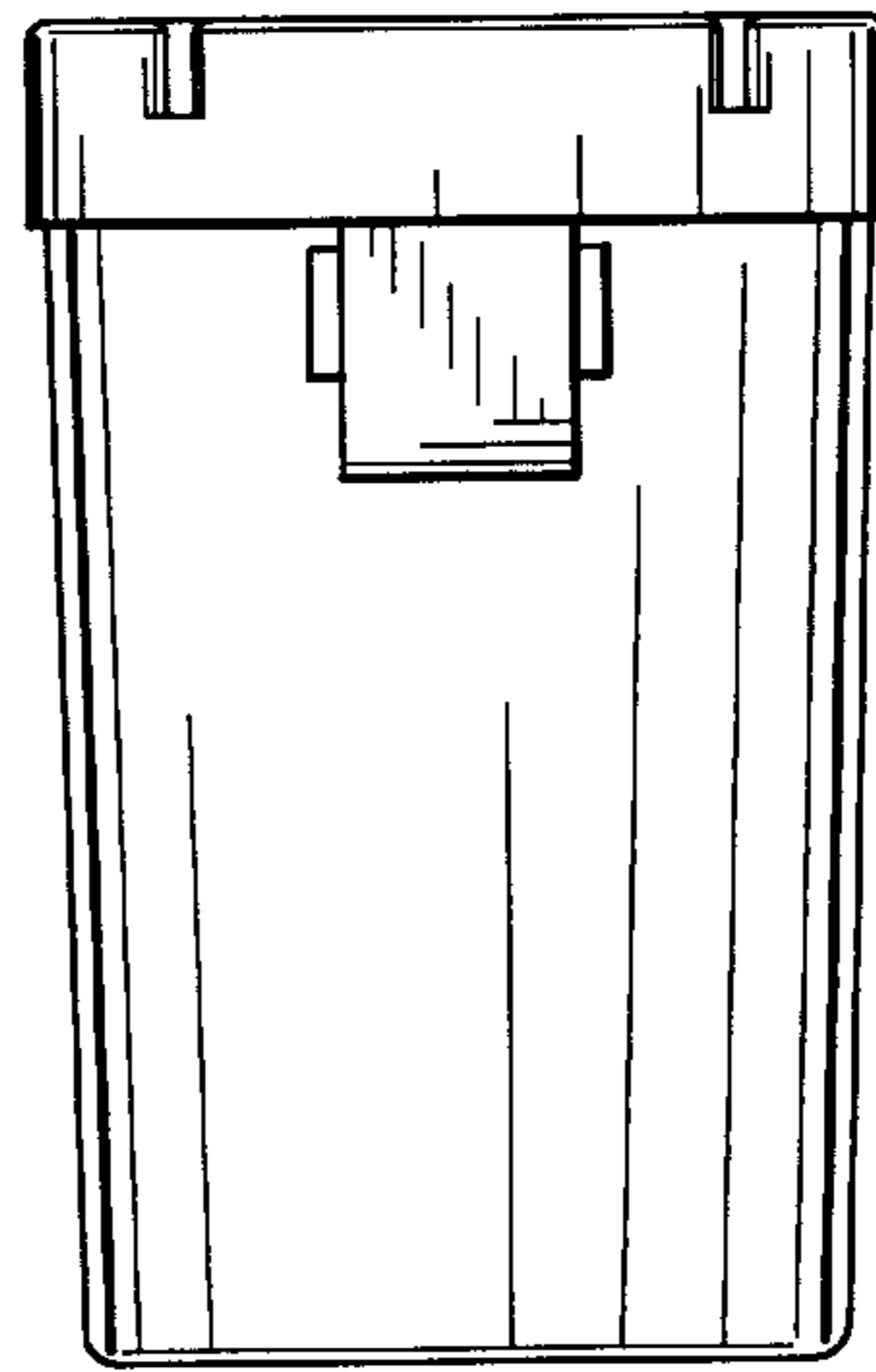


FIG. 3

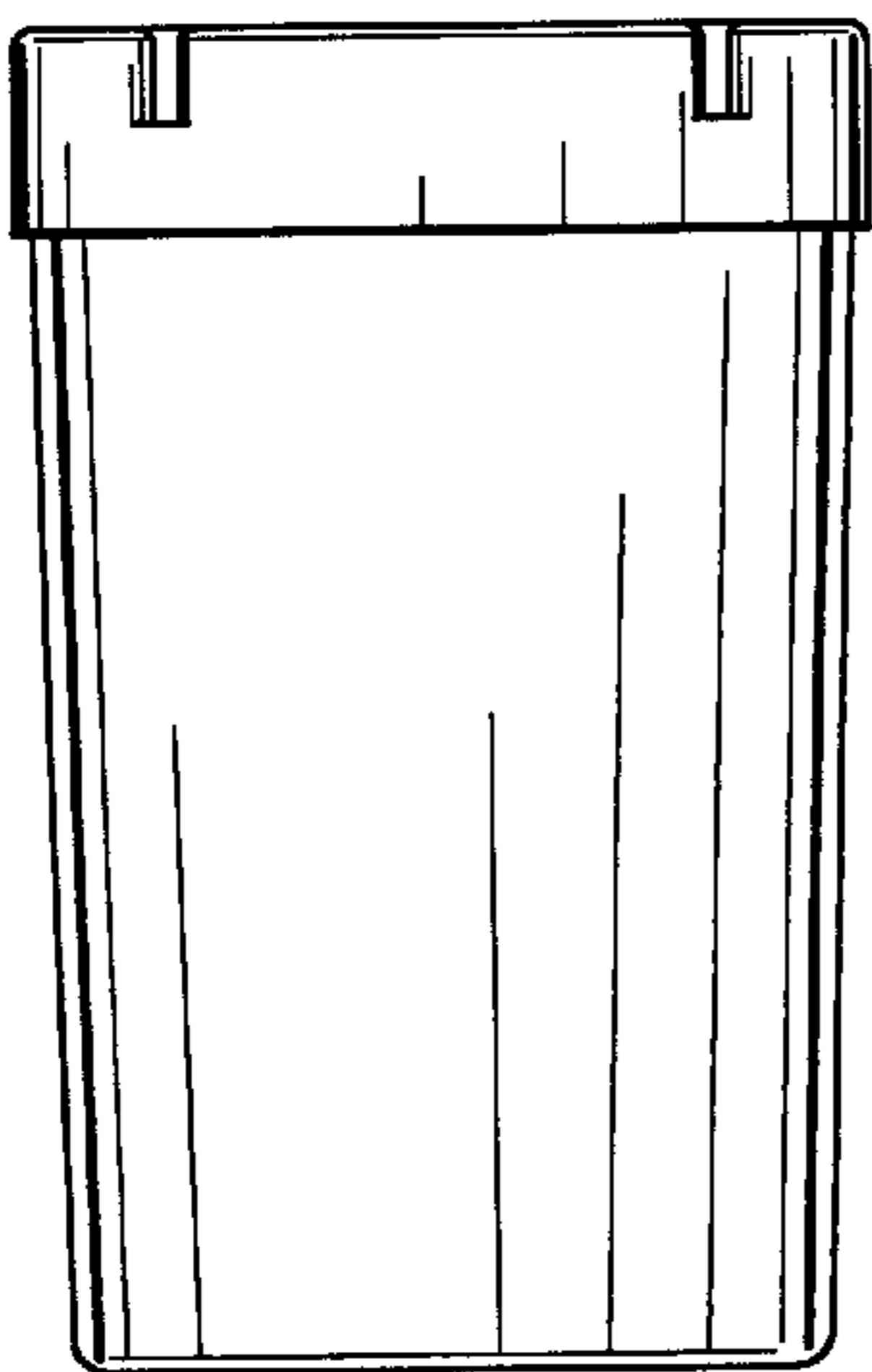


FIG. 6

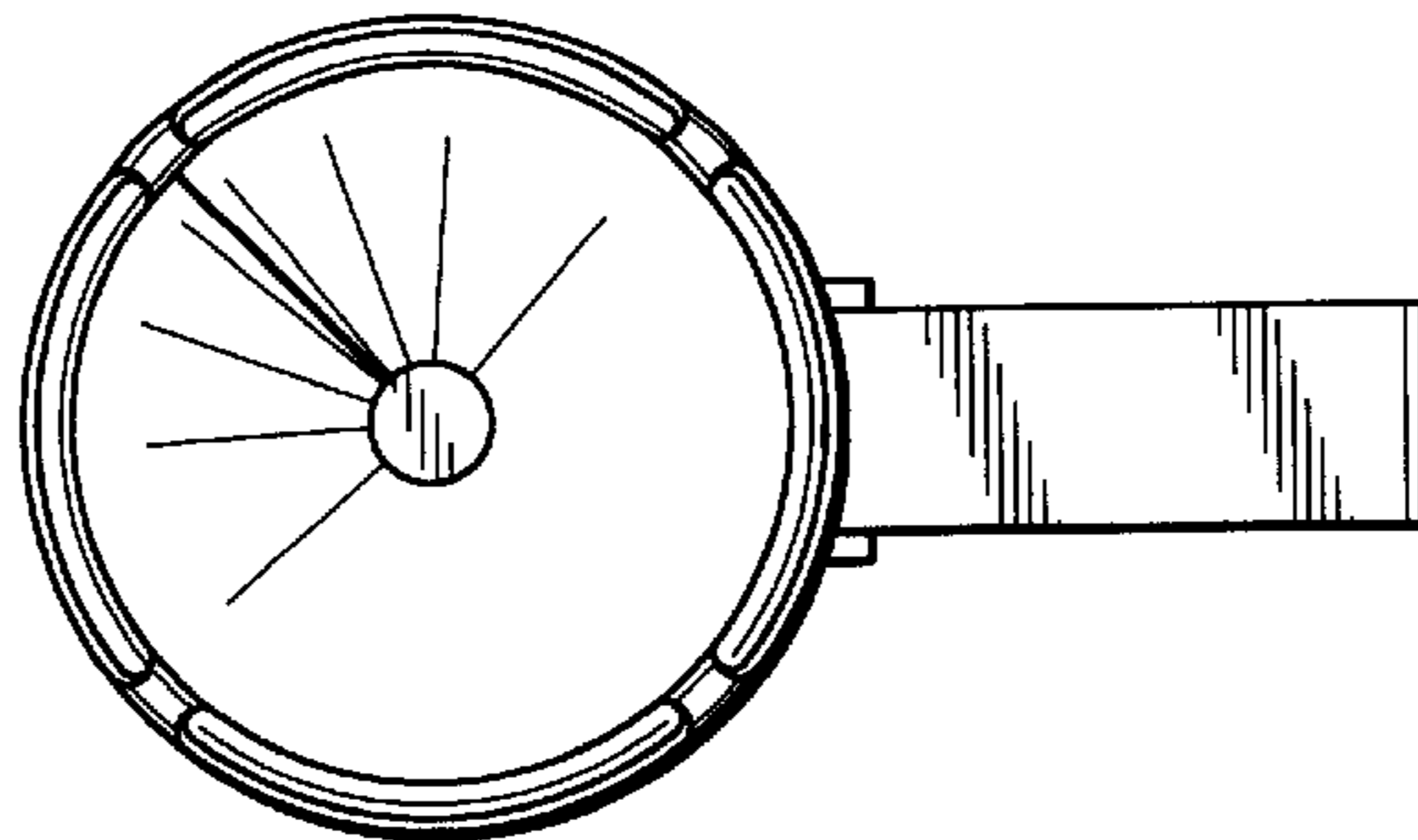


FIG. 4

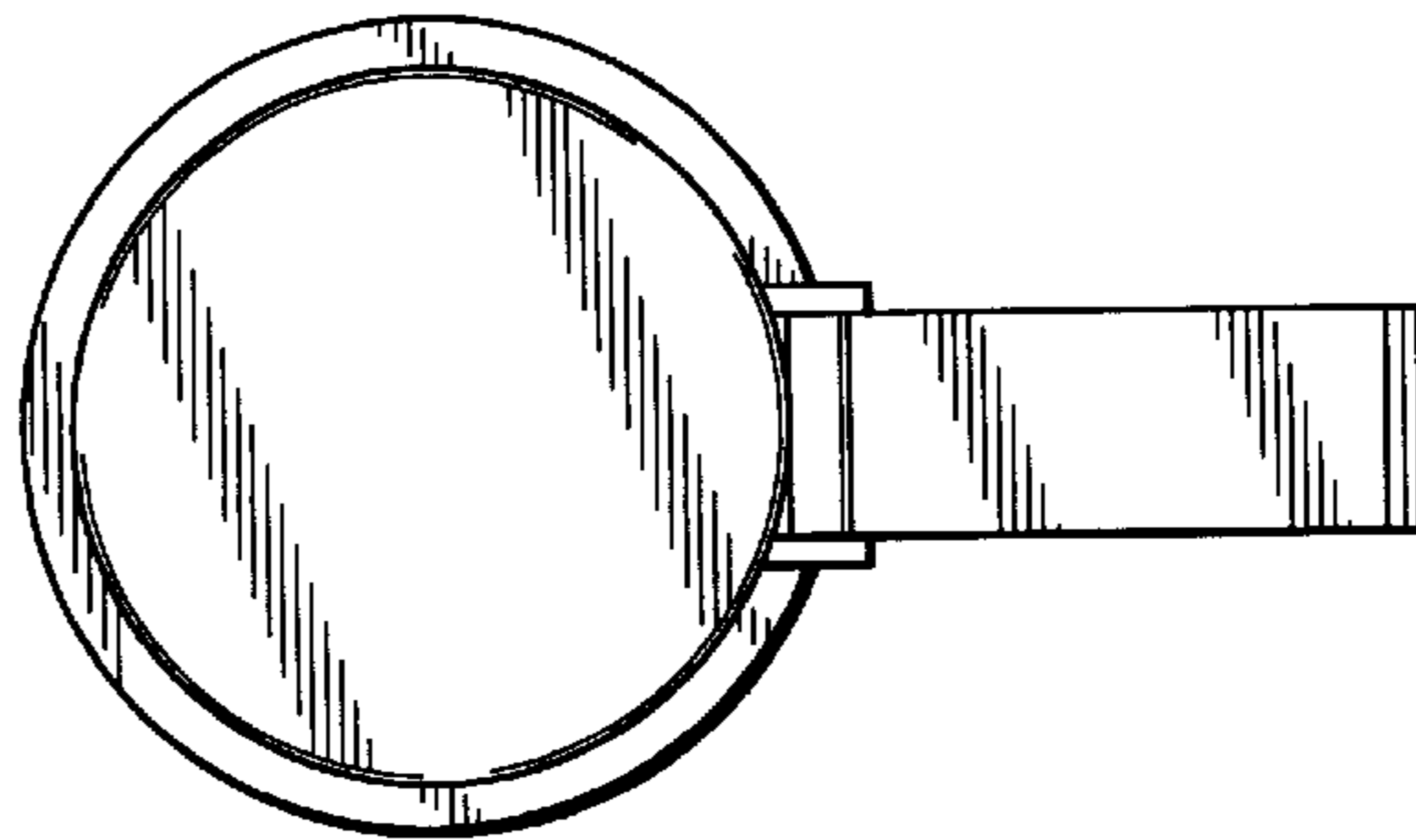


FIG. 5

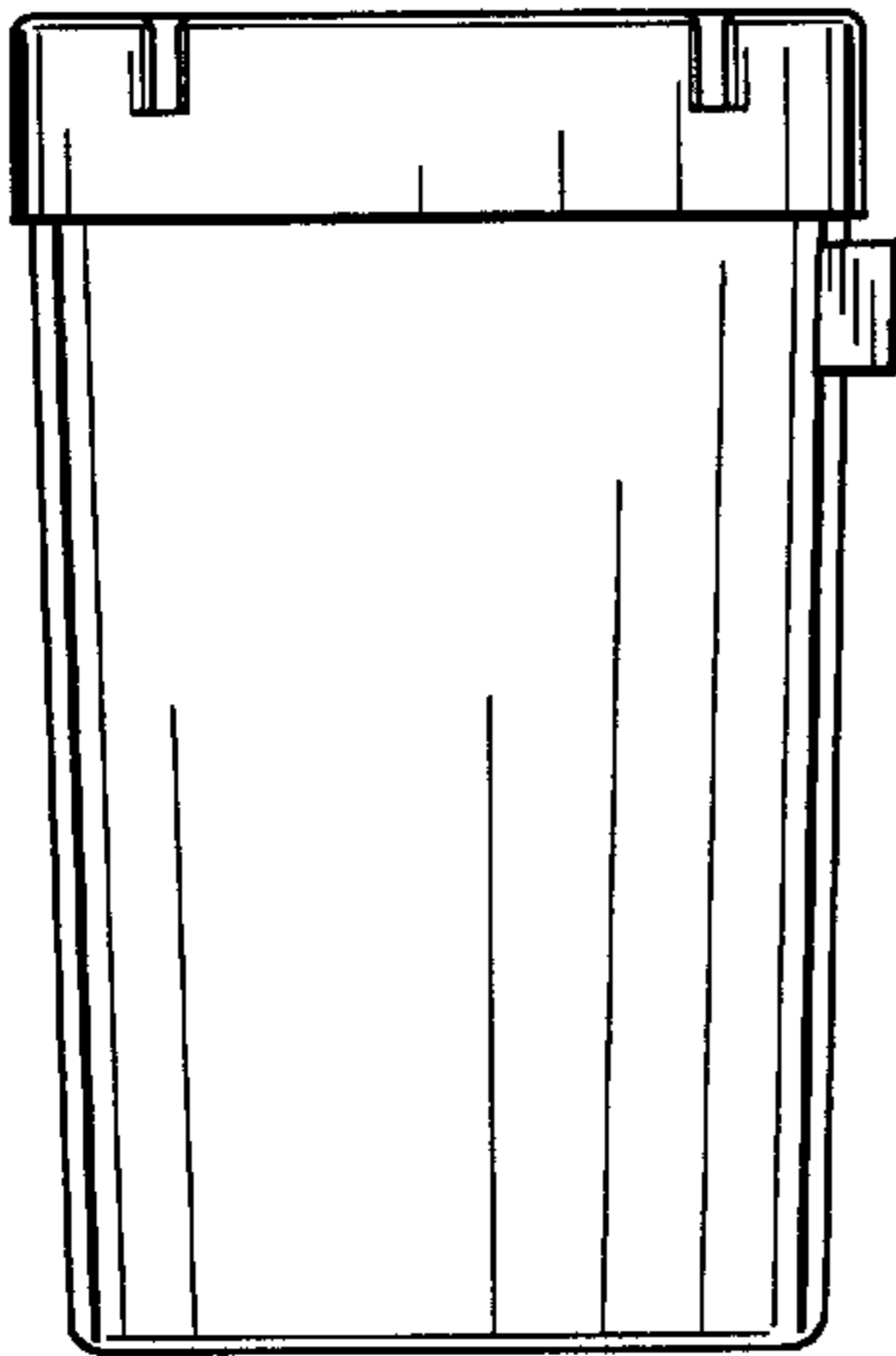


FIG. 2

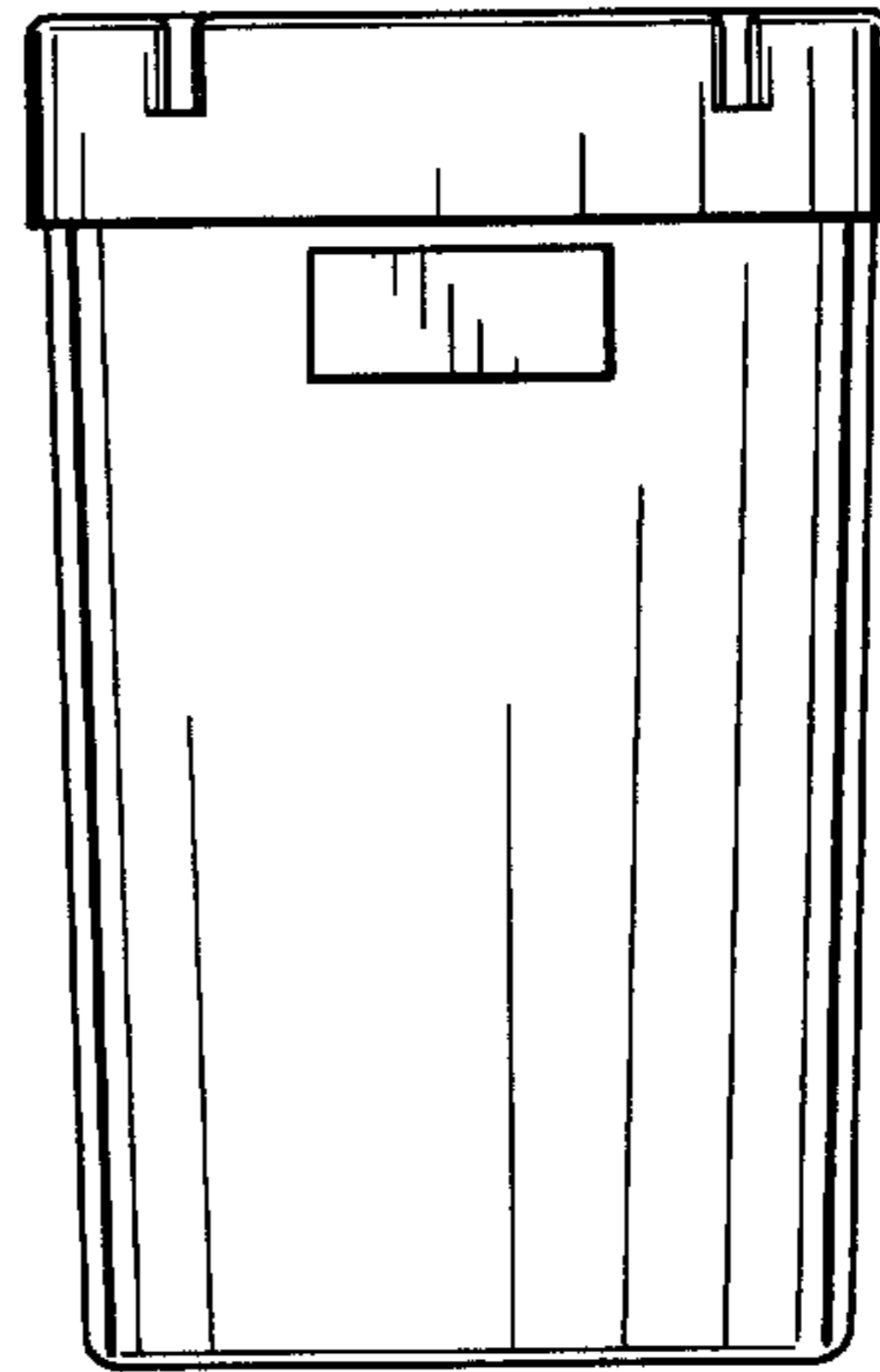


FIG. 3

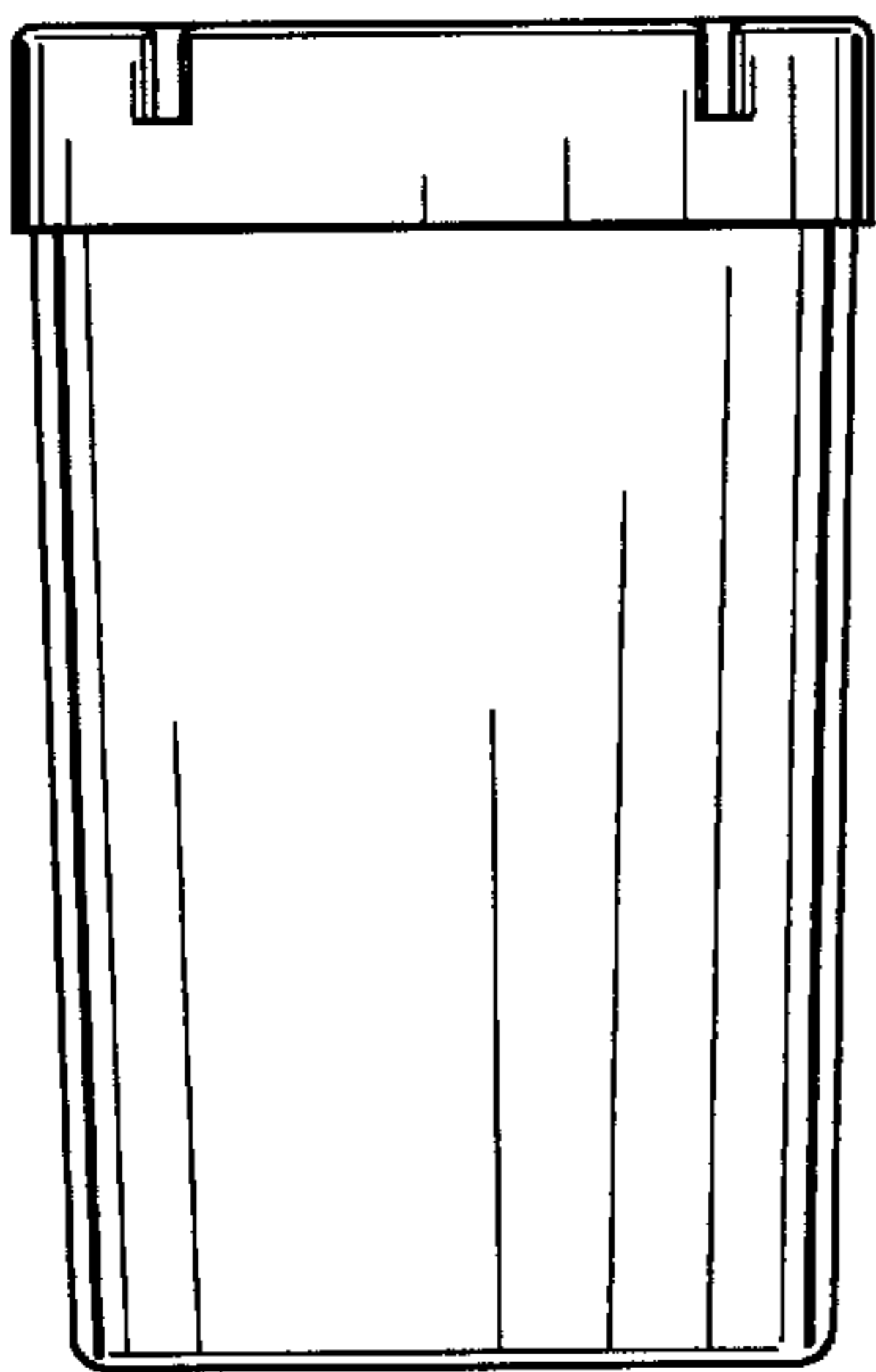


FIG. 4

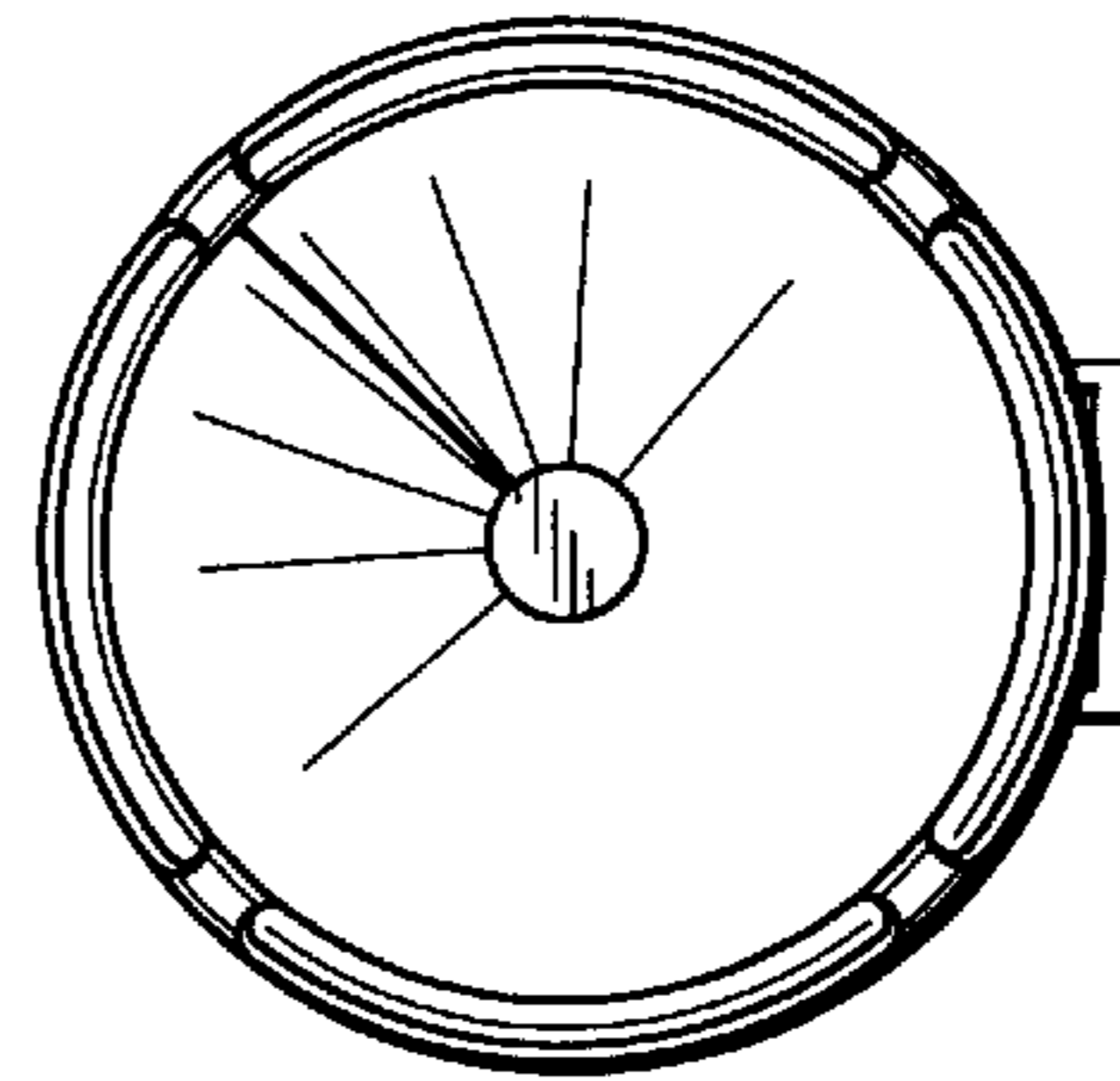


FIG. 5

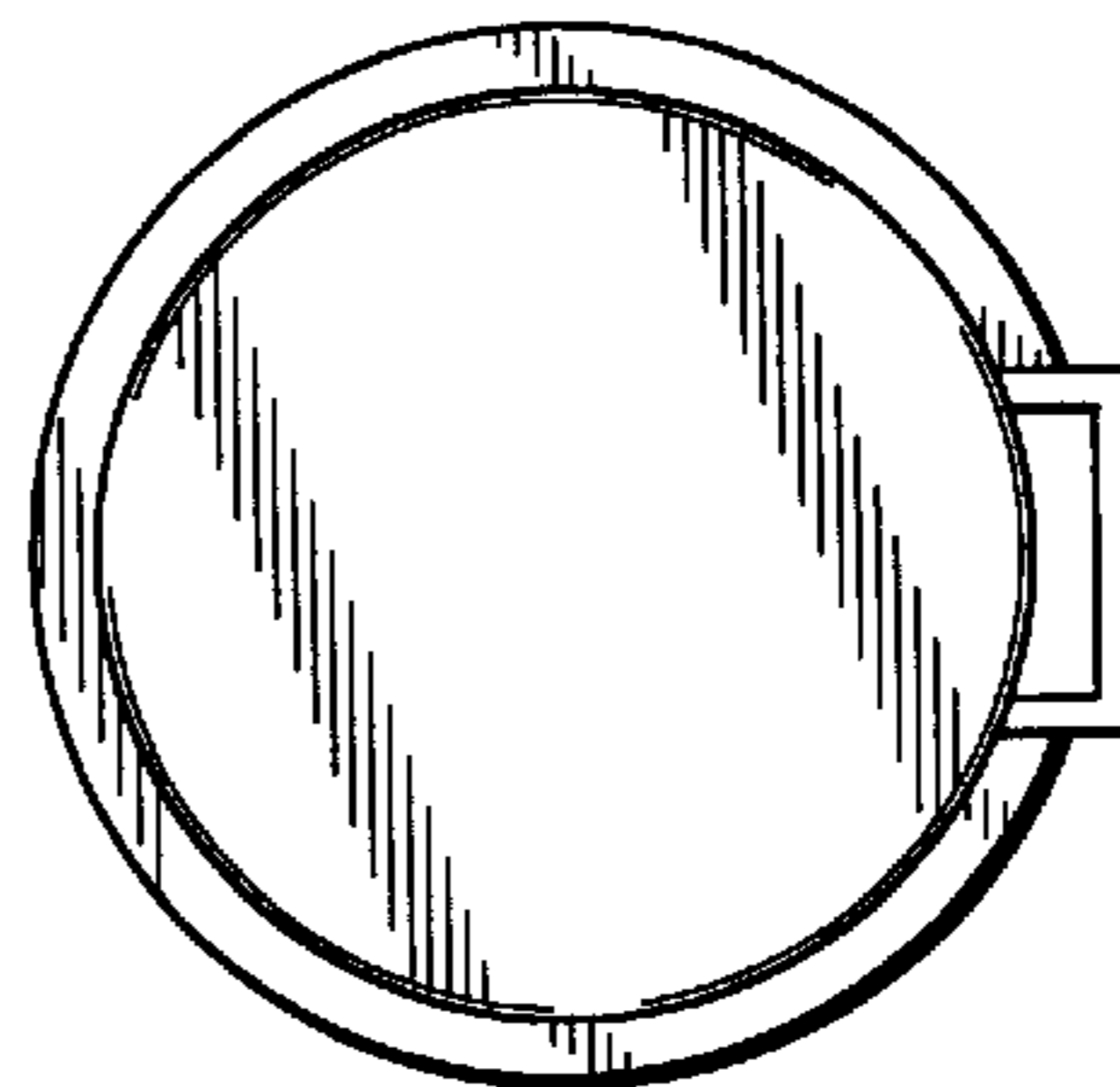


FIG. 6