



US00D468856S

(12) **United States Design Patent**
Glanz

(10) **Patent No.:** **US D468,856 S**

(45) **Date of Patent:** **** Jan. 14, 2003**

(54) **FLOATING WICK HOLDER FOR AN OIL LAMP**

Primary Examiner—Jennifer Rivard
(74) *Attorney, Agent, or Firm*—Schweitzer Cornman Gross & Bondell LLP

(76) **Inventor:** **Andrew Glanz**, 910 Orlando Ave., W Hempstead, NY (US) 11552-3942

(**) **Term:** **14 Years**

(57) **CLAIM**

The ornamental design for a floating wick holder for an oil lamp, as shown and described.

(21) **Appl. No.:** **29/141,331**

(22) **Filed:** **May 3, 2001**

(51) **LOC (7) Cl.** **26-99**

(52) **U.S. Cl.** **D26/116**

(58) **Field of Search** D26/113, 116, D26/20; 431/126, 320, 298, 299, 291; D27/133

DESCRIPTION

FIG. 1 is a top, front perspective view of a wick holder showing my new design in use;
FIG. 2 is a top plan view thereof;
FIG. 3 is a front elevation view thereof;
FIG. 4 is a first side elevation view thereof, the second side being a mirror image thereof;
FIG. 5 is a rear elevation view thereof; and,
FIG. 6 is a bottom plan view thereof.
The broken line environmental showing is for illustrative purposes only and forms no part of the claimed design.

(56) **References Cited**

U.S. PATENT DOCUMENTS

D225,674 S	*	12/1972	Reese	D26/116
3,790,332 A	*	2/1974	Woollard	431/126
4,019,856 A	*	4/1977	Lacroix	431/298
4,110,066 A	*	8/1978	Murphy	431/320
5,425,633 A	*	6/1995	Cole	431/291

* cited by examiner

1 Claim, 2 Drawing Sheets

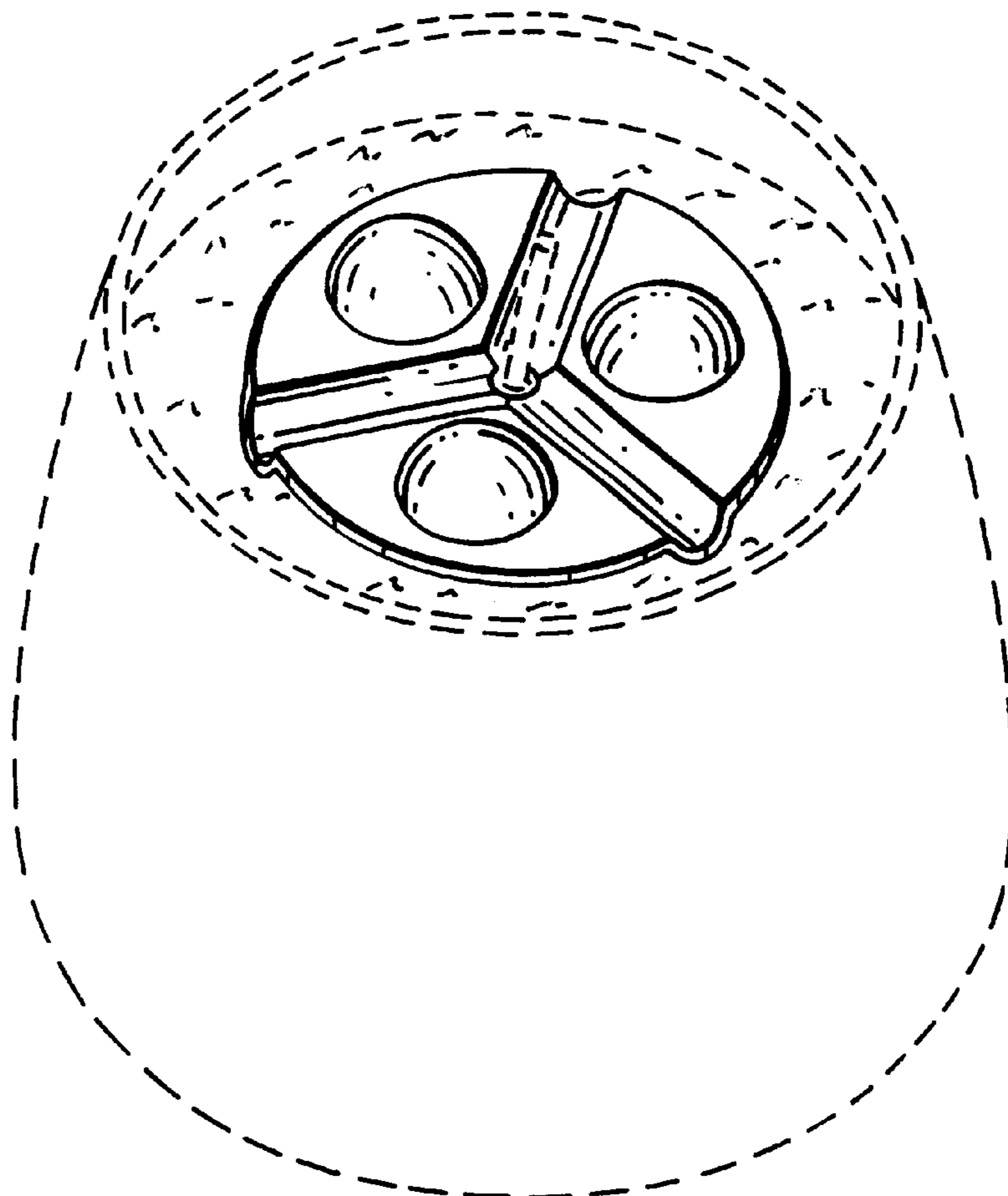


FIG. 1

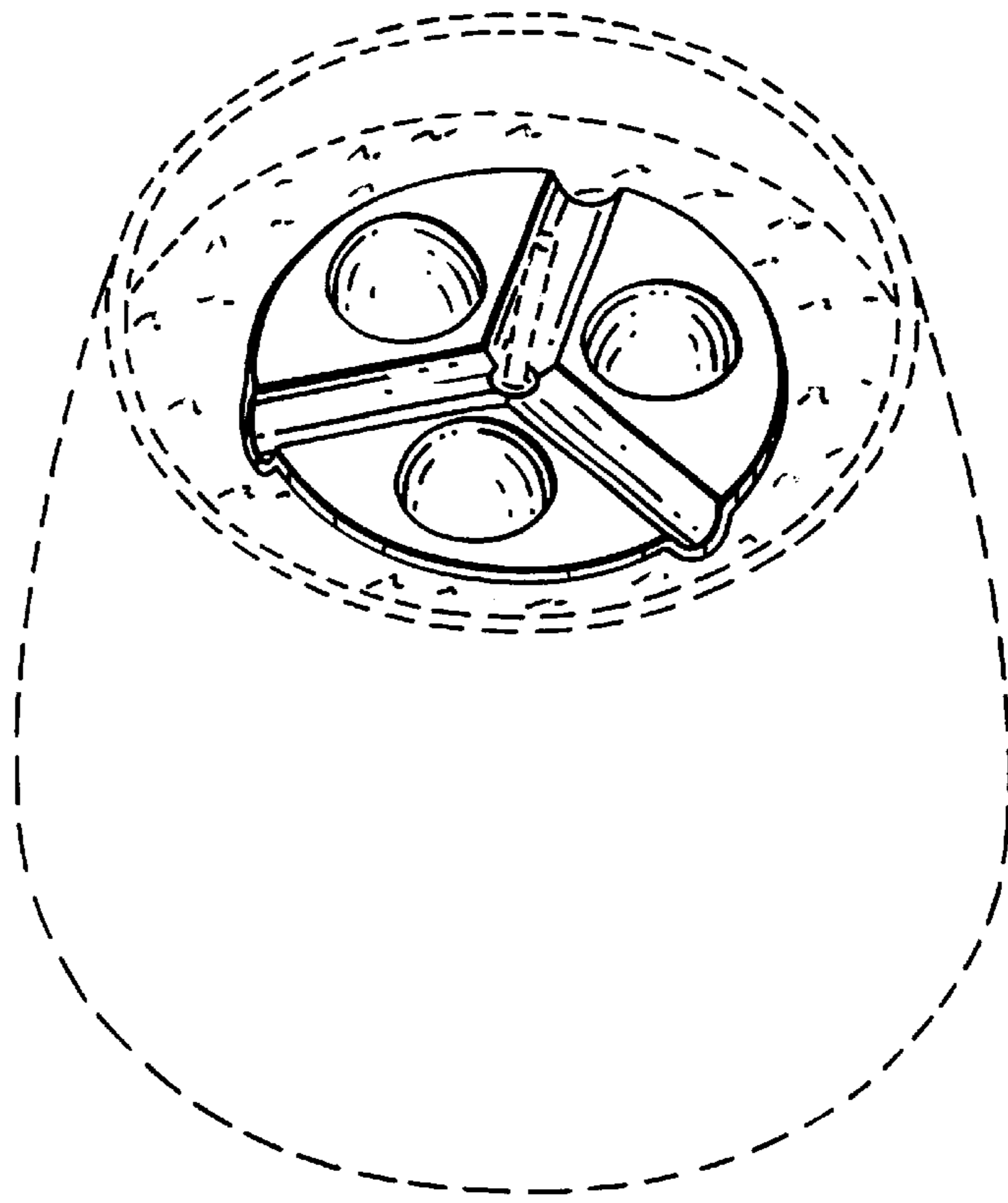


FIG. 2

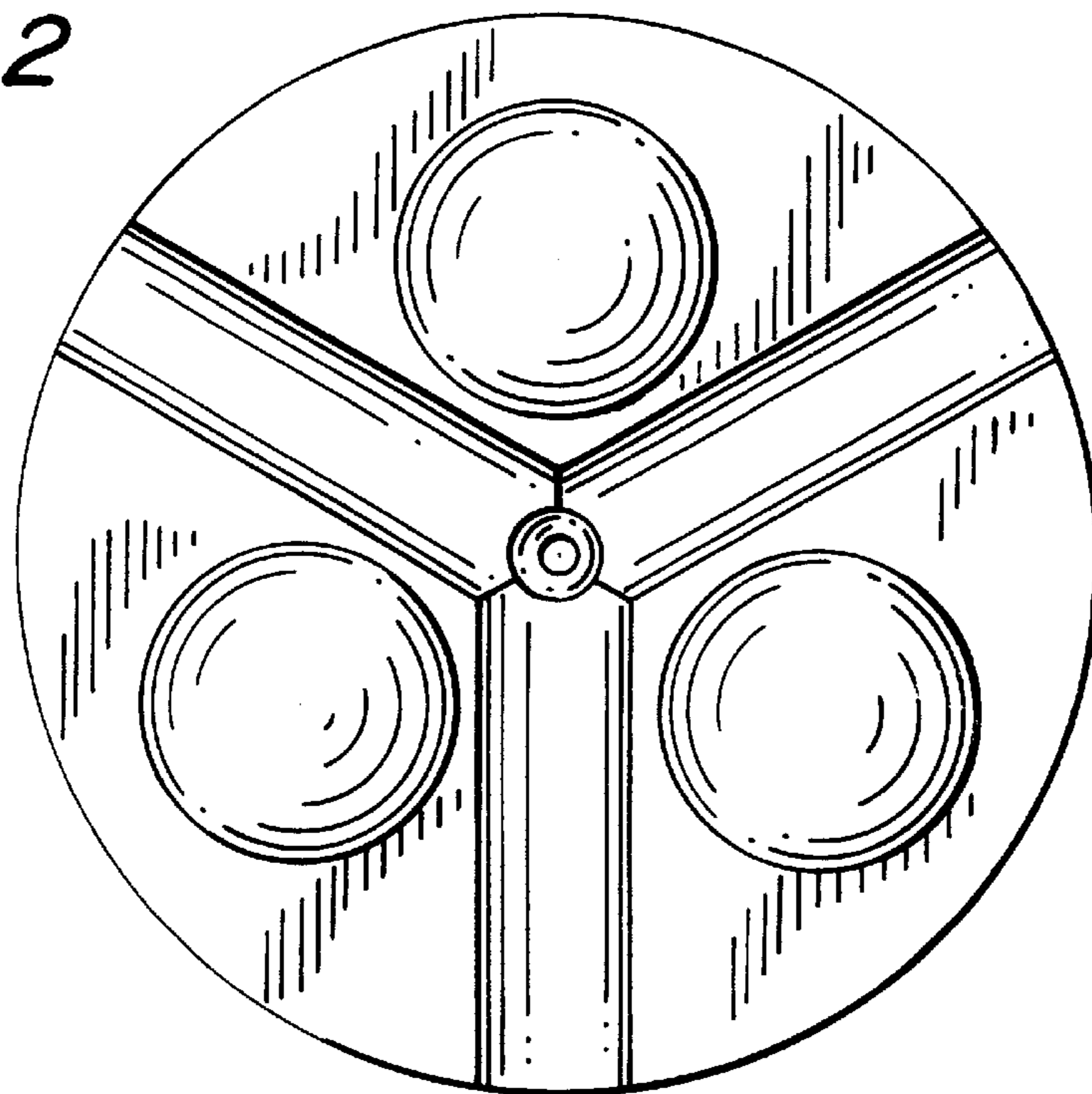


FIG. 3

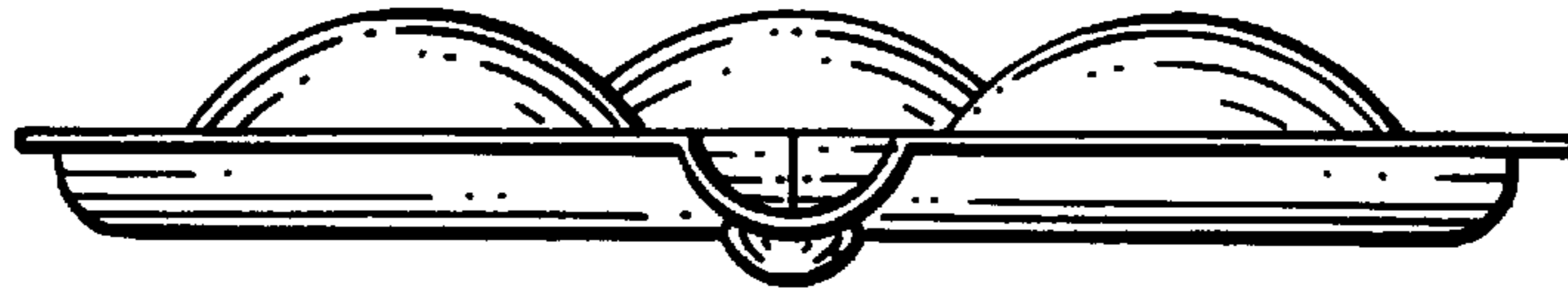


FIG. 4

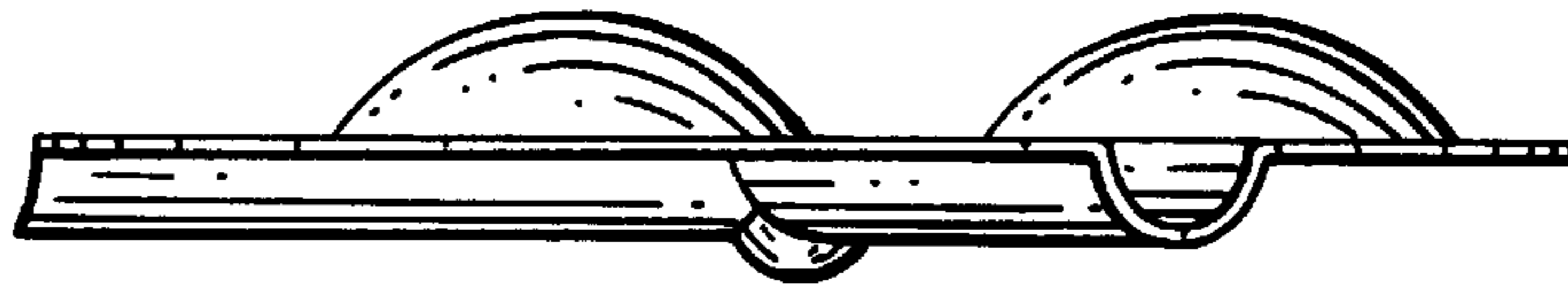


FIG. 5

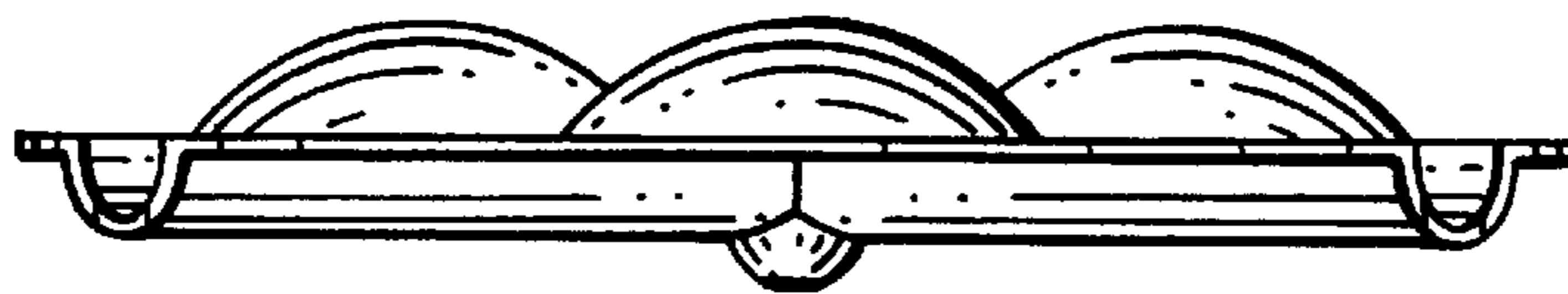


FIG. 6

