



US00D468854S

(12) **United States Design Patent**
Chen

(10) **Patent No.:** **US D468,854 S**

(45) **Date of Patent:** **** Jan. 14, 2003**

(54) **LAMP**

(76) Inventor: **Zhao-Cheng Chen**, 235 Chung - Ho
Box 8-24, Taipei (TW)

(**) Term: **14 Years**

(21) Appl. No.: **29/155,540**

(22) Filed: **Feb. 13, 2002**

(51) **LOC (7) Cl.** **26-03**

(52) **U.S. Cl.** **D26/93**

(58) **Field of Search** D26/93-112; 362/410-414

(56) **References Cited**

U.S. PATENT DOCUMENTS

D204,793 S * 5/1966 Rodriguez D26/93 X
D355,725 S * 2/1995 Roberts, III D26/109

* cited by examiner

Primary Examiner—Alan P. Douglas

Assistant Examiner—Linda Brooks

(57) **CLAIM**

The ornamental design for a lamp, as shown and described.

DESCRIPTION

FIG. 1 is a perspective view of a lamp showing my new design;

FIG. 2 is a front side view thereof;

FIG. 3 is a rear side view thereof;

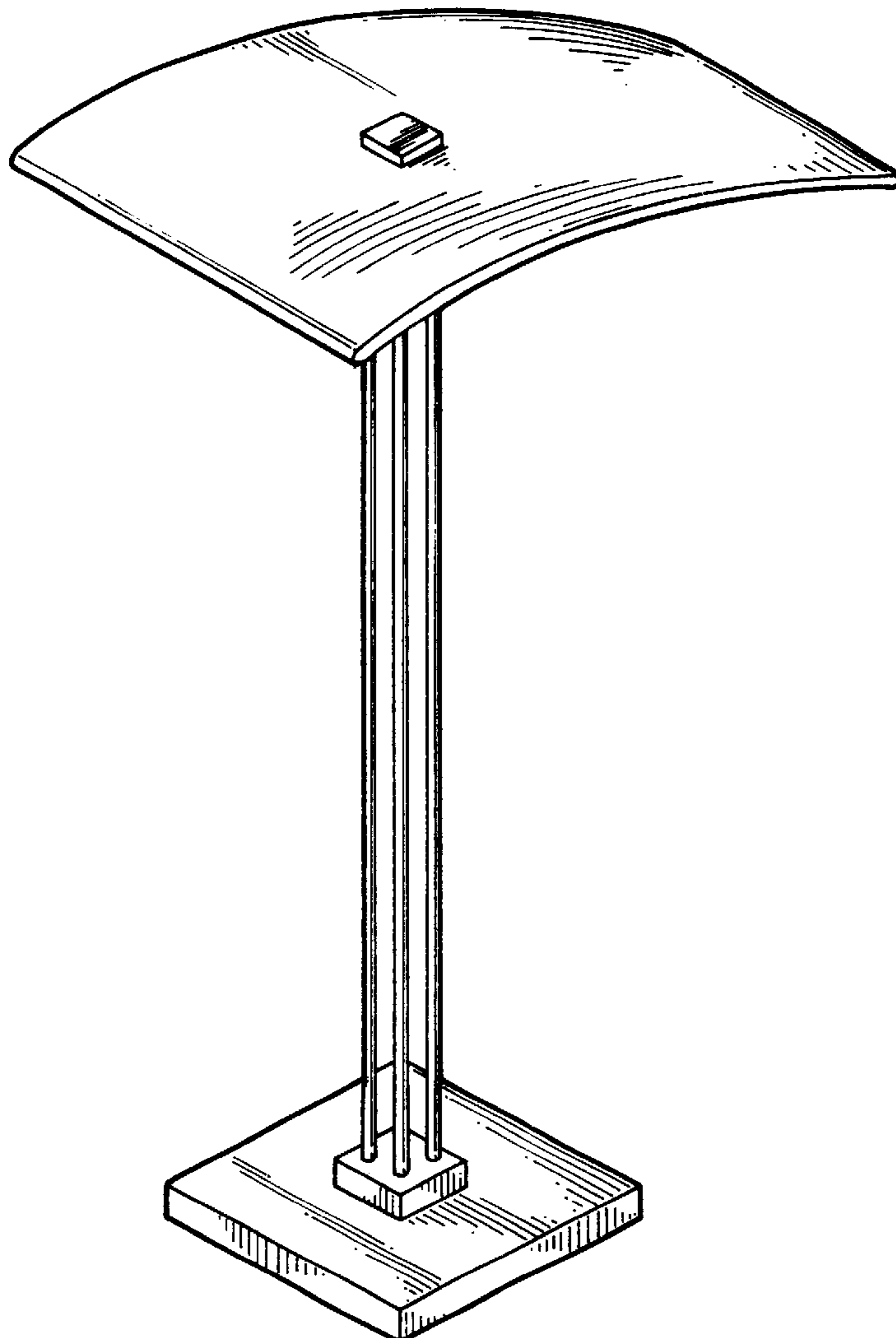
FIG. 4 is a left view thereof;

FIG. 5 is a right side view thereof;

FIG. 6 is a top plan view thereof; and,

FIG. 7 is a bottom plan view thereof.

1 Claim, 4 Drawing Sheets



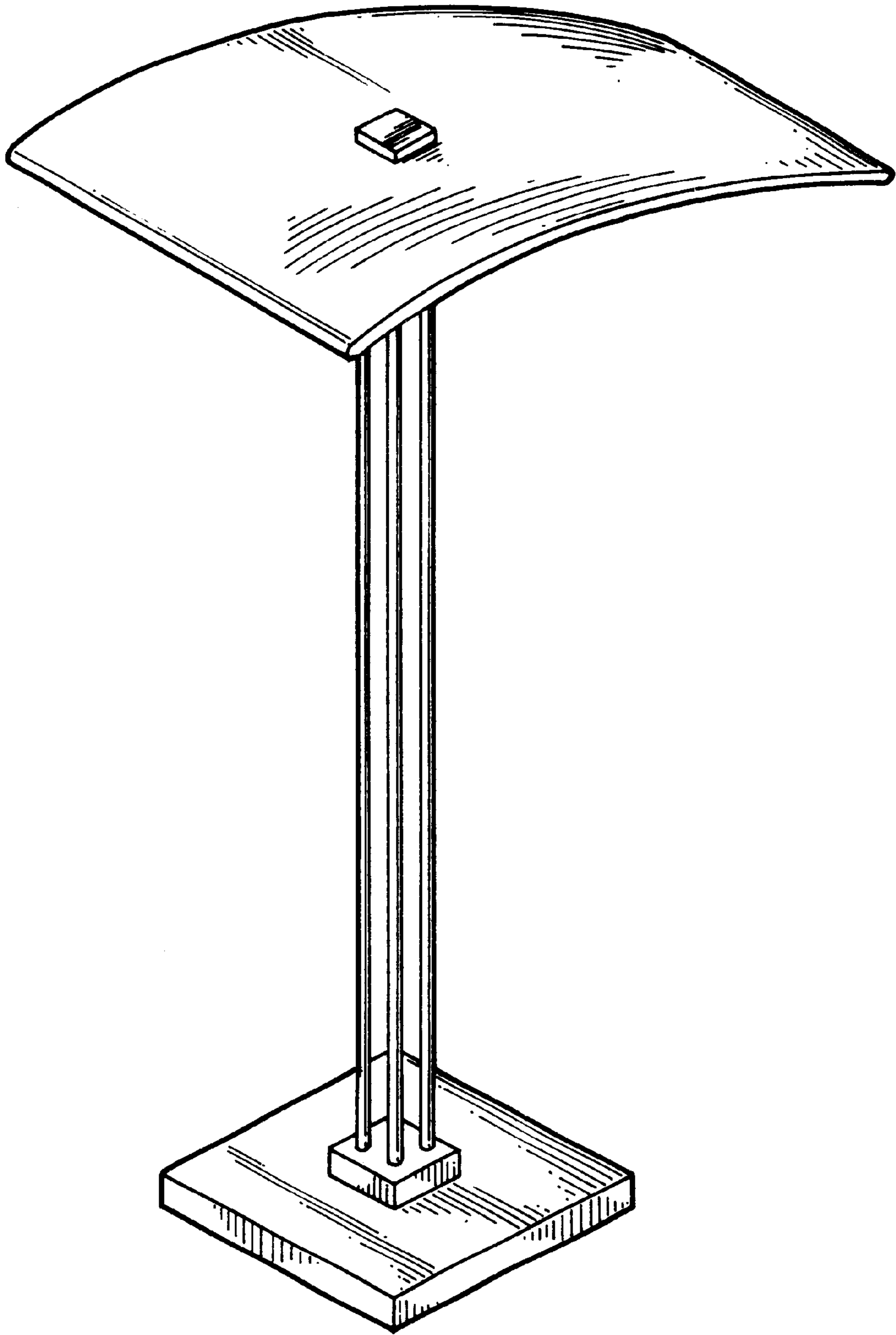


FIG. 1

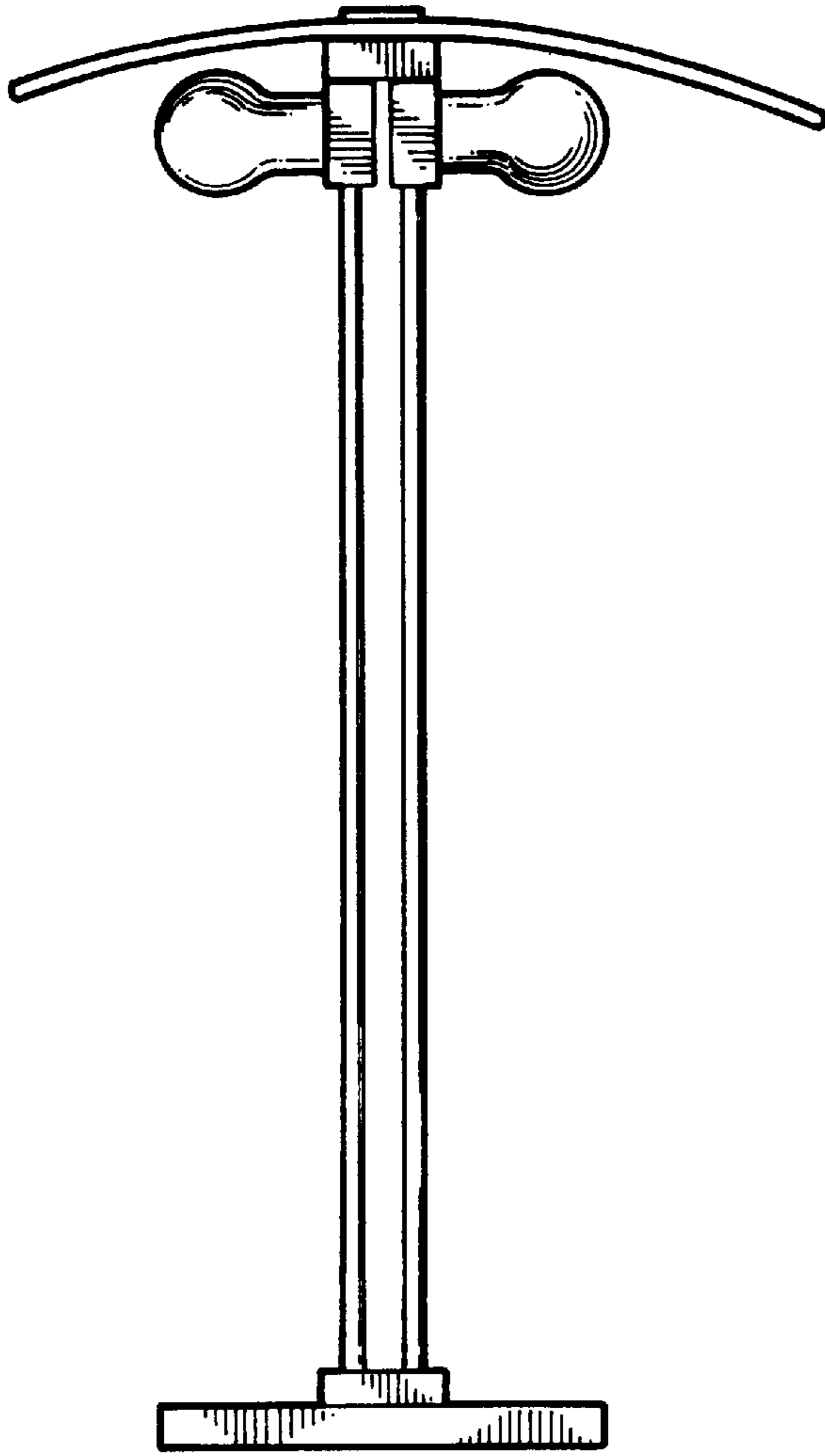


FIG. 2

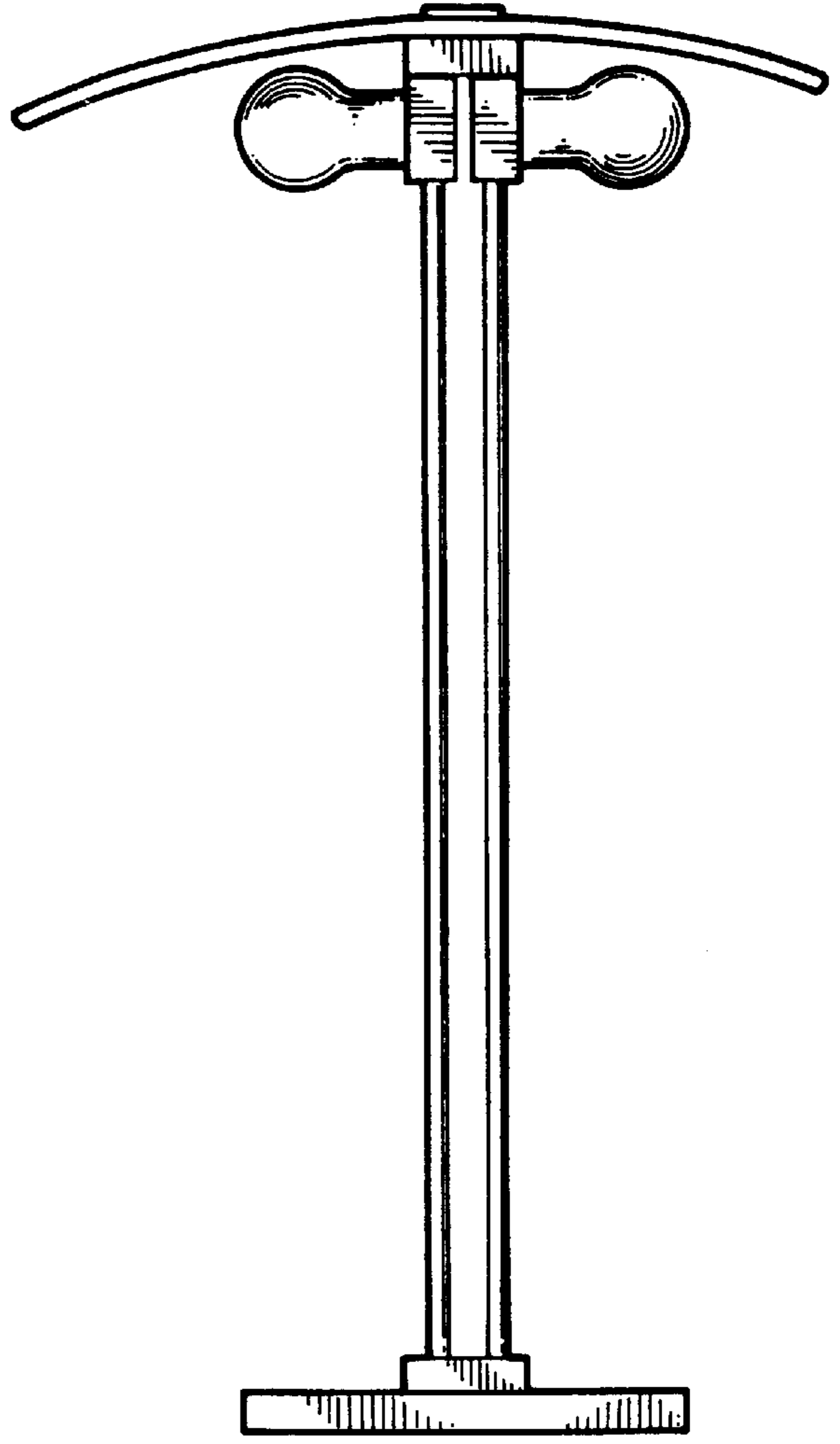


FIG. 3

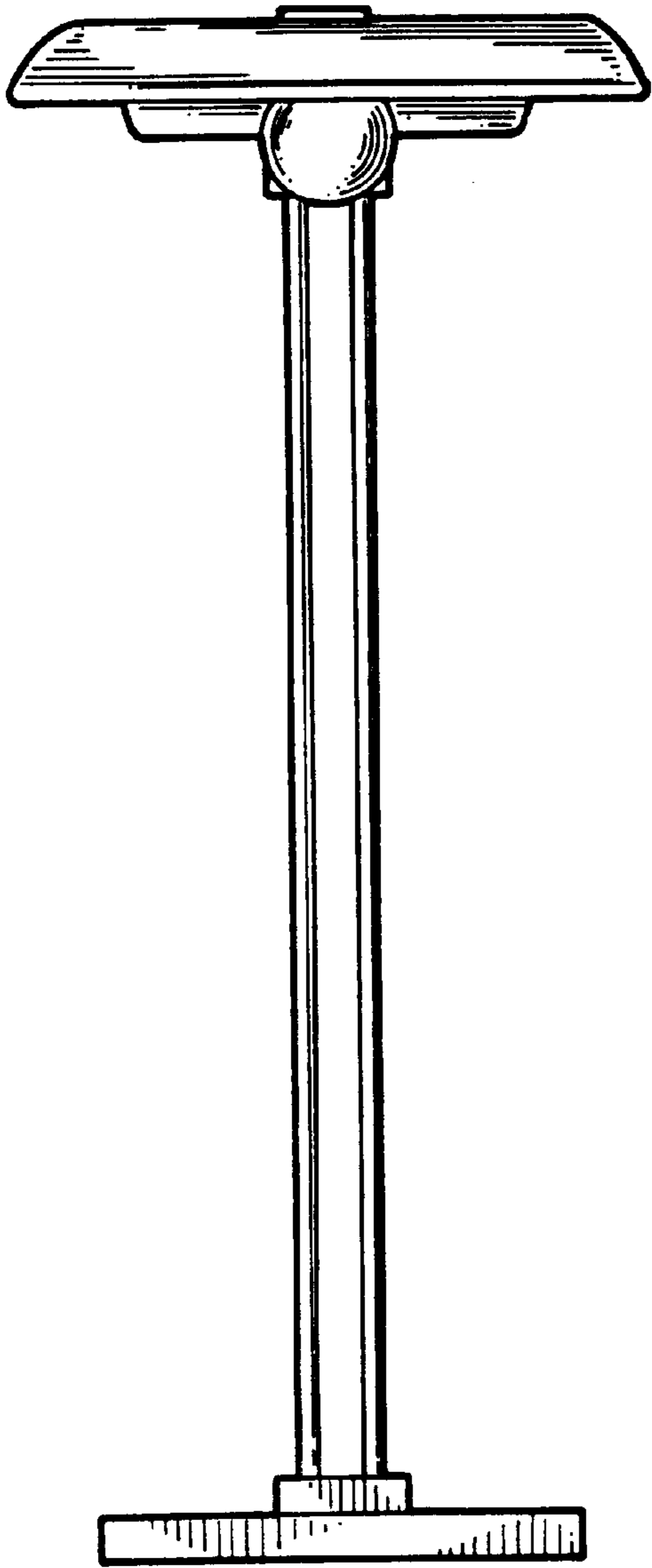


FIG. 4

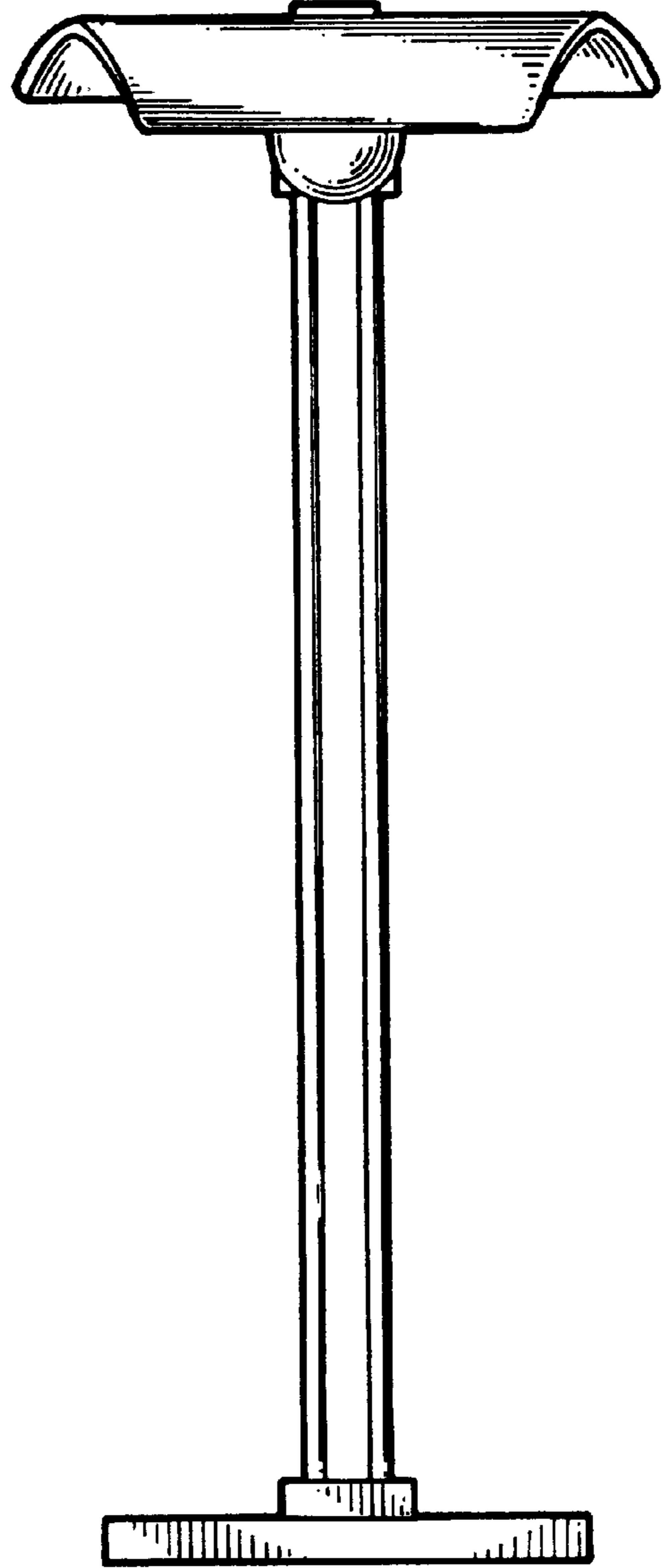


FIG. 5

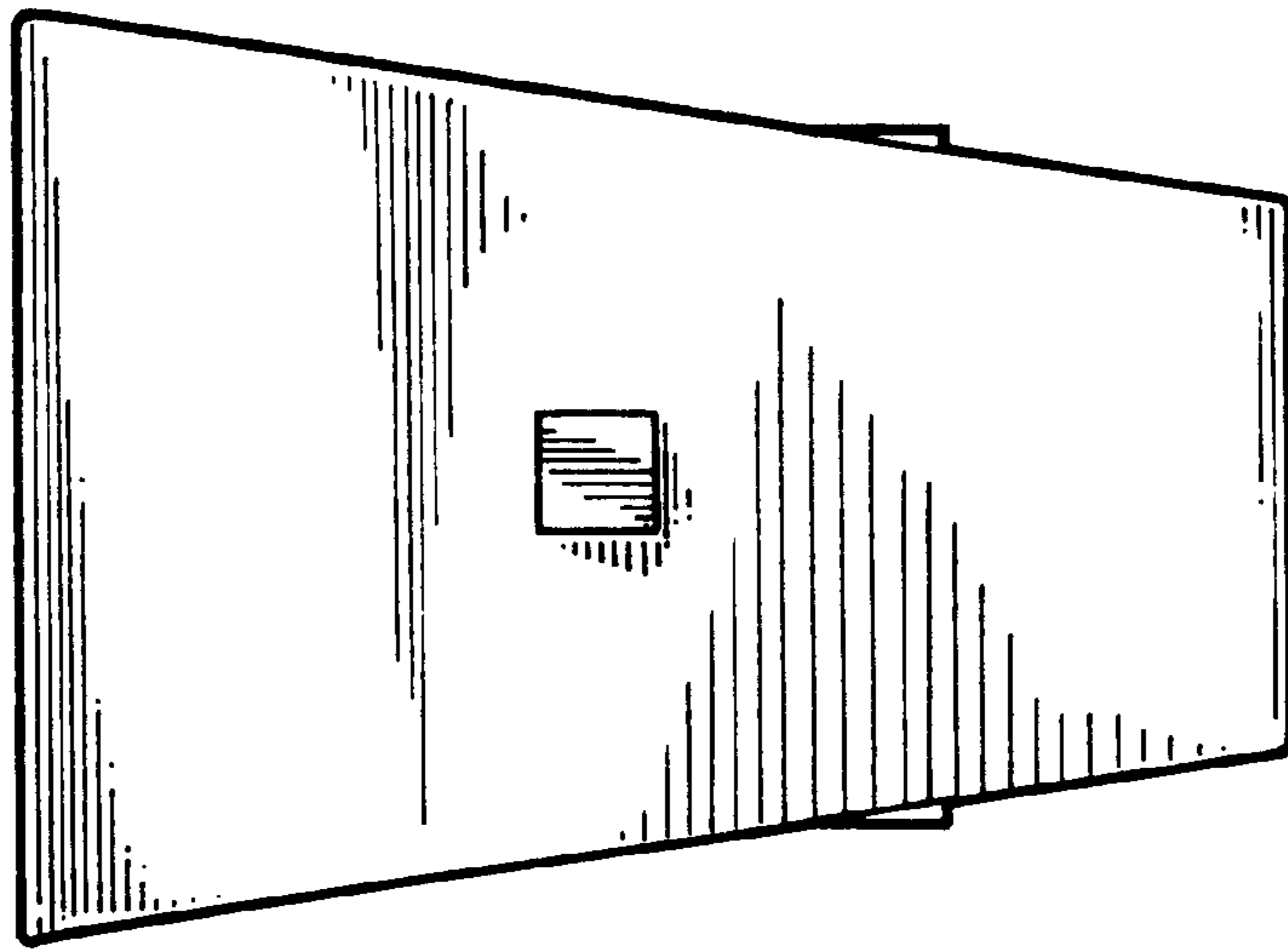


FIG. 6

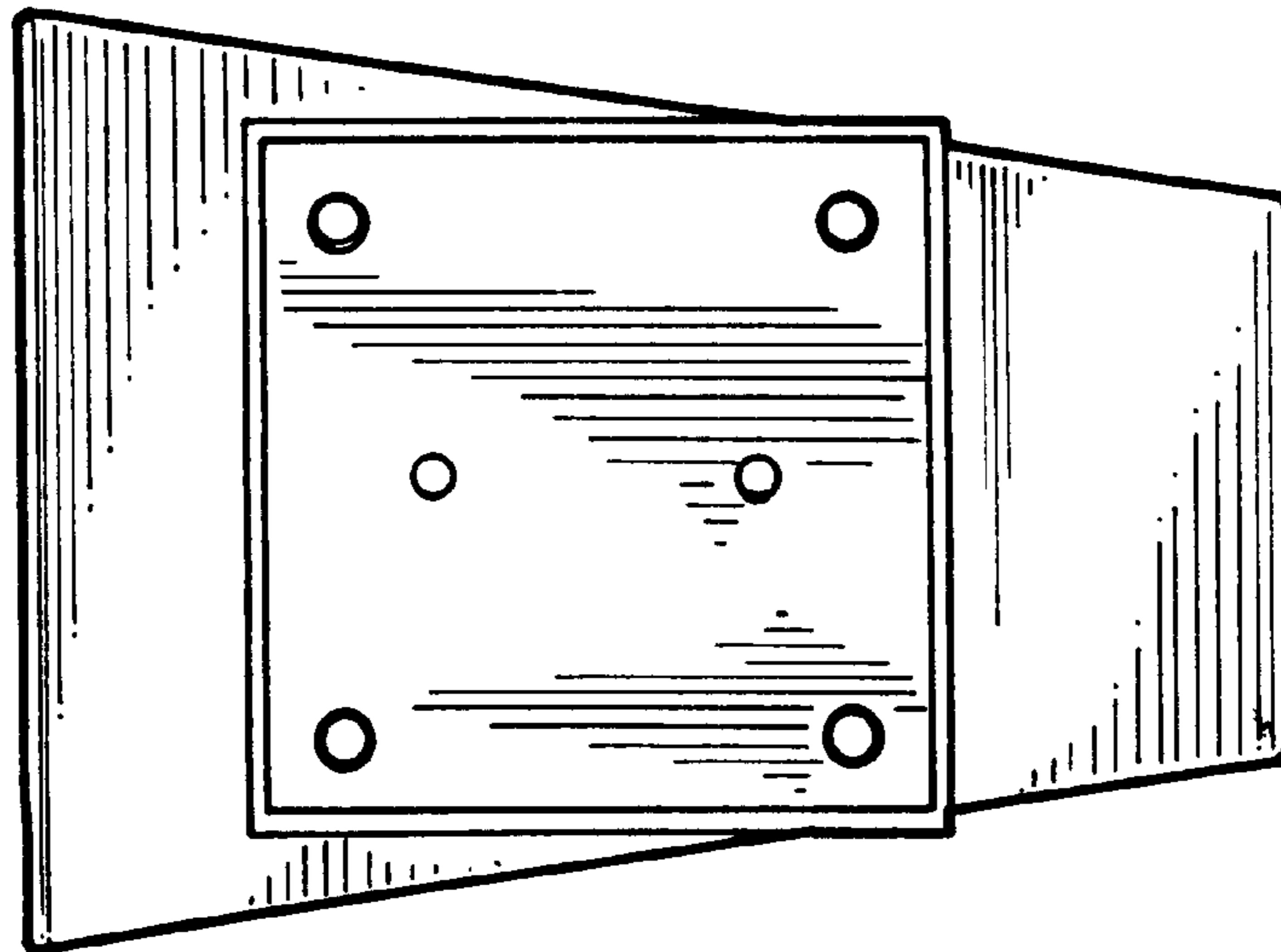


FIG. 7