



US00D468853S

(12) **United States Design Patent**
Chang

(10) **Patent No.:** **US D468,853 S**

(45) **Date of Patent:** **** Jan. 14, 2003**

(54) **SOLAR LAMP**

(76) Inventor: **Tsu-Kang Chang**, No. 569-1, Pei-An Rd., Chung-Shan Dist., Taipei (TW)

(**) Term: **14 Years**

(21) Appl. No.: **29/163,080**

(22) Filed: **Jun. 26, 2002**

(51) **LOC (7) Cl.** **26-05**

(52) **U.S. Cl.** **D26/67**

(58) **Field of Search** D26/67-72, 85,
D26/87, 92; 362/147, 153, 153.1, 183,
276, 363, 367, 431

(56) **References Cited**

U.S. PATENT DOCUMENTS

D71,141 S	*	9/1926	Friedman	D26/87
D74,129 S	*	12/1927	Wagner	D26/87
D100,556 S	*	7/1936	Gosling	D26/67
D102,553 S	*	12/1936	Gosling	D26/67
5,414,607 A	*	5/1995	Harris et al.	362/362

OTHER PUBLICATIONS

Home Lighting and Accessories Mar. 1996, p. 40, Dabmar pathway lighting fixture in lower right photo.*

* cited by examiner

Primary Examiner—Alan P. Douglas

Assistant Examiner—Clare E. Heflin

(74) *Attorney, Agent, or Firm*—Jackson Walker L.L.P.

(57) **CLAIM**

The ornamental design for a solar lamp, as shown and described.

DESCRIPTION

FIG. 1 is a perspective view of a solar lamp, showing my new design;

FIG. 2 is a front elevational view thereof, the rear elevation view is a mirror image of the front elevation view;

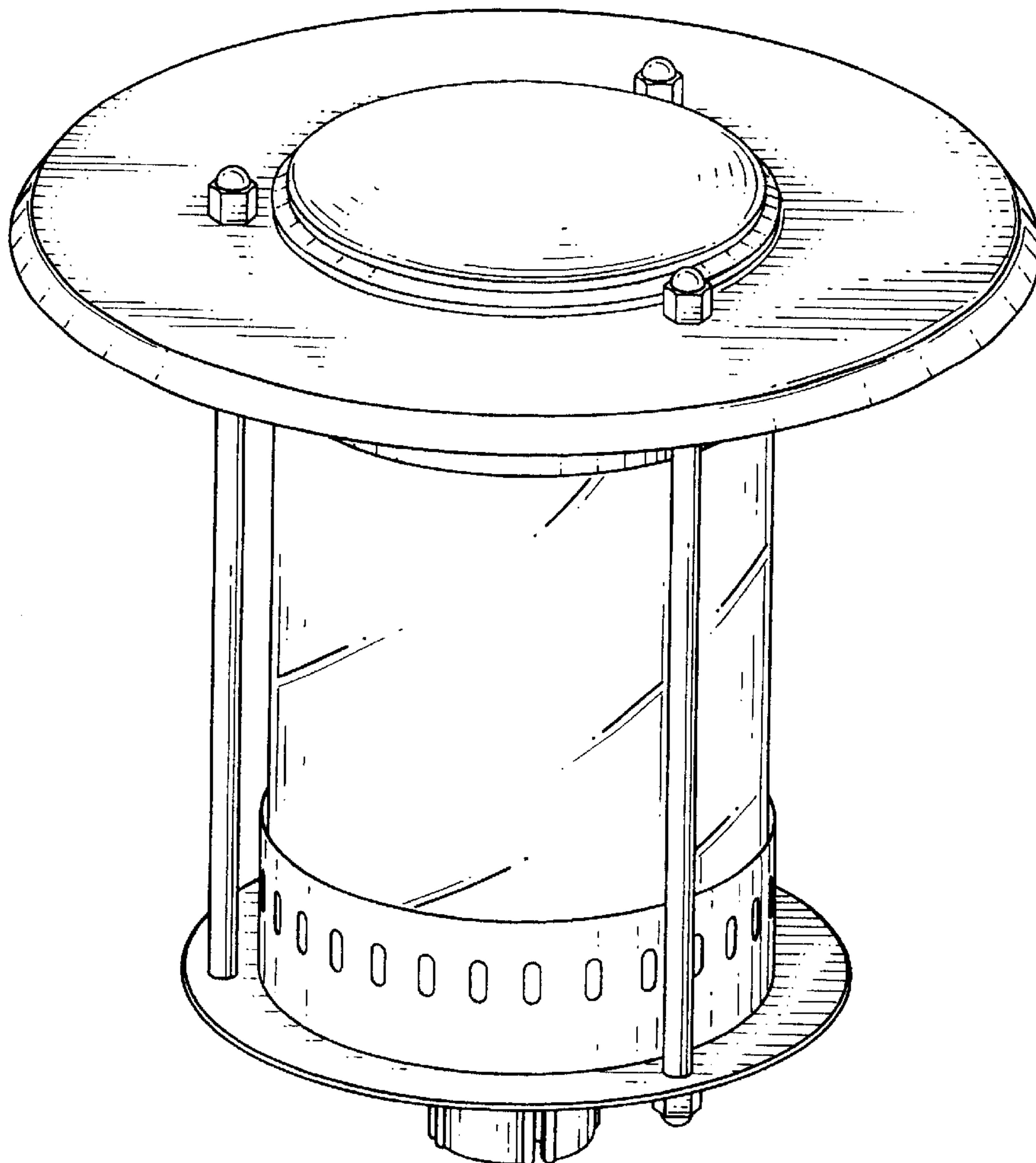
FIG. 3 is a left elevational view thereof;

FIG. 4 is a right elevational view thereof;

FIG. 5 is a top plan view thereof; and,

FIG. 6 is a bottom plan view thereof.

1 Claim, 6 Drawing Sheets



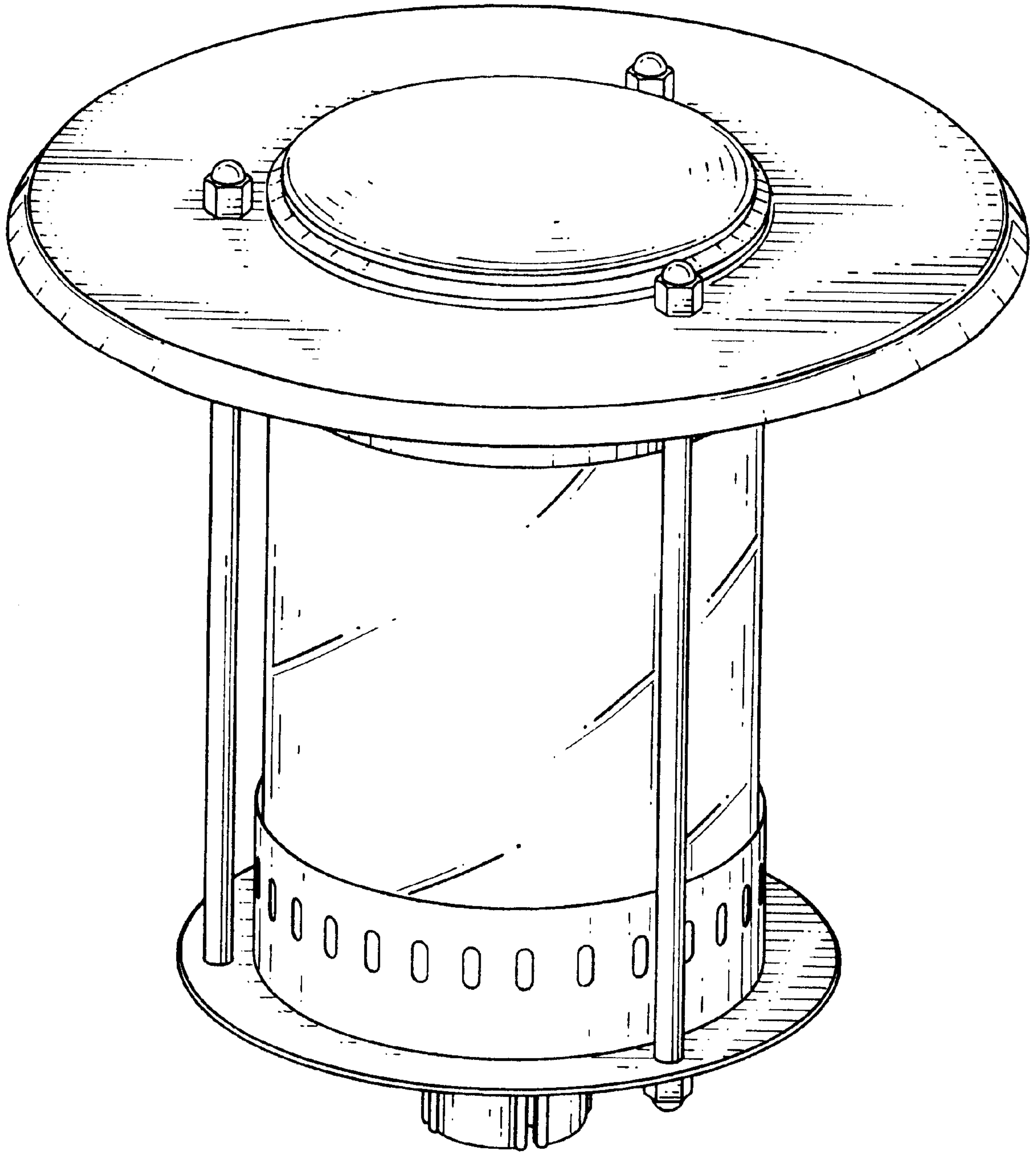


FIG.1

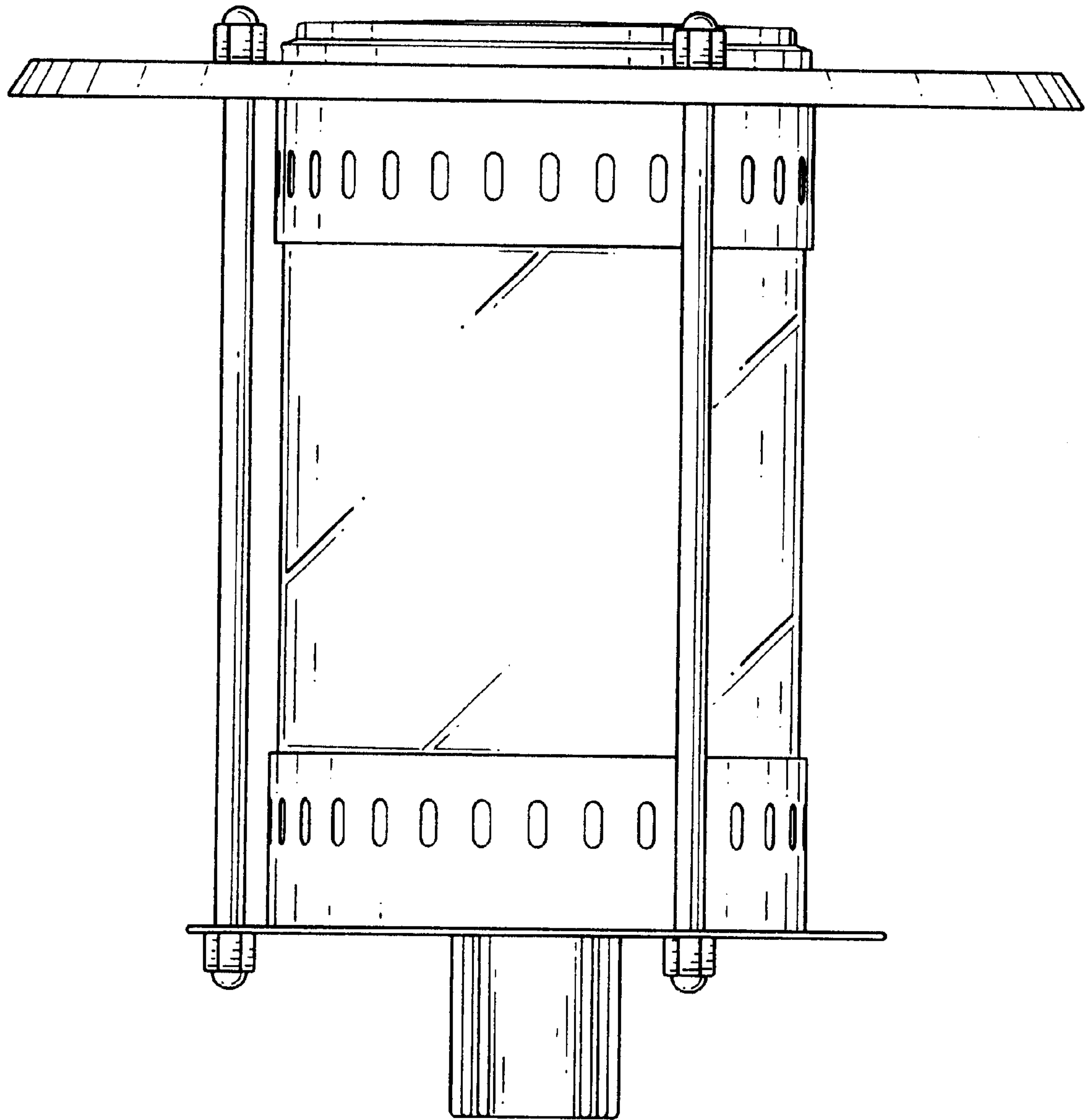


FIG.2

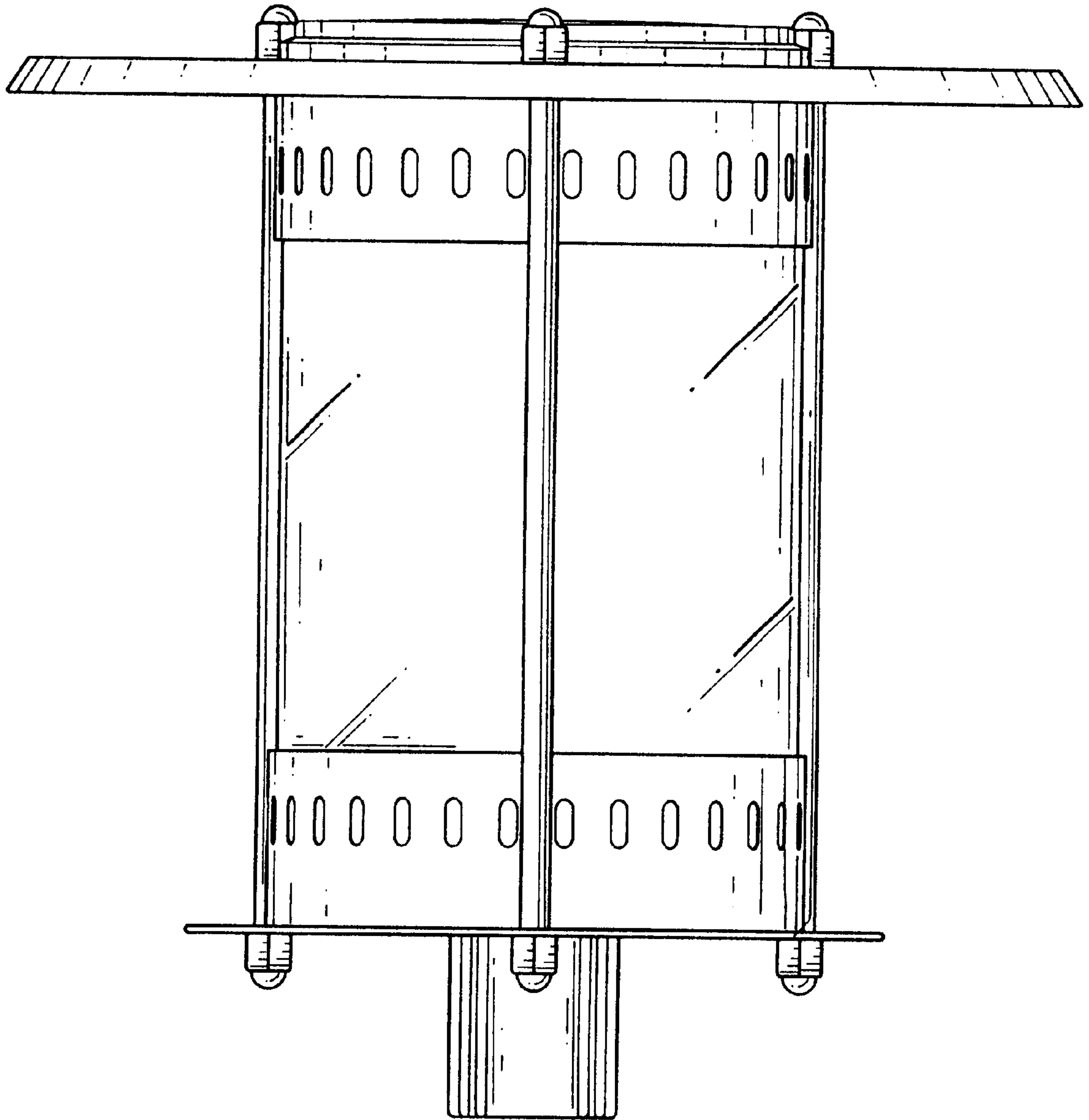


FIG. 3

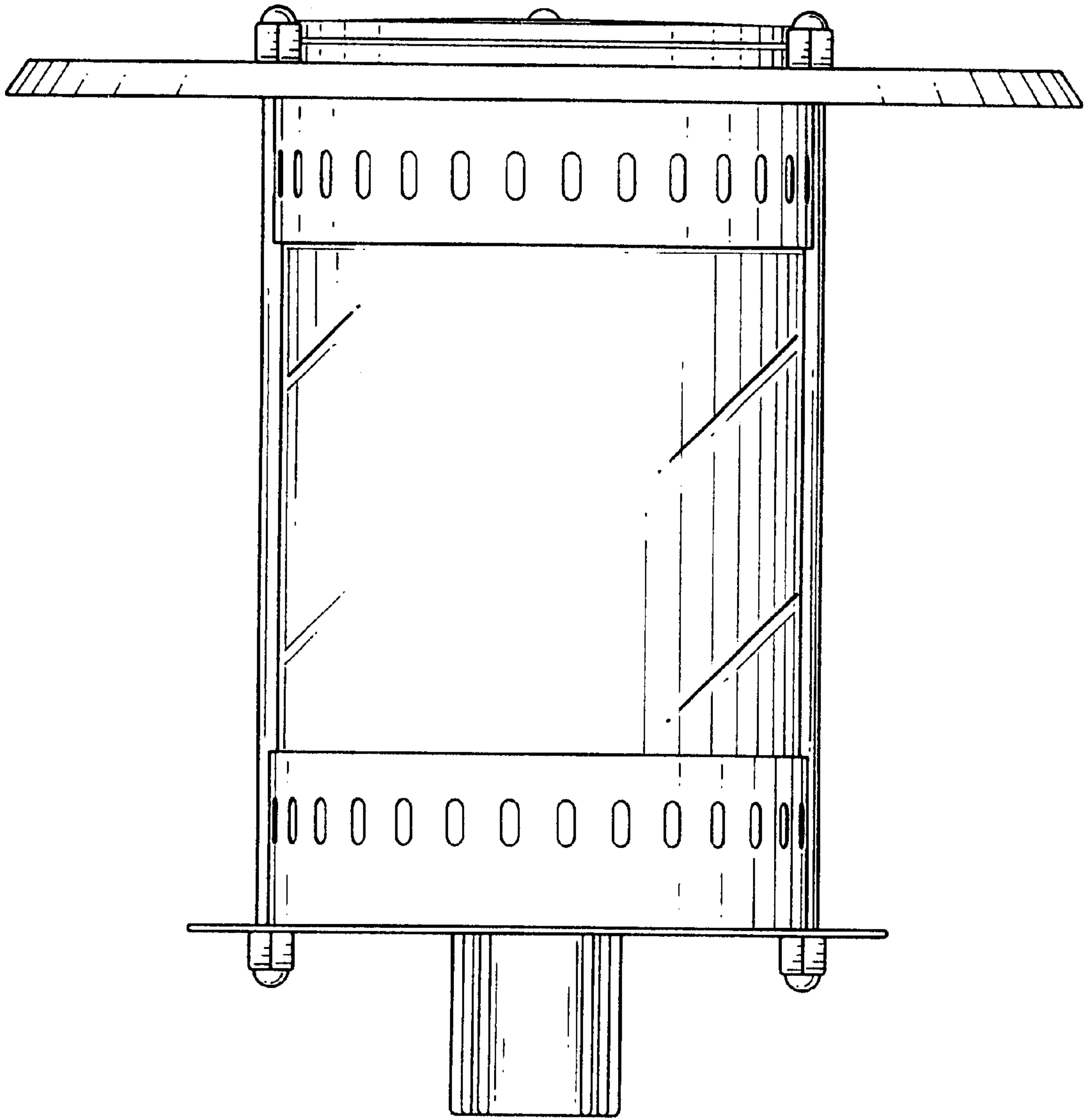


FIG. 4

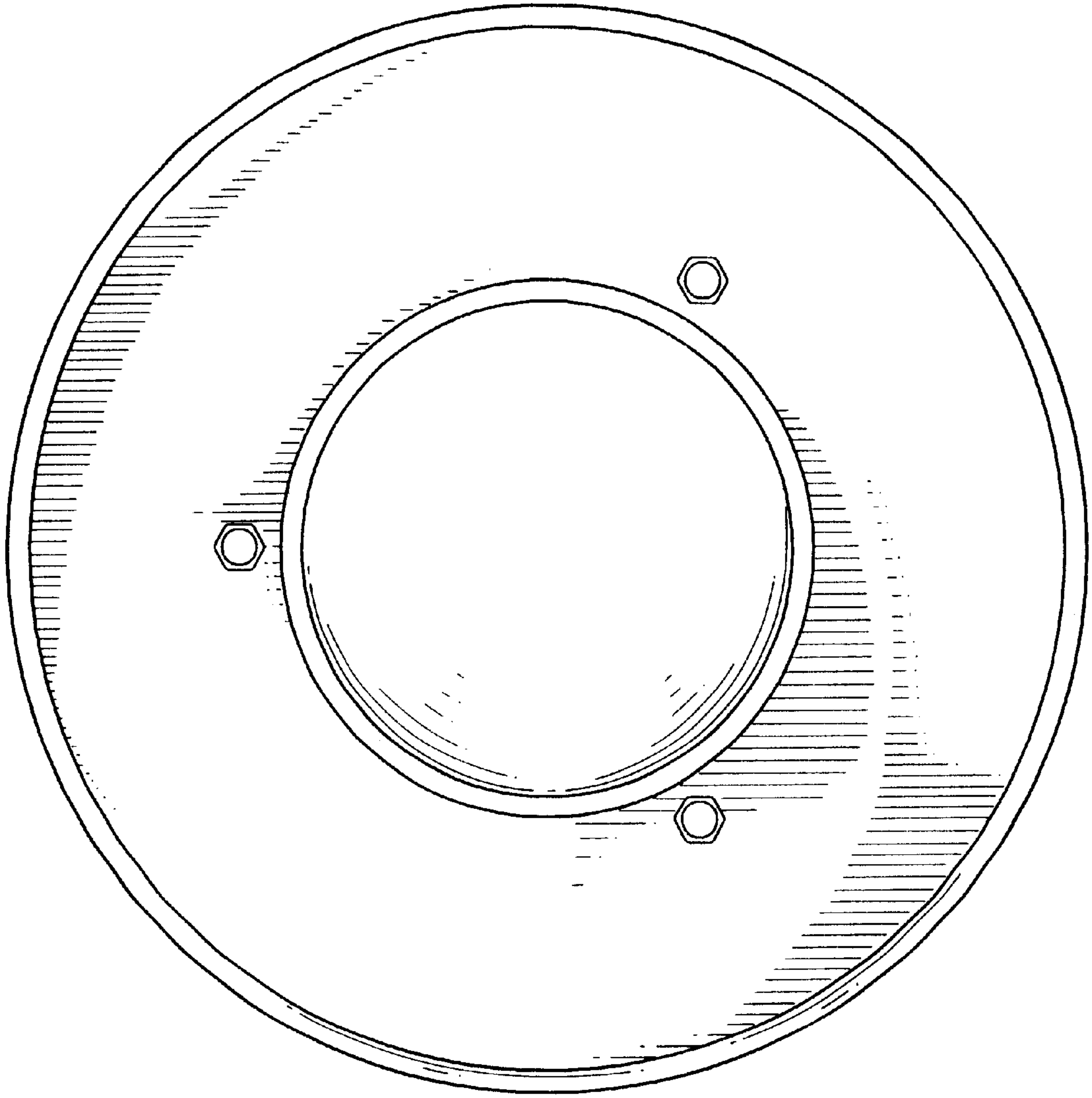


FIG.5

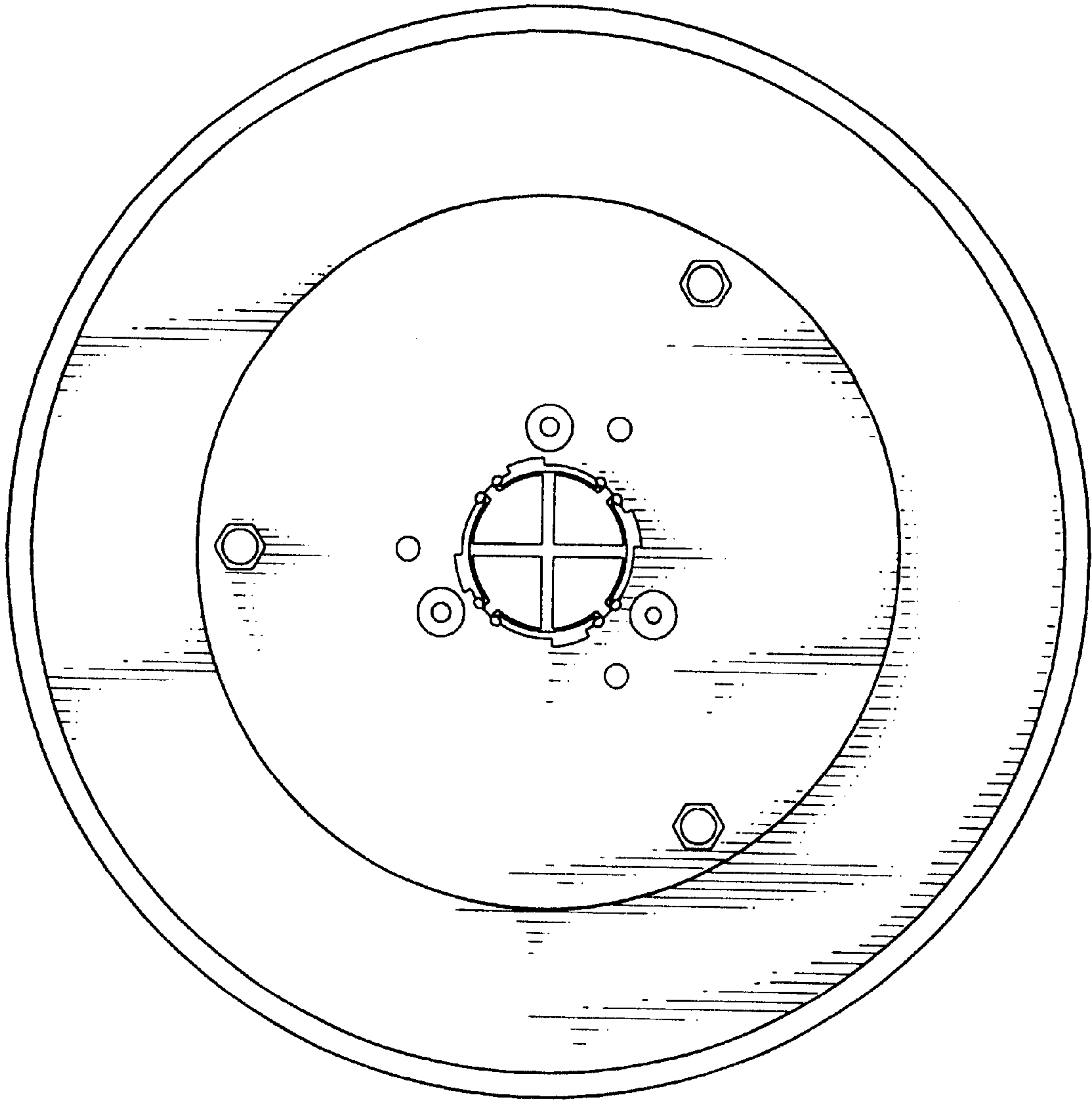


FIG.6