



US00D468851S

(12) **United States Design Patent**
Galli

(10) **Patent No.:** **US D468,851 S**

(45) **Date of Patent:** **** Jan. 14, 2003**

(54) **FLASHLIGHT HEAD**

(76) **Inventor:** **Robert D. Galli**, 8176 Horseshoe Bend
La., Las Vegas, NV (US) 89113

(**) **Term:** **14 Years**

(21) **Appl. No.:** **29/159,873**

(22) **Filed:** **Apr. 30, 2002**

(51) **LOC (7) Cl.** **26-02**

(52) **U.S. Cl.** **D26/37**

(58) **Field of Search** D26/37-50; 362/157,
362/158, 171, 172, 173, 183-208

(56) **References Cited**

U.S. PATENT DOCUMENTS

| | | | | | |
|------------|---|---------|----------|-------|--------|
| D421,657 S | * | 3/2000 | Siebert | | D26/37 |
| D428,504 S | * | 7/2000 | Saunders | | D26/49 |
| D434,164 S | * | 11/2000 | Galli | | D26/49 |
| D455,510 S | * | 4/2002 | Galli | | D26/37 |

* cited by examiner

Primary Examiner—Marcus A. Jackson

(74) *Attorney, Agent, or Firm*—Barlow, Josephs &
Holmes, Ltd.

(57) **CLAIM**

The ornamental design for a flashlight head, as shown and described.

DESCRIPTION

FIG. 1 is a perspective view showing my new design for a flashlight head;

FIG. 2 is a top view thereof;

FIG. 3 is a front view thereof;

FIG. 4 is a left side view thereof;

FIG. 5 is a bottom view thereof;

FIG. 6 is a right side view thereof;

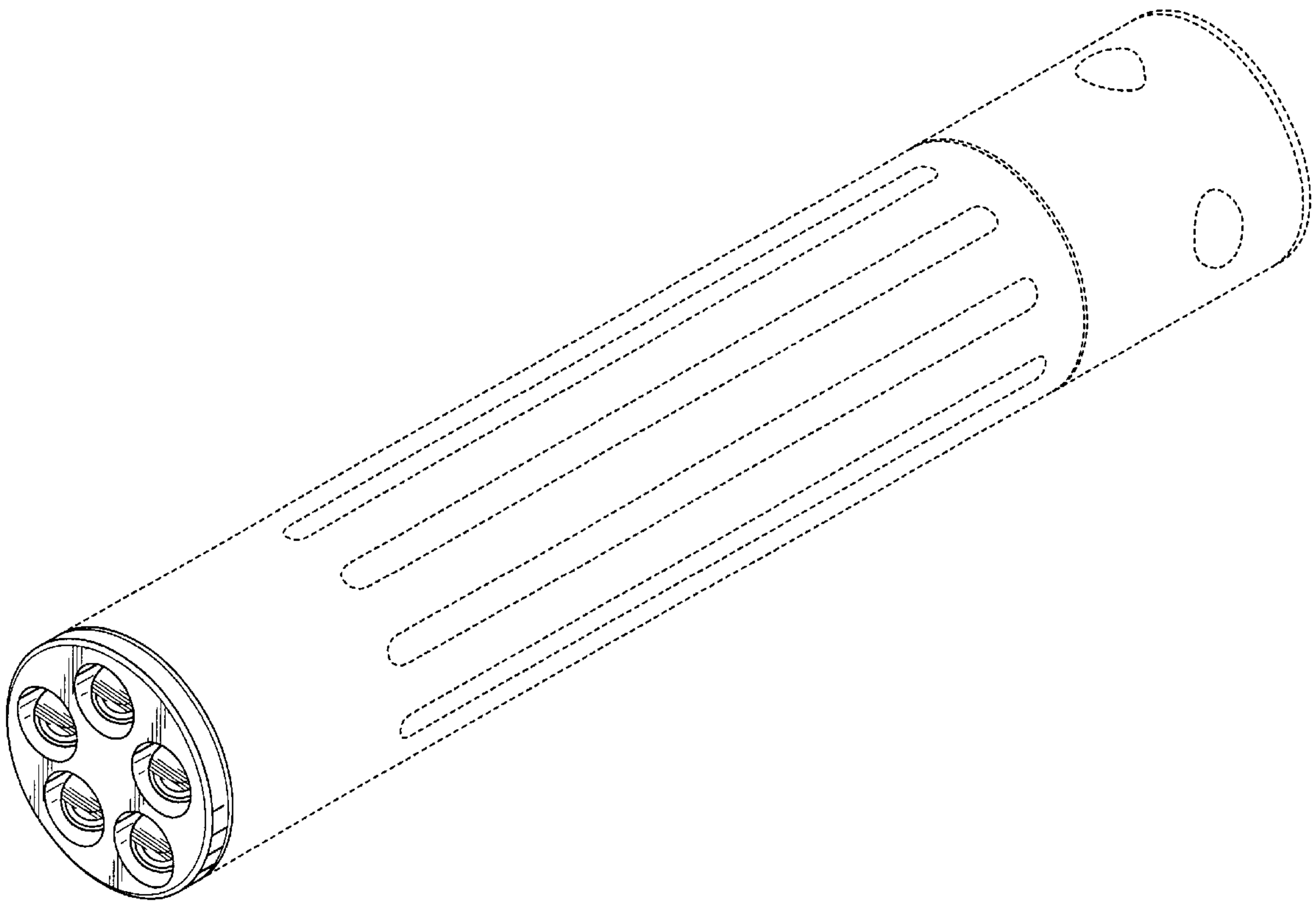
FIG. 7 is a rear view thereof;

FIG. 8 is a perspective view of a first alternate embodiment of my new design for a flashlight head; and,

FIG. 9 is a perspective view of a second alternate embodiment of my new design for a flashlight head.

The broken lines in the drawing figures are for illustrative purposes only and do not form a part of the claimed design.

1 Claim, 6 Drawing Sheets



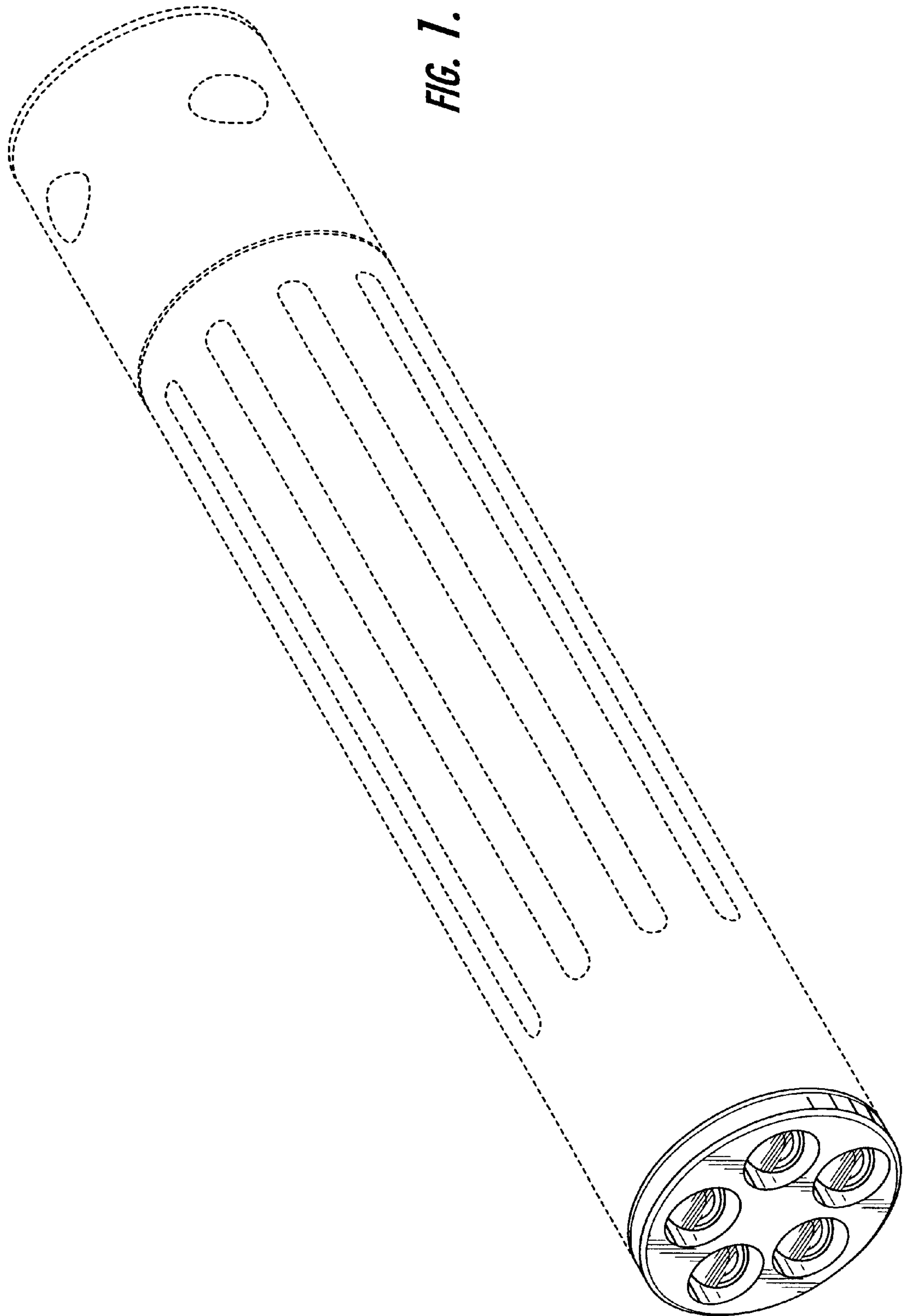


FIG. 1.

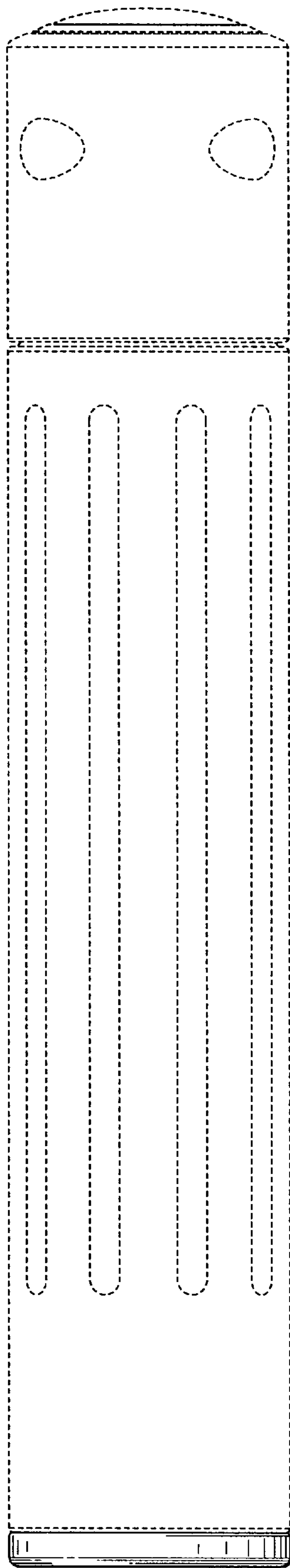


FIG. 2.

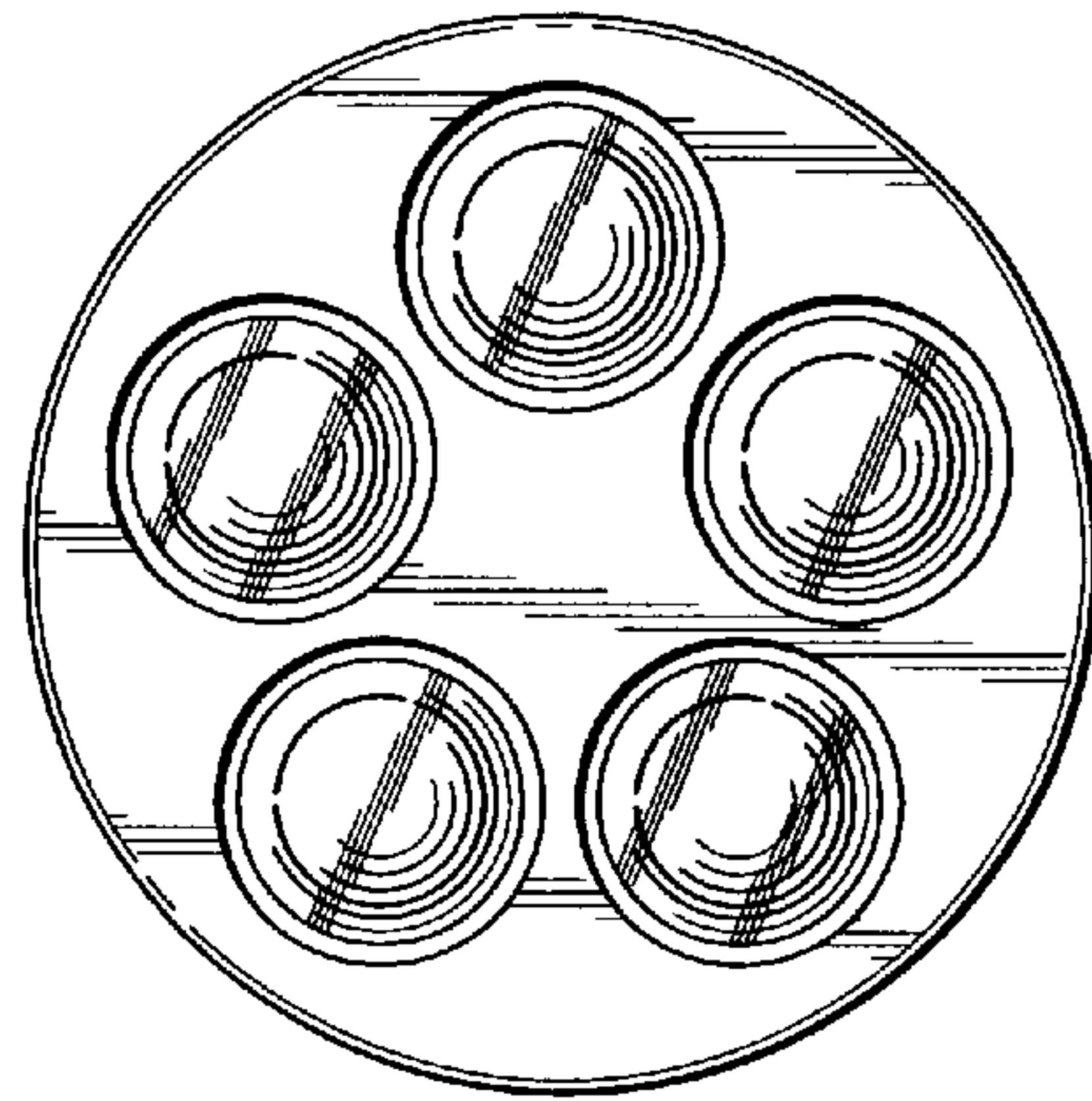


FIG. 3.

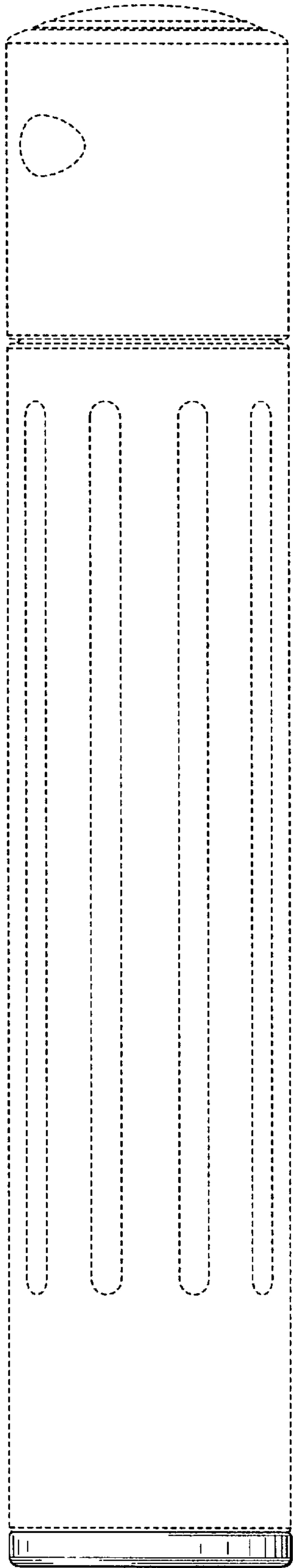


FIG. 4.

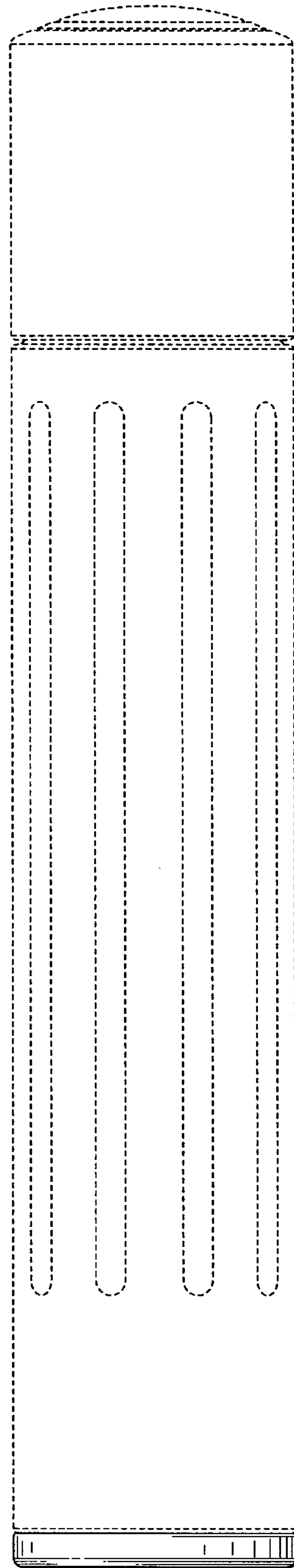


FIG. 5.

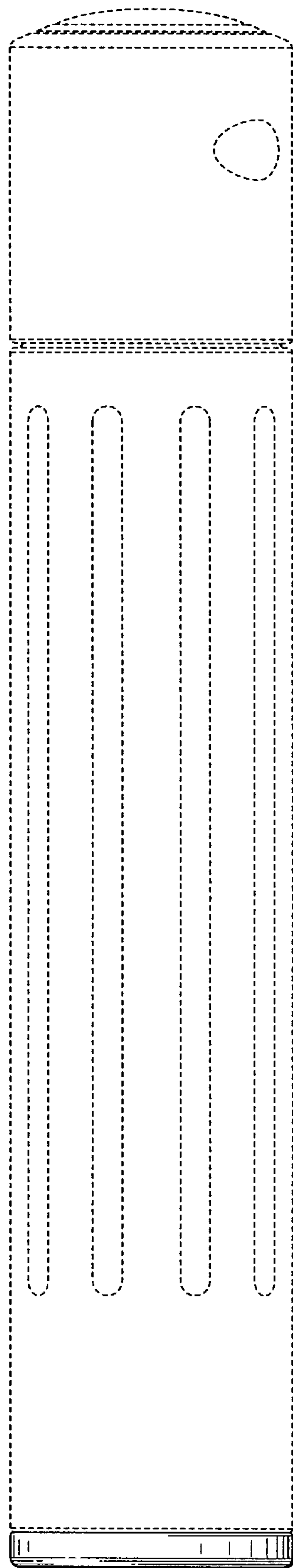


FIG. 6.

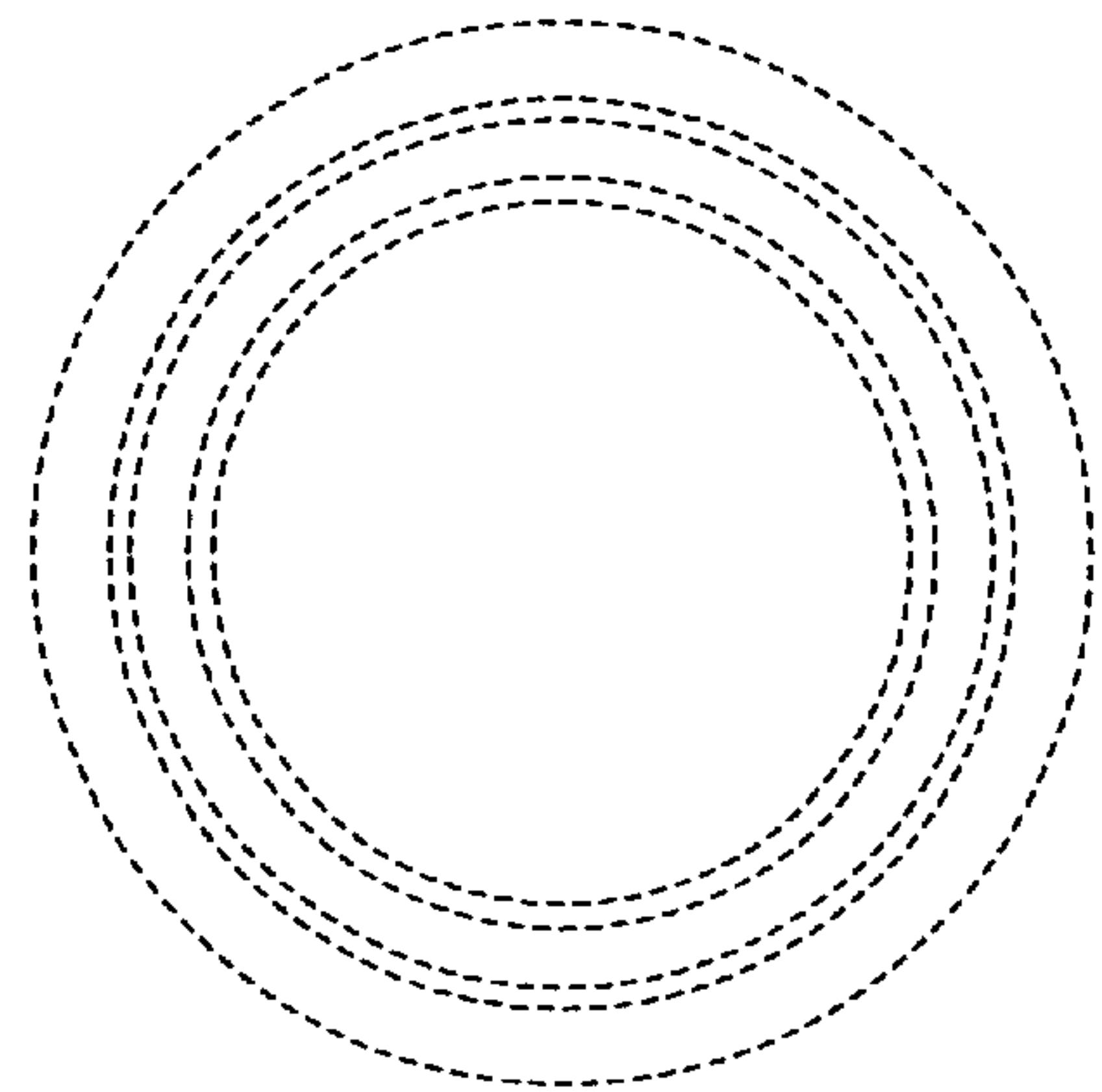


FIG. 7.

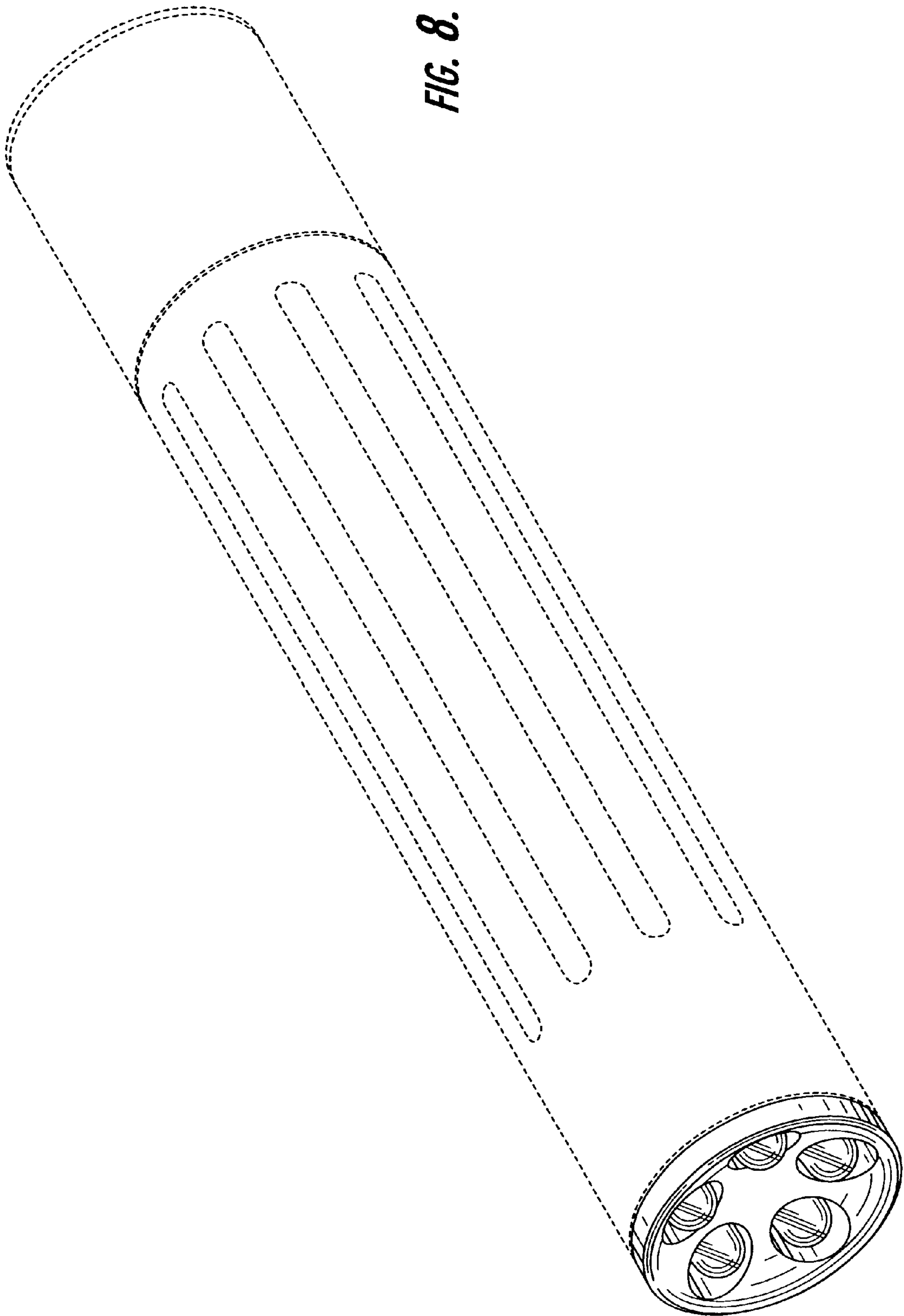


FIG. 8.

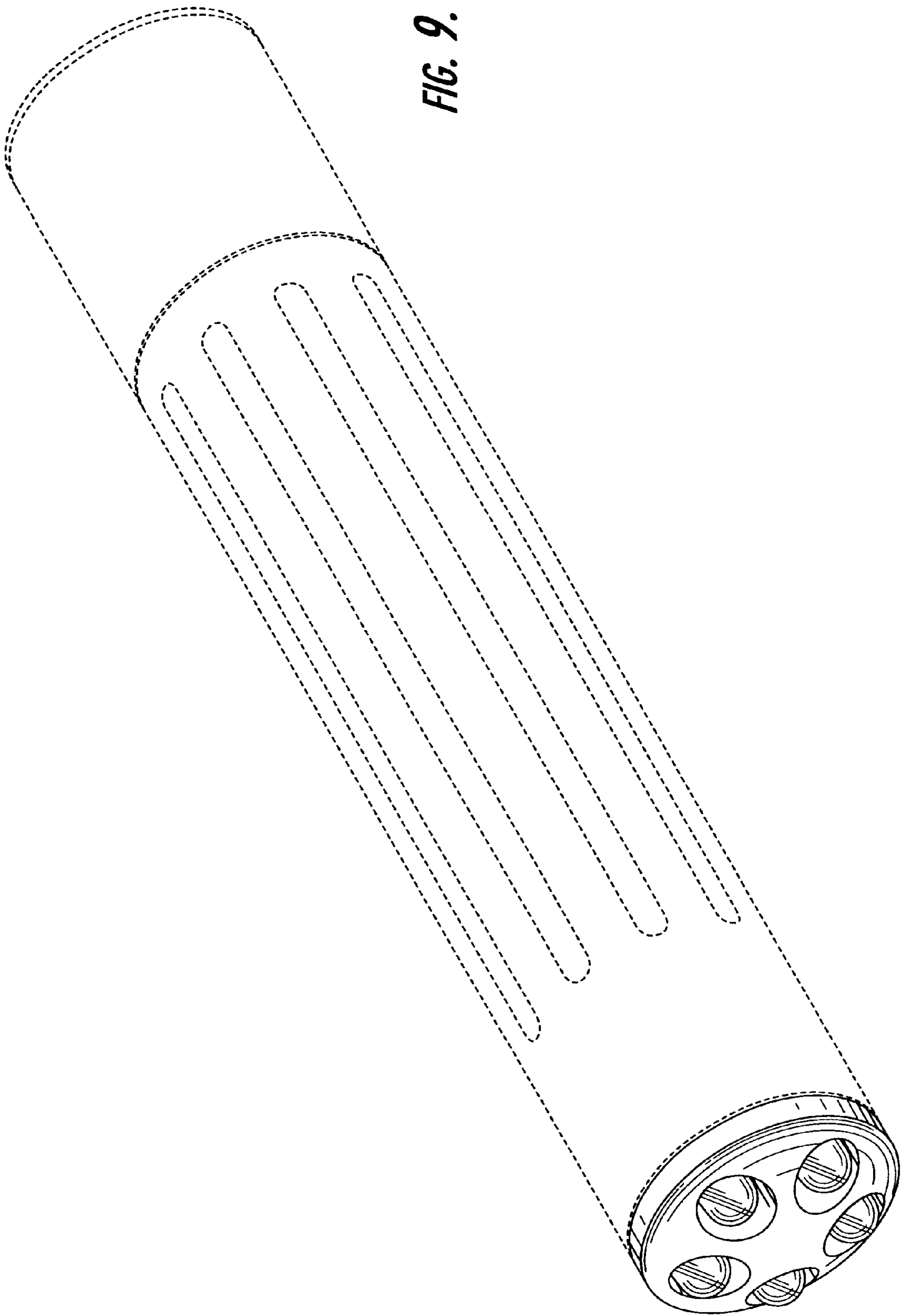


FIG. 9.