



US00D468849S

(12) **United States Design Patent**
Yang

(10) **Patent No.:** **US D468,849 S**

(45) **Date of Patent:** **** Jan. 14, 2003**

(54) **VEHICULAR TAIL LIGHT**

(76) **Inventor:** **Milton Yang**, 427 Sec. 2, Wenhua Road, Panchiao, Taipei (TW)

(**) **Term:** **14 Years**

(21) **Appl. No.:** **29/158,719**

(22) **Filed:** **Apr. 8, 2002**

(51) **LOC (7) Cl.** **26-02**

(52) **U.S. Cl.** **D26/28**

(58) **Field of Search** D26/28-36; 362/61, 362/80, 81, 82, 83, 83.4, 267, 269, 275

(56) **References Cited**

U.S. PATENT DOCUMENTS

- D448,098 S * 9/2001 Horowitz D26/28
- D457,975 S * 5/2002 Horowitz D26/28

OTHER PUBLICATIONS

itg944d1.jpg, front of tail light.

itg944d2.jpg, back of tail light.

itg944d3.jpg, side of tail light.

* cited by examiner

Primary Examiner—Marcus A. Jackson

(74) *Attorney, Agent, or Firm*—Stetina Brunda Garred & Brucker

(57) **CLAIM**

The ornamental design for a vehicular tail light, as shown and described.

DESCRIPTION

FIG. 1 is a front elevational view of the vehicular tail light of the present invention showing my new design;

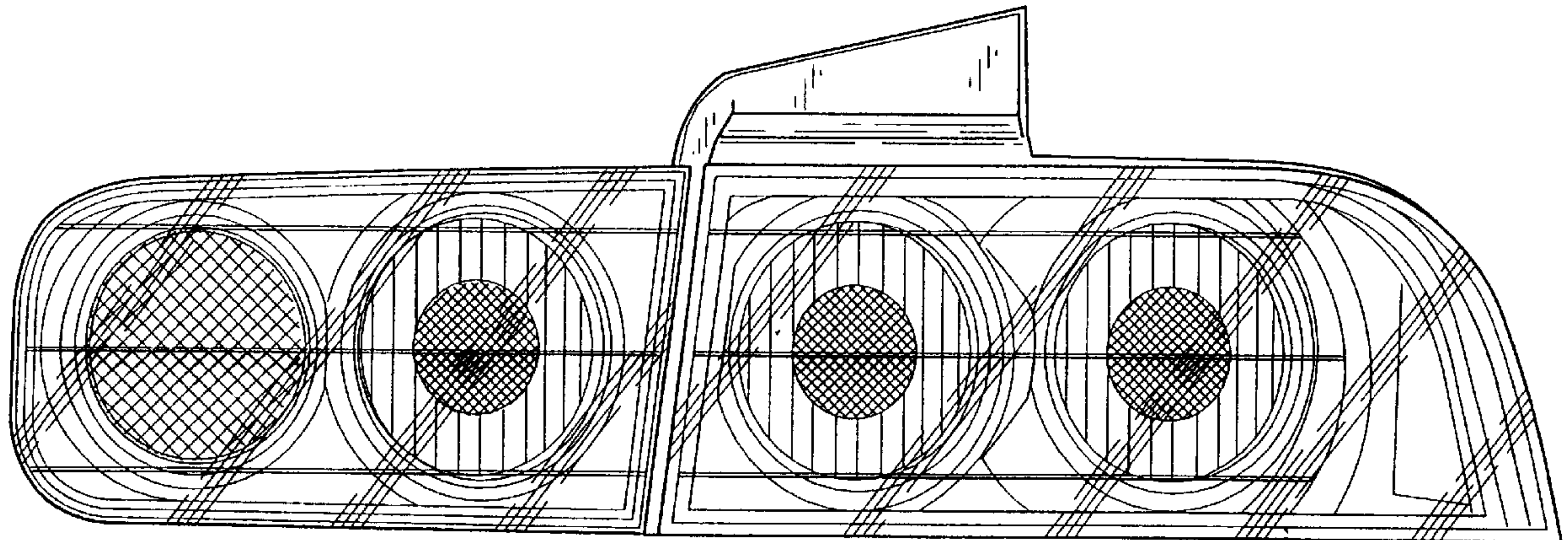
FIG. 2 is a left side elevational view thereof;

FIG. 3 is a right side elevational view thereof;

FIG. 4 is a top plan view thereof; and,

FIG. 5 is a bottom plan view thereof.

1 Claim, 2 Drawing Sheets



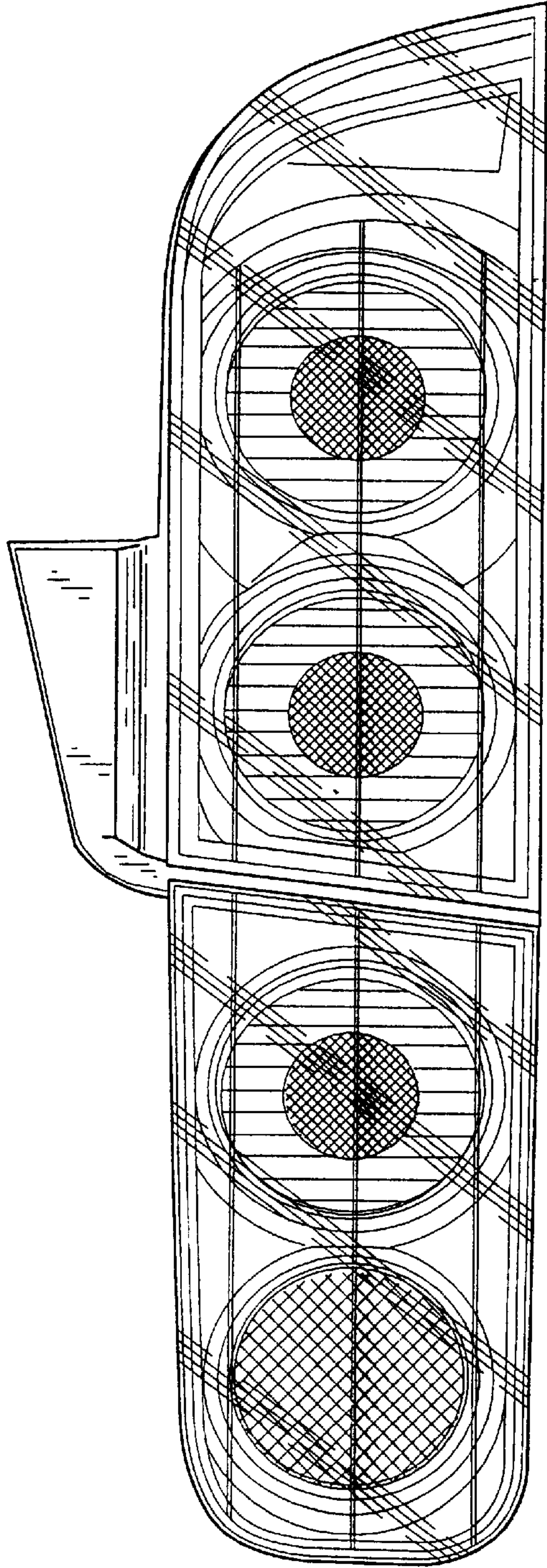


Fig. 1

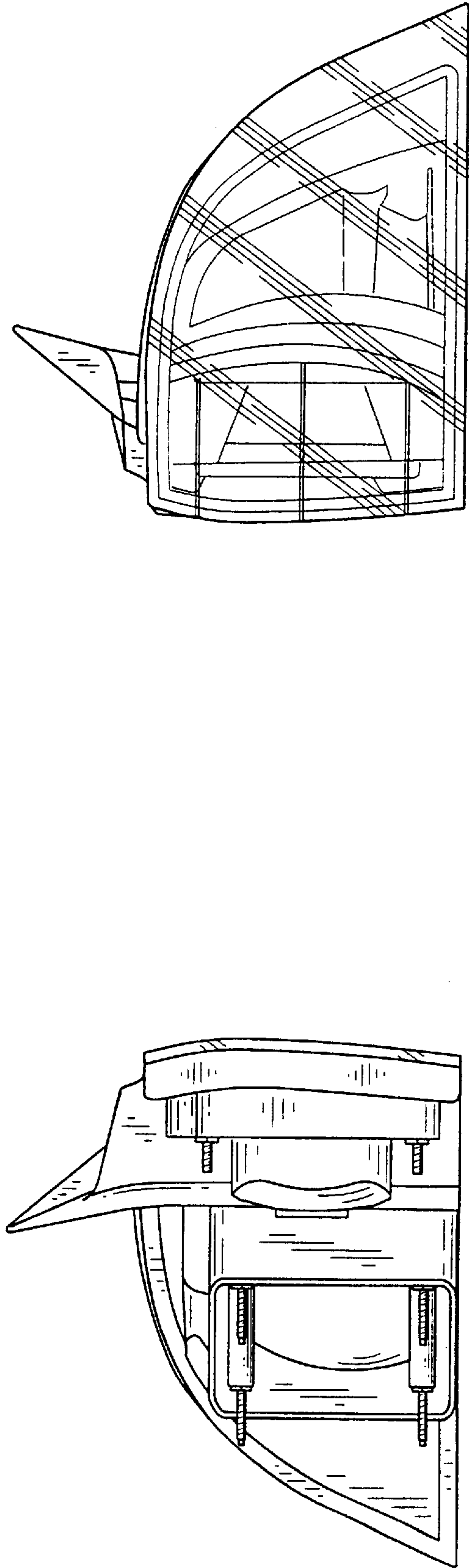


Fig. 3

Fig. 2

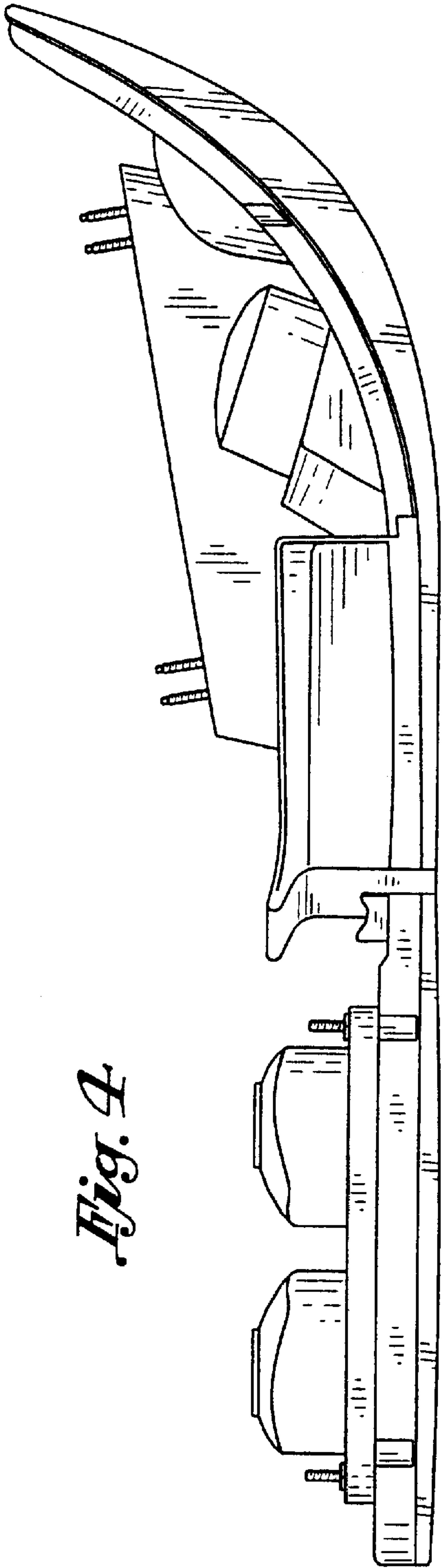


Fig. 4

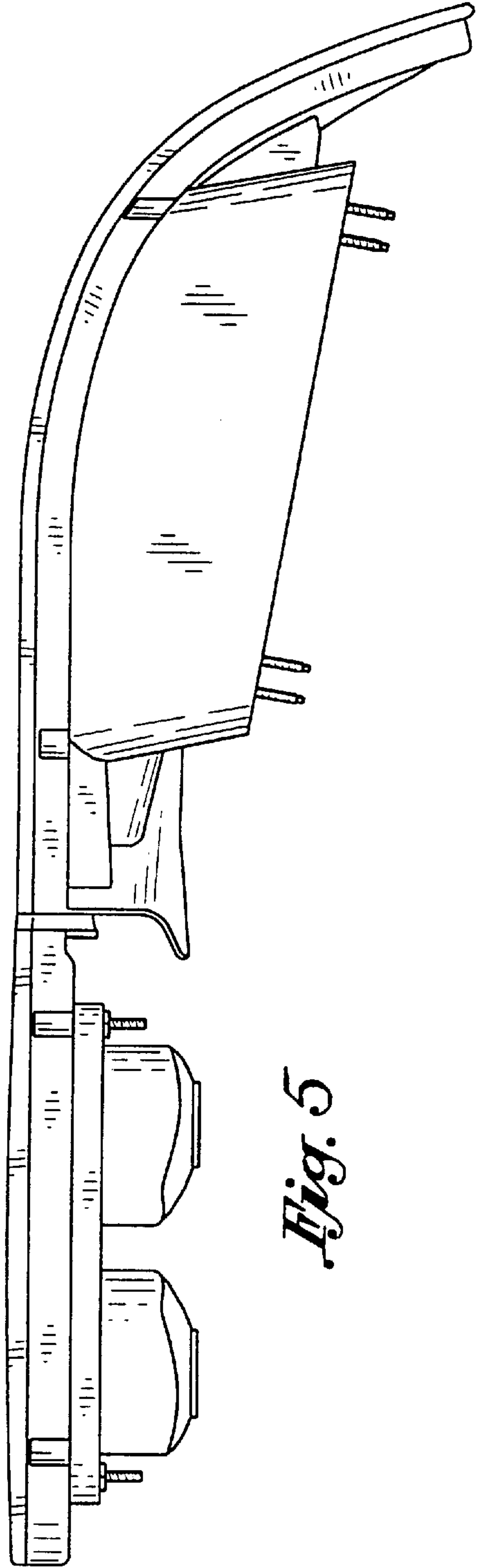


Fig. 5