



US00D468848S

(12) **United States Design Patent**  
**Schenck**

(10) **Patent No.:** **US D468,848 S**

(45) **Date of Patent:** **\*\* Jan. 14, 2003**

(54) **NIGHT LIGHT WITH CONVENIENCE  
OUTLETS**

(75) **Inventor:** **Grady Schenck, Walden, NY (US)**

(73) **Assignee:** **American Tack & Hardware Co.,  
Ltd., Monsey, NY (US)**

(\*\*) **Term:** **14 Years**

(21) **Appl. No.:** **29/160,765**

(22) **Filed:** **May 16, 2002**

(51) **LOC (7) Cl.** ..... **26-05**

(52) **U.S. Cl.** ..... **D26/26; D13/137.2**

(58) **Field of Search** ..... **D26/26, 32, 34,  
D26/93, 104, 107, 110, 127; D13/137.1,  
137.2, 139.1; 439/105, 650-652; 362/95,  
226, 335, 458, 340, 338**

(56) **References Cited**

**U.S. PATENT DOCUMENTS**

- 3,588,489 A \* 6/1971 Gaines ..... 439/650
- 3,739,226 A \* 6/1973 Seiter et al. .... 362/20
- 4,000,405 A \* 12/1976 Horwinski ..... 362/95
- D297,427 S \* 8/1988 Johnson ..... D13/139.1

- D382,658 S \* 8/1997 Yu ..... D13/137.1
- D425,638 S \* 5/2000 Yuen ..... D26/26
- D436,345 S \* 1/2001 Lentine ..... D13/137.2
- D441,717 S \* 5/2001 Echito ..... D13/139.1

\* cited by examiner

*Primary Examiner*—Alan P. Douglas

*Assistant Examiner*—Clare E. Heflin

(74) *Attorney, Agent, or Firm*—Hedman & Costigan, P.C.

(57) **CLAIM**

The ornamental design for a night light with convenience outlets, as shown and described.

**DESCRIPTION**

FIG. 1 is a bottom perspective view of the night light with convenience outlets according to my design;

FIG. 2 is a top view of my design;

FIG. 3 is a left side view of my design which is the mirror image of the right side view;

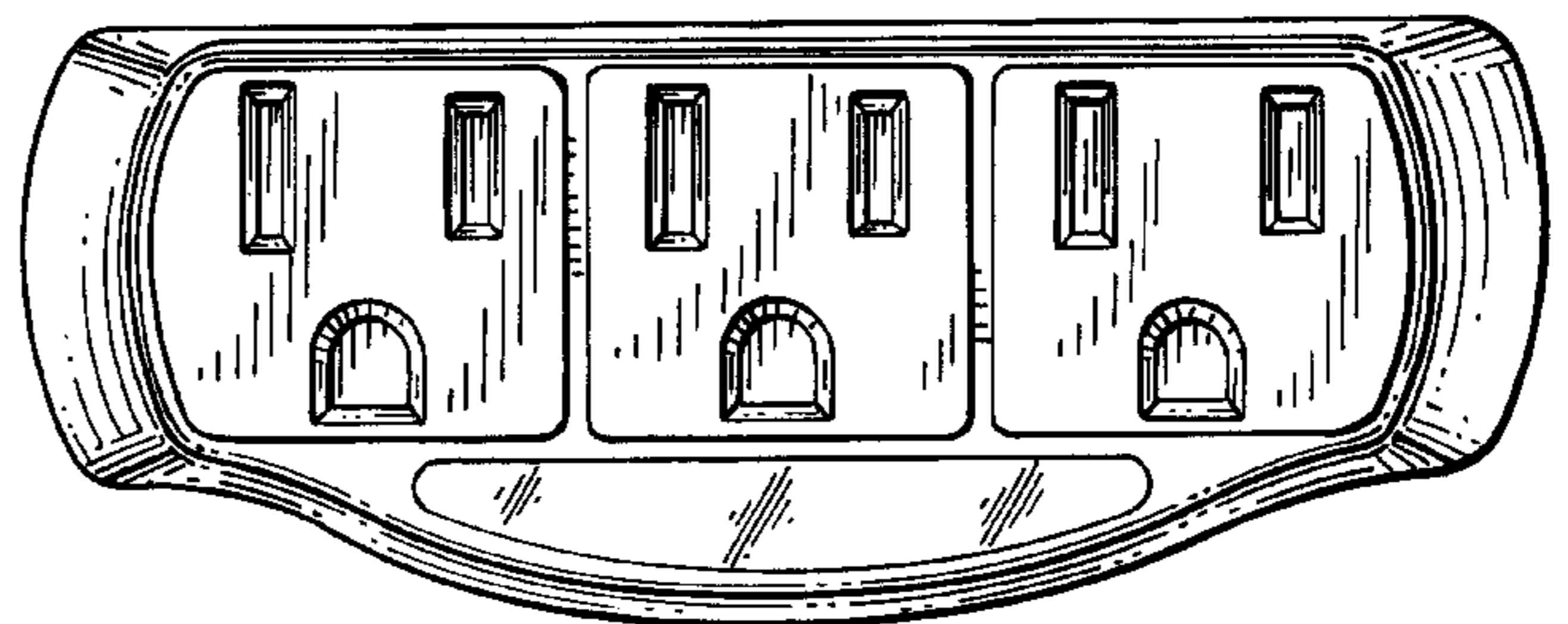
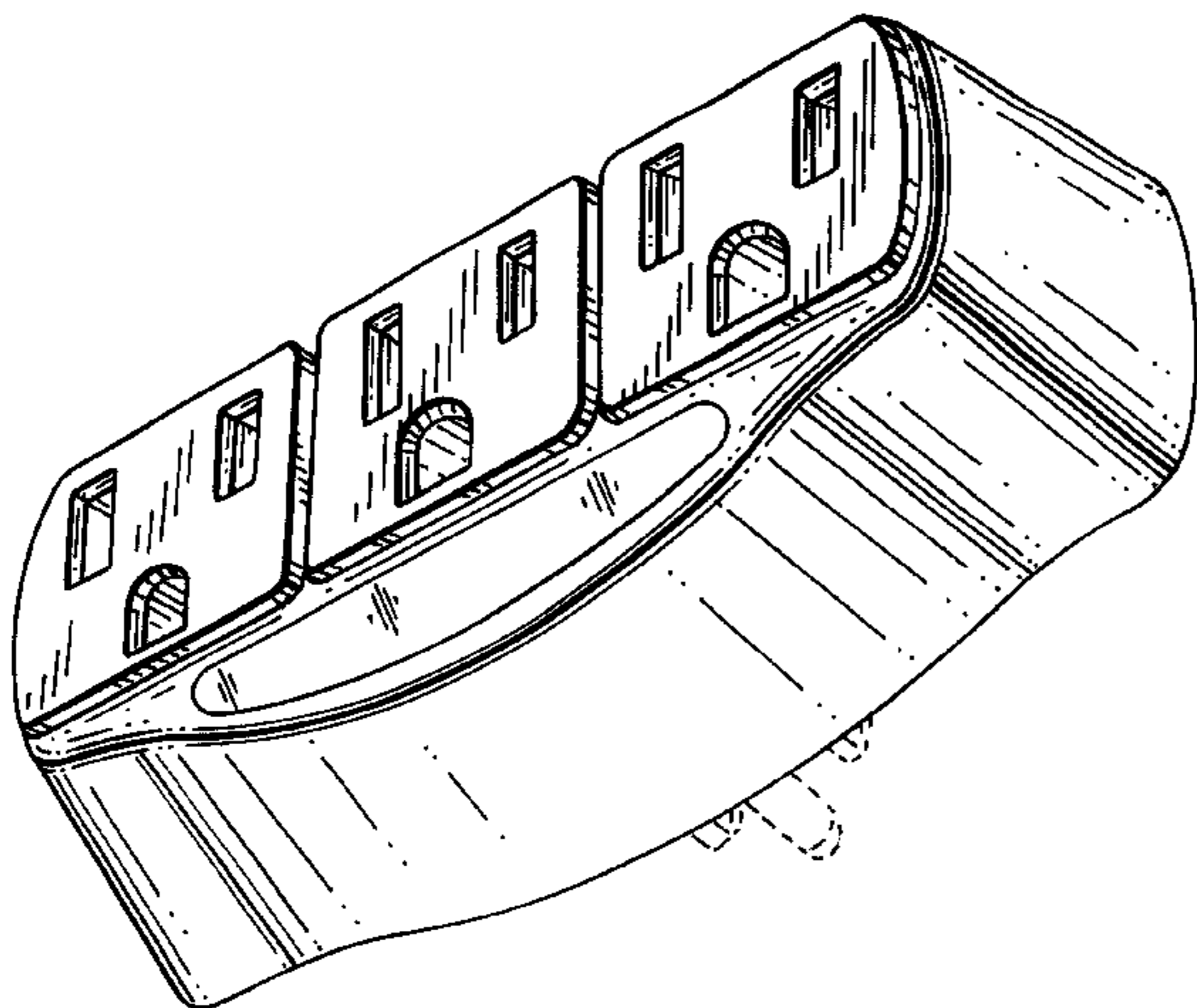
FIG. 4 is a front view of my design;

FIG. 5 is a back view of my design; and,

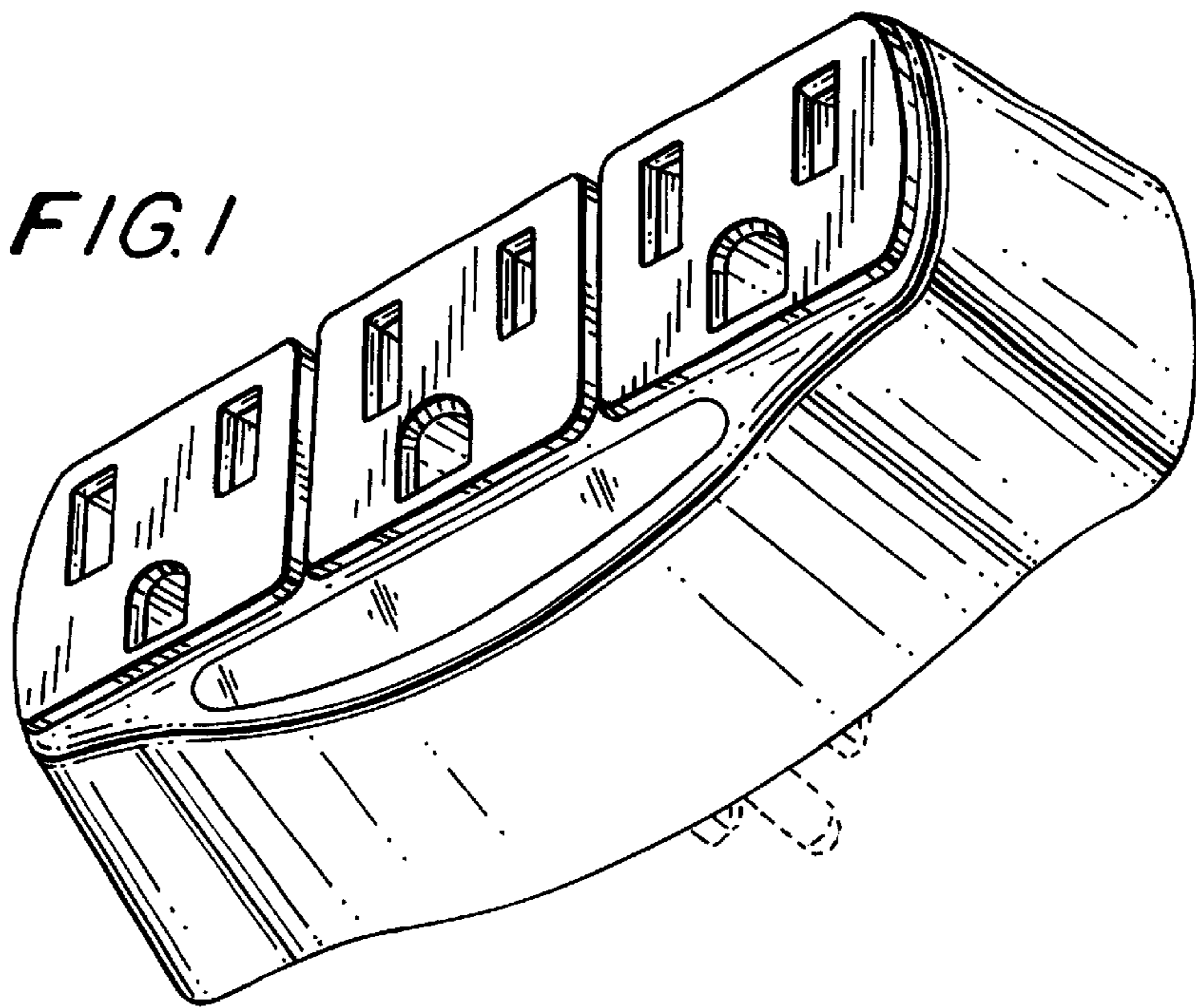
FIG. 6 is a bottom view of my design.

The broken lines shown on the drawings are for illustrative purposes only and form no part of the claimed design.

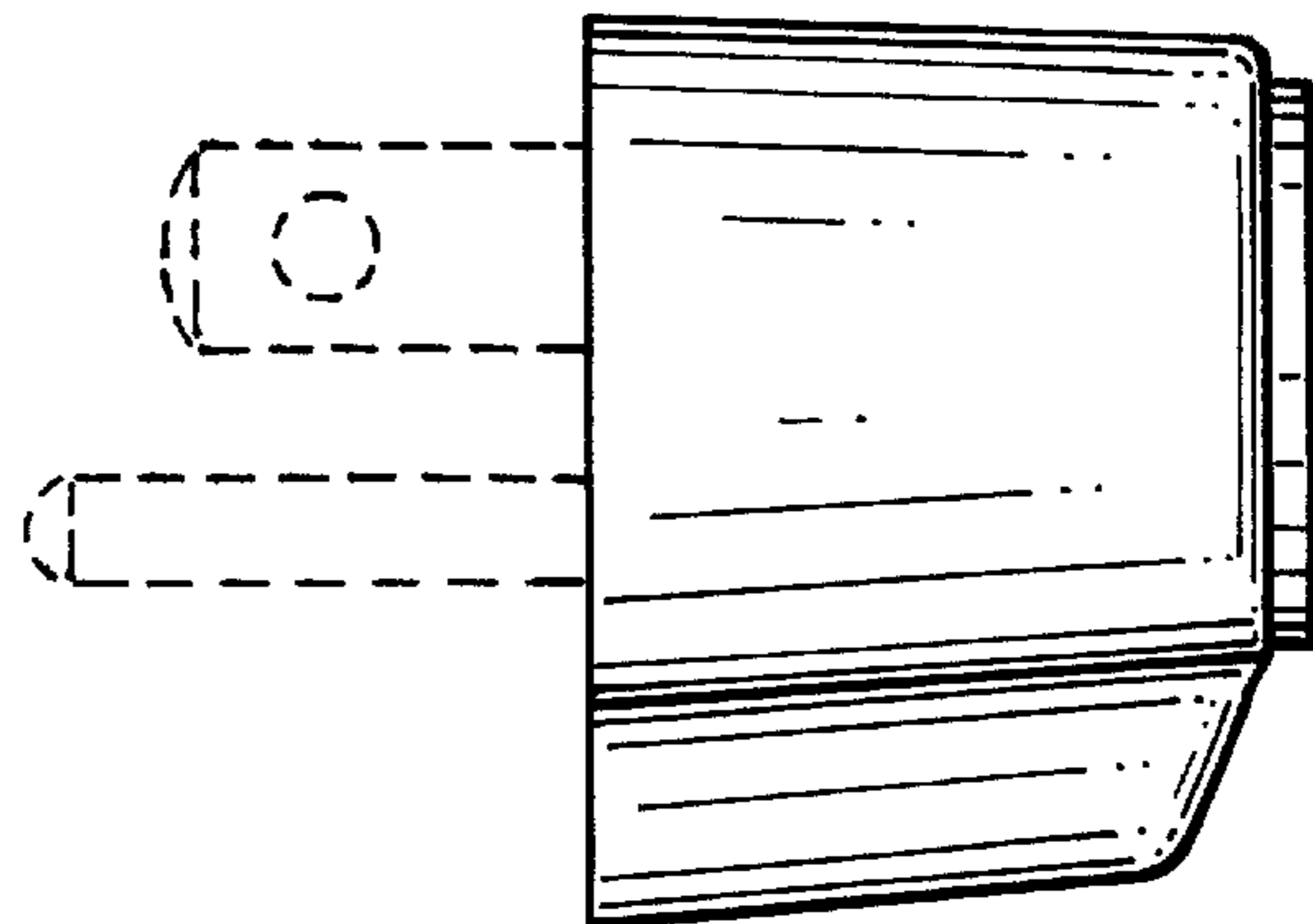
**1 Claim, 2 Drawing Sheets**



*FIG. 1*



*FIG. 3*



*FIG. 2*

