



US00D468840S

(12) **United States Design Patent**
Payne

(10) **Patent No.:** **US D468,840 S**

(45) **Date of Patent:** **** *Jan. 14, 2003**

(54) **PORTABLE SIDEWALK**

(76) Inventor: **Kenneth A. Payne**, P.O. Box 504,
Planterville, MS (US) 38862

(*) Notice: This patent is subject to a terminal disclaimer.

(**) Term: **14 Years**

(21) Appl. No.: **29/143,624**

(22) Filed: **Jun. 15, 2001**

Related U.S. Application Data

(63) Continuation-in-part of application No. 29/129,727, filed on Sep. 20, 2000, now Pat. No. Des. 445,920.

(51) **LOC (7) Cl.** **25-01**

(52) **U.S. Cl.** **D25/113**

(58) **Field of Search** D25/102, 112-118,
D25/164; D21/484-486, 489-491, 500-505;
404/17-21, 32-42; 52/574-579, 596-604,
612

(56) **References Cited**

U.S. PATENT DOCUMENTS

3,802,144 A 4/1974 Spica
4,376,596 A * 3/1983 Green 404/35
4,509,930 A * 4/1985 Schweigert et al. 404/40 X
4,596,731 A 6/1986 Cudmore et al.

4,681,482 A 7/1987 Arciszewski et al.
4,826,351 A 5/1989 Haberhauer et al.
4,917,532 A 4/1990 Haberhauer et al.
5,190,799 A 3/1993 Ellingson
5,288,165 A 2/1994 Dekker
5,527,128 A 6/1996 Rope et al.
D388,647 S 1/1998 Odell
5,833,386 A 11/1998 Rosan et al.

* cited by examiner

Primary Examiner—Louis S. Zarfaz

Assistant Examiner—Robert A. Delehanty

(74) *Attorney, Agent, or Firm*—Lanier Ford Shaver & Payn
P.C.; Gerald M. Walsh

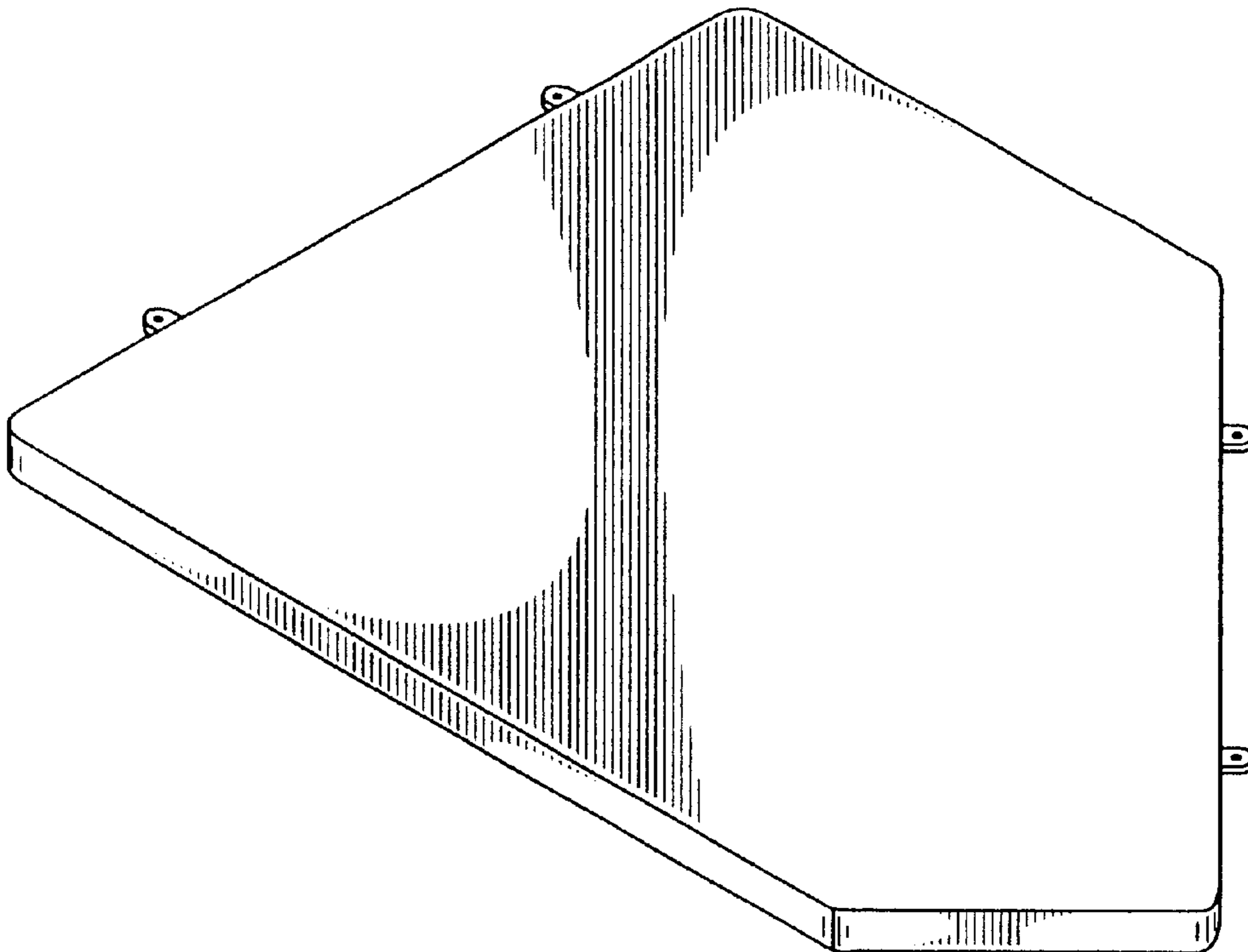
(57) **CLAIM**

I claim the ornamental design for a portable sidewalk, as shown and described.

DESCRIPTION

FIG. 1 is a top front perspective view of the portable sidewalk of the present invention;
FIG. 2 is a bottom perspective view thereof;
FIG. 3 is a front elevation view thereof;
FIG. 4 is a rear elevation view thereof;
FIG. 5 is a left side elevation view thereof;
FIG. 6 is a right side elevation view thereof;
FIG. 7 is a top plan view thereof; and,
FIG. 8 is a bottom plan view thereof.

1 Claim, 2 Drawing Sheets



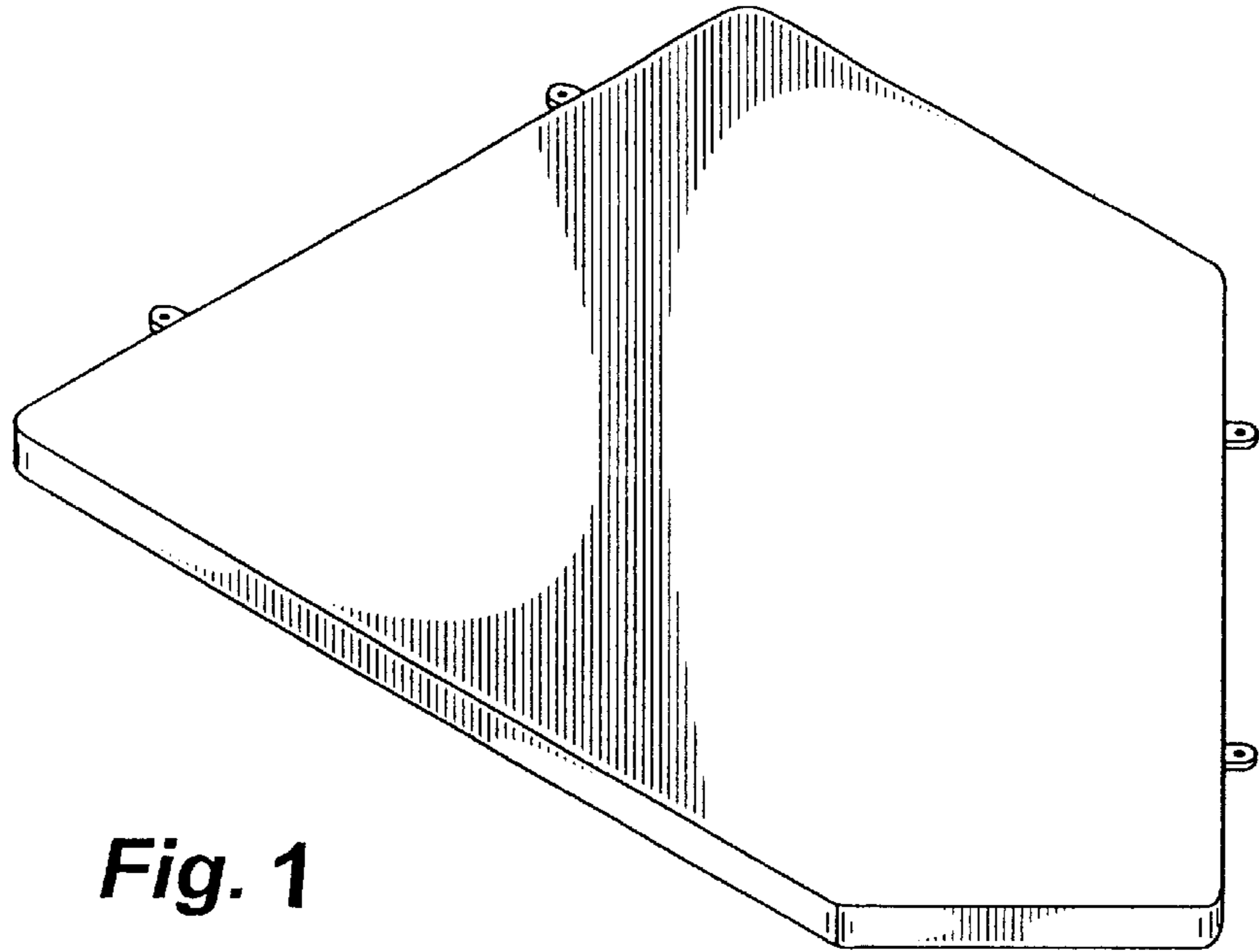


Fig. 1

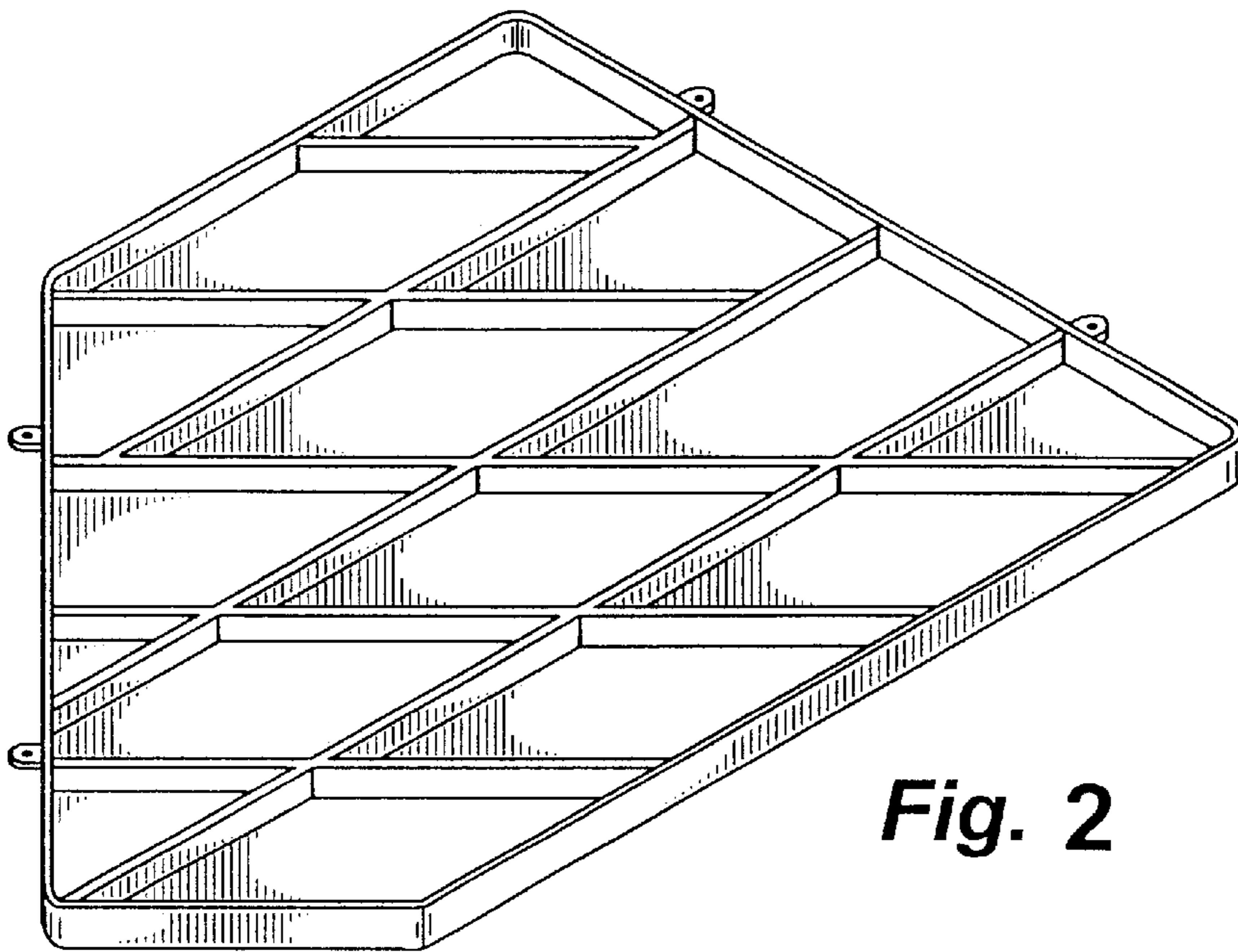


Fig. 2

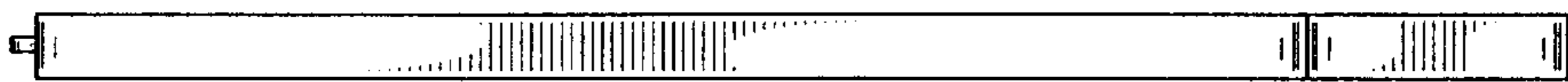


Fig. 3

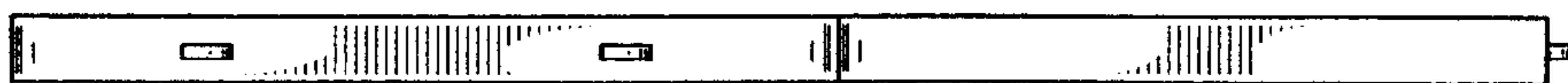


Fig. 4

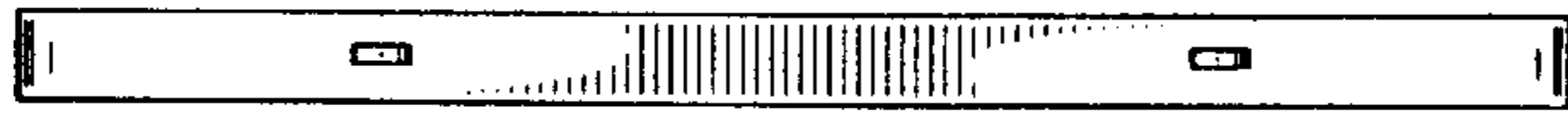


Fig. 5



Fig. 6

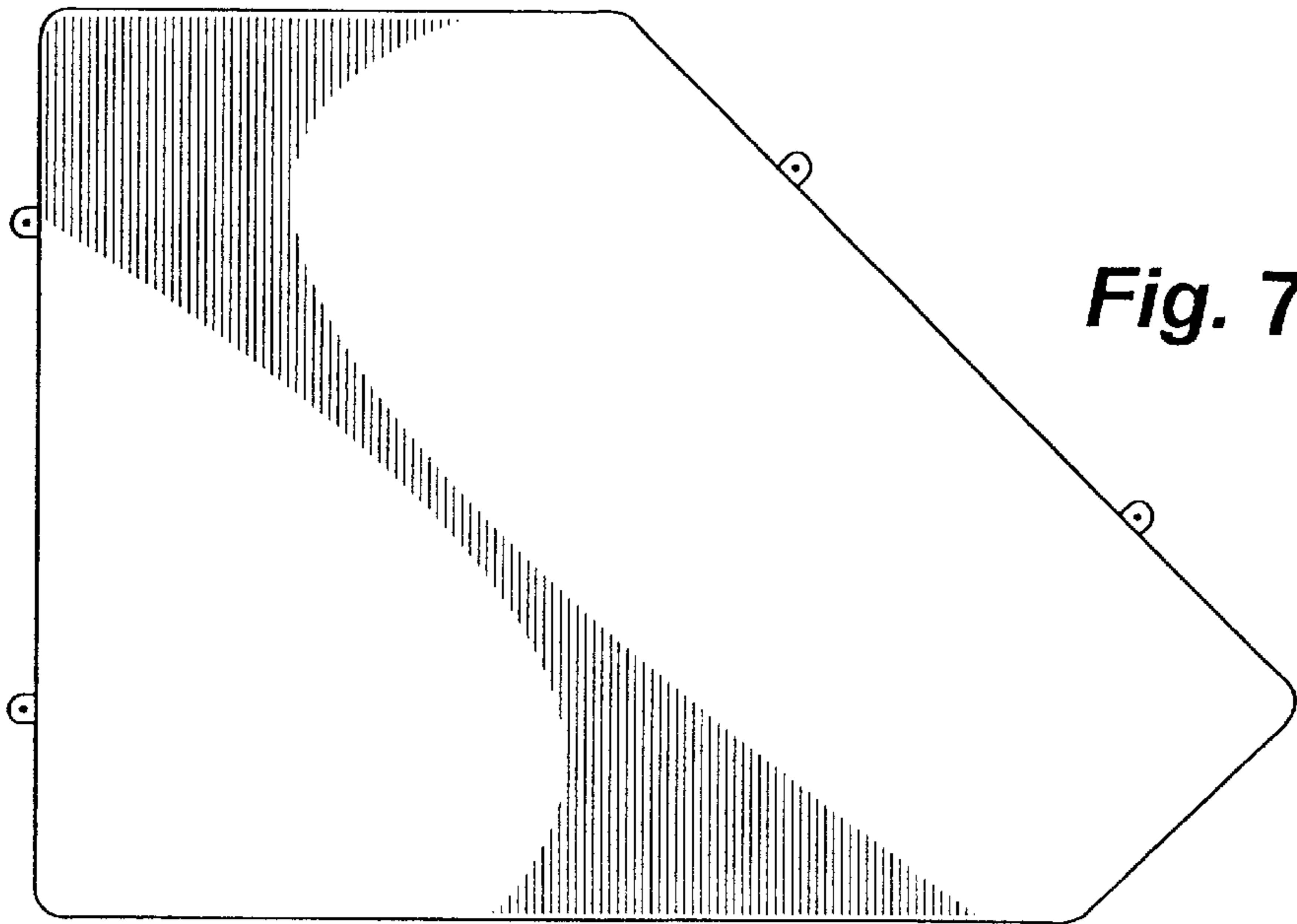


Fig. 7

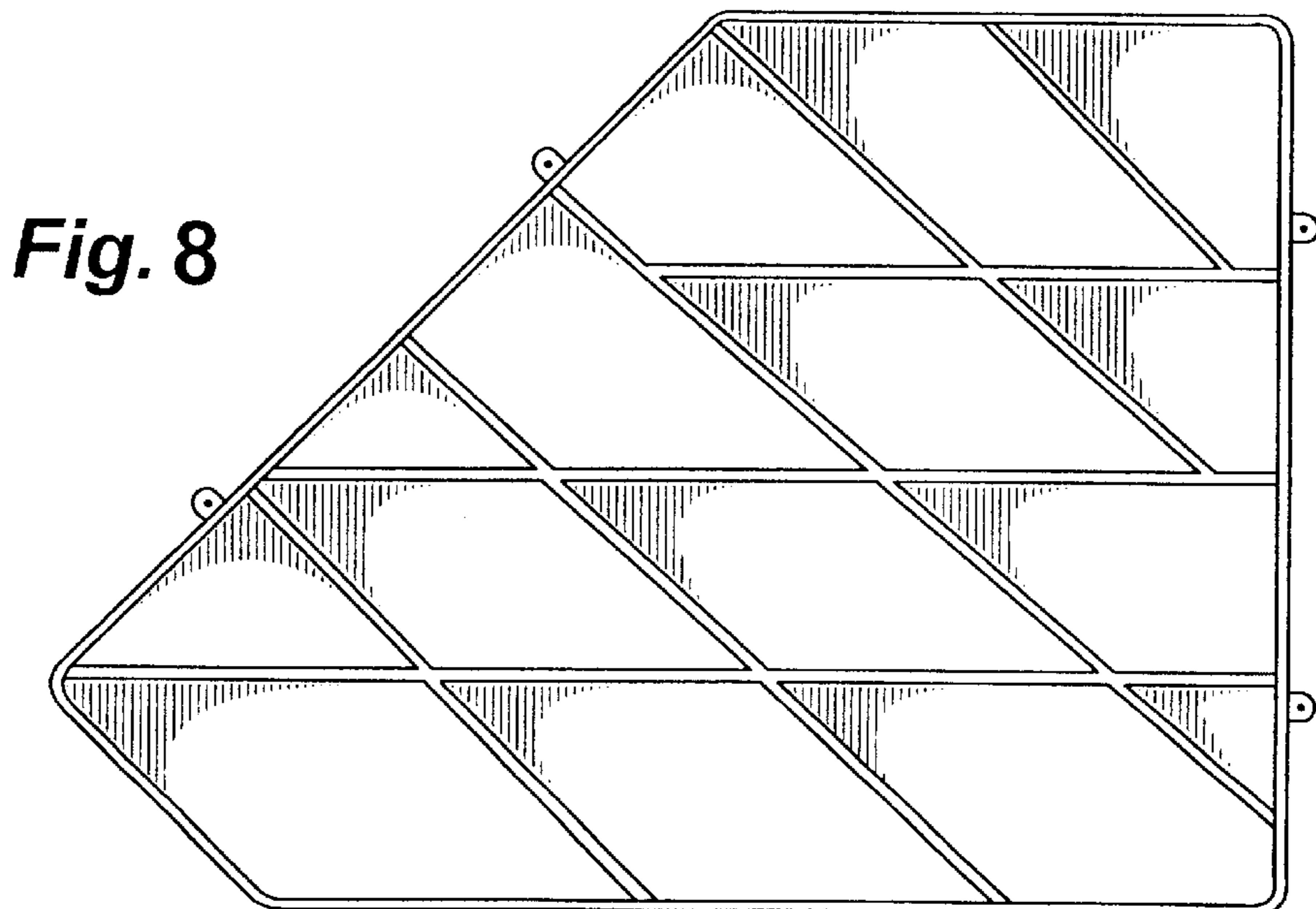


Fig. 8