



US00D468839S

(12) **United States Design Patent**
Bland

(10) **Patent No.:** **US D468,839 S**
(45) **Date of Patent:** **** Jan. 14, 2003**

(54) **SET OF BRICKS**

(75) Inventor: **Albert Arthur Bland**, London (GB)
(73) Assignee: **Springair 2000 Limited**, Douglas (GB)
(**) Term: **14 Years**

(21) Appl. No.: **29/134,513**
(22) Filed: **Dec. 26, 2000**

(30) **Foreign Application Priority Data**

Jun. 27, 2000 (GB) 2093760

(51) **LOC (7) Cl.** **25-01**
(52) **U.S. Cl.** **D25/113**
(58) **Field of Search** D25/102, 112-118,
D25/199; D21/484-486, 499-505; 405/16,
272-273, 284; 404/29-30, 32-35, 37-42;
52/102, 574-582.2, 598-599, 603-612

(56) **References Cited**

U.S. PATENT DOCUMENTS

349,646	A	*	9/1886	Grigg	D25/113	X
1,689,107	A	*	10/1928	Bradley	D25/113	X
3,374,917	A	*	3/1968	Troy	D25/113	X
3,426,122	A	*	2/1969	Gaudelli	D25/113	X
4,031,678	A	*	6/1977	Schuring	D25/118	X
D350,824	S	*	9/1994	Perrin, Jr.	D25/113	
D387,431	S	*	12/1997	Tremblay	D25/113	

* cited by examiner

Primary Examiner—Stella Reid
(74) *Attorney, Agent, or Firm*—Clark & Brody

(57) **CLAIM**

The ornamental design for a set of bricks, as shown and described.

DESCRIPTION

FIG. 1 is a rear elevation view of a first brick of a set of bricks in accordance with my invention.
FIG. 2 is a front elevation thereof;

FIG. 3 is a top plan view thereof.
FIG. 4 is a bottom plan view thereof.
FIG. 5 is a left side elevation view thereof.
FIG. 6 is a right side elevation view thereof.
FIG. 7 is a perspective view thereof from the upper right.
FIG. 8 is a perspective view thereof of the bottom left.
FIG. 9 is a perspective view thereof from the upper left.
FIG. 10 is a longitudinal cross section thereof taken along line 10—10 of FIG. 3.
FIG. 11 is a transverse cross section thereof taken along line 11—11 of FIG. 3.
FIG. 12 is a rear elevation view of a second brick of a set of bricks in accordance with my invention.
FIG. 13 is a front elevation thereof.
FIG. 14 is a top plan view thereof.
FIG. 15 is a bottom plan view thereof.
FIG. 16 is a left side elevation view thereof.
FIG. 17 is a right side elevation view thereof.
FIG. 18 is a perspective view thereof from the upper, right rear.
FIG. 19 is a perspective view thereof of the bottom, front left.
FIG. 20 is a perspective view thereof from the upper left.
FIG. 21 is a longitudinal cross section thereof taken along line 21—21 of FIG. 14.
FIG. 22 is a transverse cross section thereof taken along line 22—22 of FIG. 14.
FIG. 23 is a transverse cross section thereof taken along line 23—23 of FIG. 14.
FIG. 24 is a rear elevation view of a third brick of a set of bricks in accordance with my invention.
FIG. 25 is a front elevation thereof.
FIG. 26 is a top plan view thereof.
FIG. 27 is a bottom plan view thereof.
FIG. 28 is a left side elevation view thereof.
FIG. 29 is a right side elevation view thereof.
FIG. 30 is a perspective view thereof from the upper, right rear.
FIG. 31 is a perspective view thereof of the bottom, front left.
FIG. 32 is a perspective view thereof from the upper, left.
FIG. 33 is a longitudinal cross section thereof taken along line 33—33 of FIG. 26.

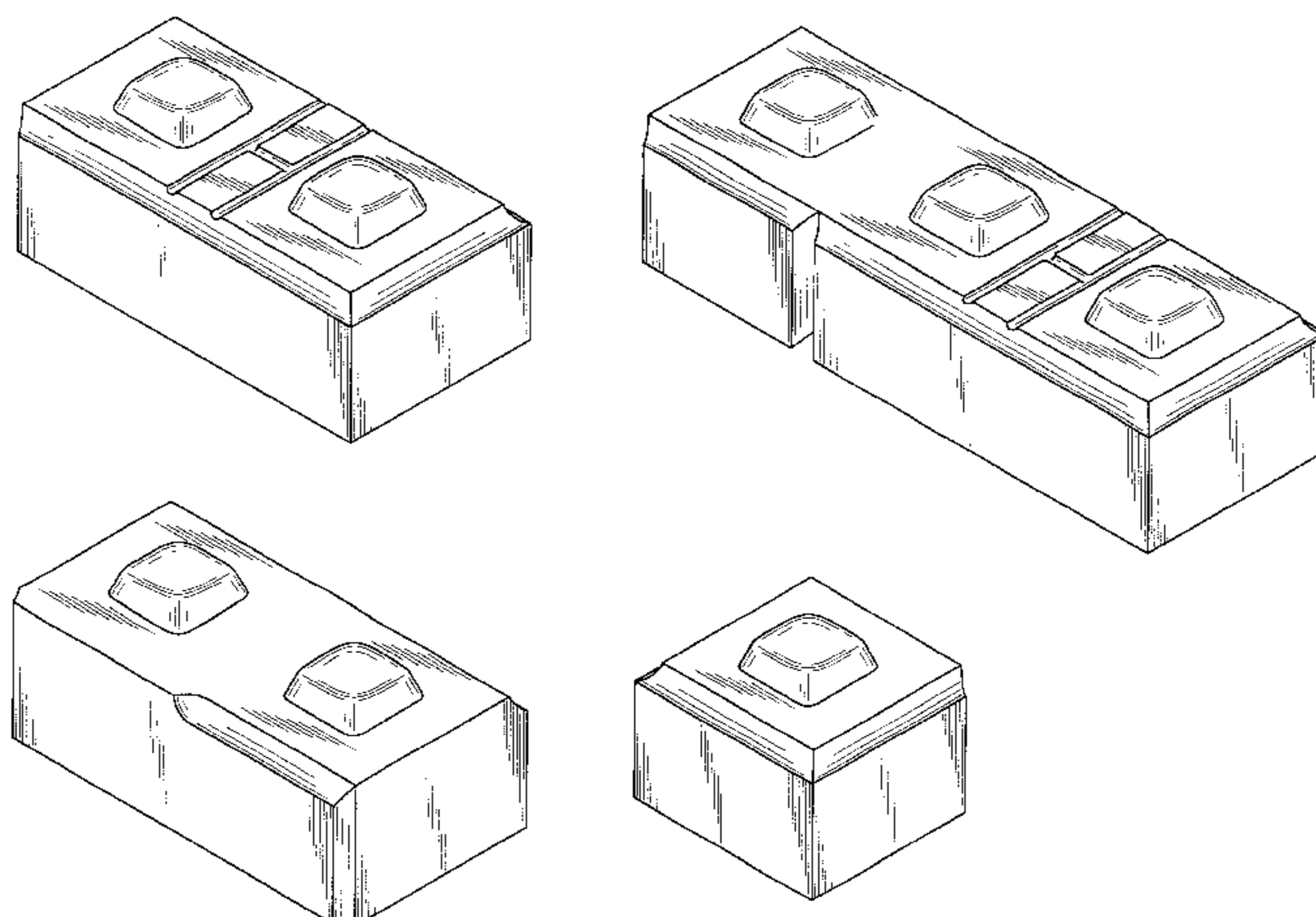


FIG. 34 is a transverse cross section thereof taken along line 34—34 of FIG. 26.

FIG. 35 is a transverse cross section thereof taken along line 35—35 of FIG. 26.

FIG. 36 is a rear elevation view of a fourth brick of a set of bricks in accordance with my invention.

FIG. 37 is a front elevation thereof.

FIG. 38 is a top plan view thereof.

FIG. 39 is a bottom plan view thereof.

FIG. 40 is a left side elevation view thereof.

FIG. 41 is a right side elevation view thereof.

FIG. 42 is a perspective view thereof from the upper, right rear.

FIG. 43 is a perspective view thereof of the bottom, front left.

FIG. 44 is a perspective view thereof from the upper left.

FIG. 45 is a longitudinal cross section thereof taken along line 45—45 of FIG. 38.

FIG. 46 is a transverse cross section thereof taken along line 46—46 of FIG. 38.

FIG. 47 is a transverse cross section thereof taken along line 47—47 of FIG. 38.

FIG. 48 is a rear elevation view of a fifth brick of a set of bricks in accordance with my invention.

FIG. 49 is a front elevation thereof.

FIG. 50 is a top plan view thereof.

FIG. 51 is a bottom plan view thereof.

FIG. 52 is a left side elevation view thereof.

FIG. 53 is a right side elevation view thereof.

FIG. 54 is a perspective view thereof from the upper, front right.

FIG. 55 is a perspective view thereof of the bottom, front right.

FIG. 56 is a longitudinal cross section thereof taken along line 56—56 of FIG. 48.

FIG. 57 is a transverse cross section thereof taken along line 57—57 of FIG. 48.

FIG. 58 is a rear elevation view of a sixth brick of a set of bricks in accordance with my invention.

FIG. 59 is a front elevation thereof.

FIG. 60 is a top plan view thereof.

FIG. 61 is a bottom plan view thereof.

FIG. 62 is a left side elevation view thereof.

FIG. 63 is a right side elevation view thereof.

FIG. 64 is a perspective view thereof from the upper, right rear.

FIG. 65 is a perspective view thereof of the bottom, front left.

FIG. 66 is a perspective view thereof from the upper left.

FIG. 67 is a longitudinal cross section thereof taken along line 67—67 of FIG. 60.

FIG. 68 is a transverse cross section thereof taken along line 68—68 of FIG. 60.

FIG. 69 is a transverse cross section thereof taken along line 69—69 of FIG. 60.

FIG. 70 is a rear elevation view of a seventh brick of a set of bricks in accordance with my invention.

FIG. 71 is a front elevation thereof.

FIG. 72 is a top plan view thereof.

FIG. 73 is a bottom plan view thereof.

FIG. 74 is a left side elevation view thereof.

FIG. 75 is a perspective view thereof from the upper, left front.

FIG. 76 is a perspective view thereof of the bottom, front left.

FIG. 77 is a perspective view thereof from the upper, right front.

FIG. 78 is a transverse cross section thereof taken along line 78—78 of FIG. 72.

FIG. 79 is a longitudinal cross section thereof taken along line 79—79 of FIG. 72; and,

FIG. 80 is a cross-sectional view thereof taken along line 80—80 of FIG. 72.

1 Claim, 35 Drawing Sheets

FIG. 1

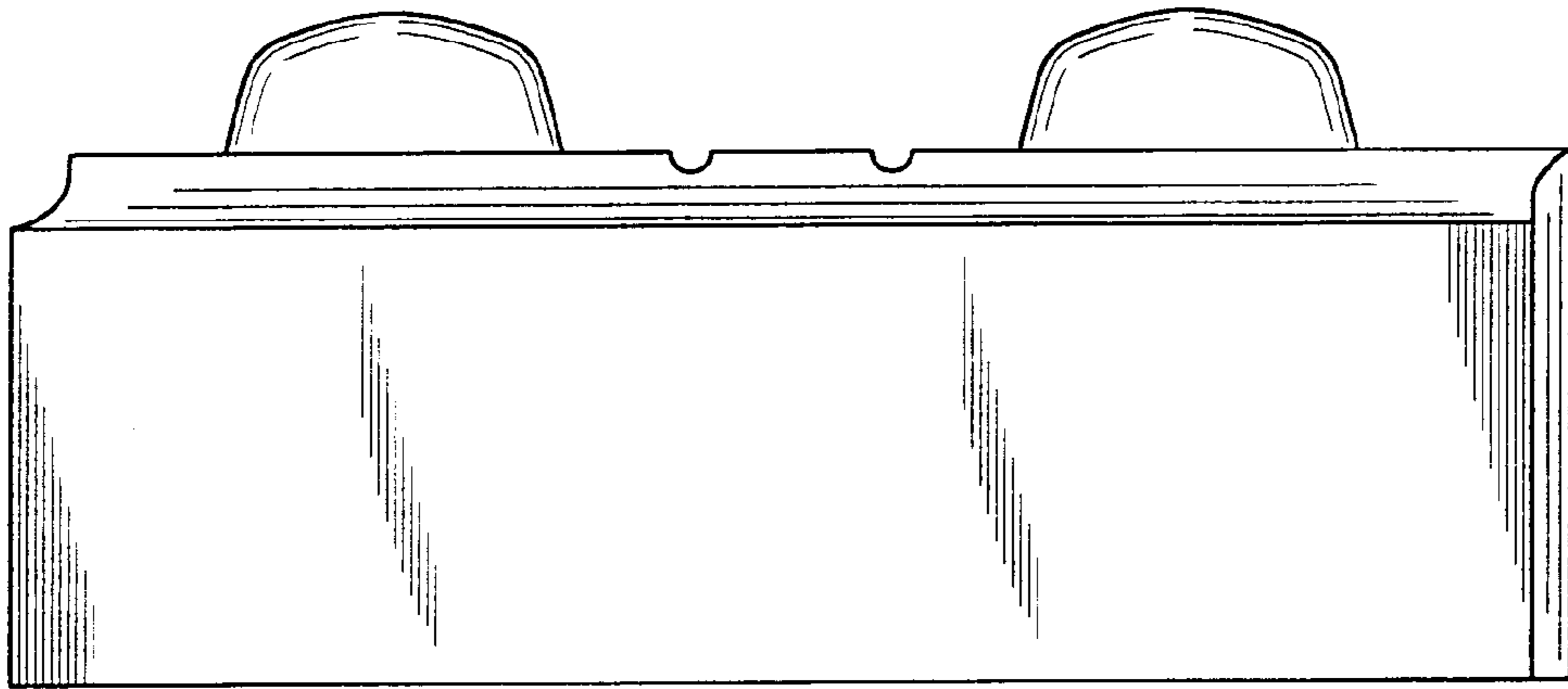


FIG. 2

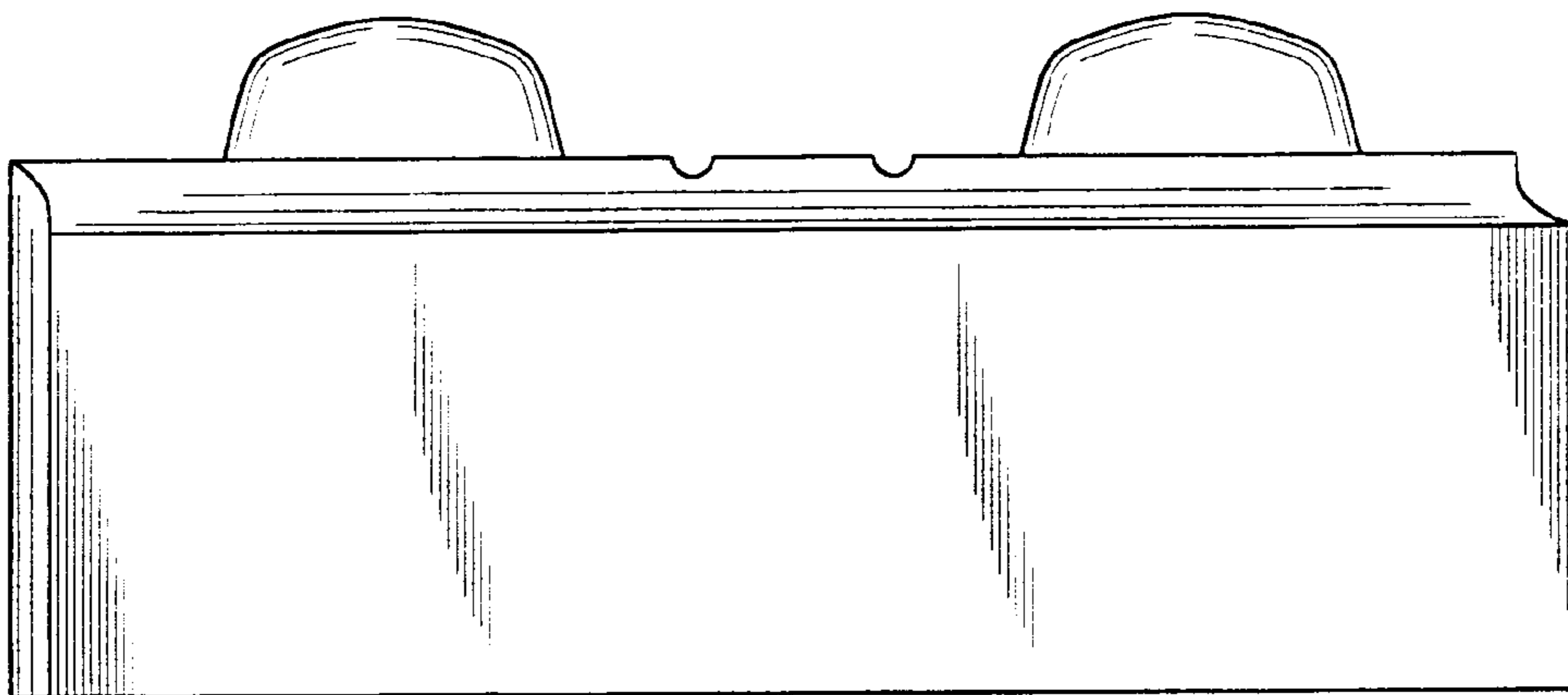


FIG. 3

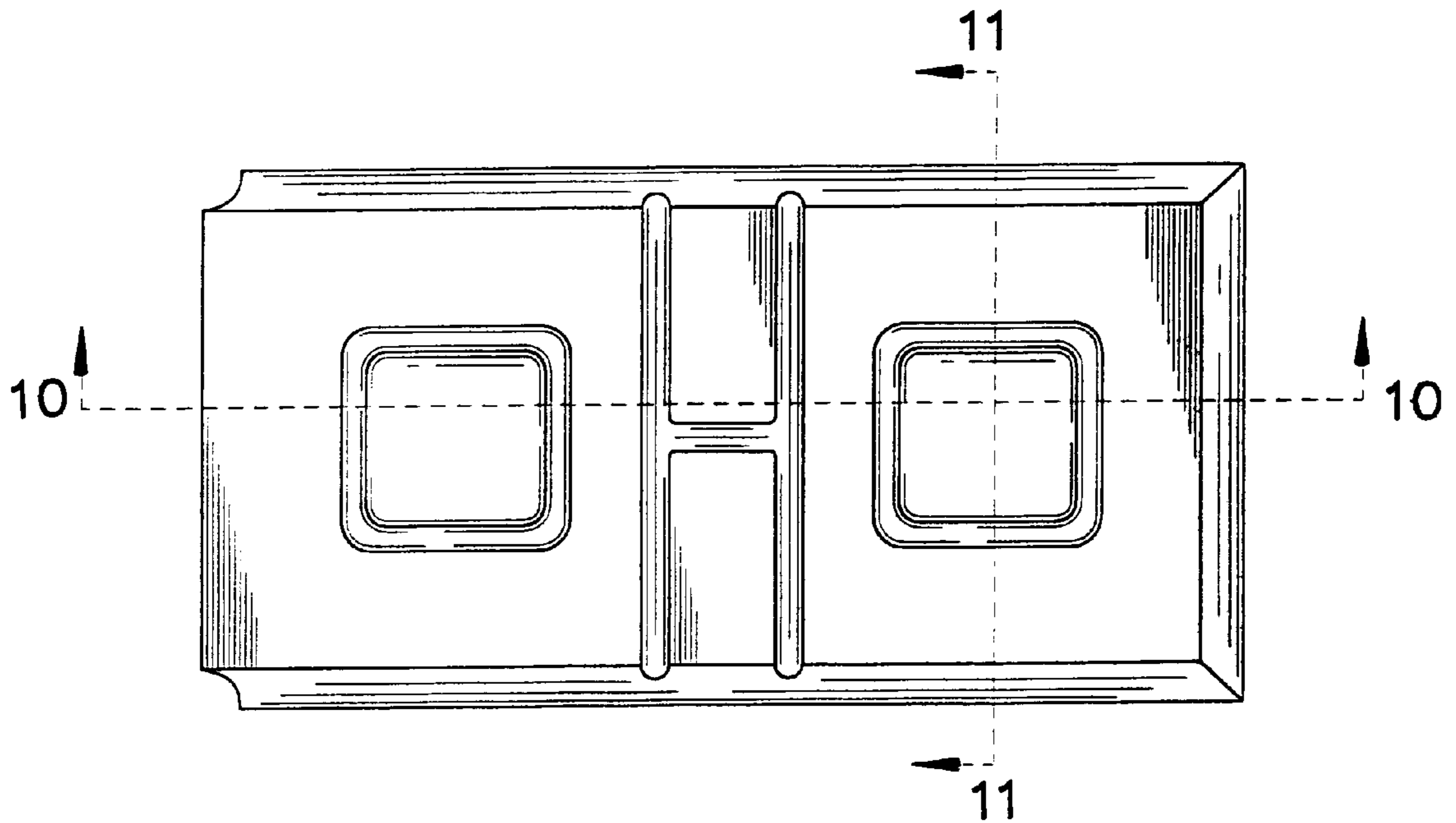


FIG. 4

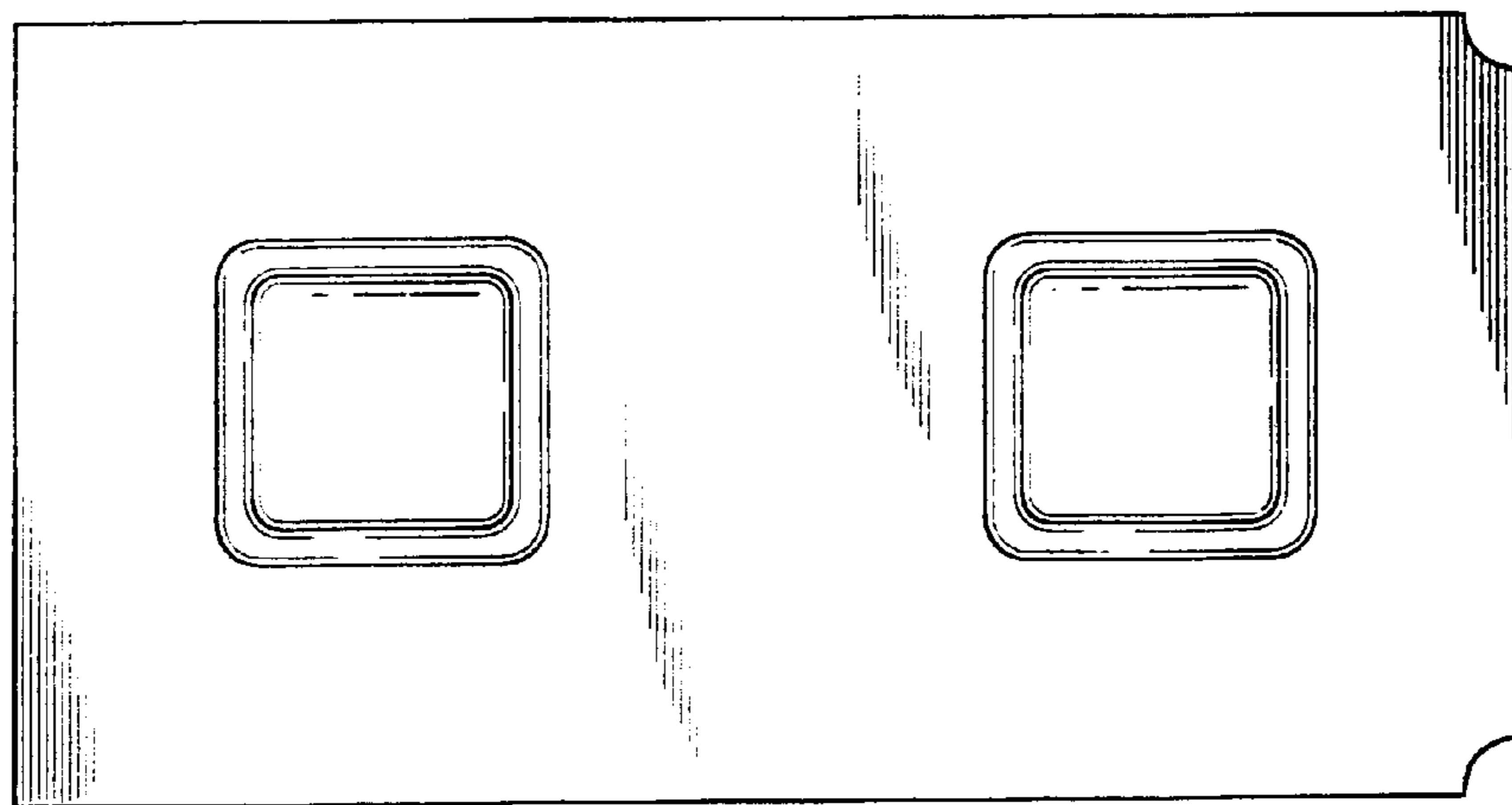


FIG. 5

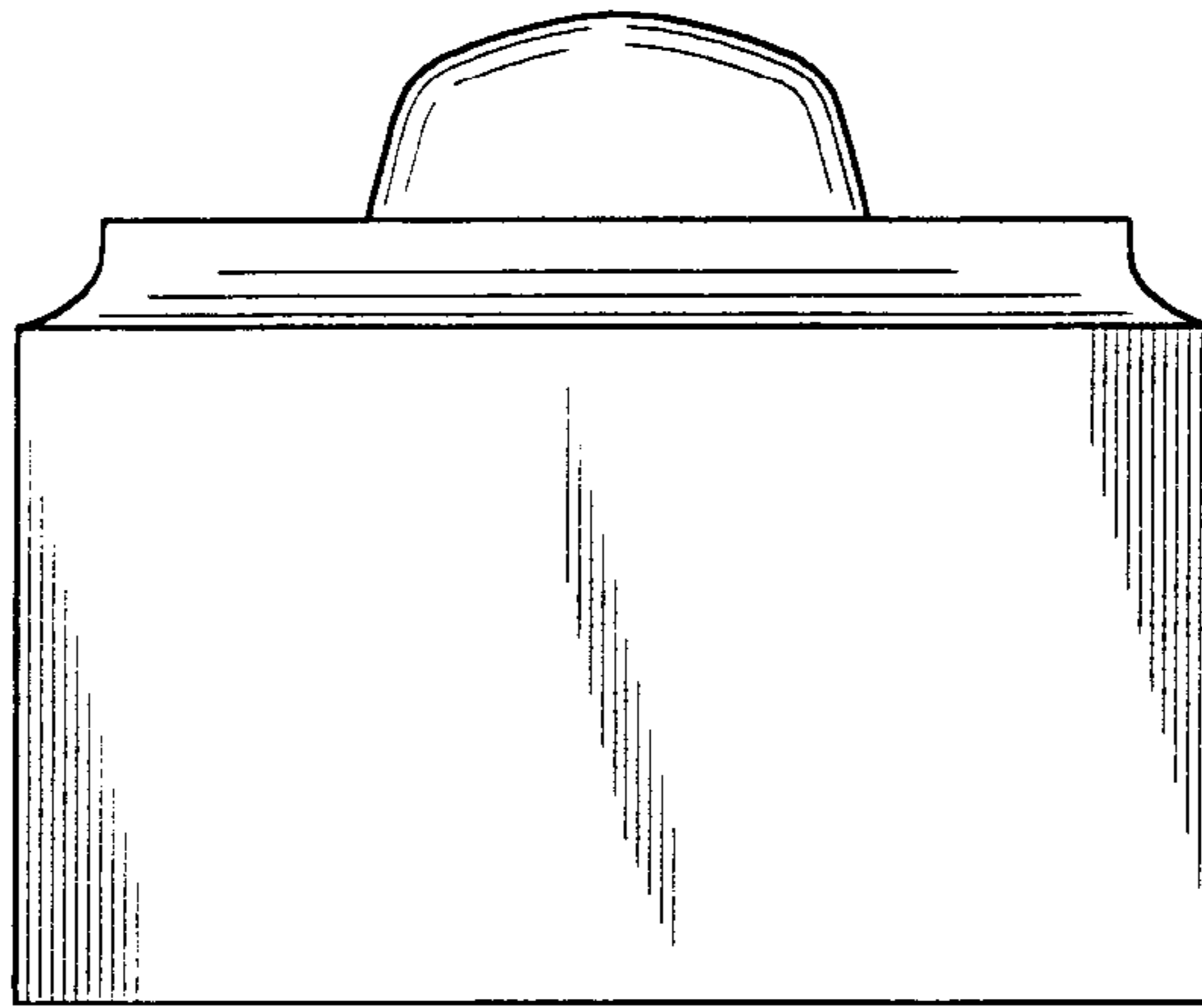


FIG. 6

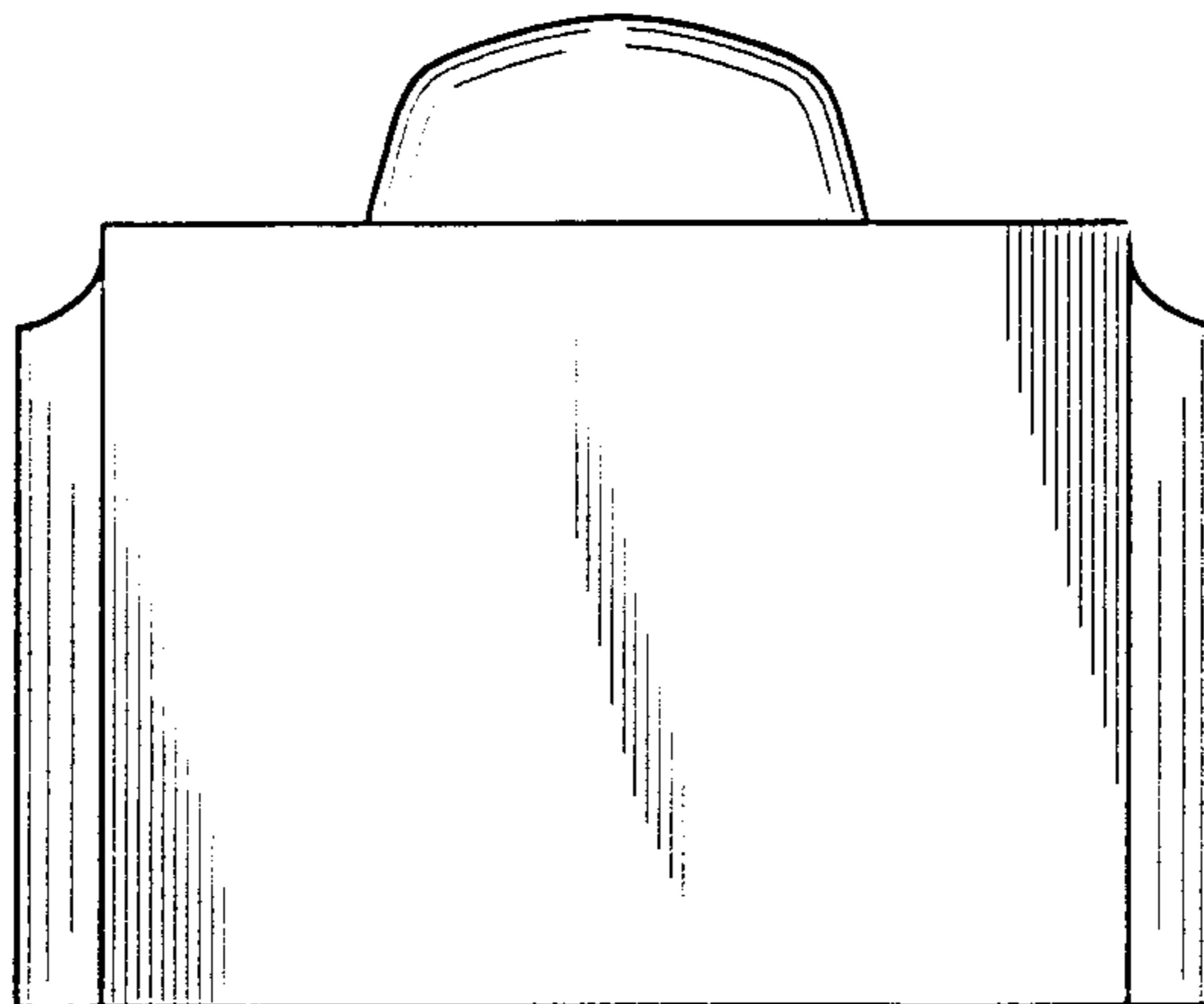


FIG. 7

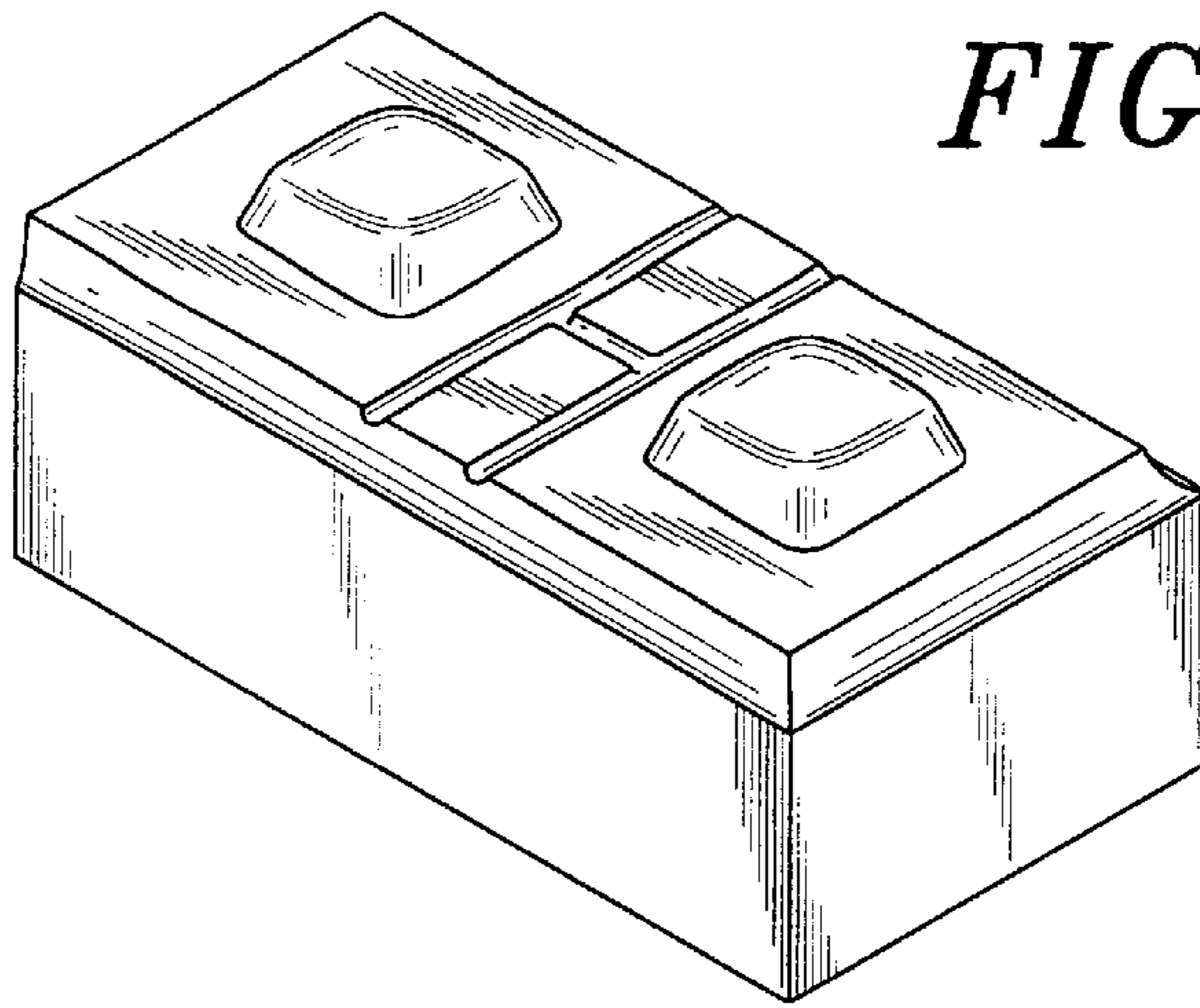


FIG. 8

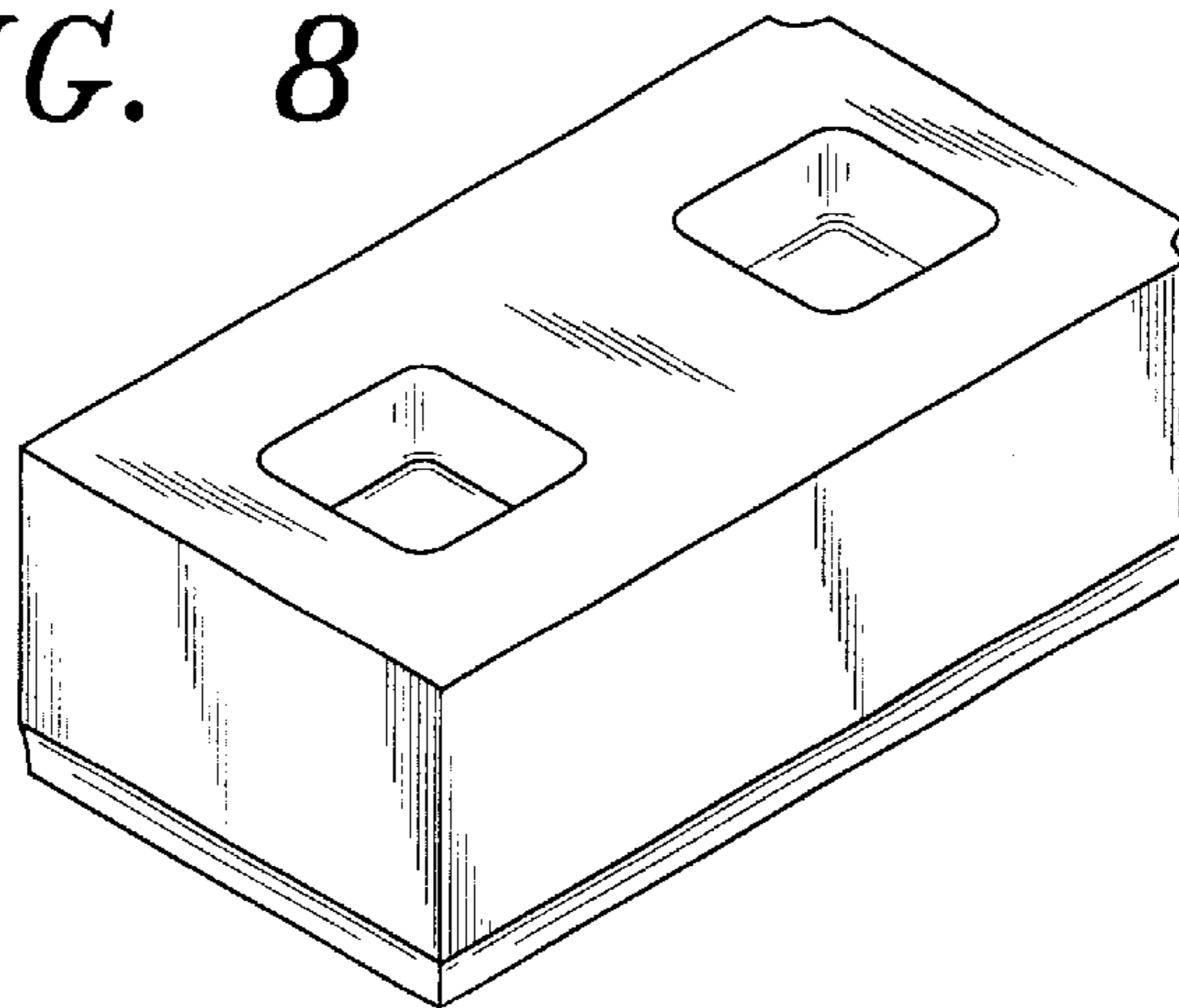


FIG. 9

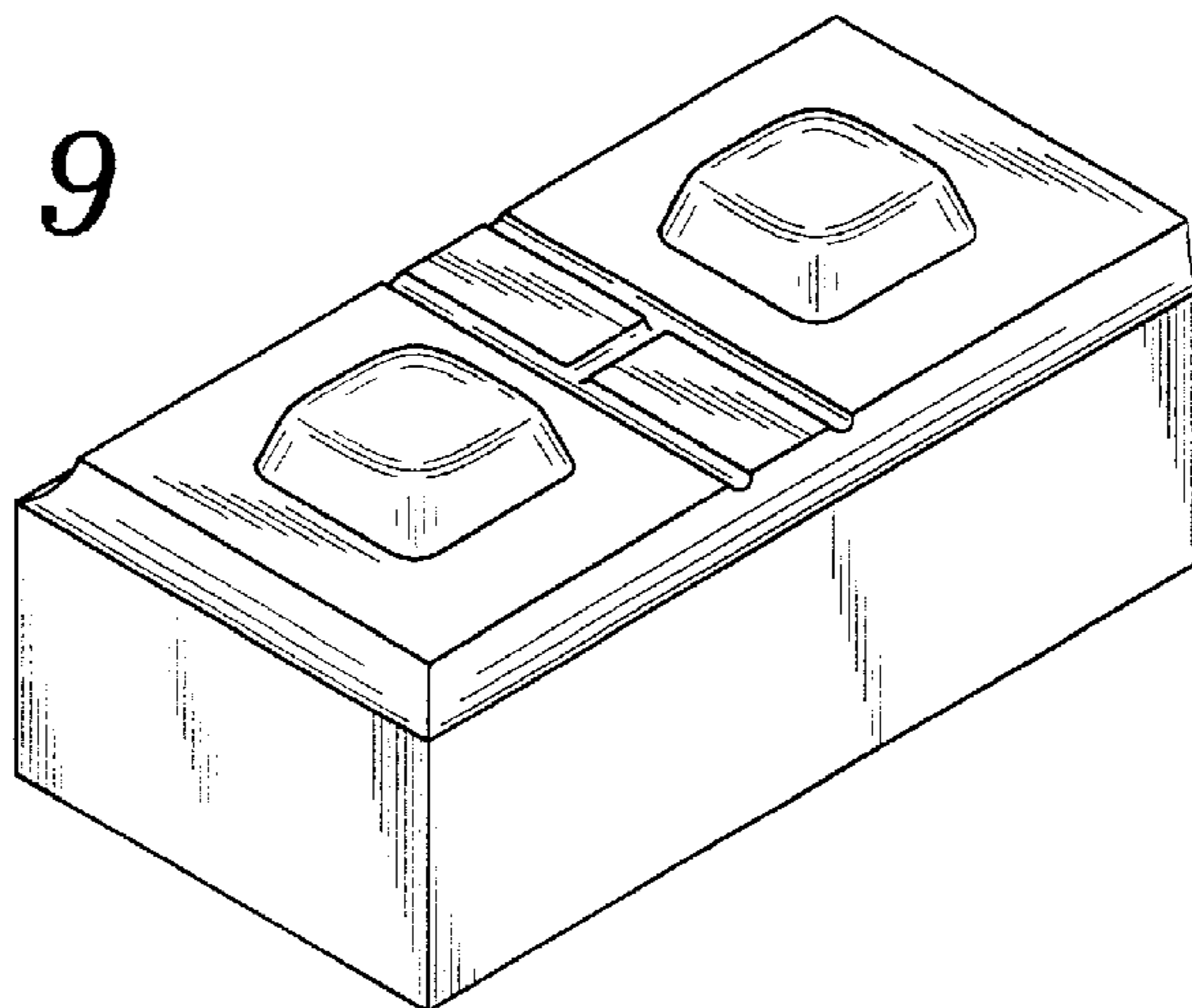


FIG. 10

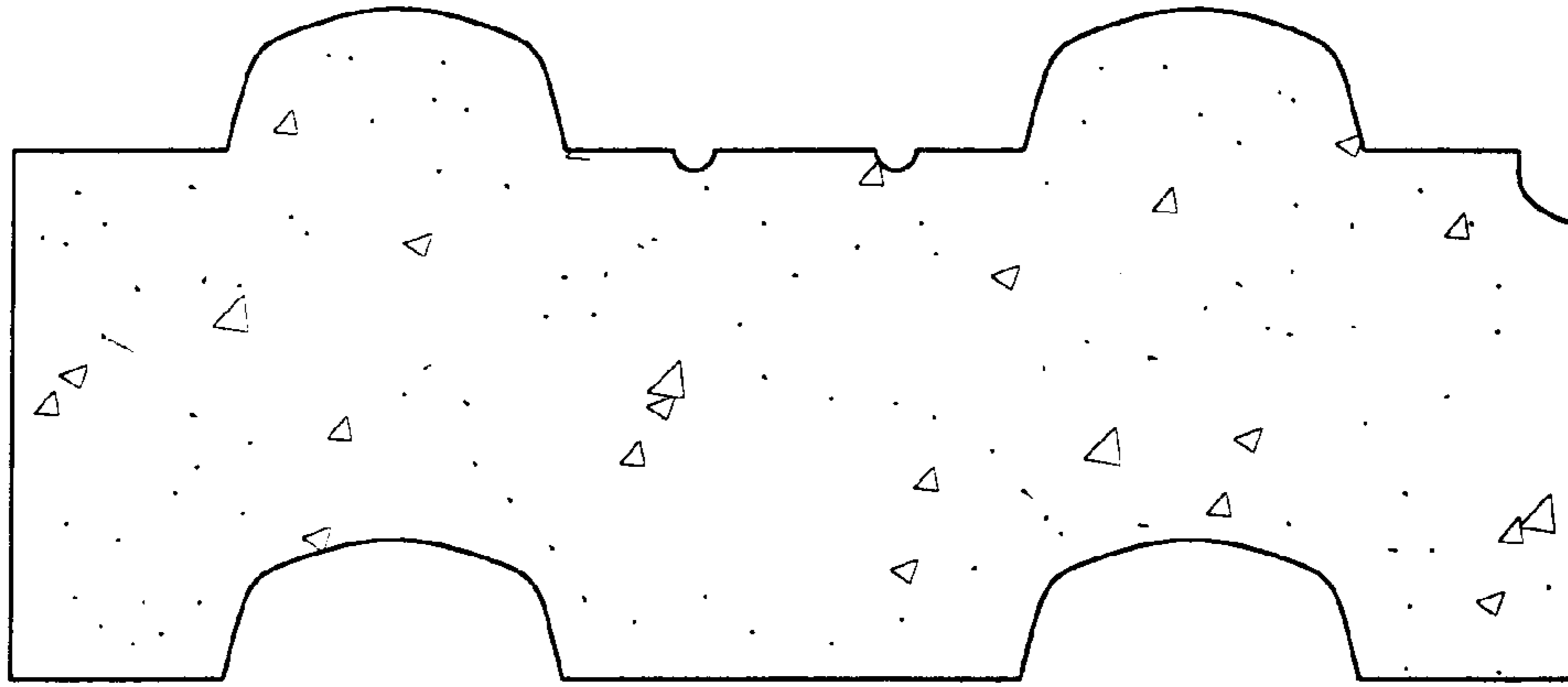


FIG. 11

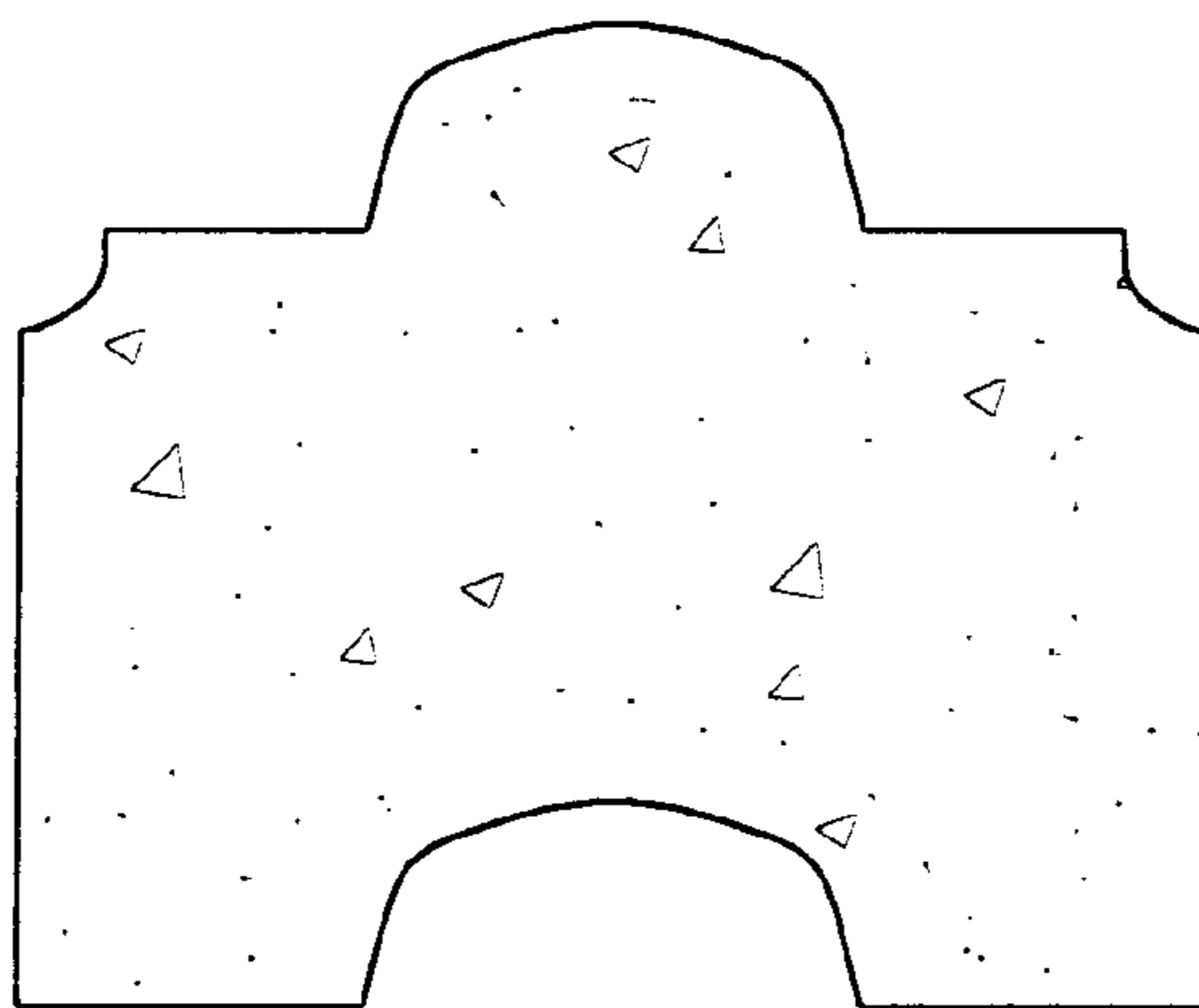


FIG. 12

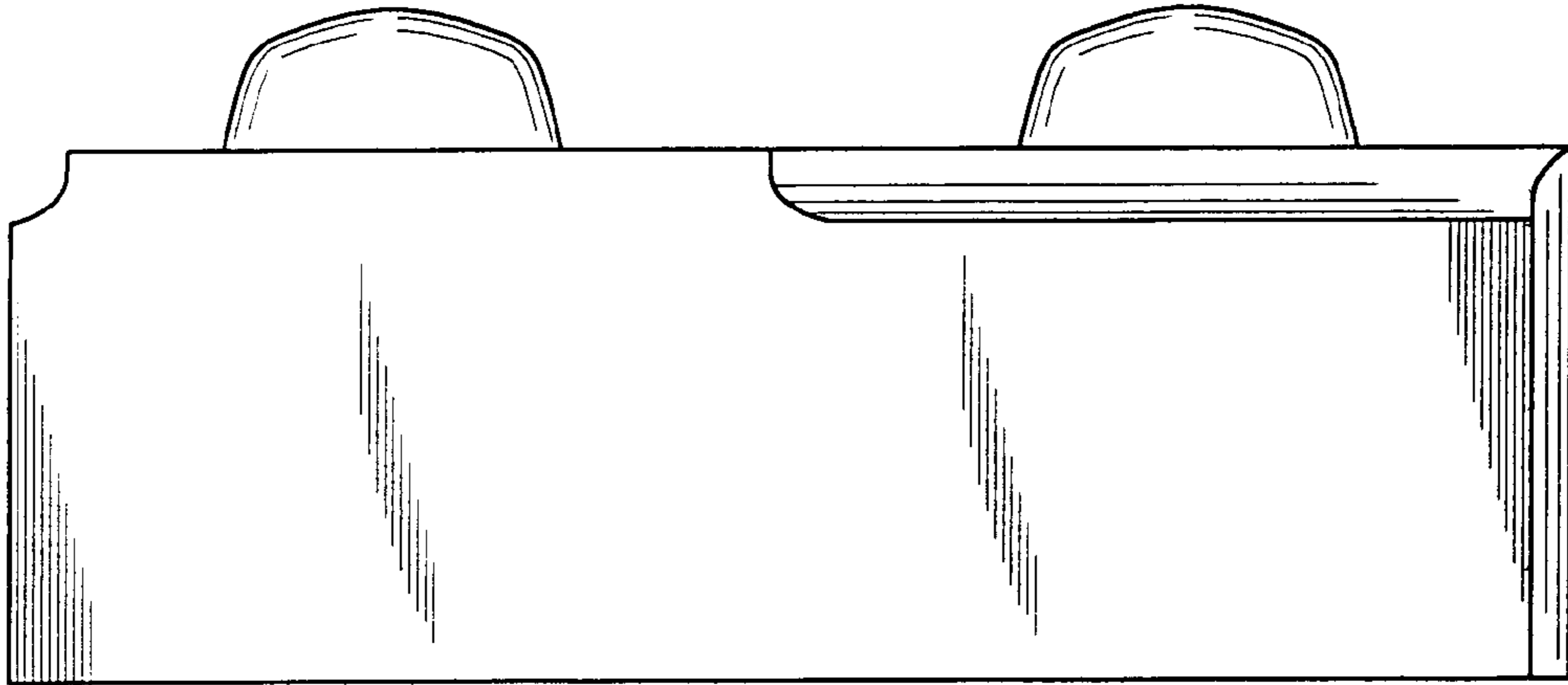


FIG. 13

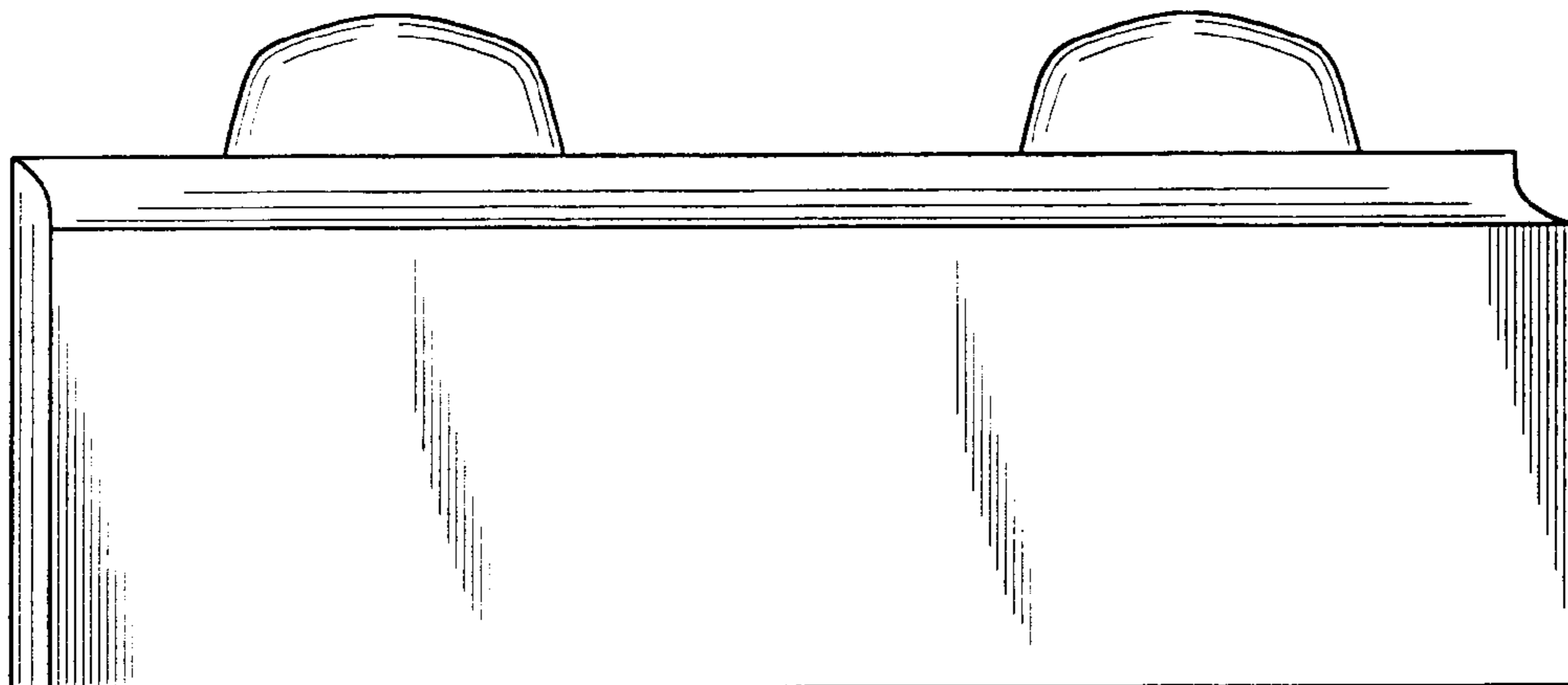


FIG. 14

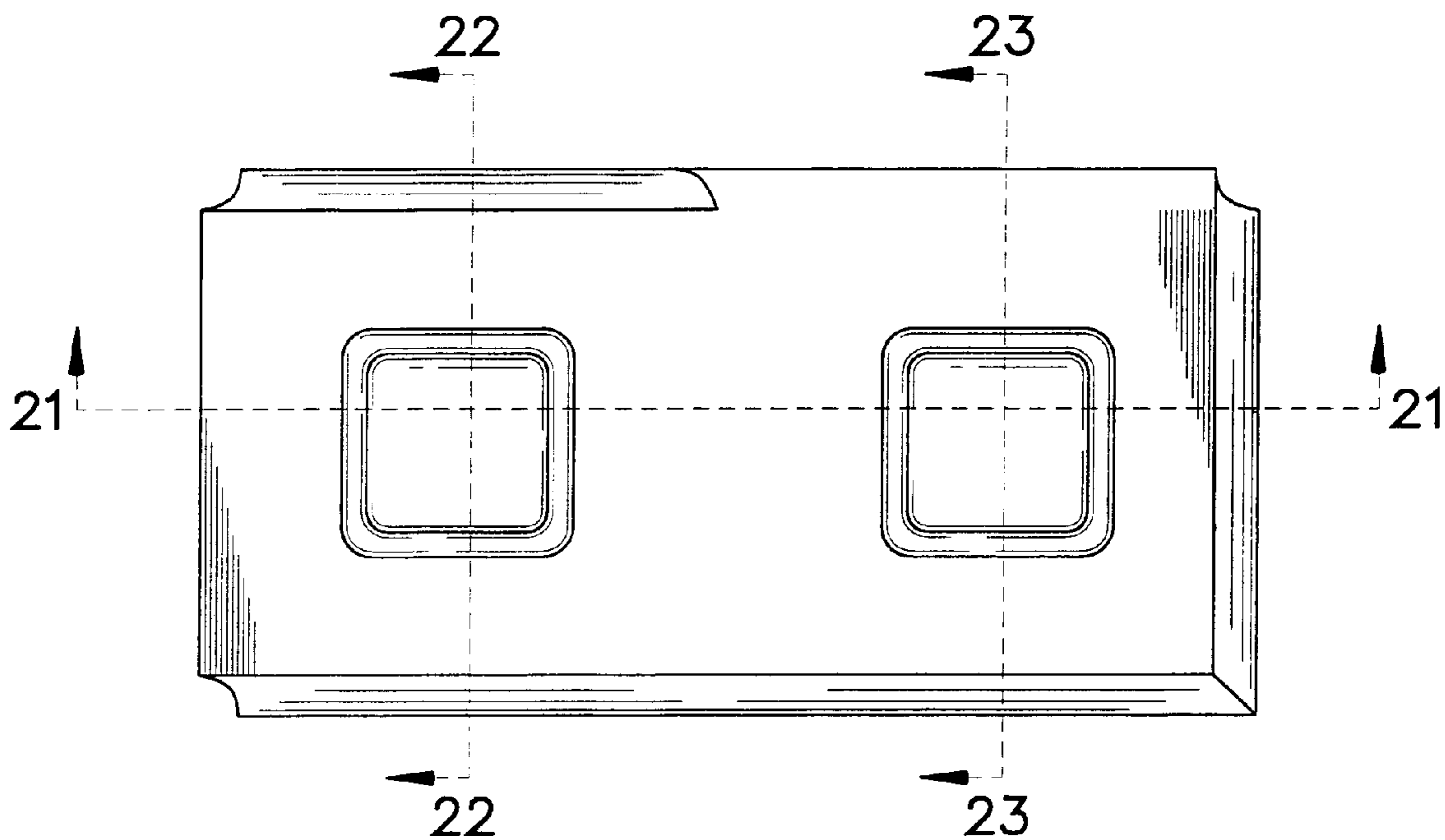


FIG. 15

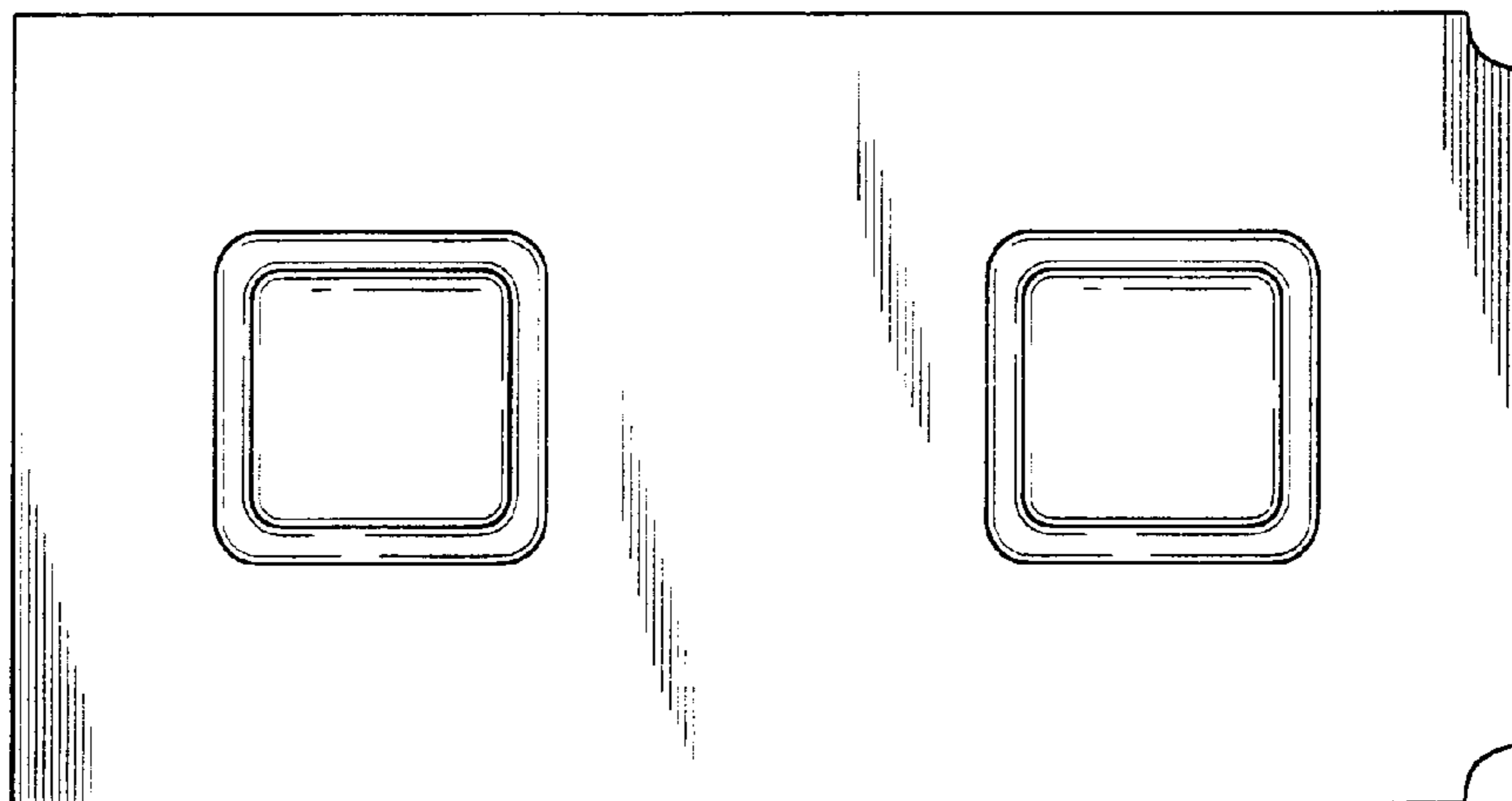


FIG. 16

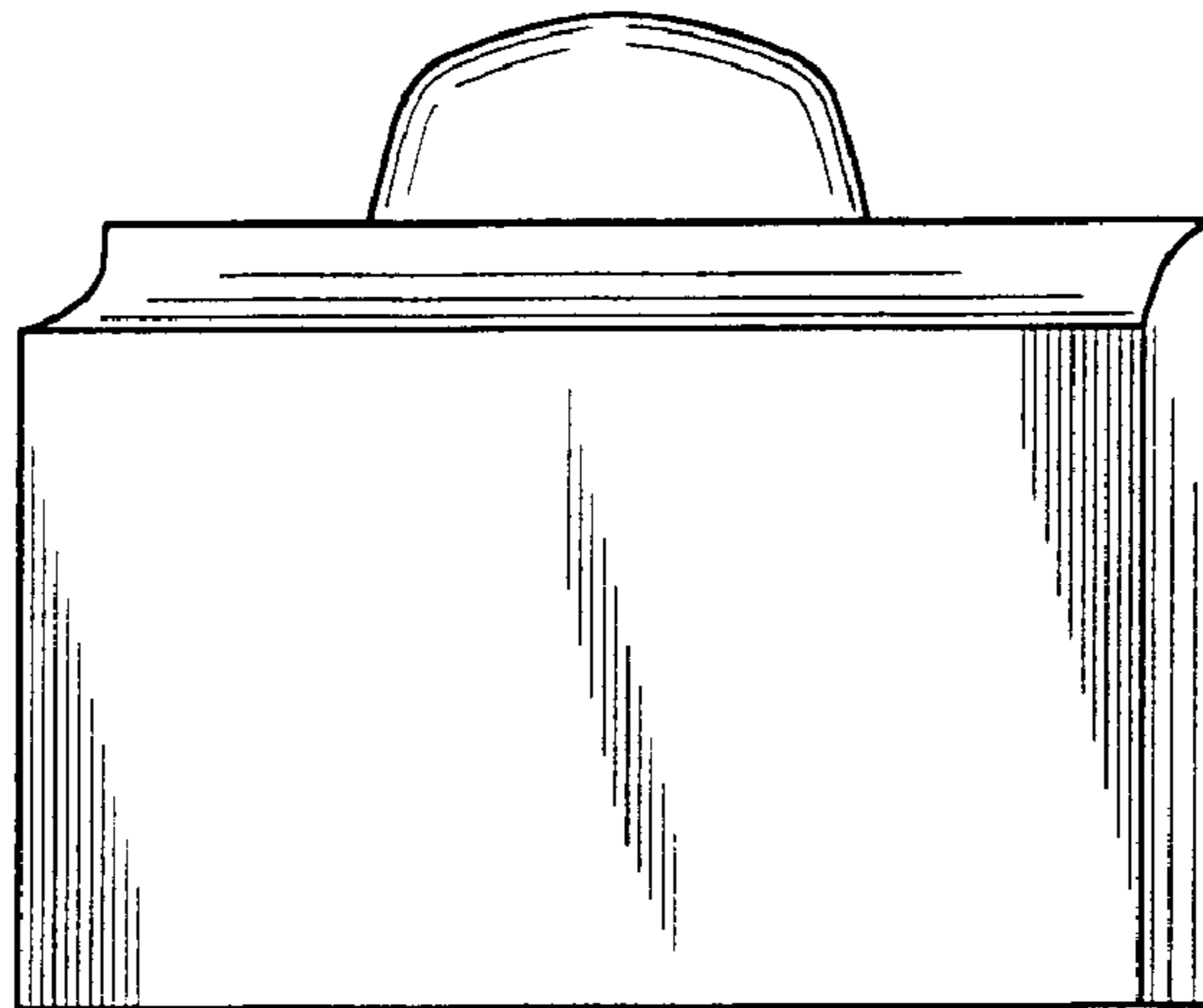
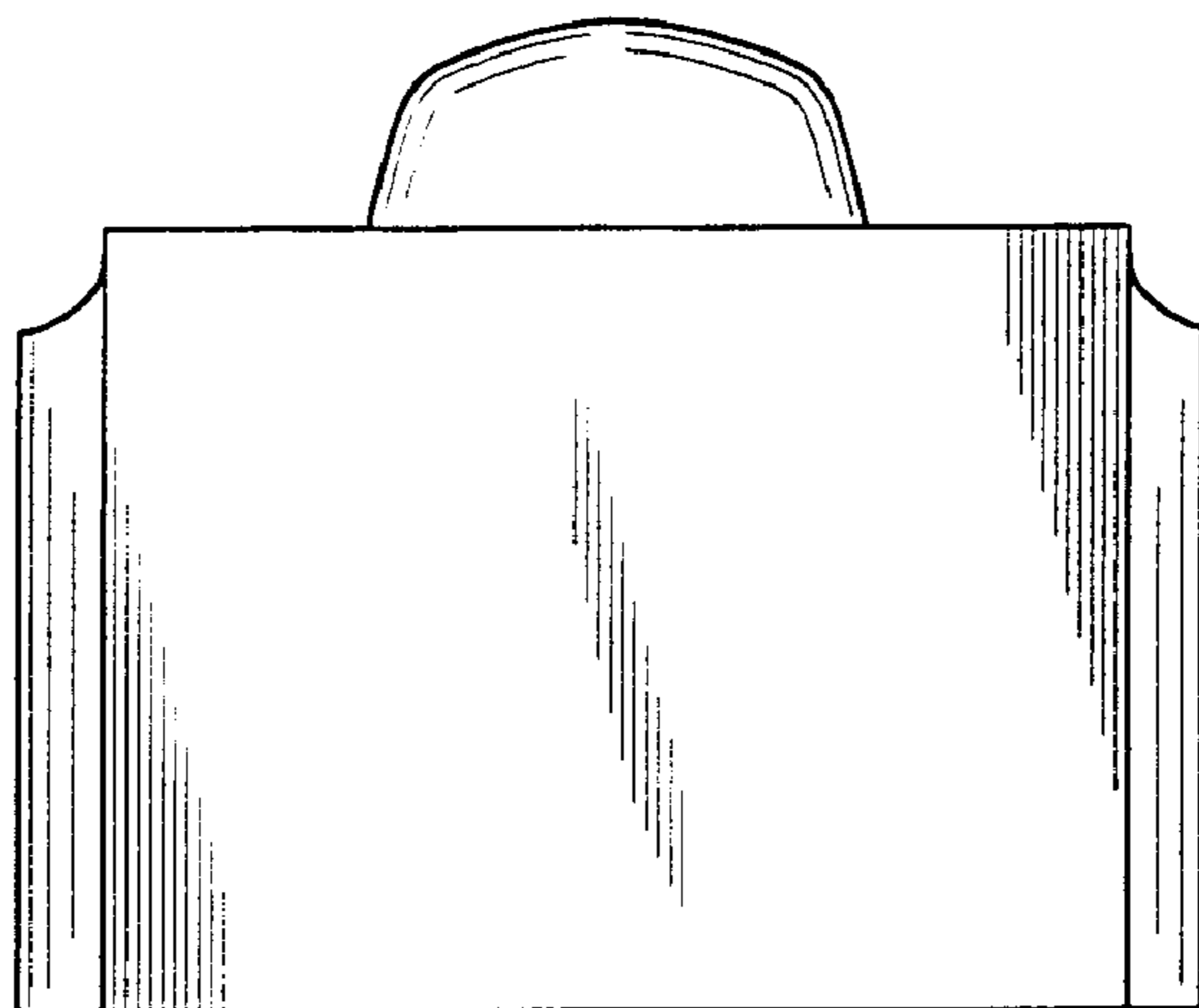


FIG. 17



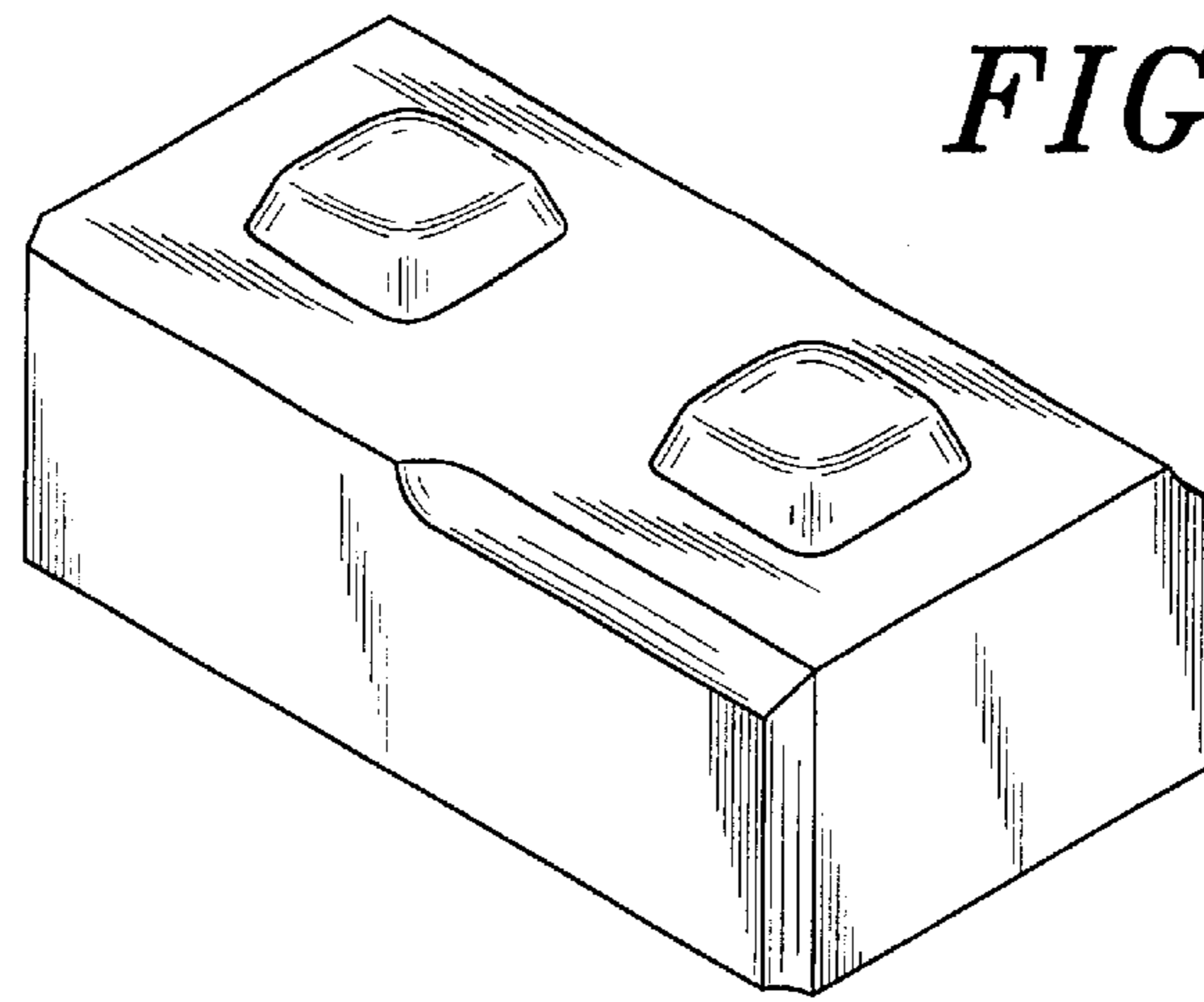


FIG. 18

FIG. 19

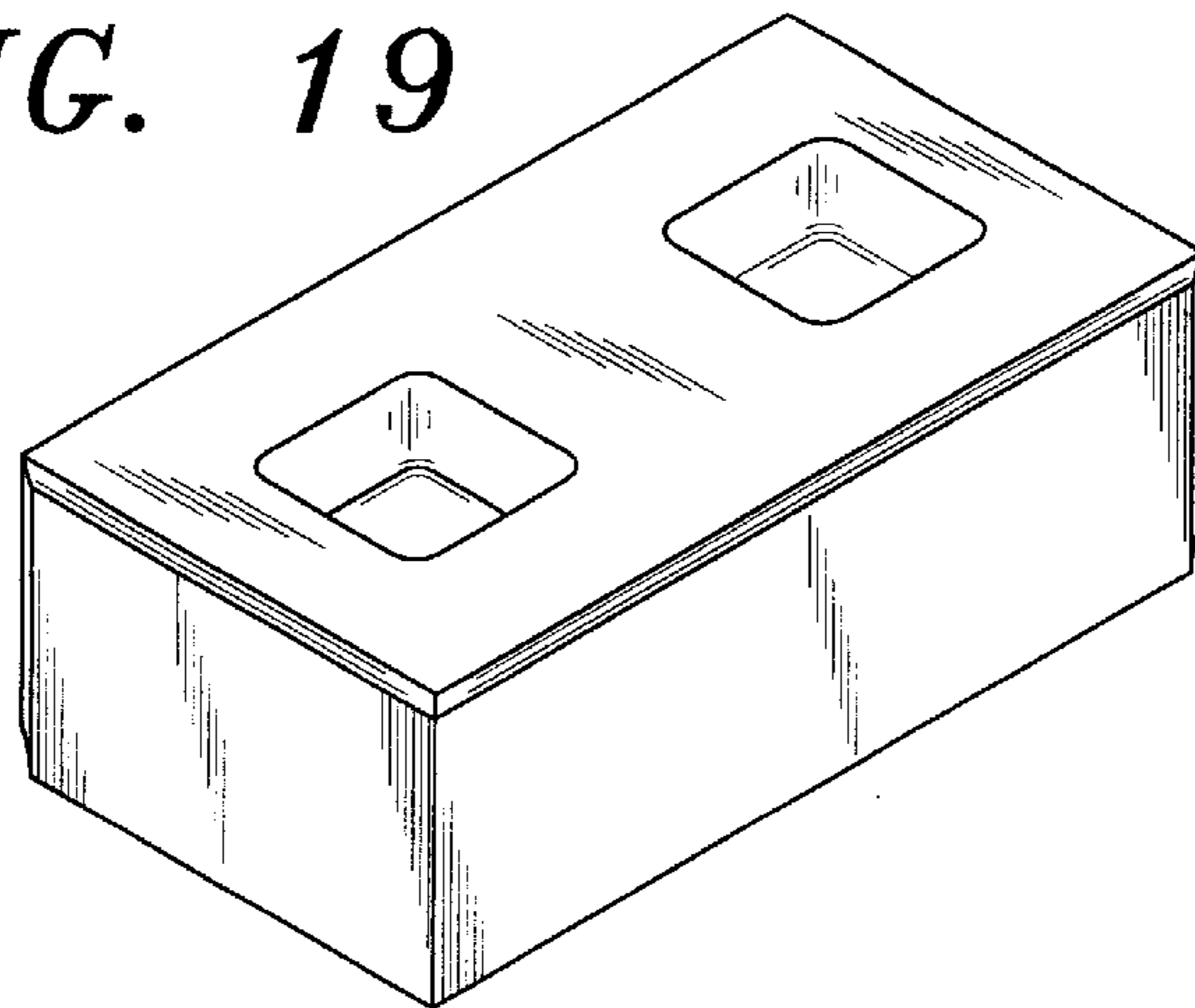


FIG. 20

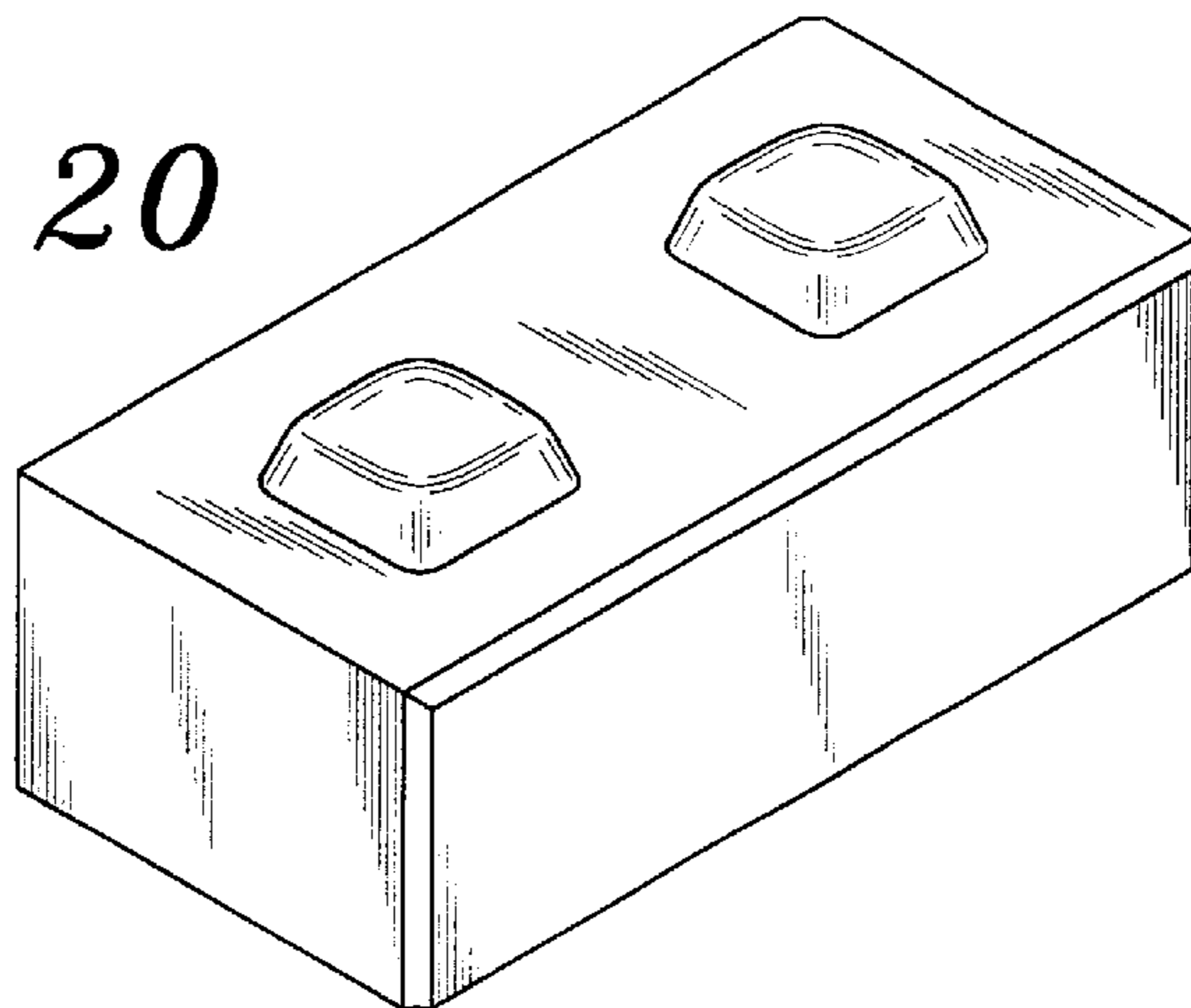


FIG. 21

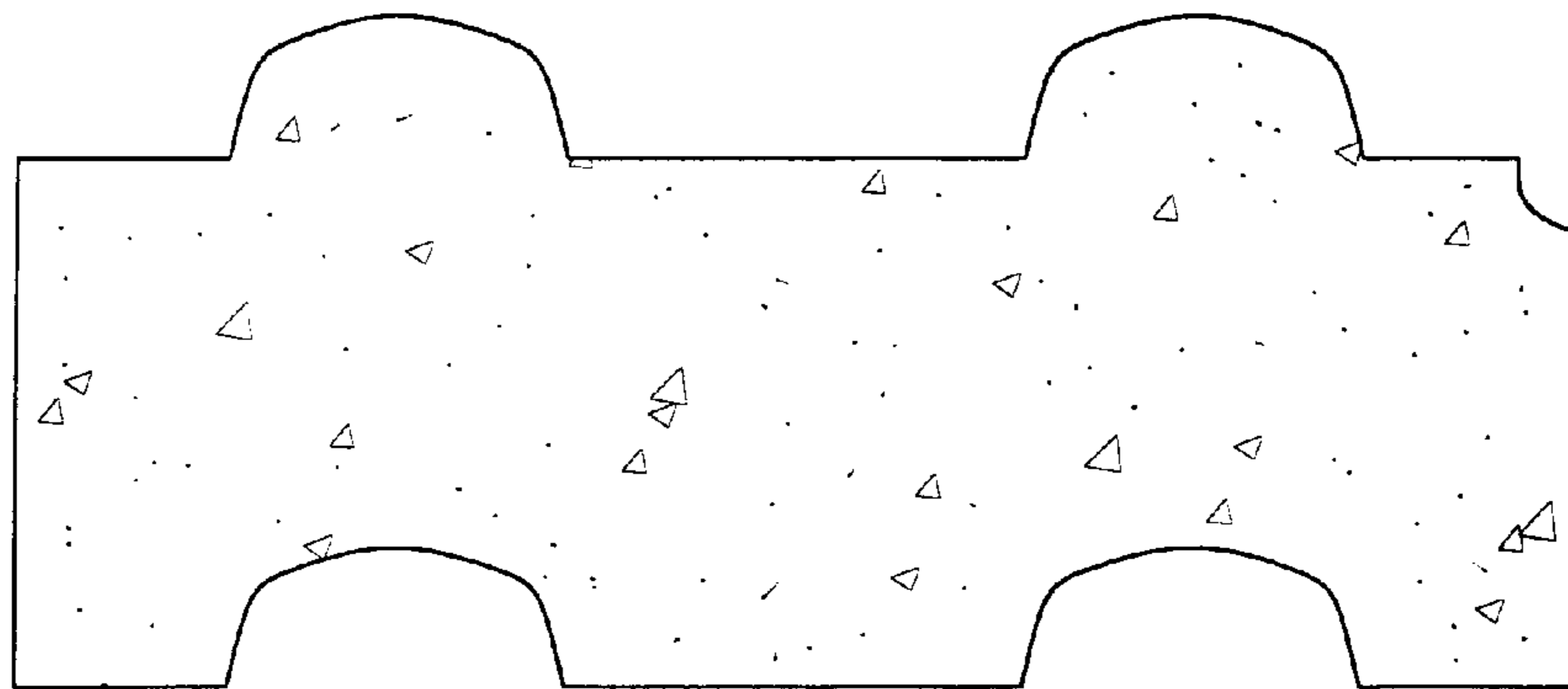


FIG. 22

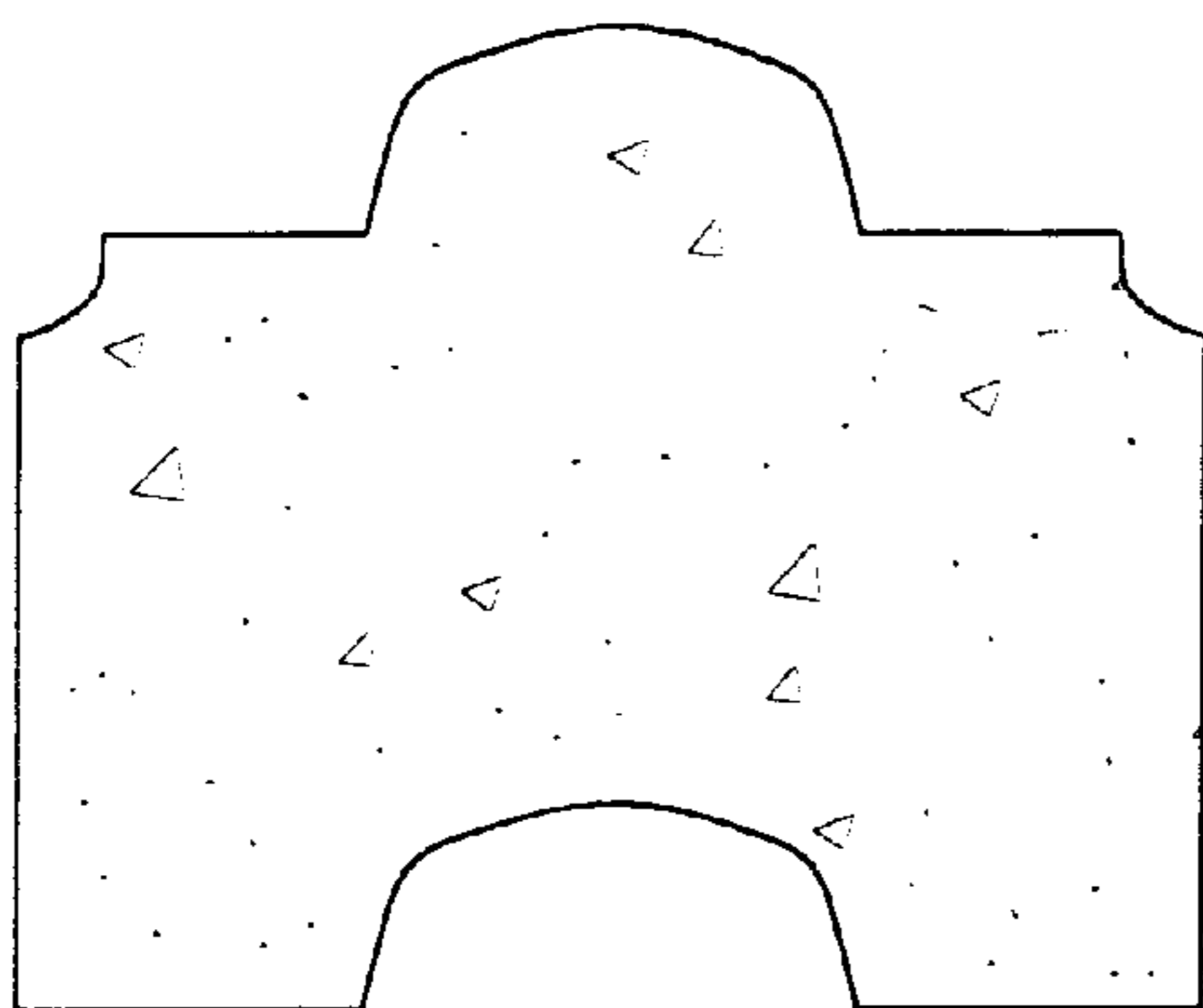


FIG. 23

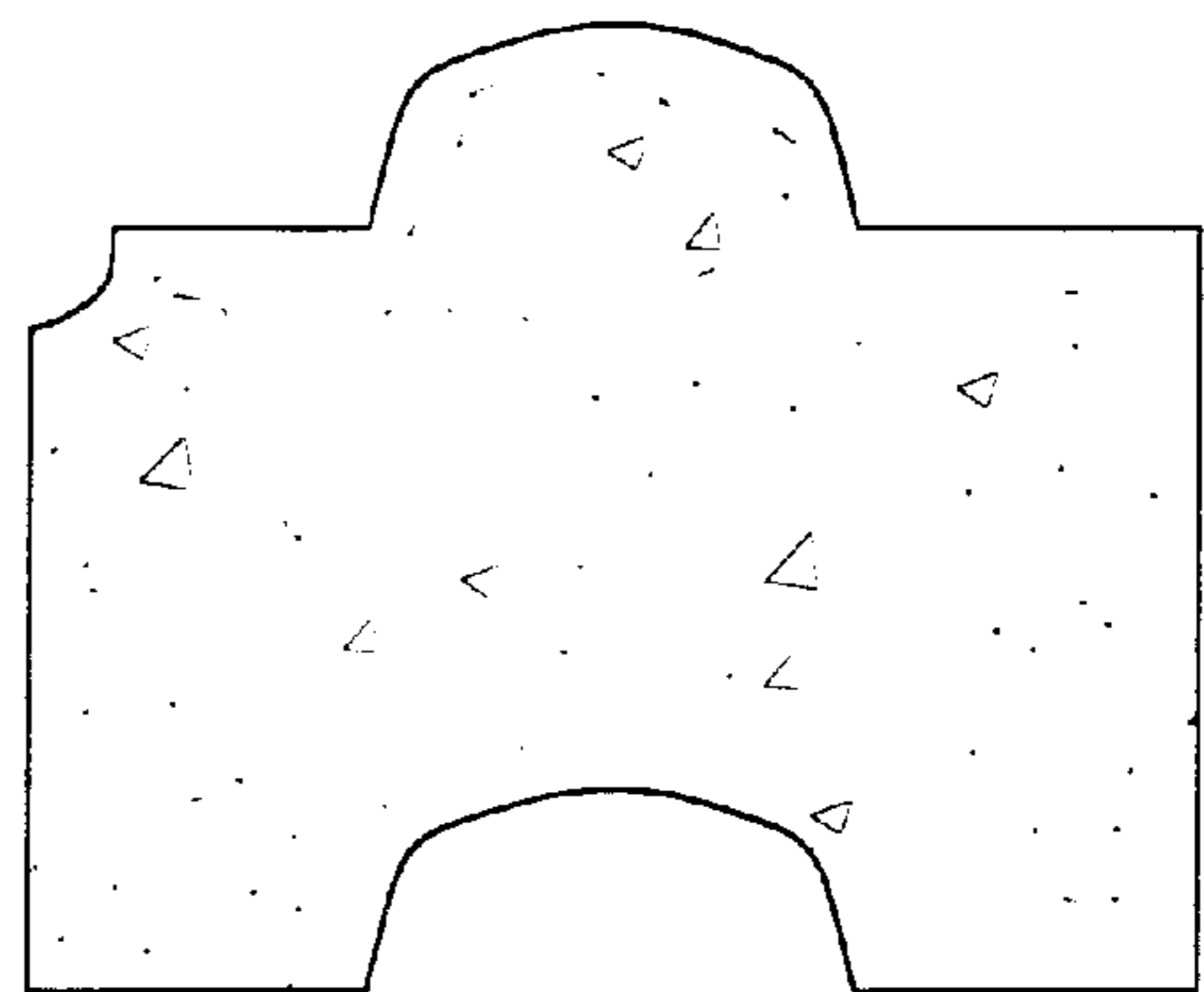


FIG. 24

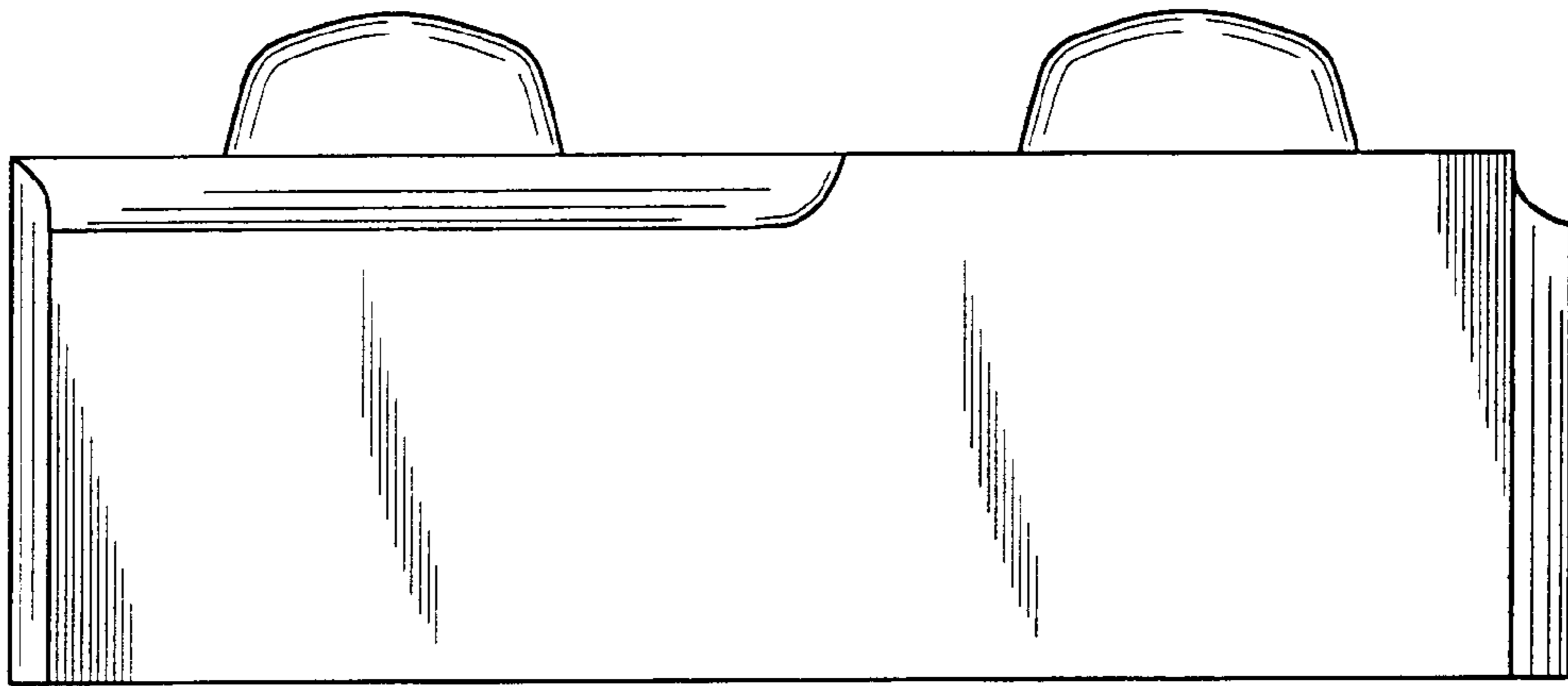


FIG. 25

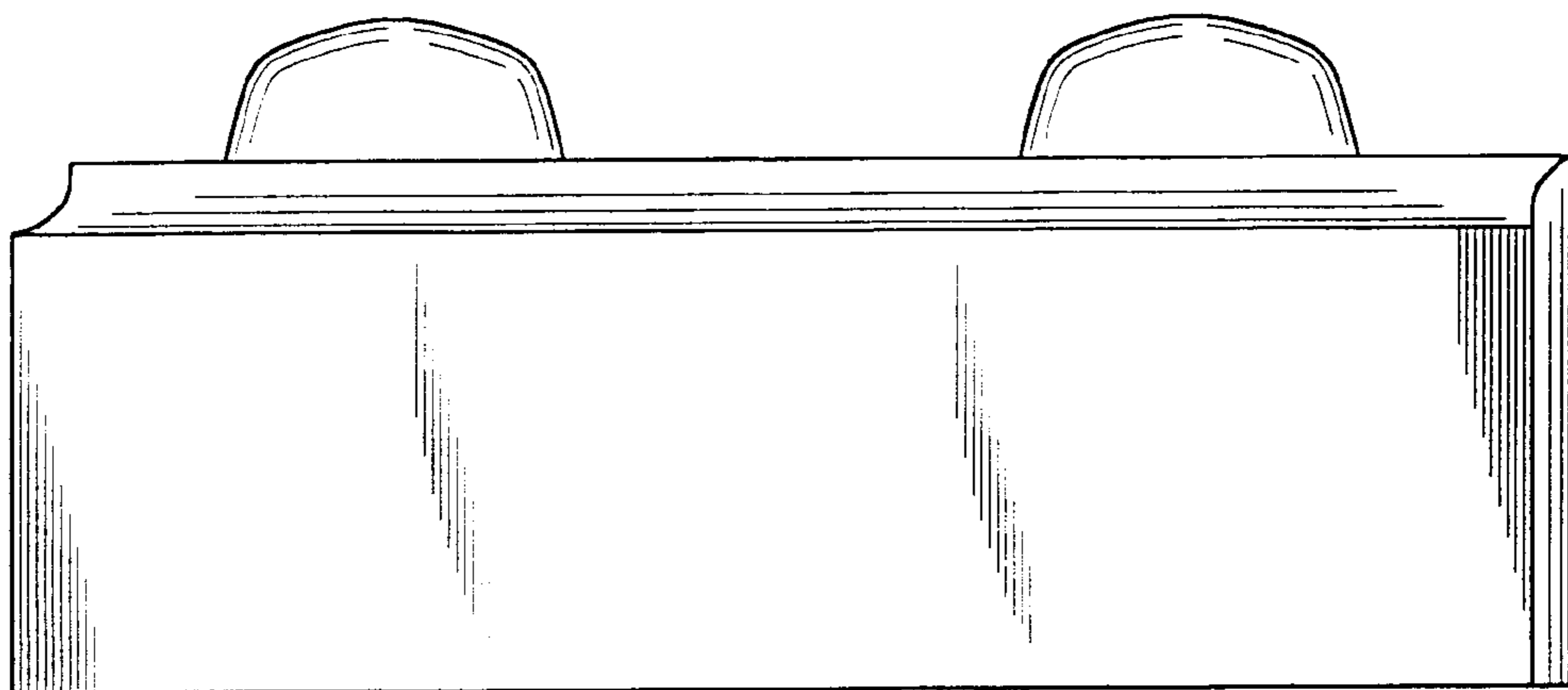


FIG. 26

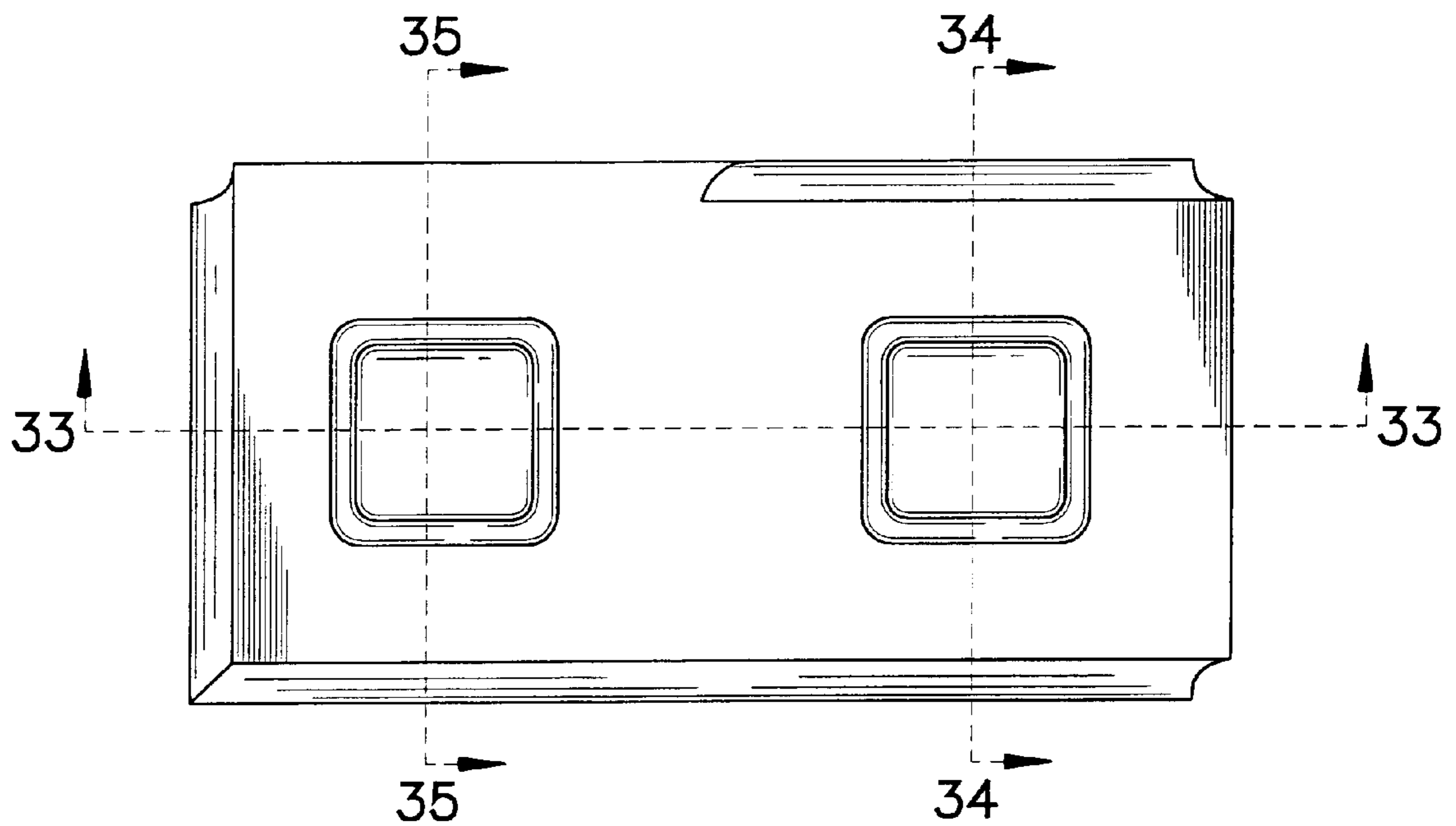


FIG. 27

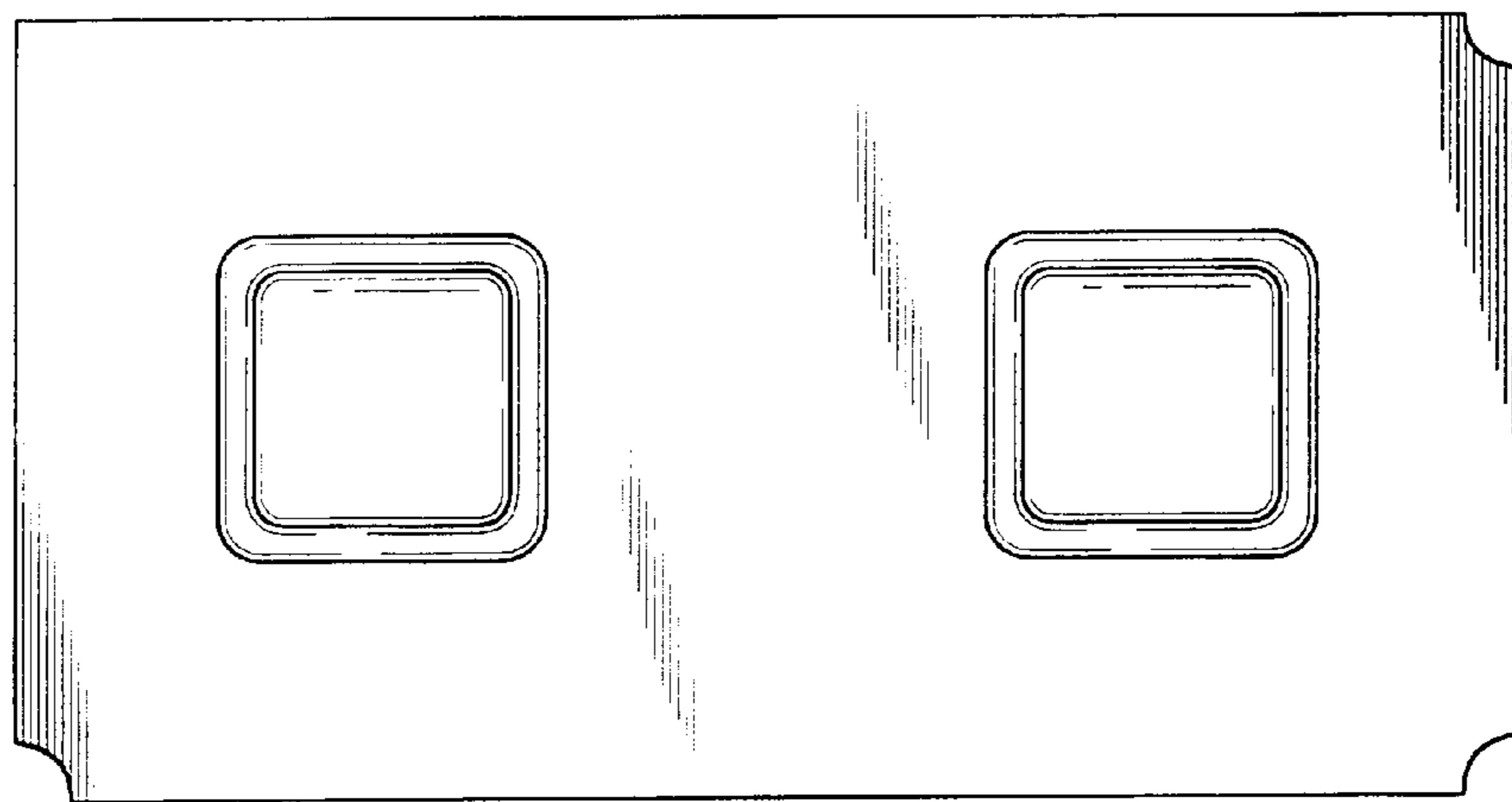


FIG. 28

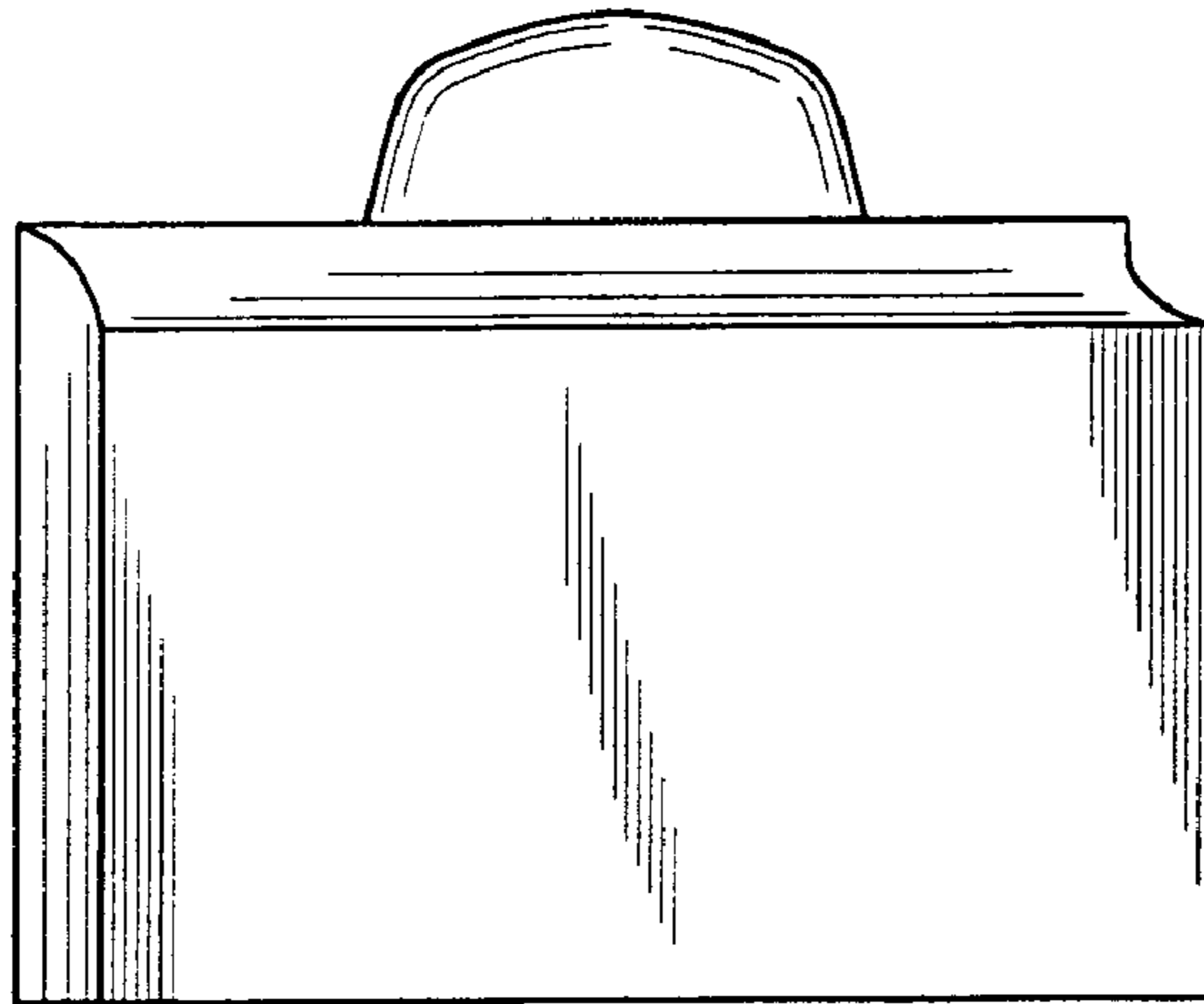


FIG. 29

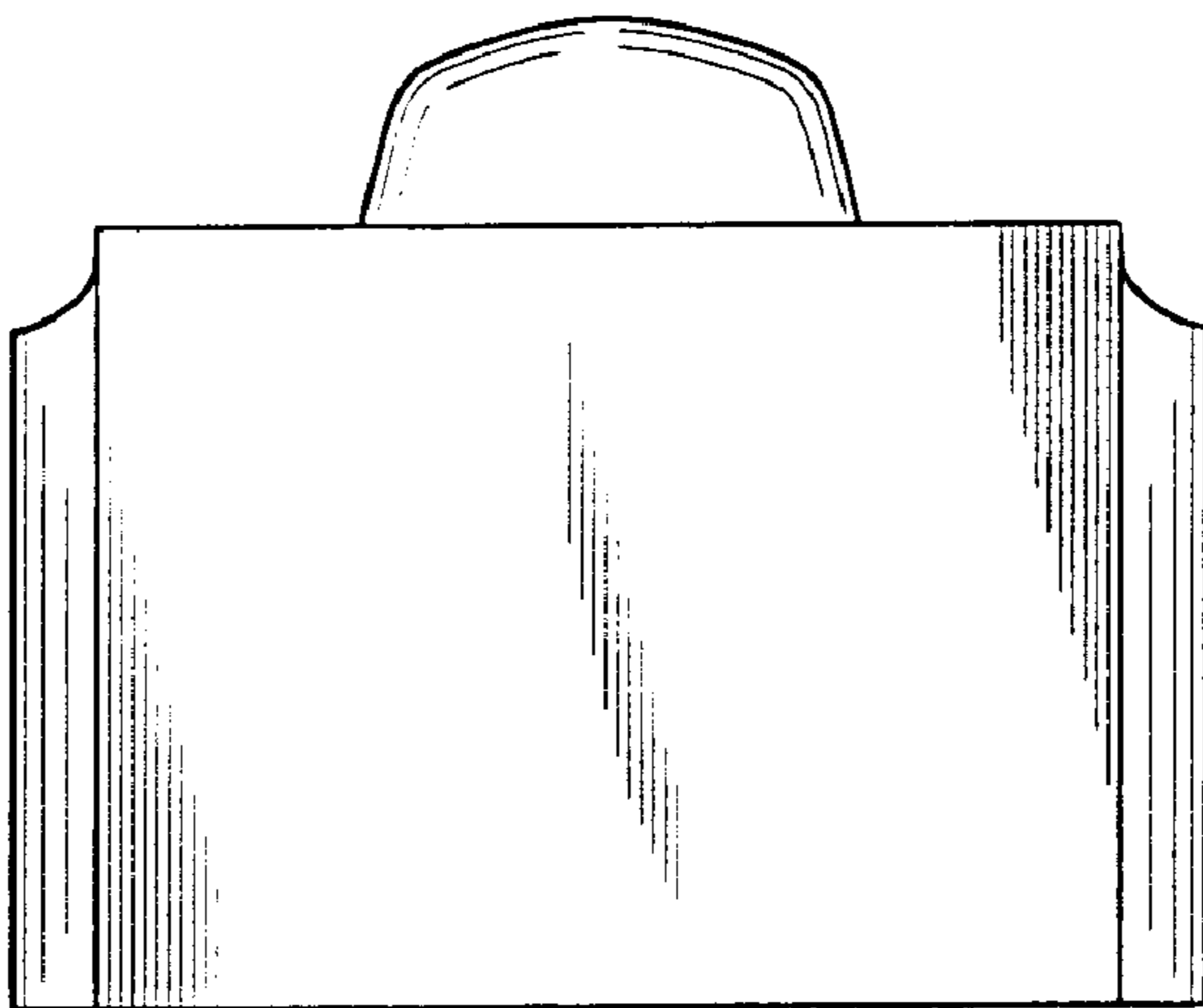


FIG. 30

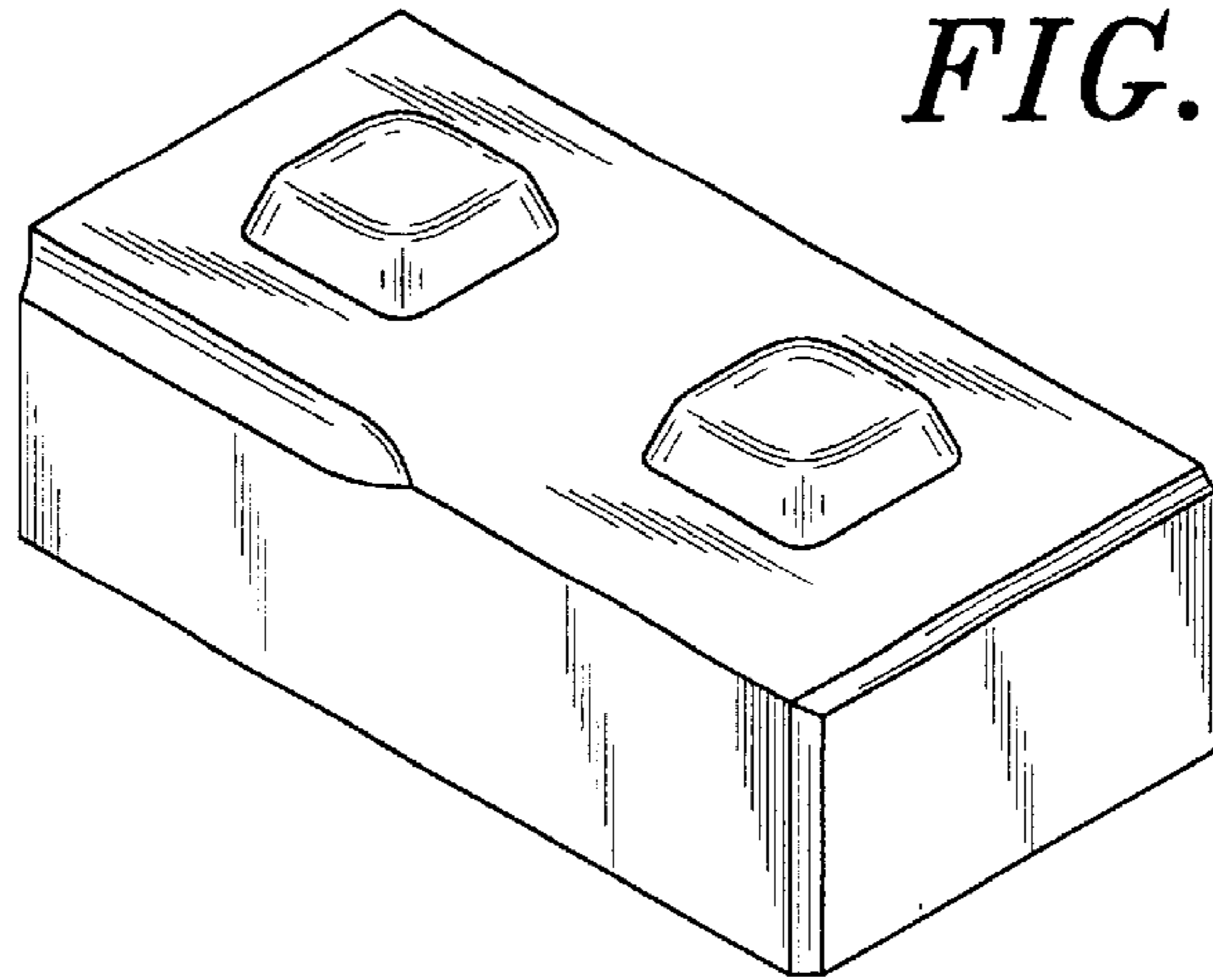


FIG. 31

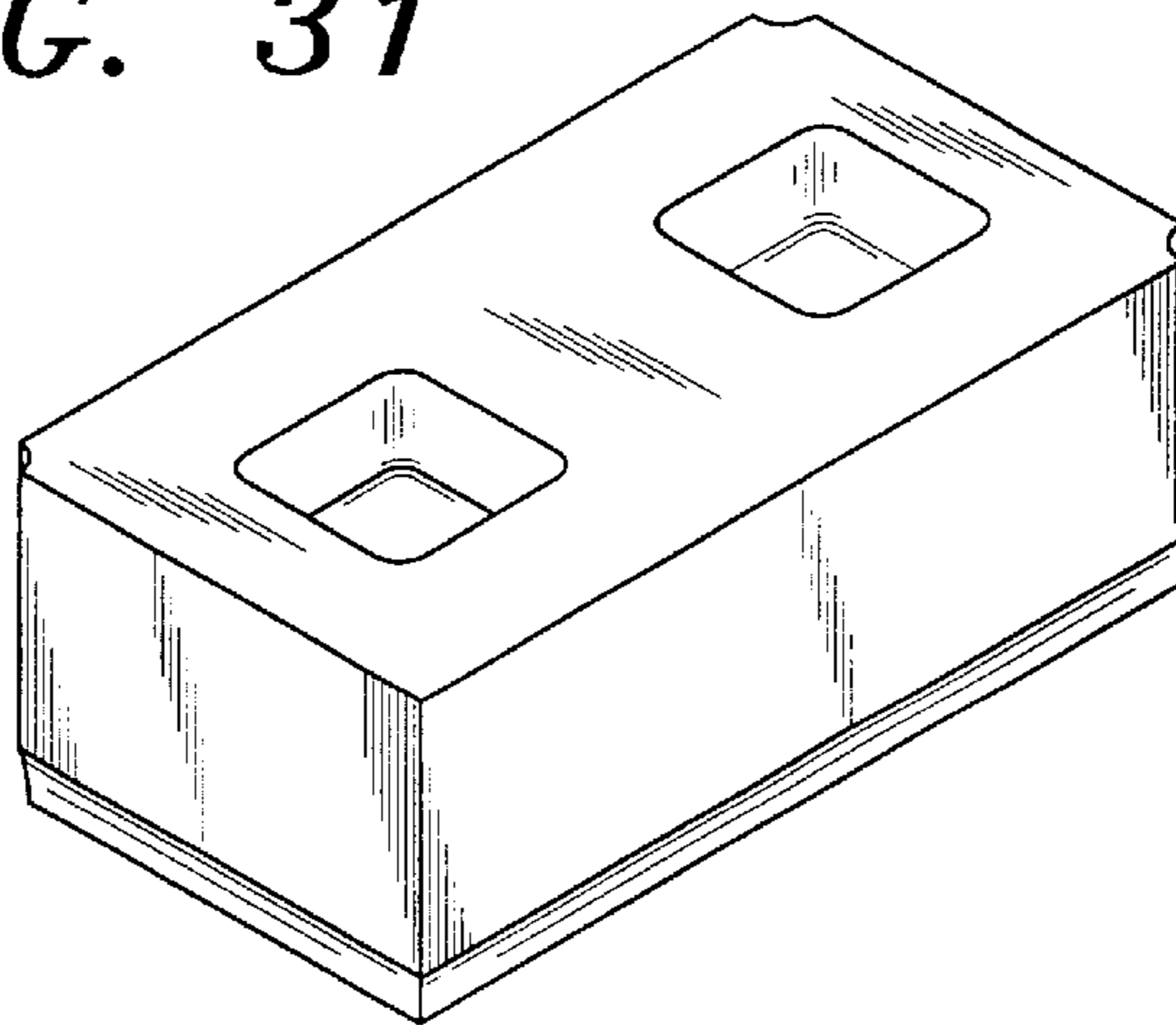


FIG. 32

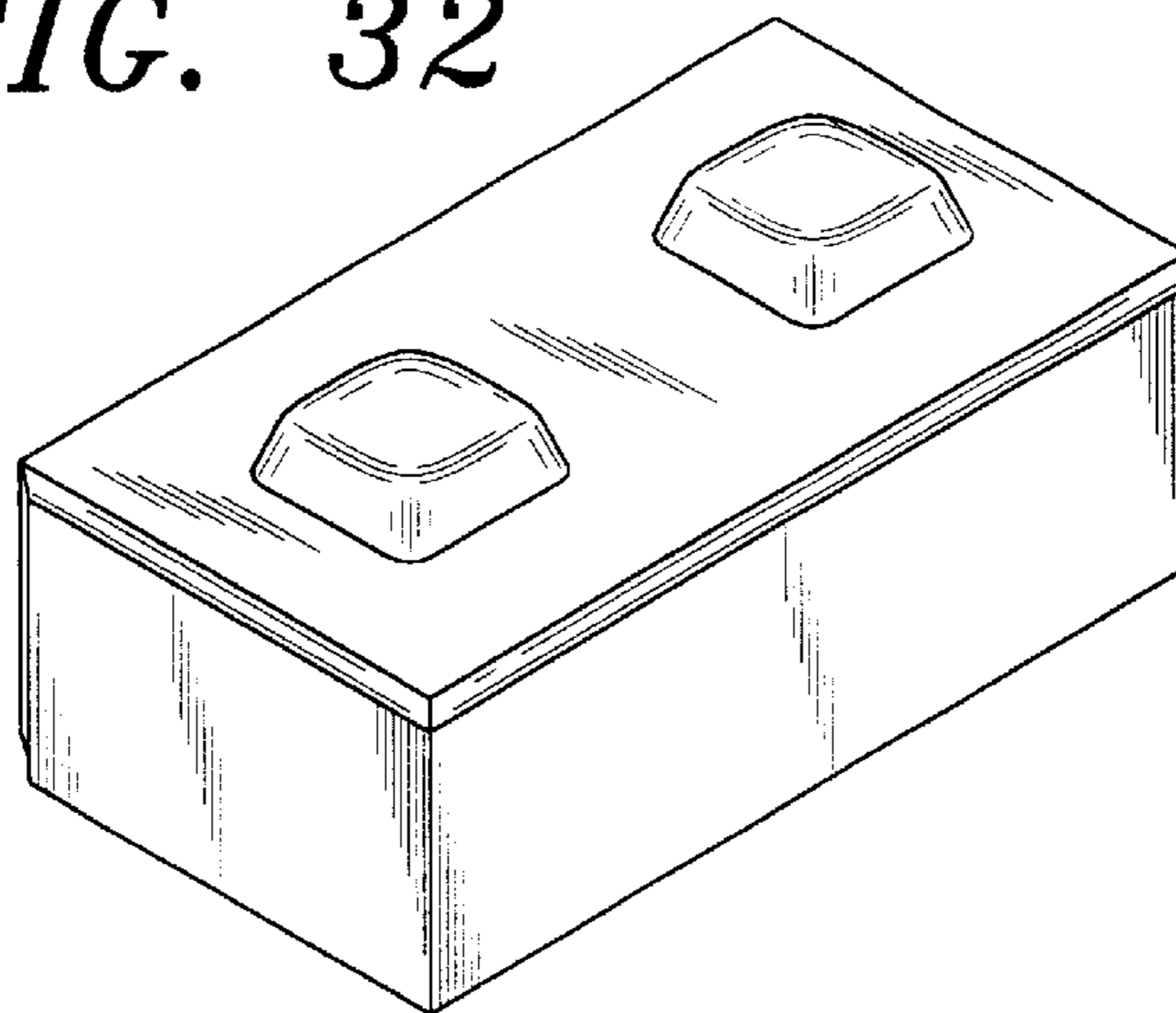


FIG. 33

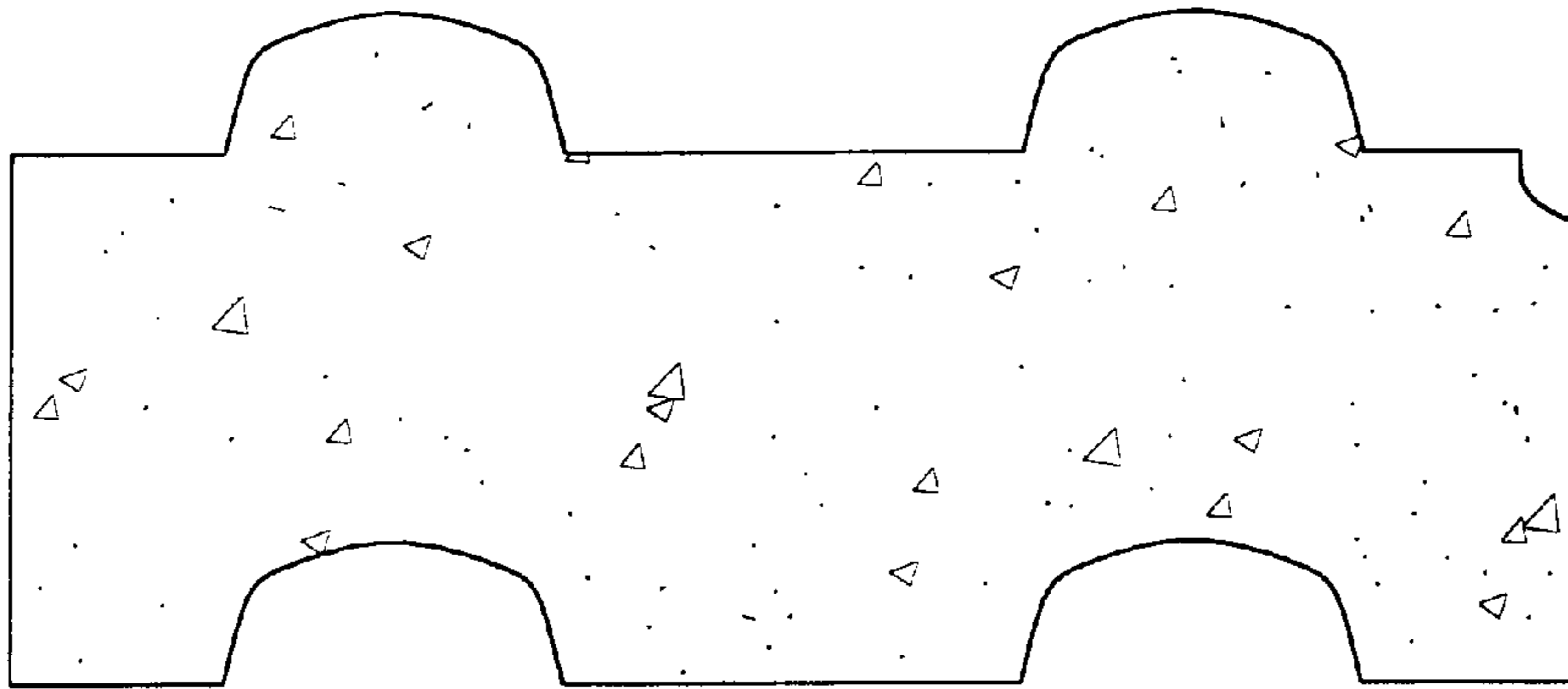


FIG. 34

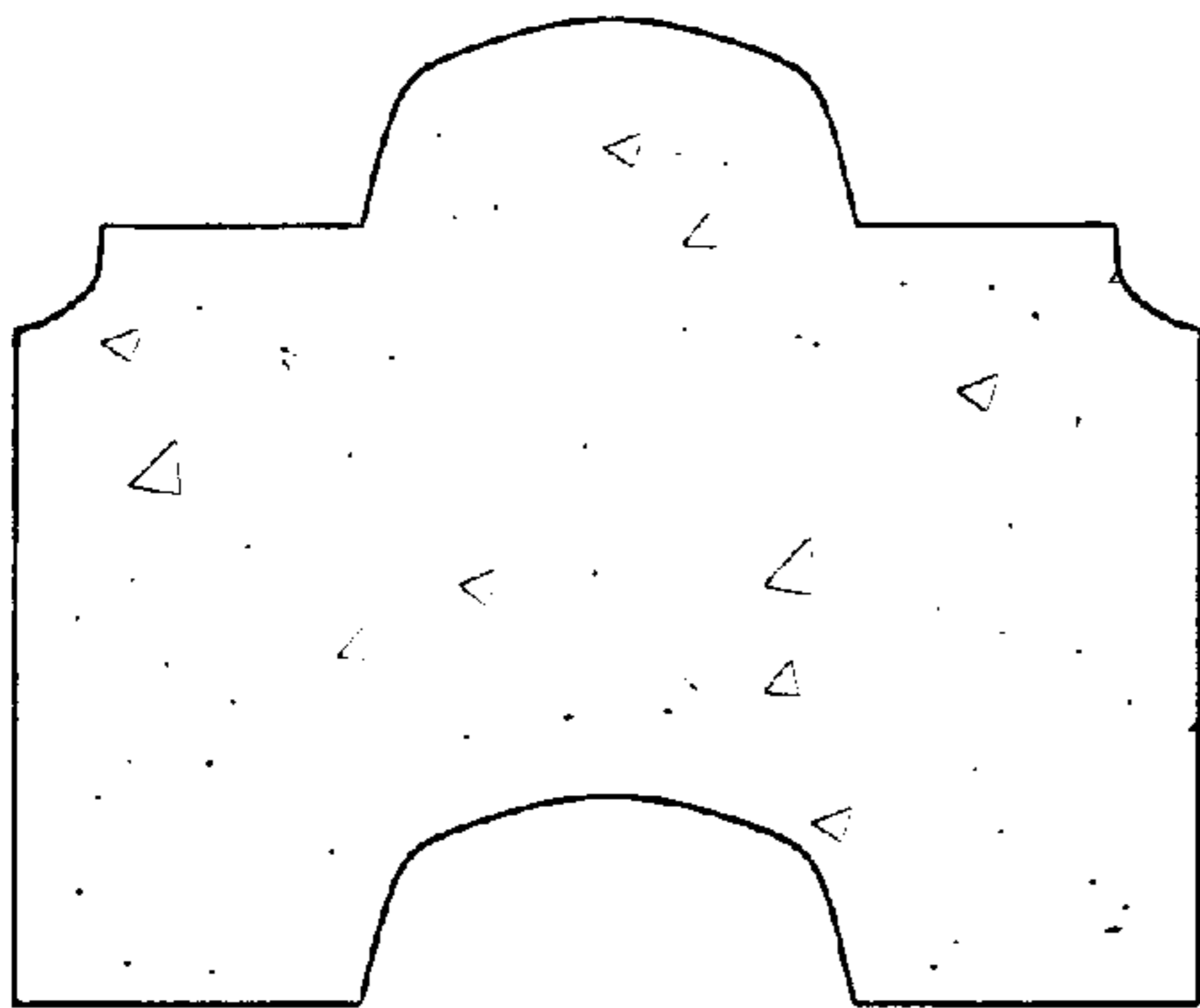


FIG. 35

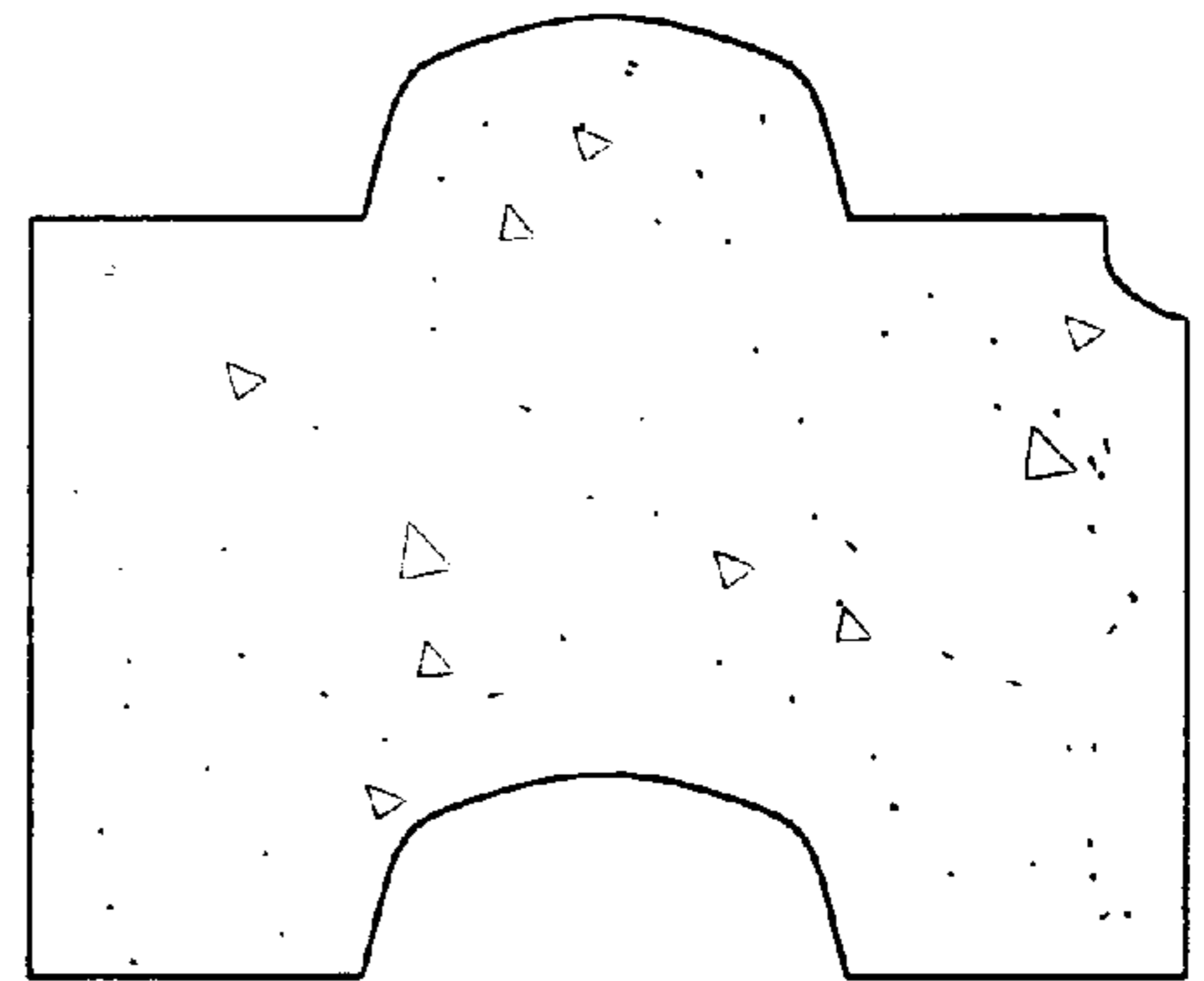


FIG. 36

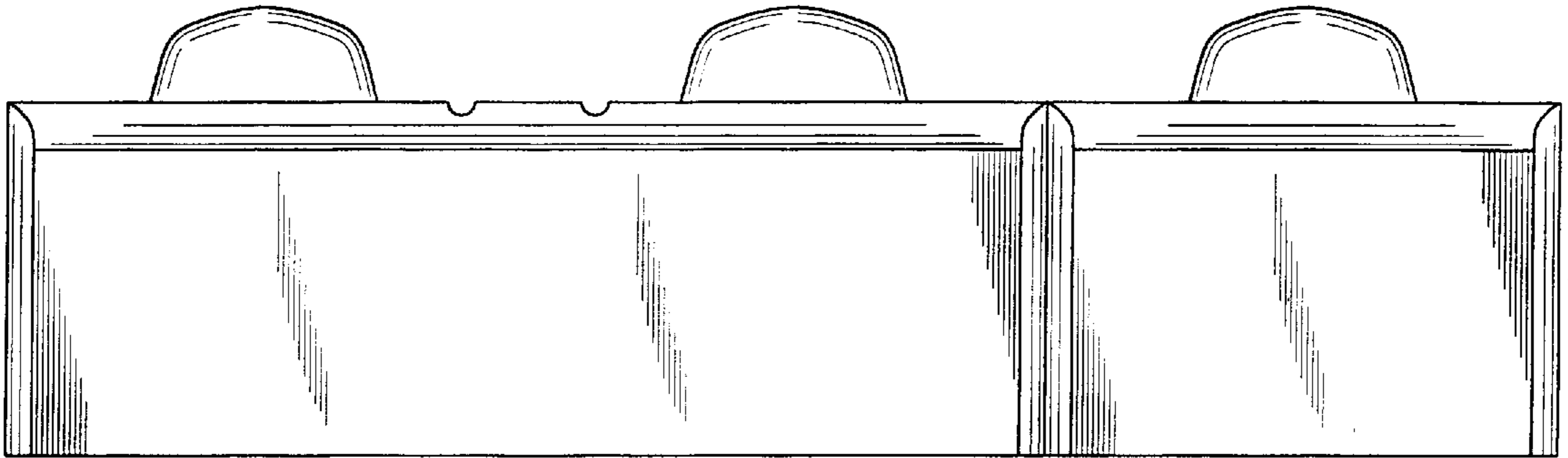


FIG. 37

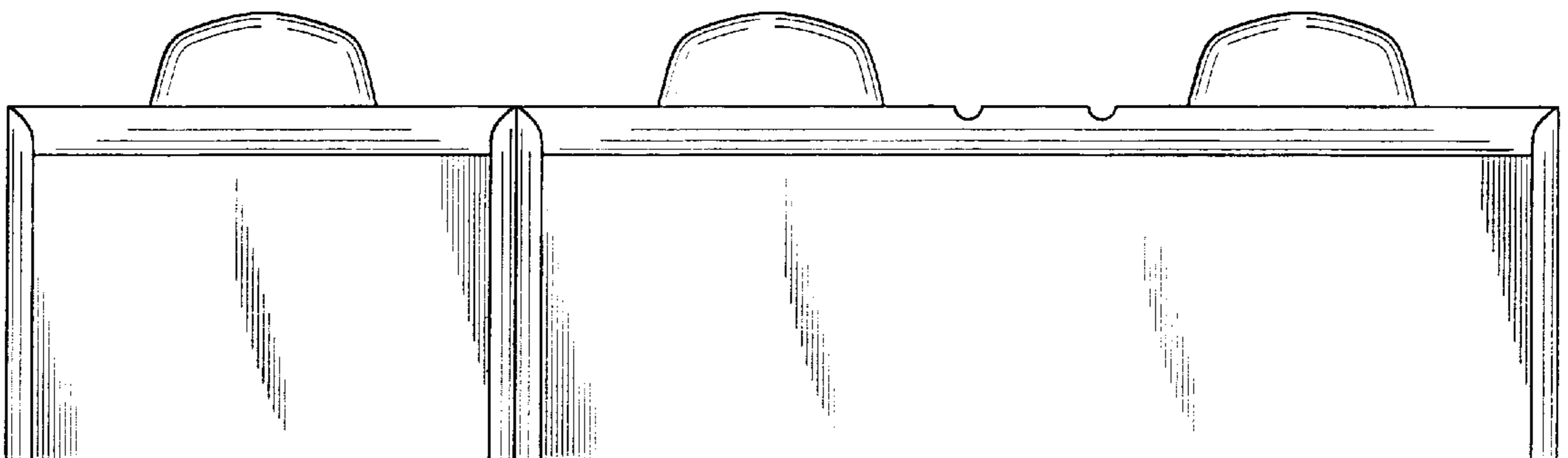


FIG. 38

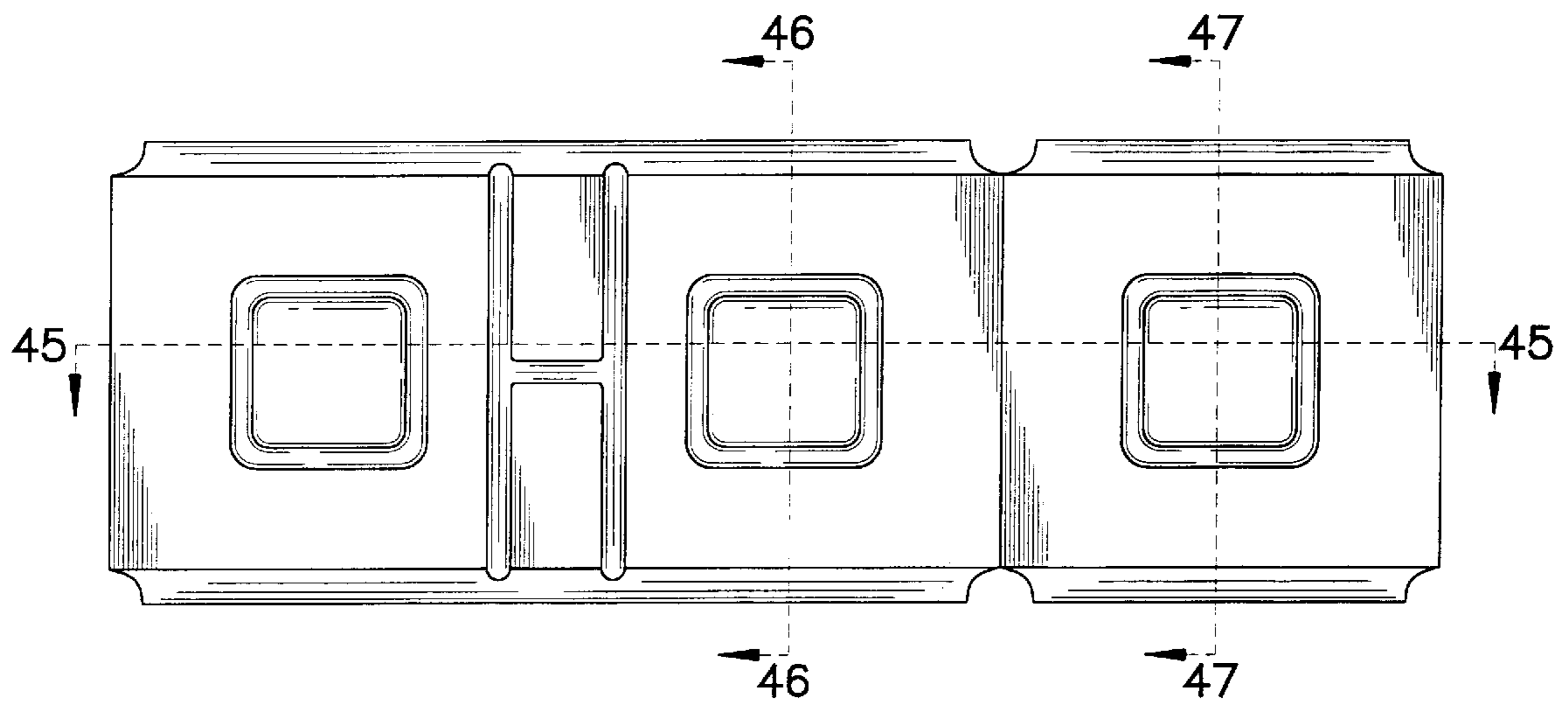


FIG. 39

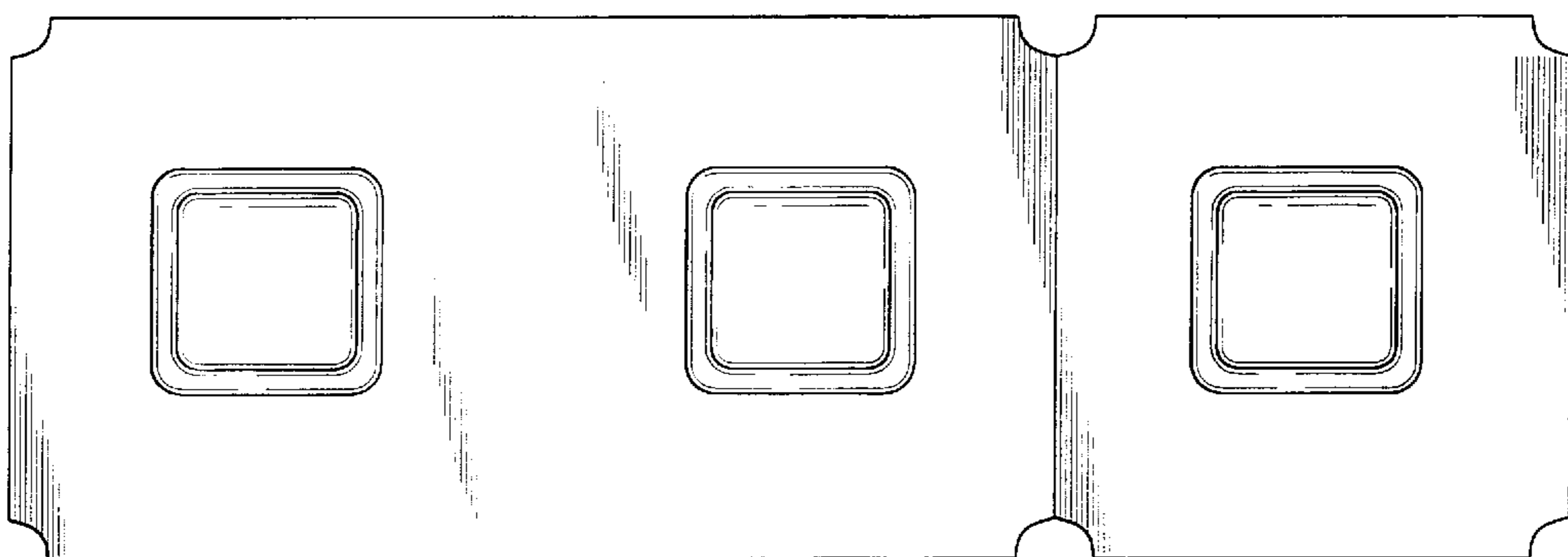


FIG. 40

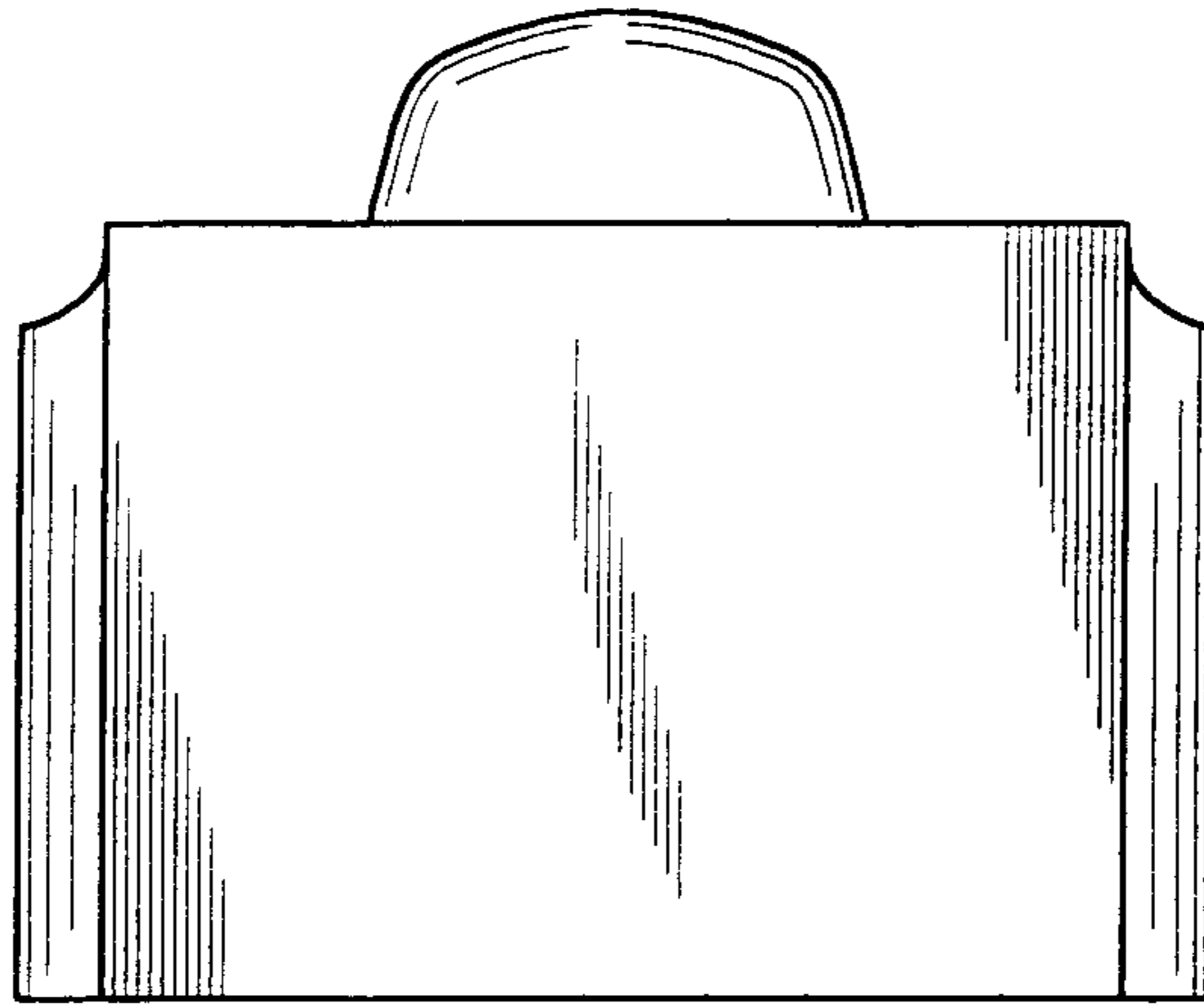
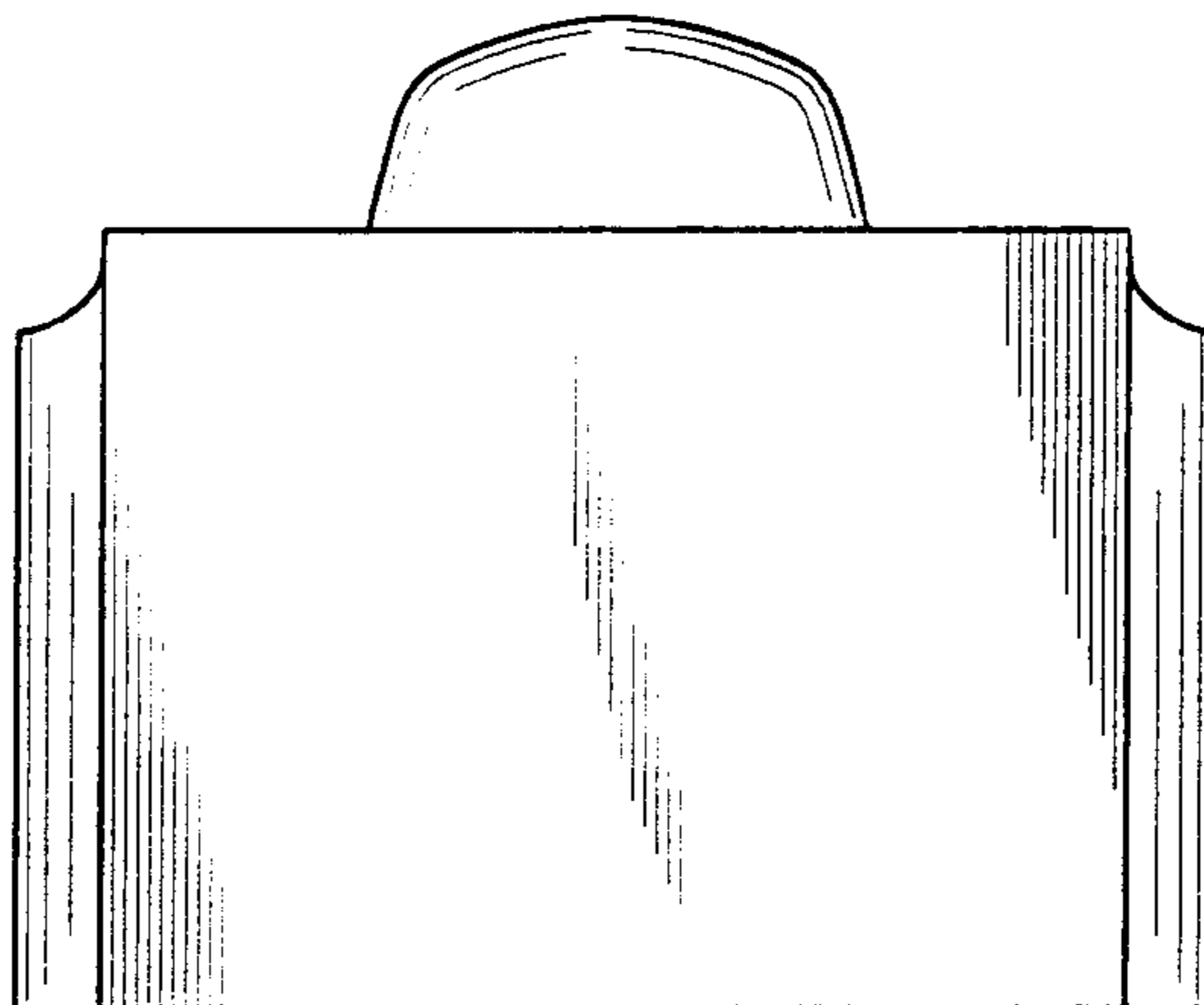


FIG. 41



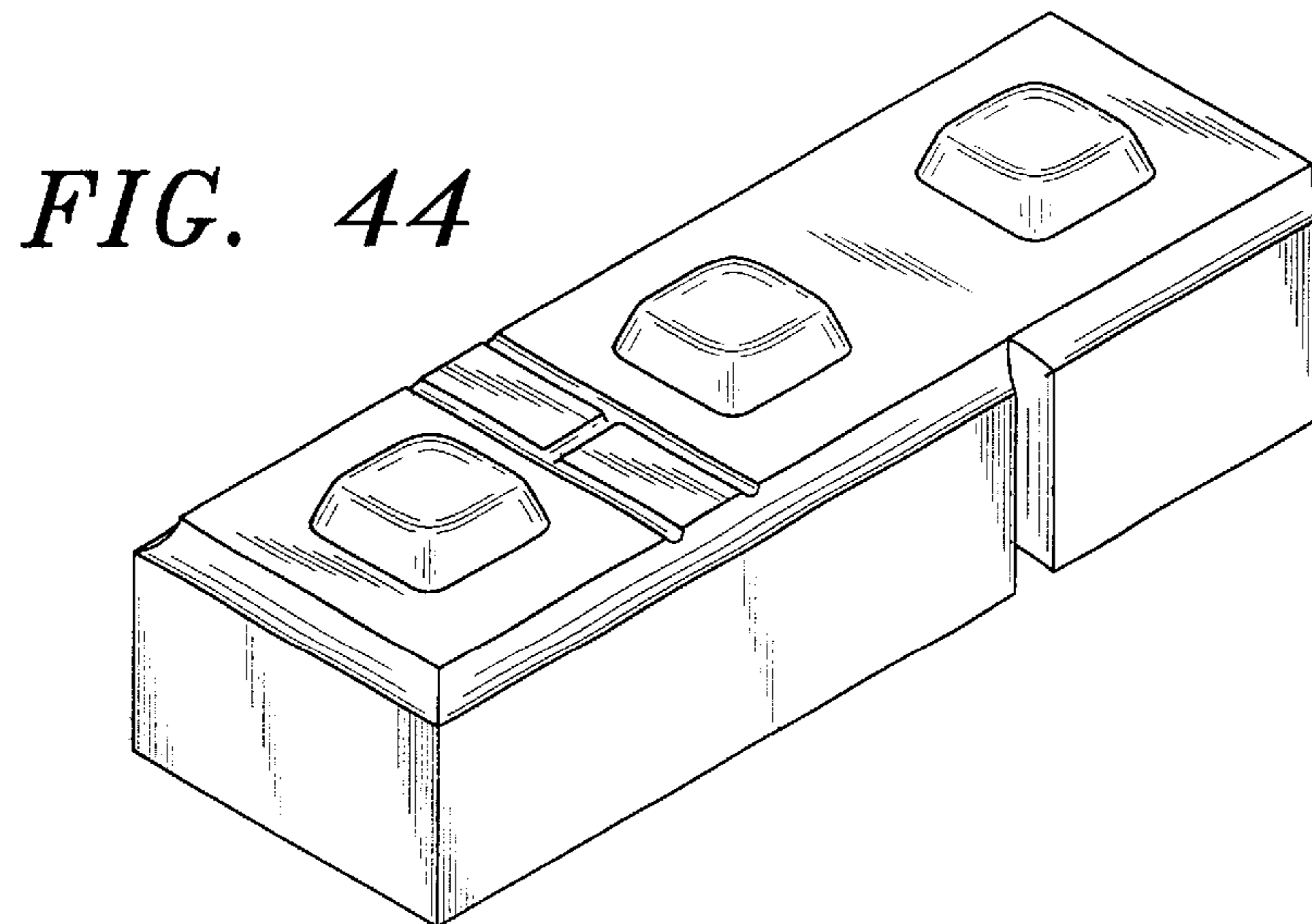
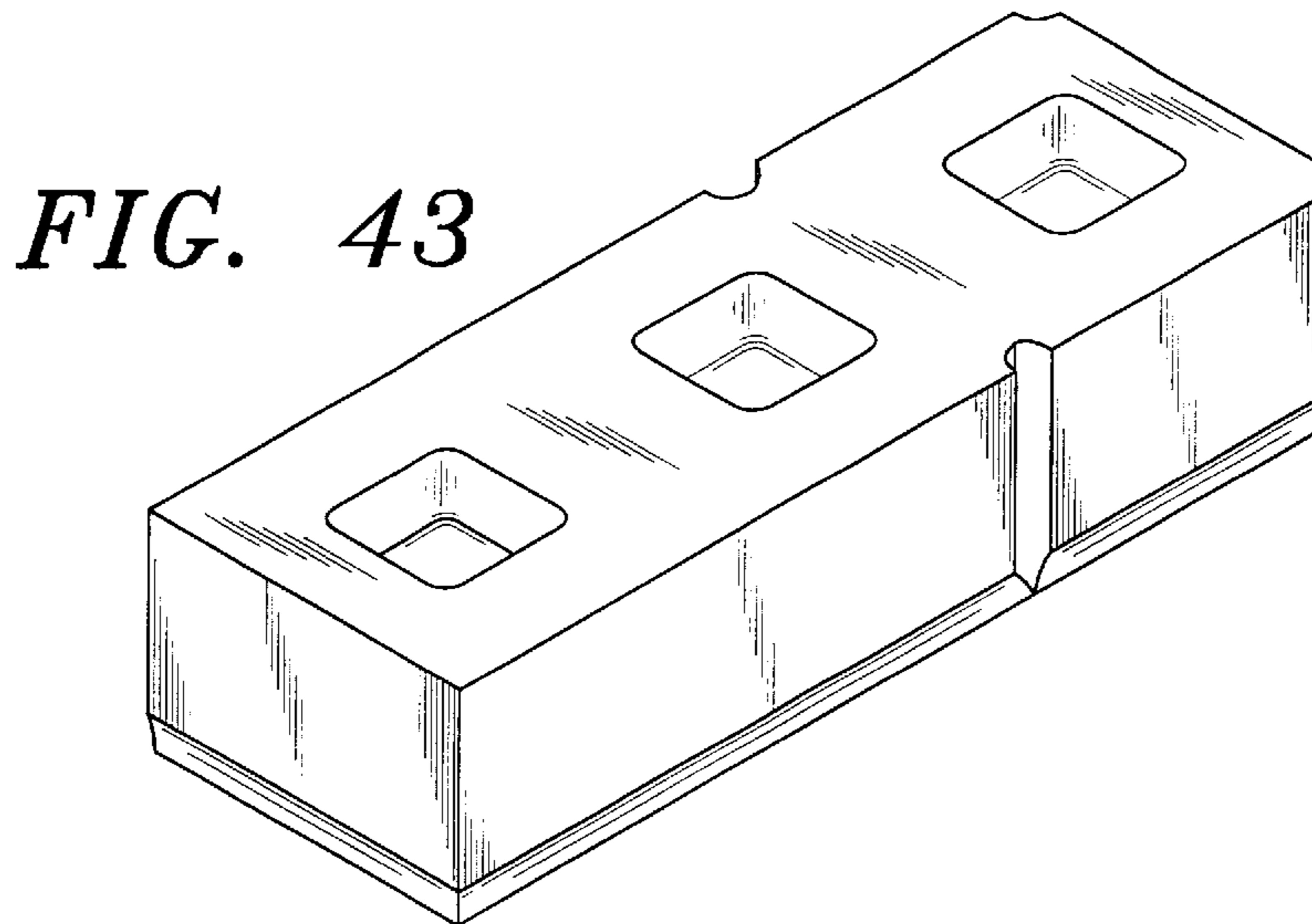
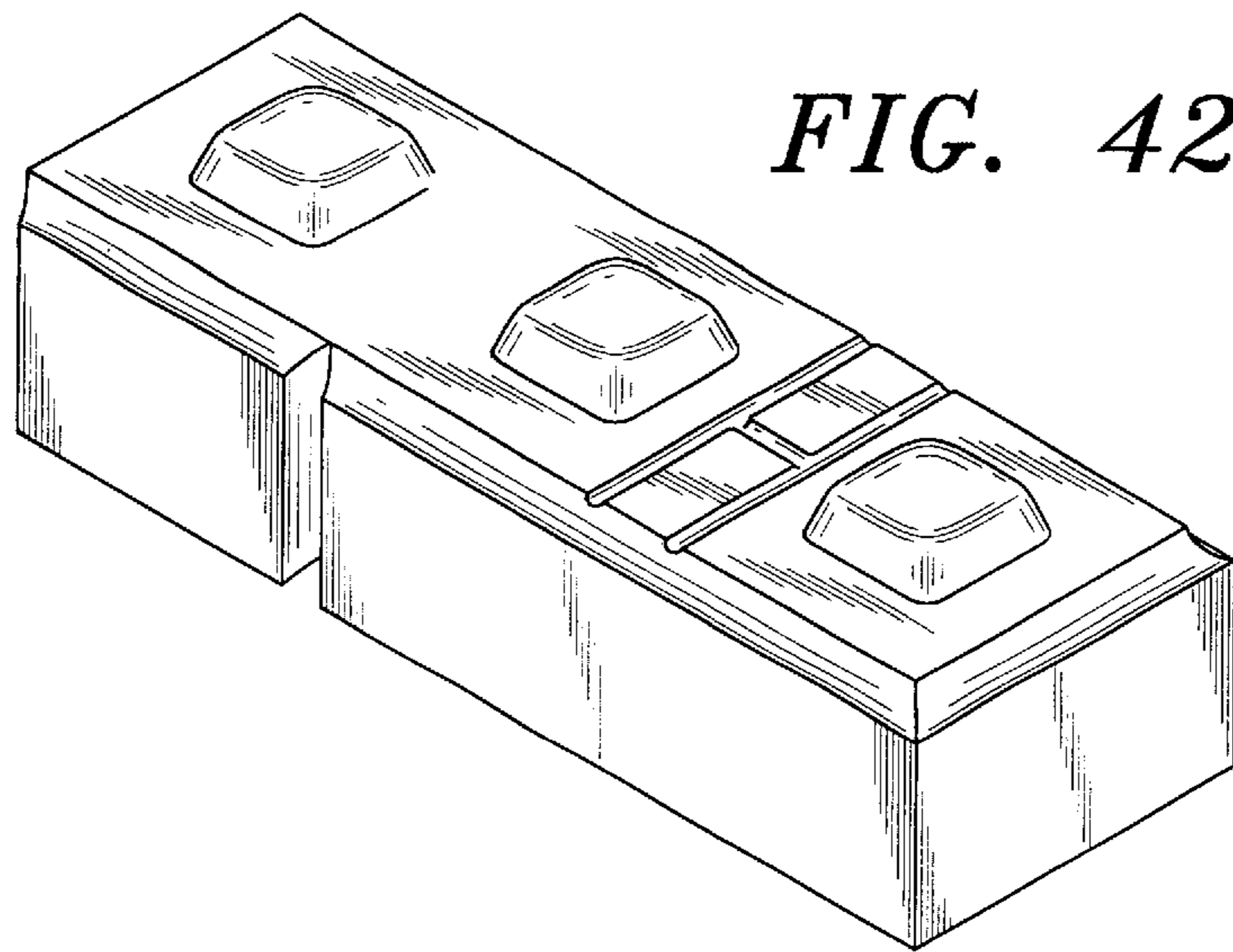


FIG. 45

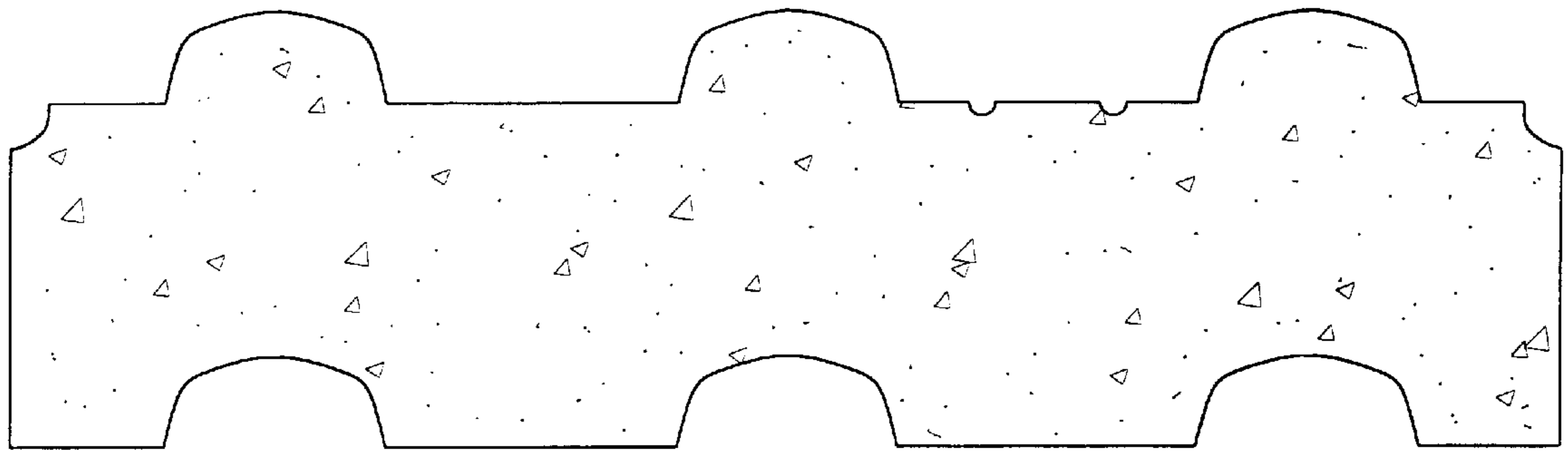


FIG. 46

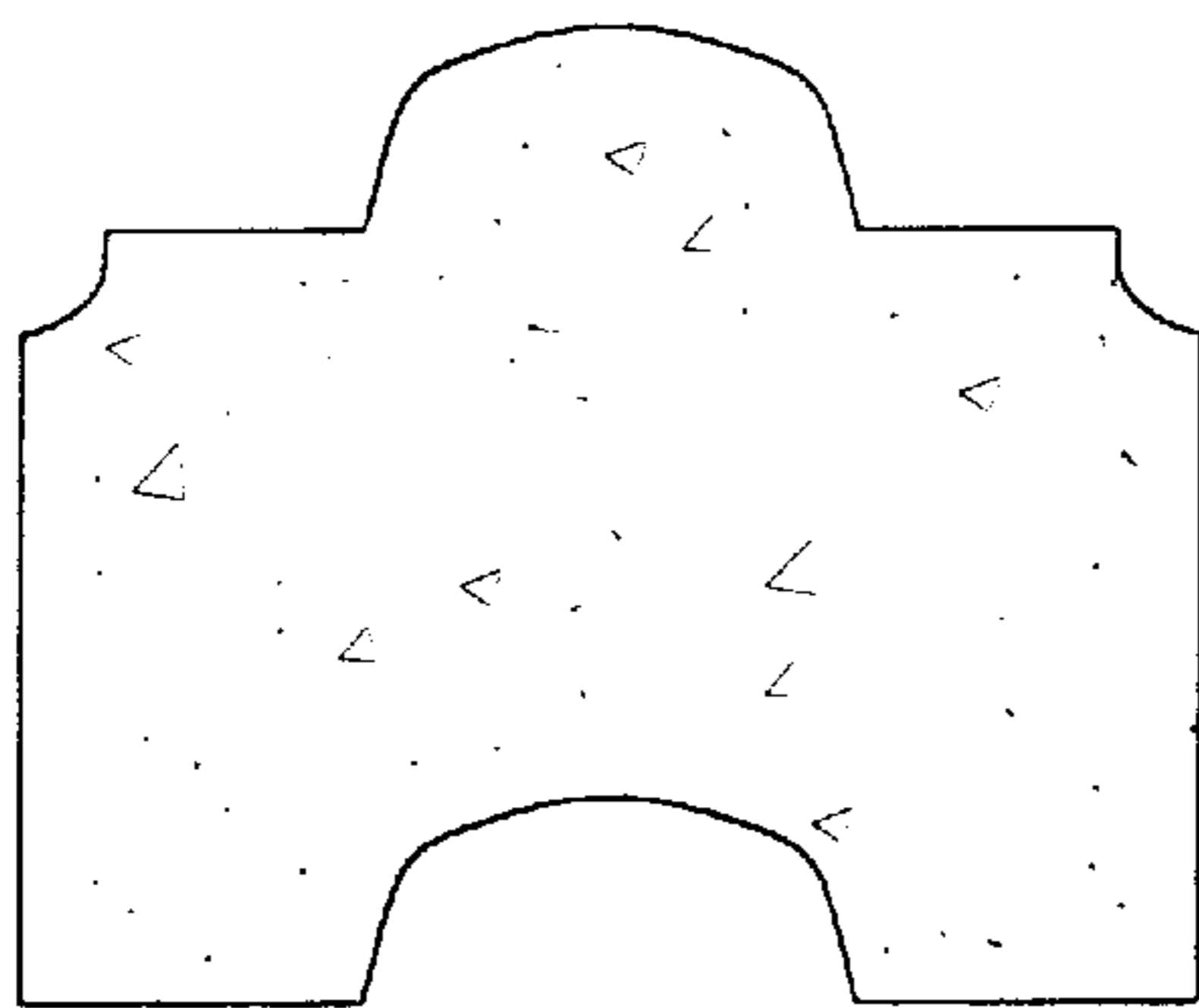


FIG. 47

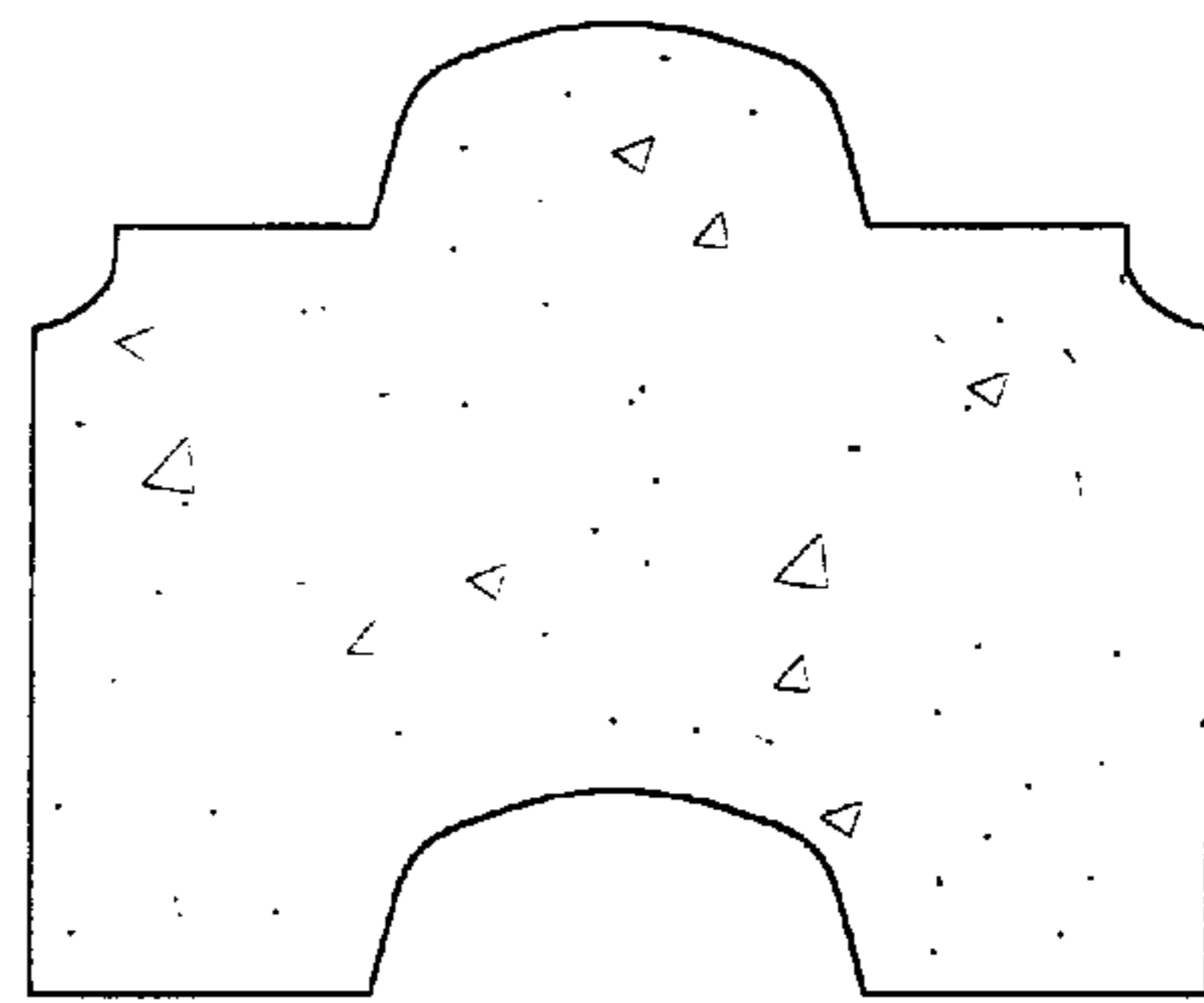


FIG. 48

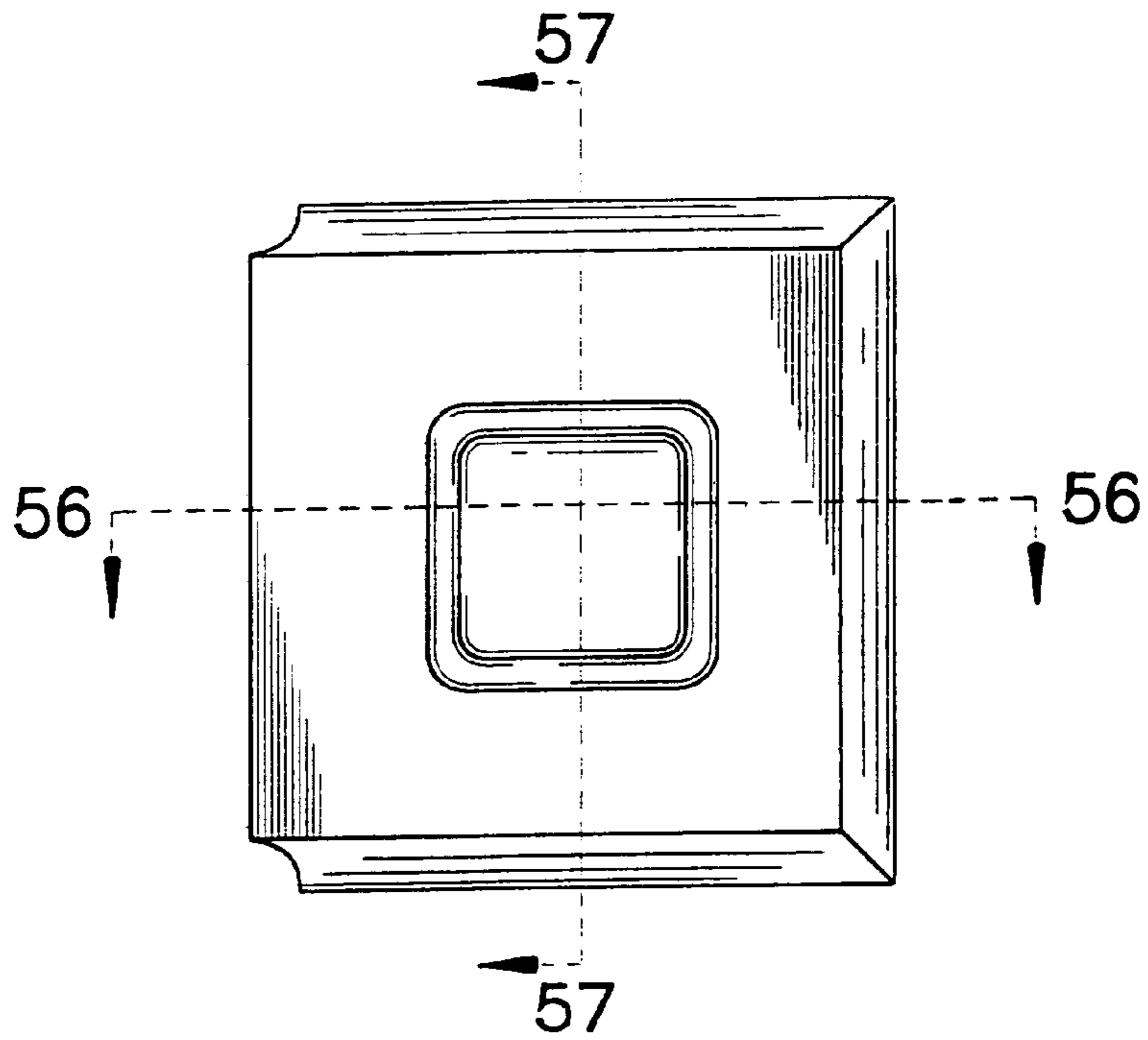


FIG. 49

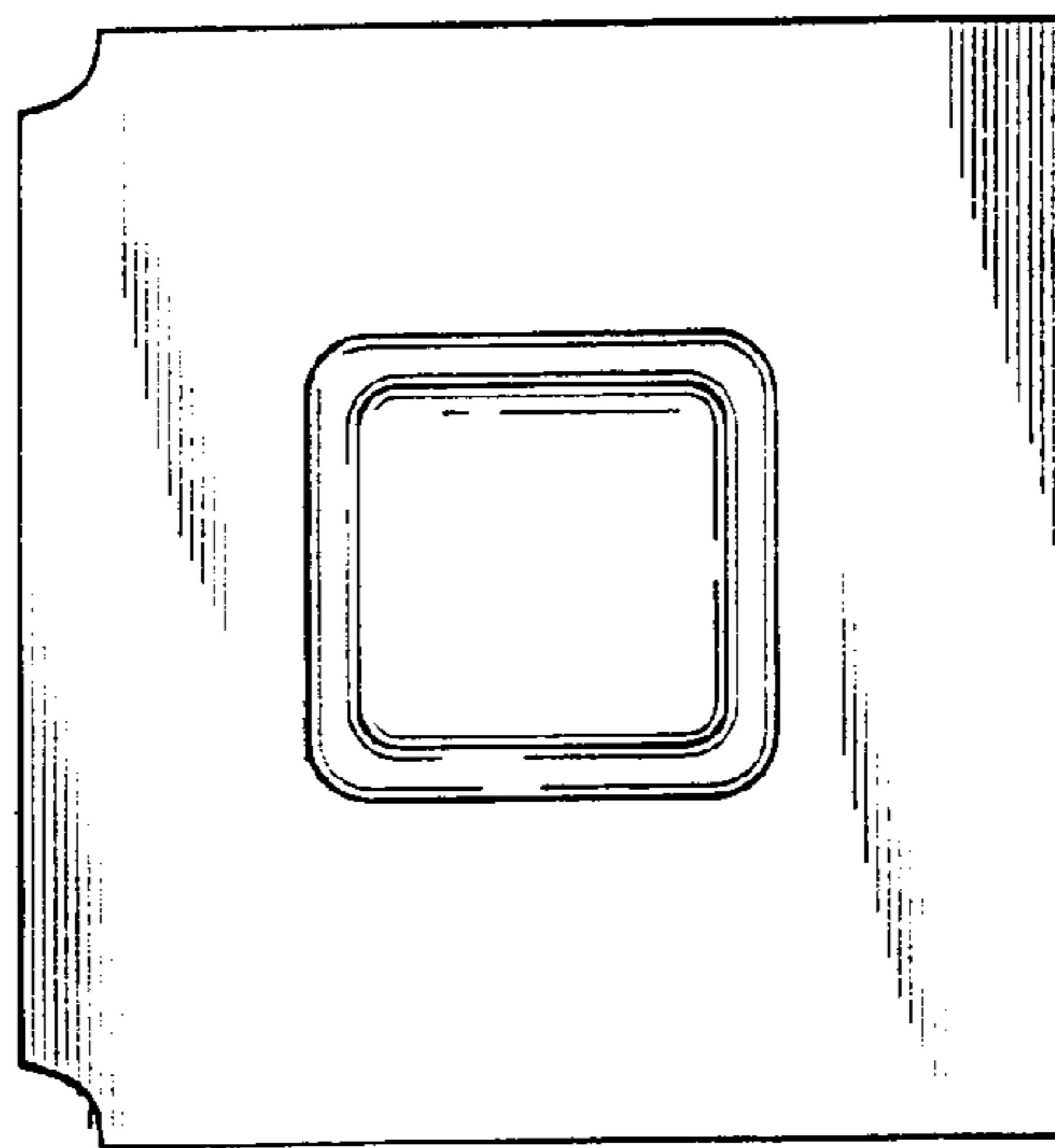


FIG. 50

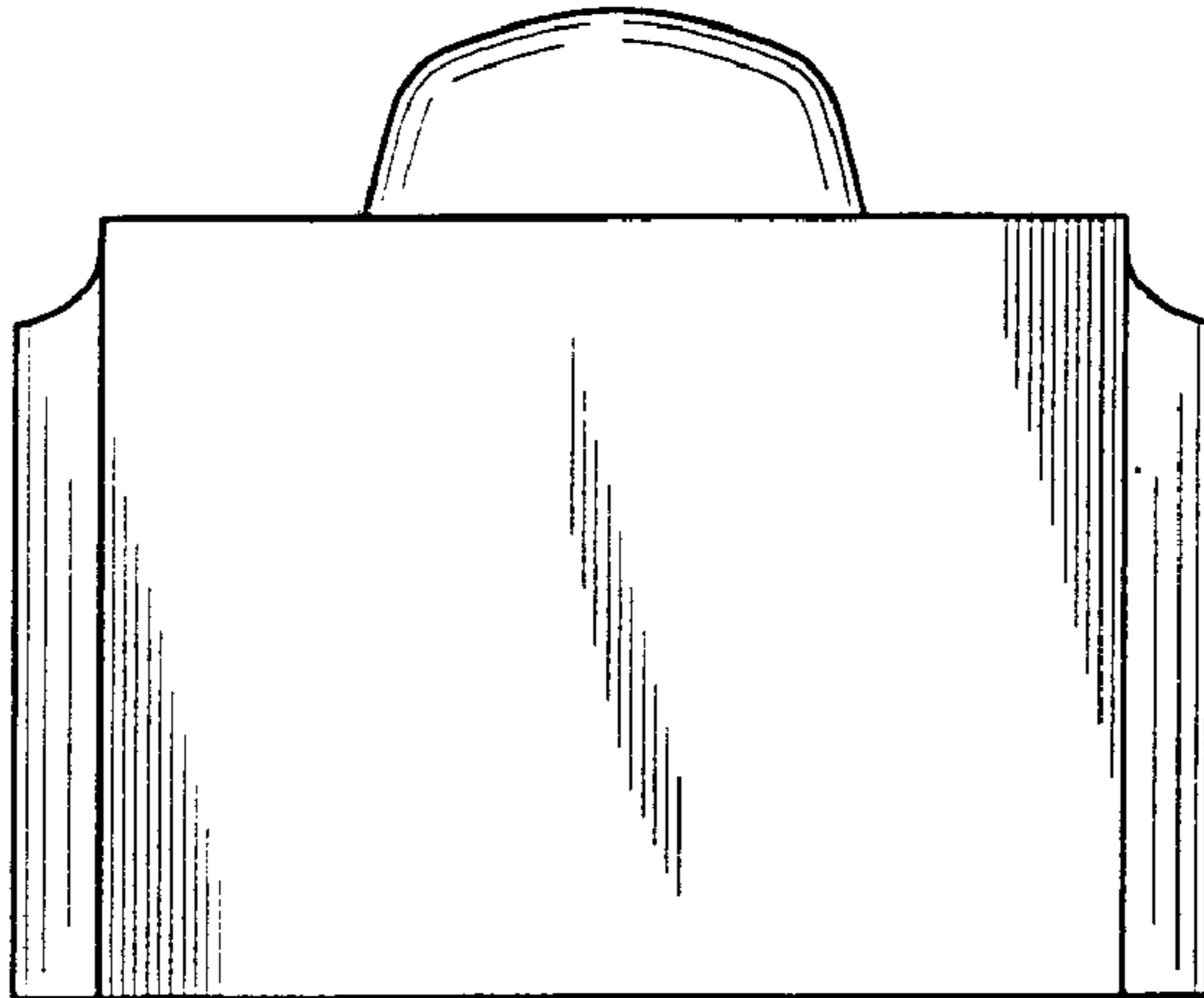


FIG. 51

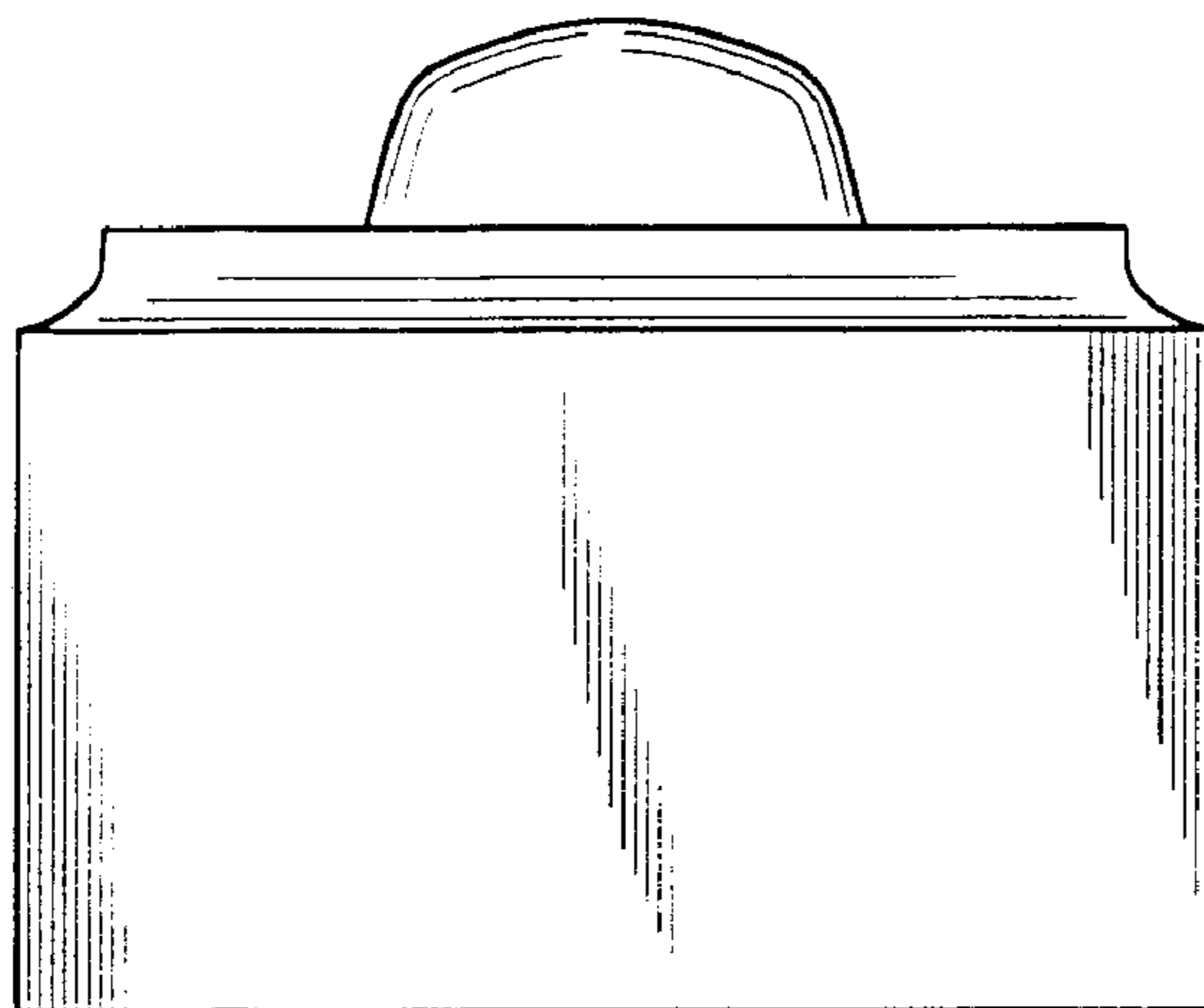


FIG. 52

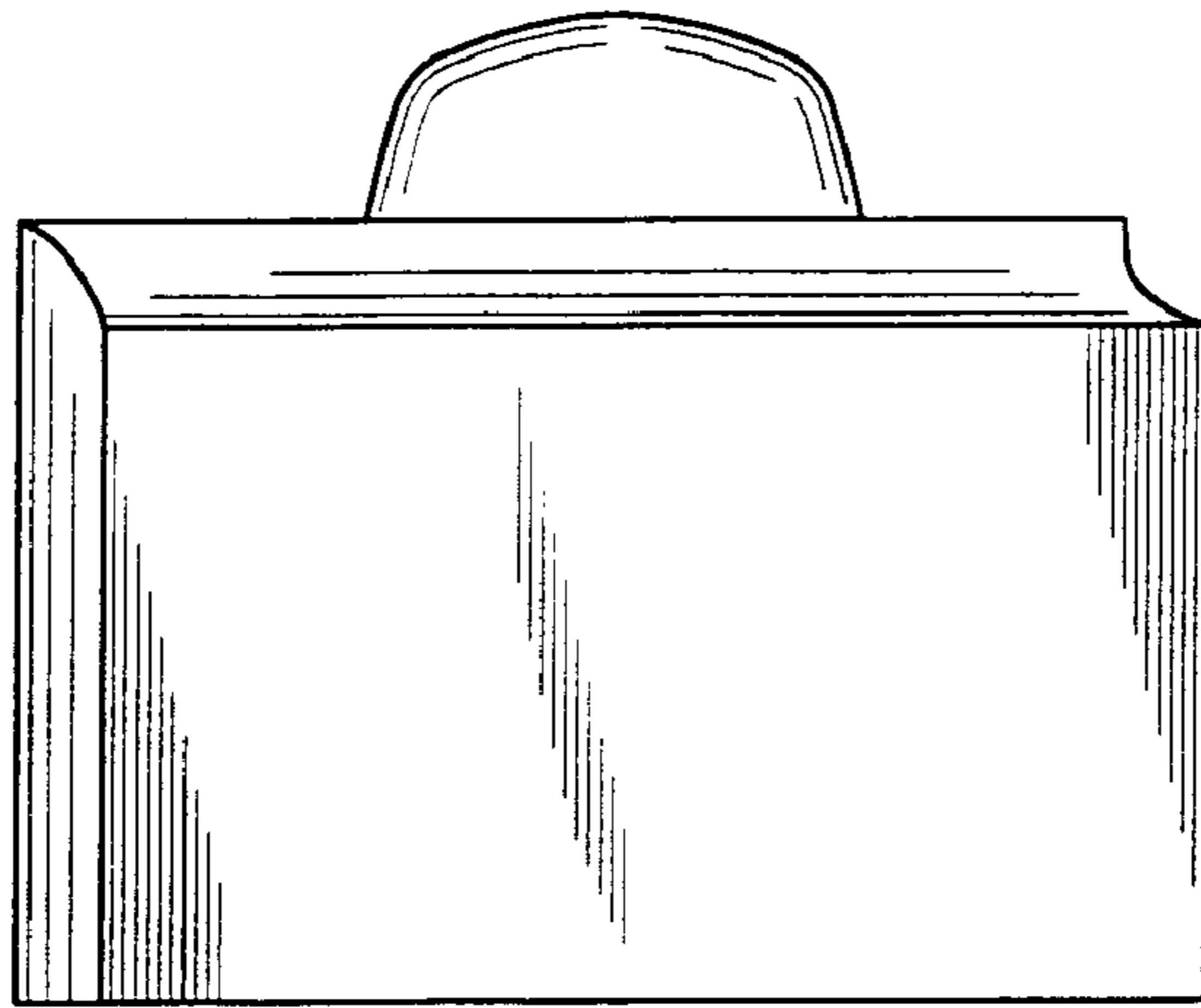


FIG. 53

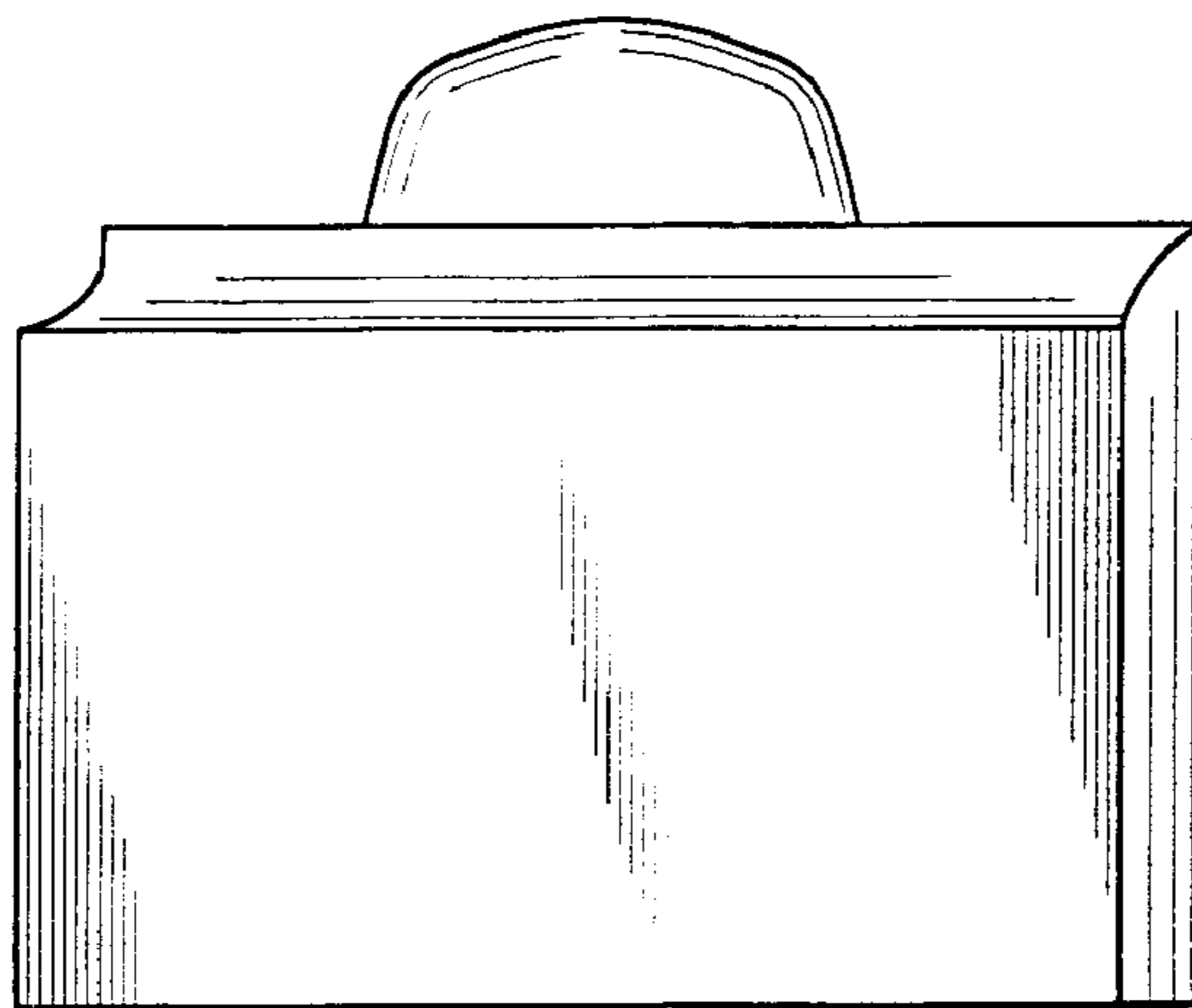


FIG. 54

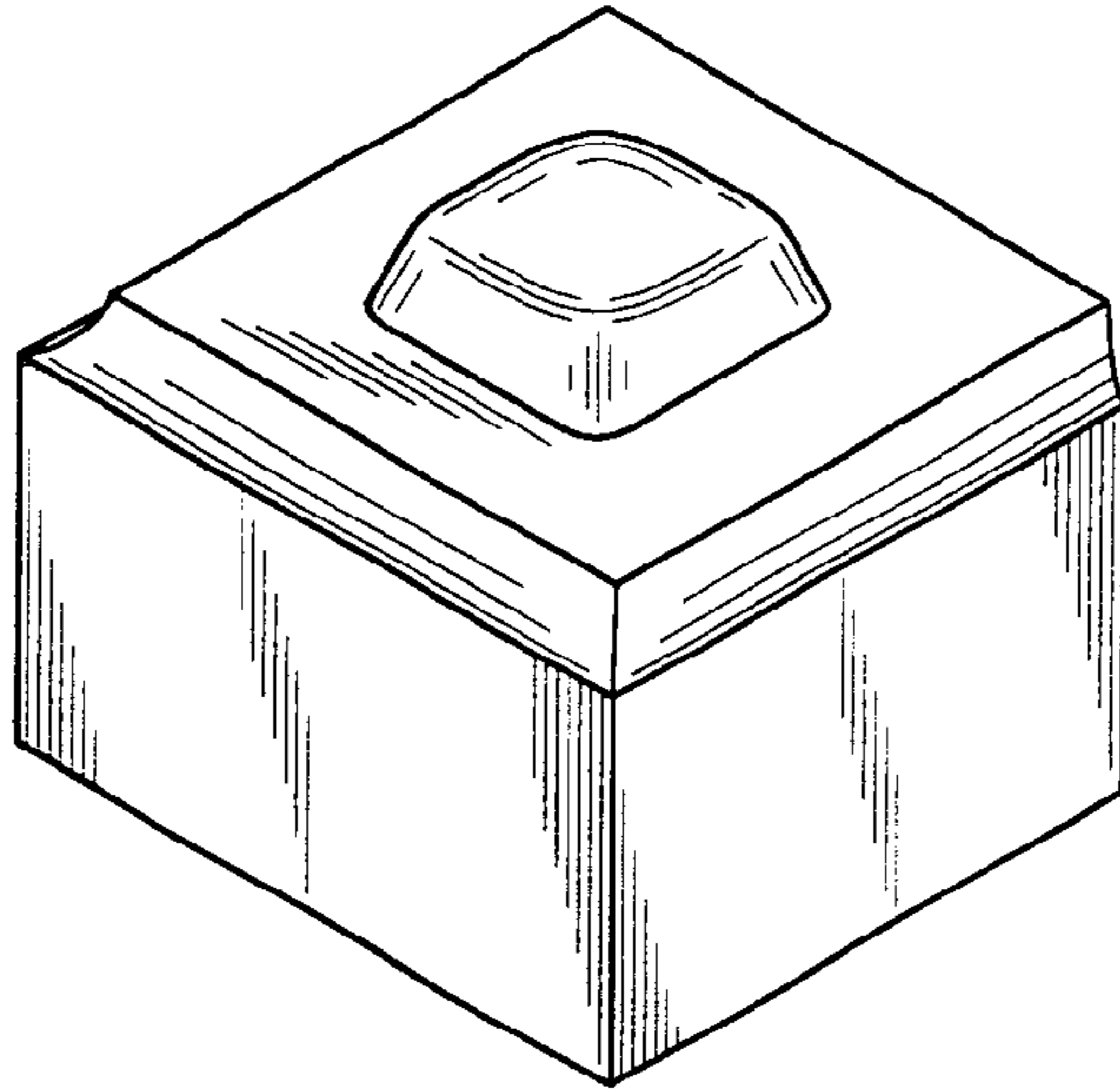


FIG. 55

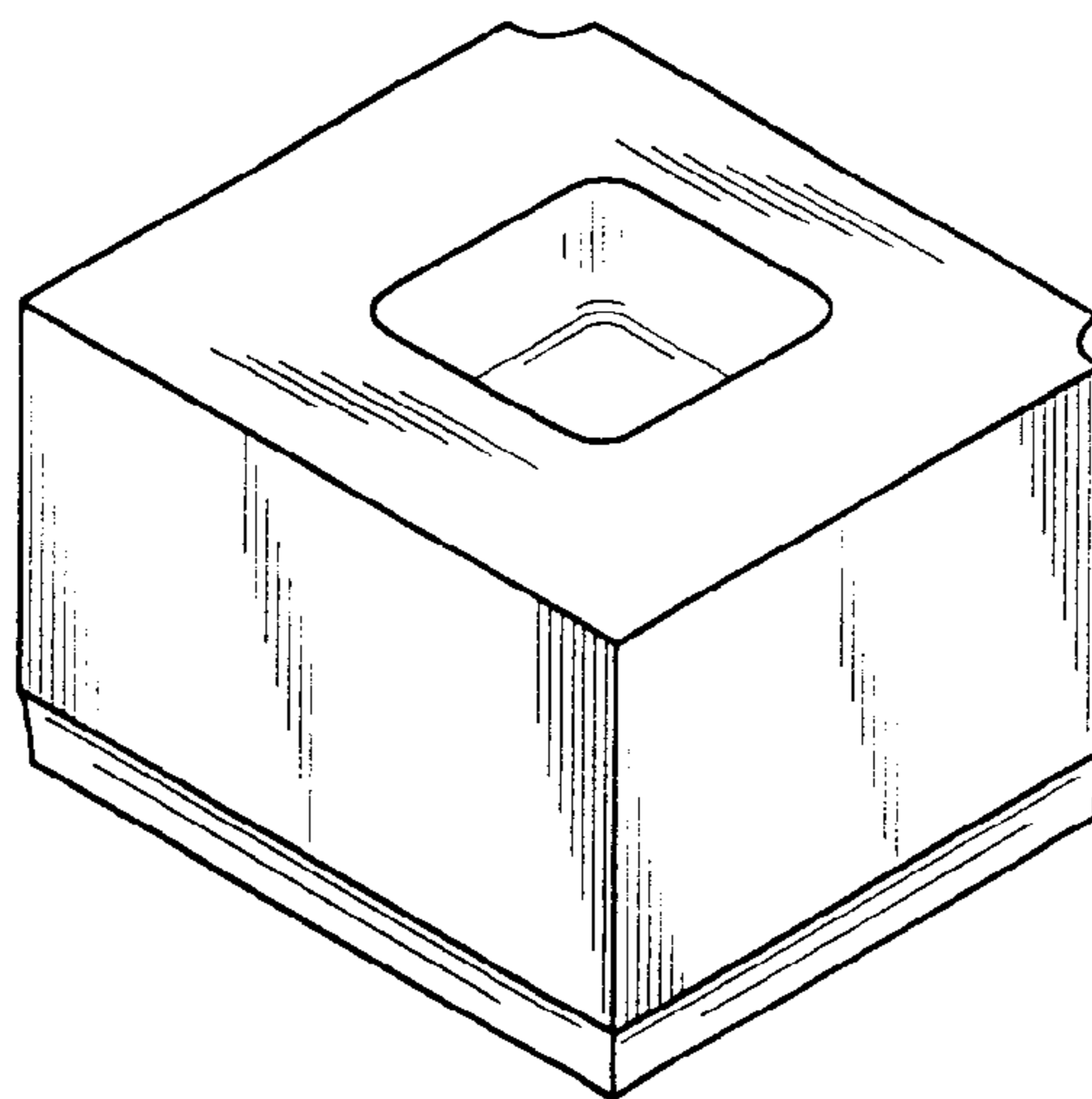


FIG. 56

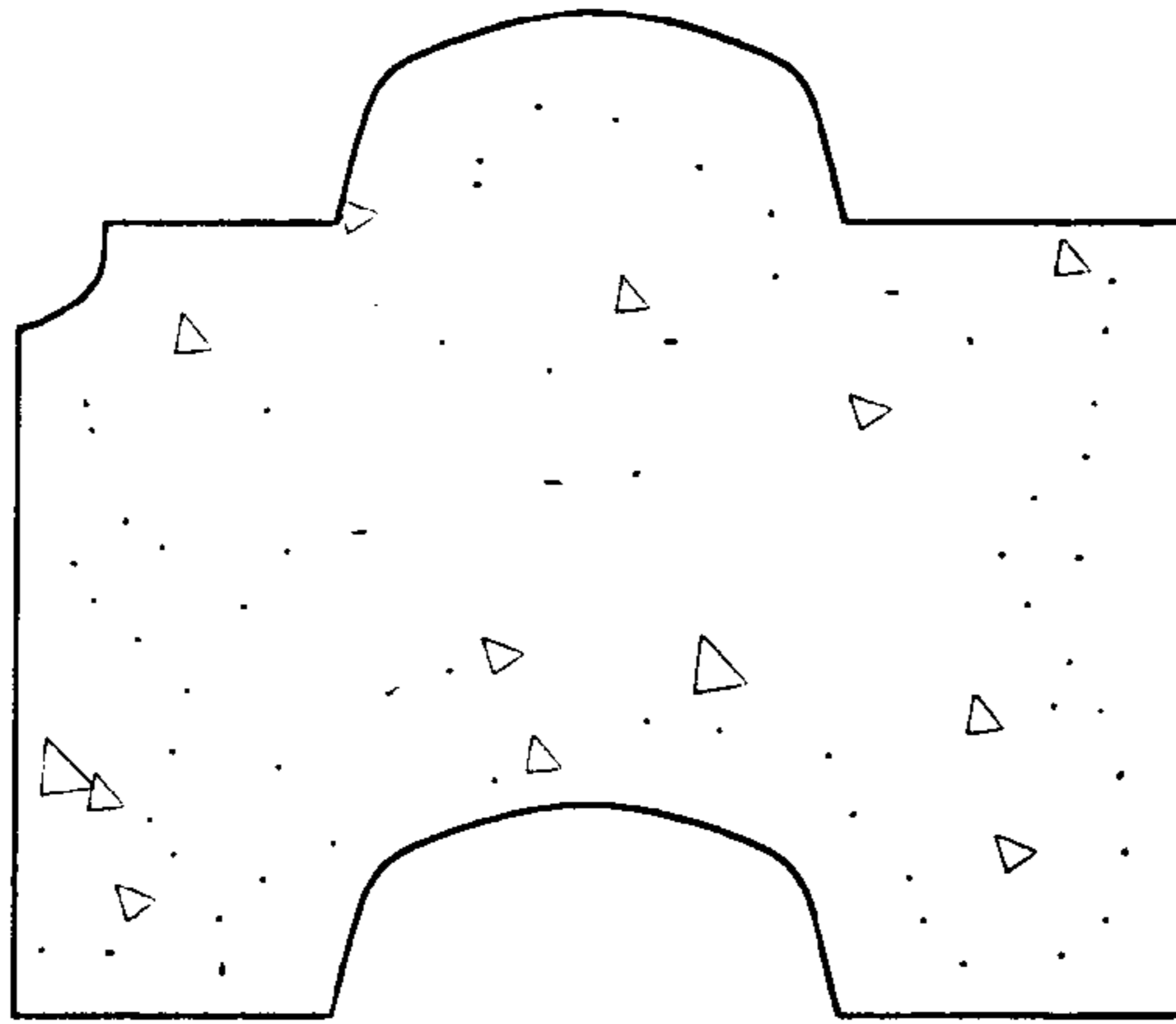


FIG. 57

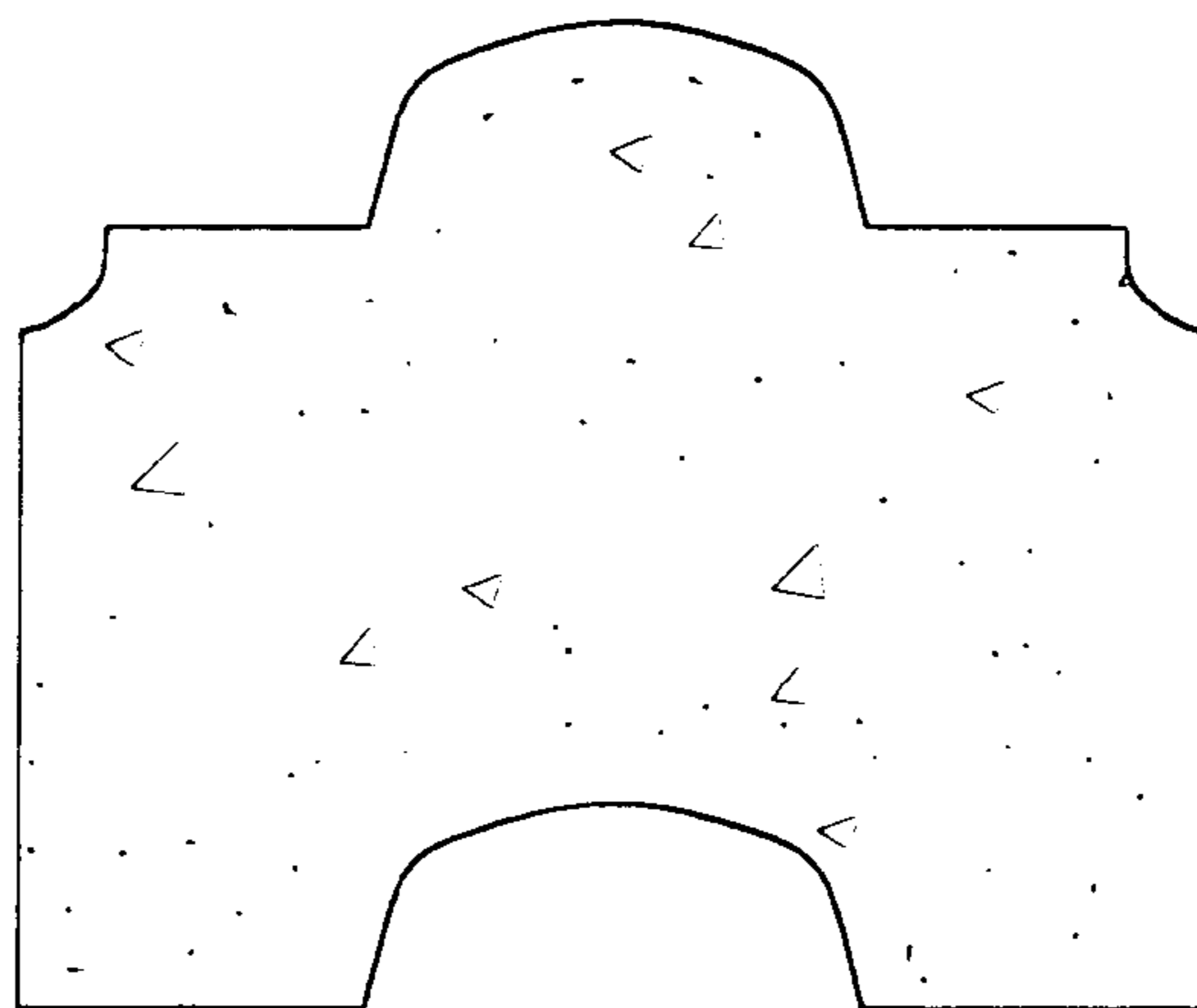


FIG. 58

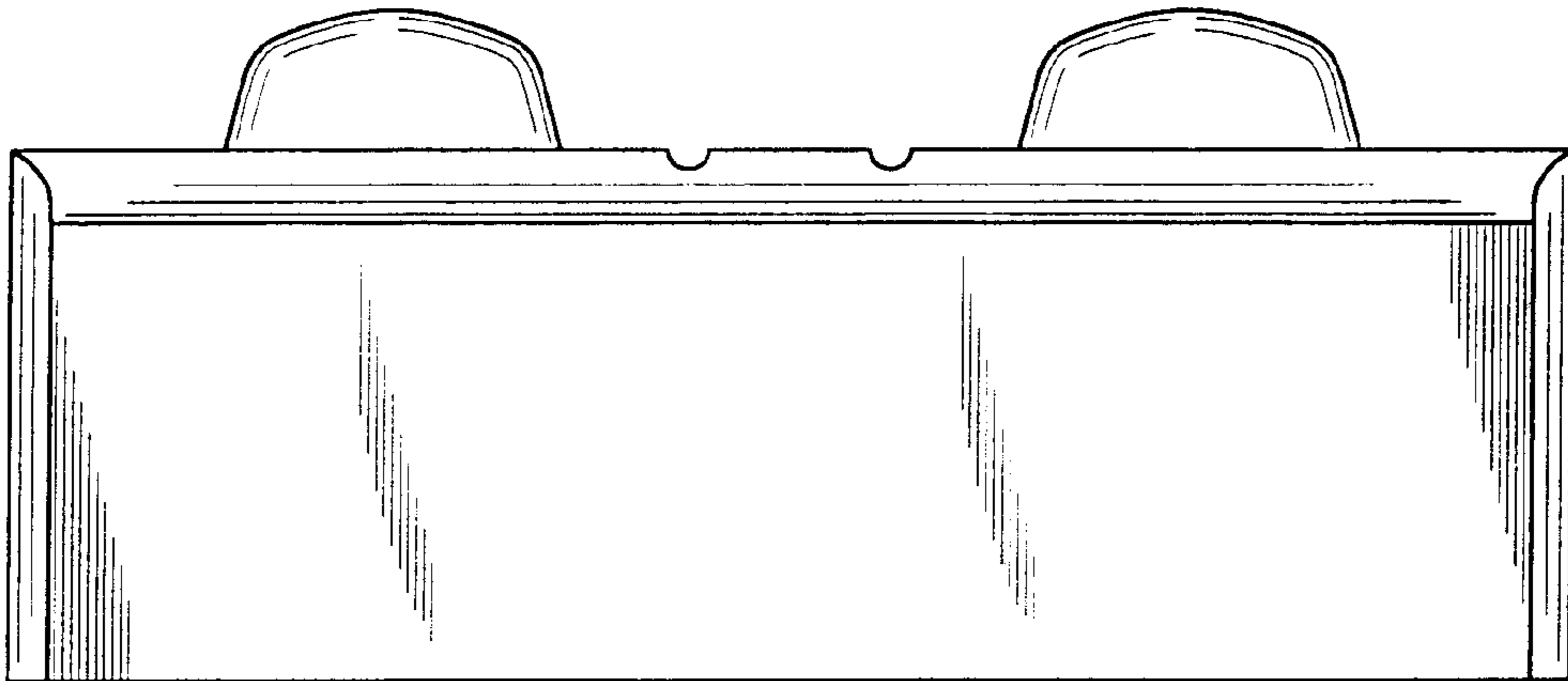


FIG. 59

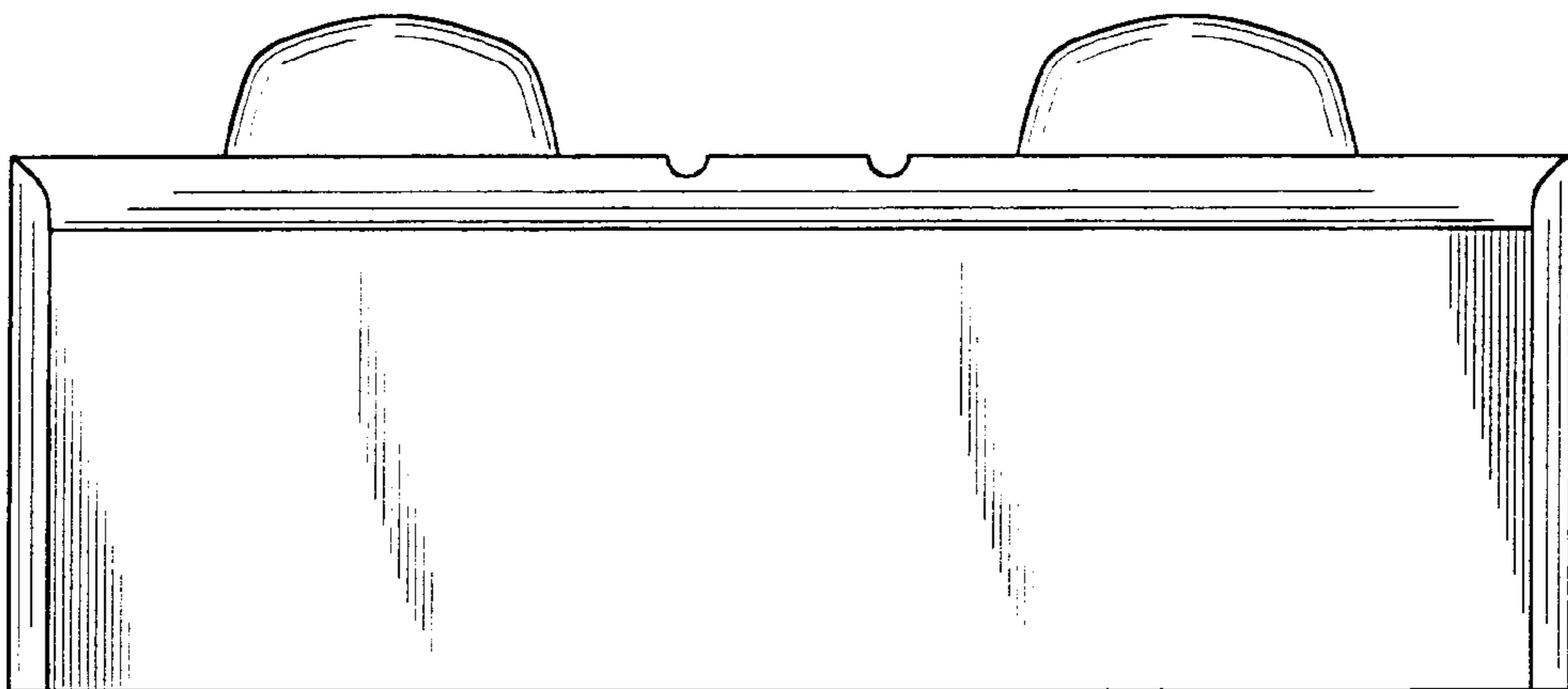


FIG. 60

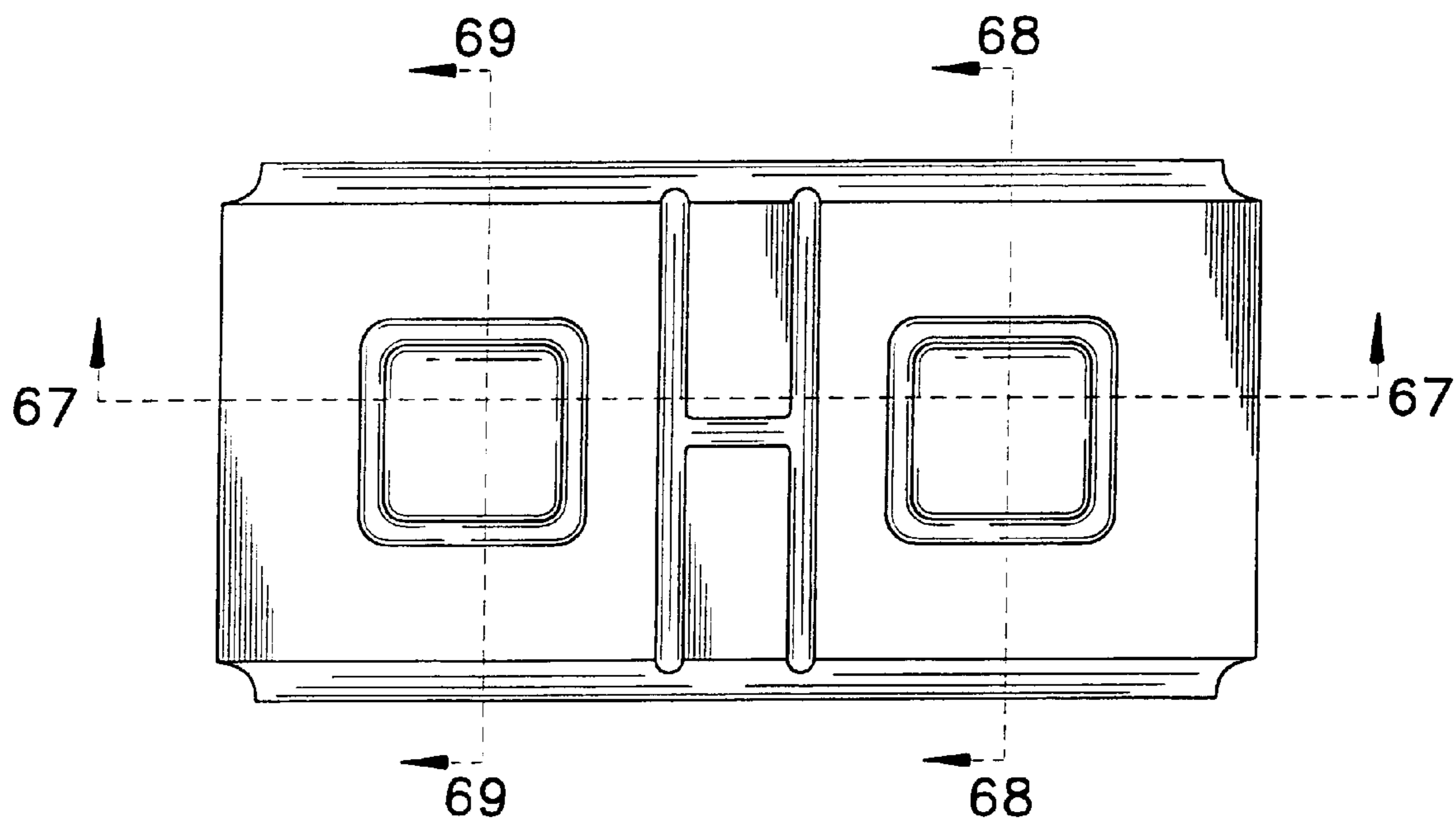


FIG. 61

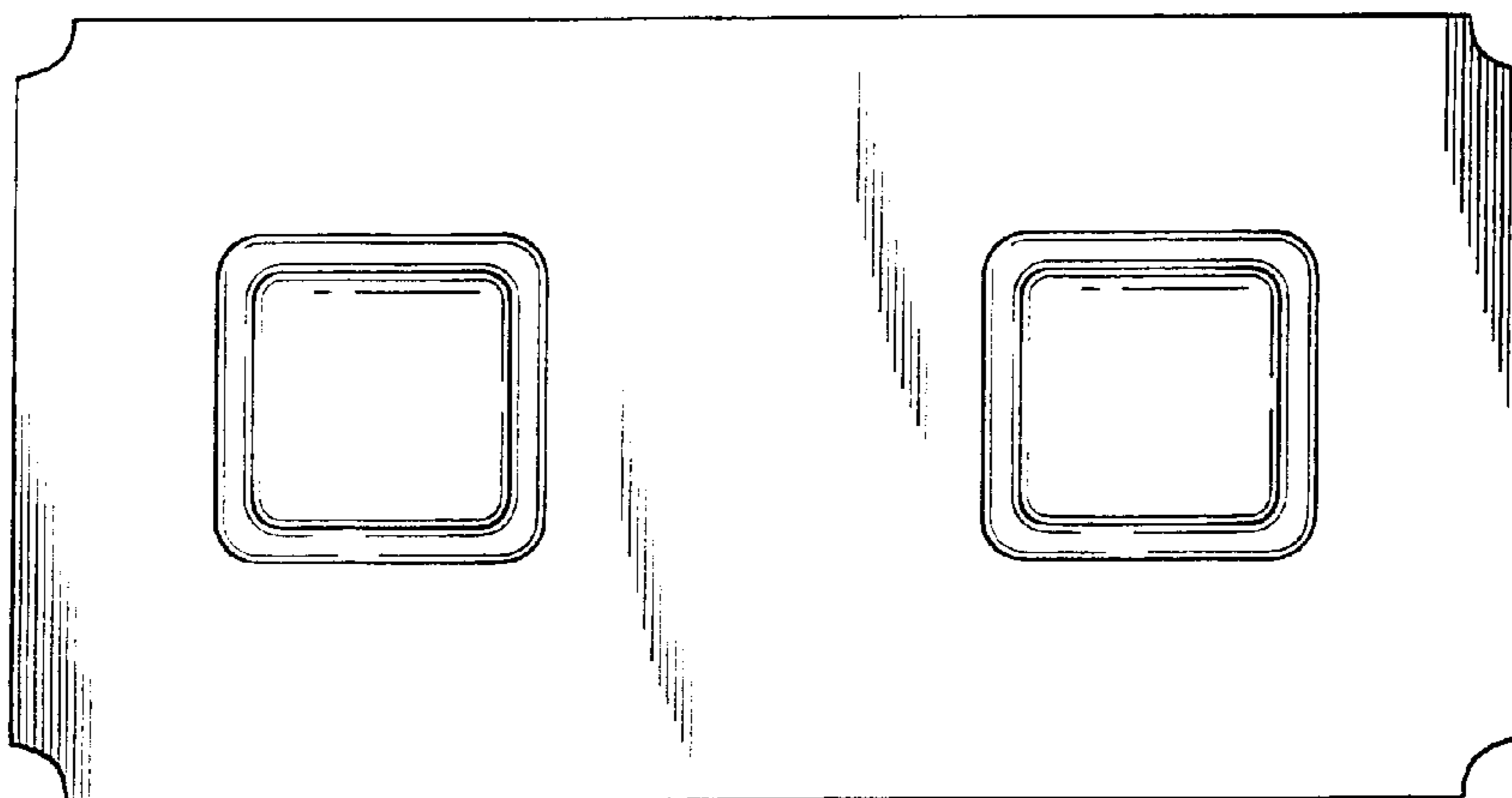


FIG. 62

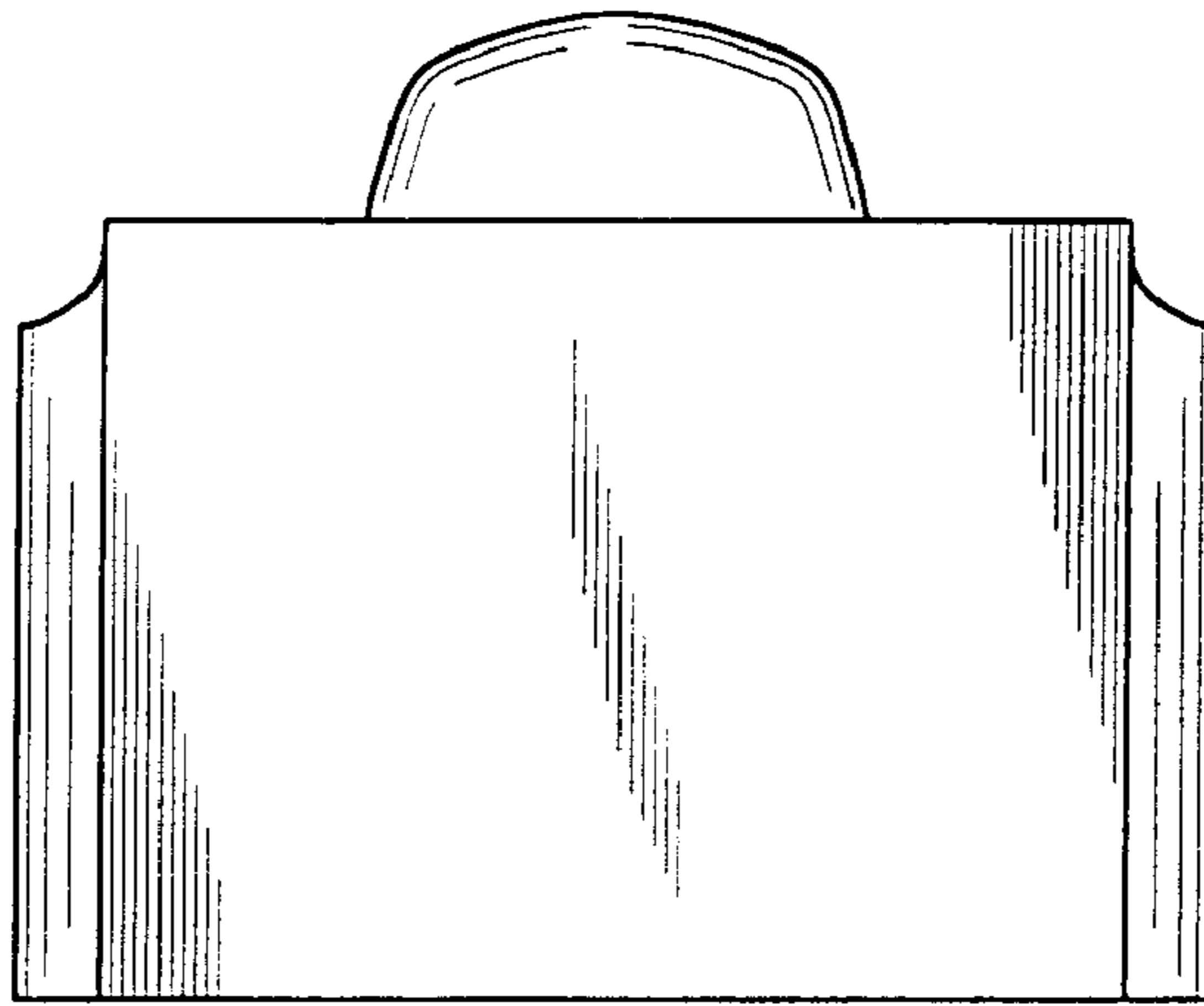
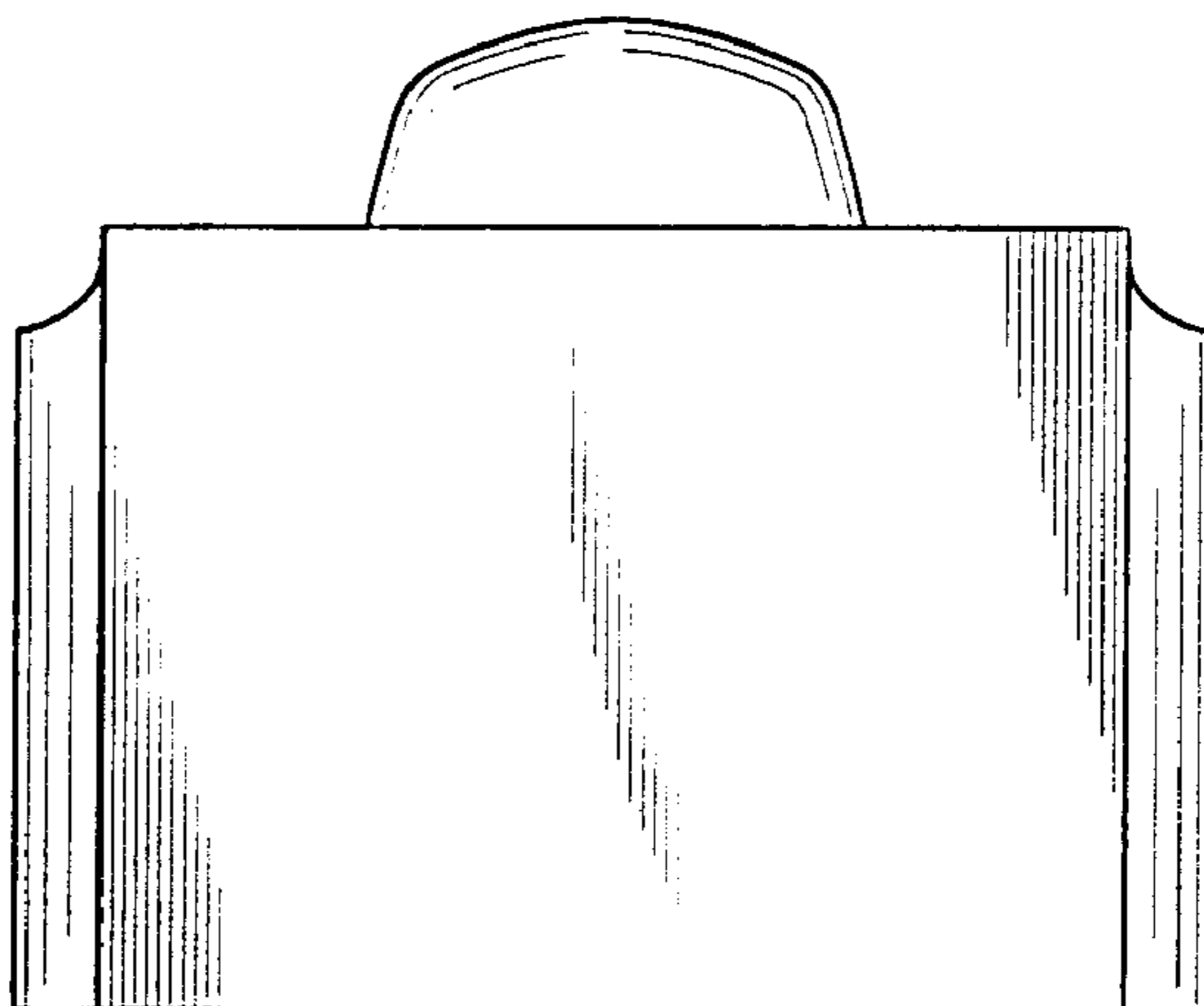


FIG. 63



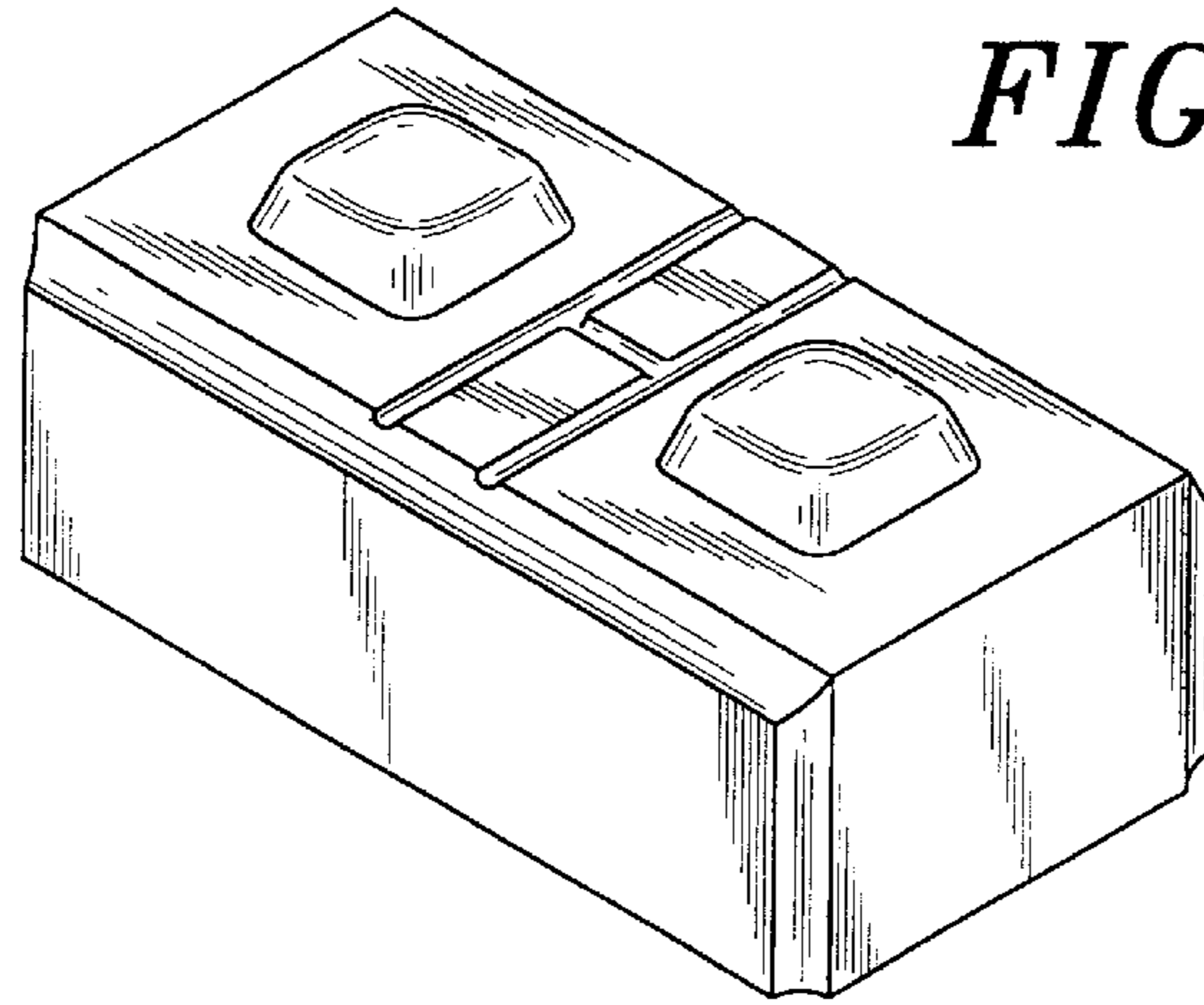


FIG. 64

FIG. 65

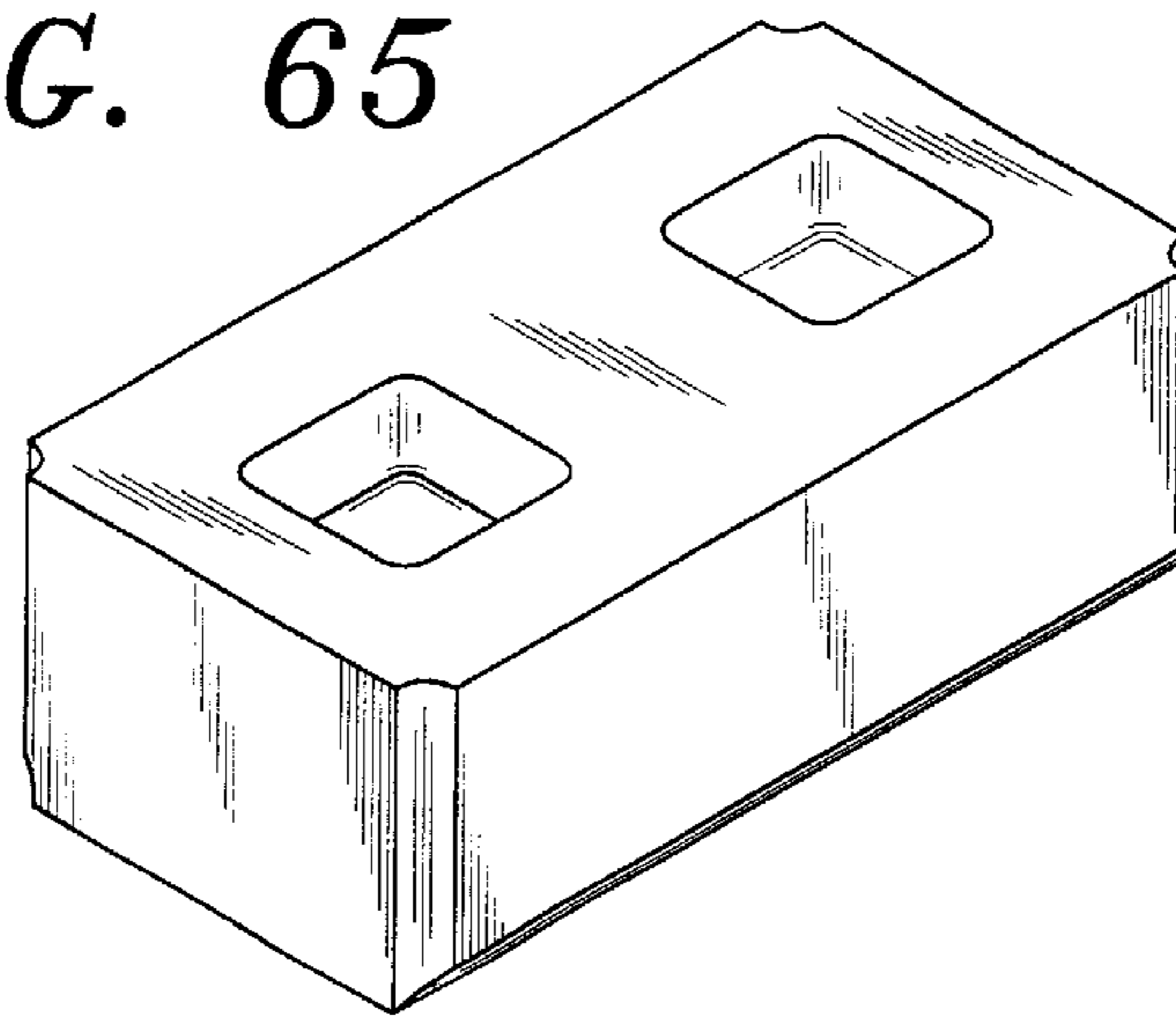


FIG. 66

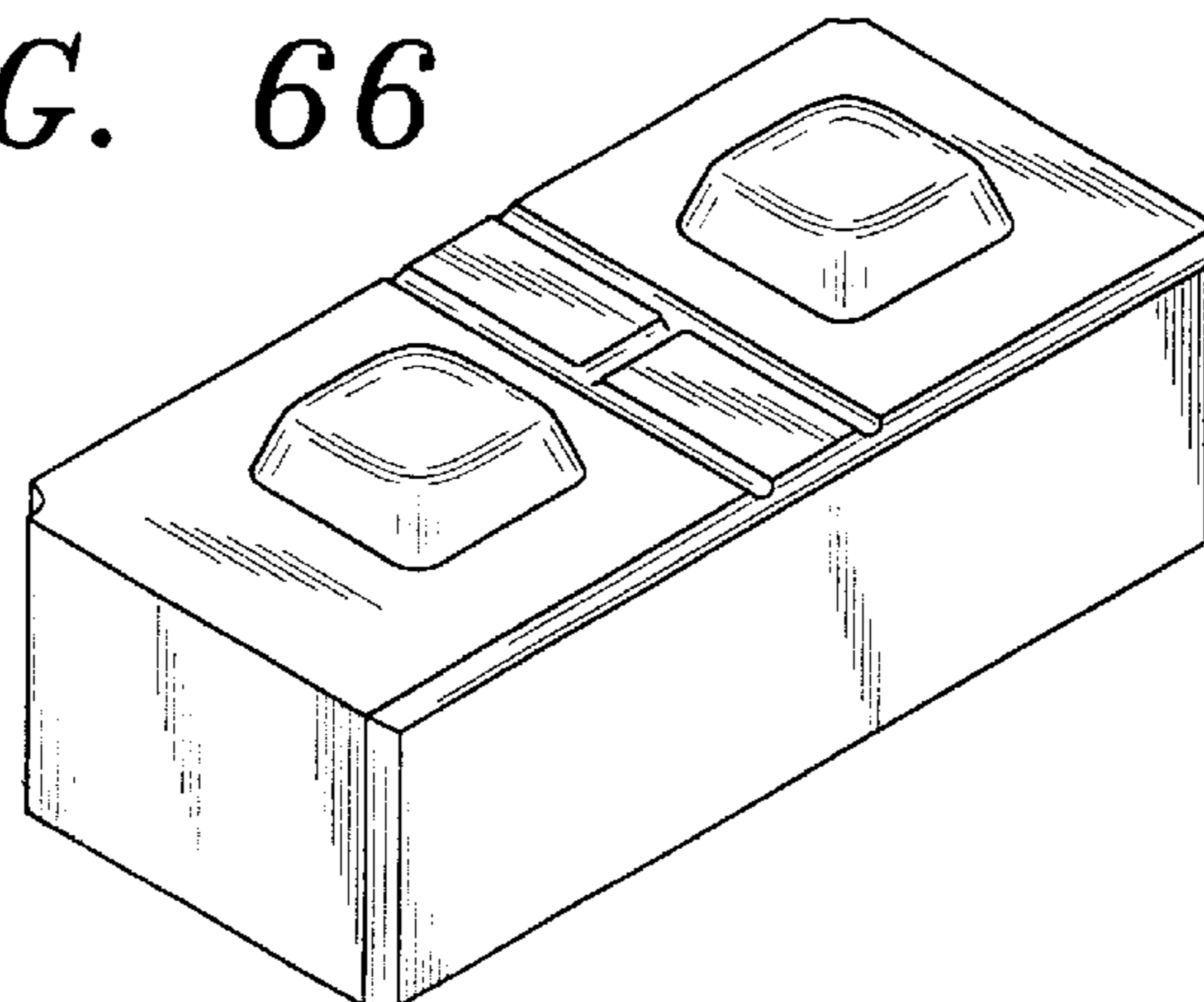


FIG. 67

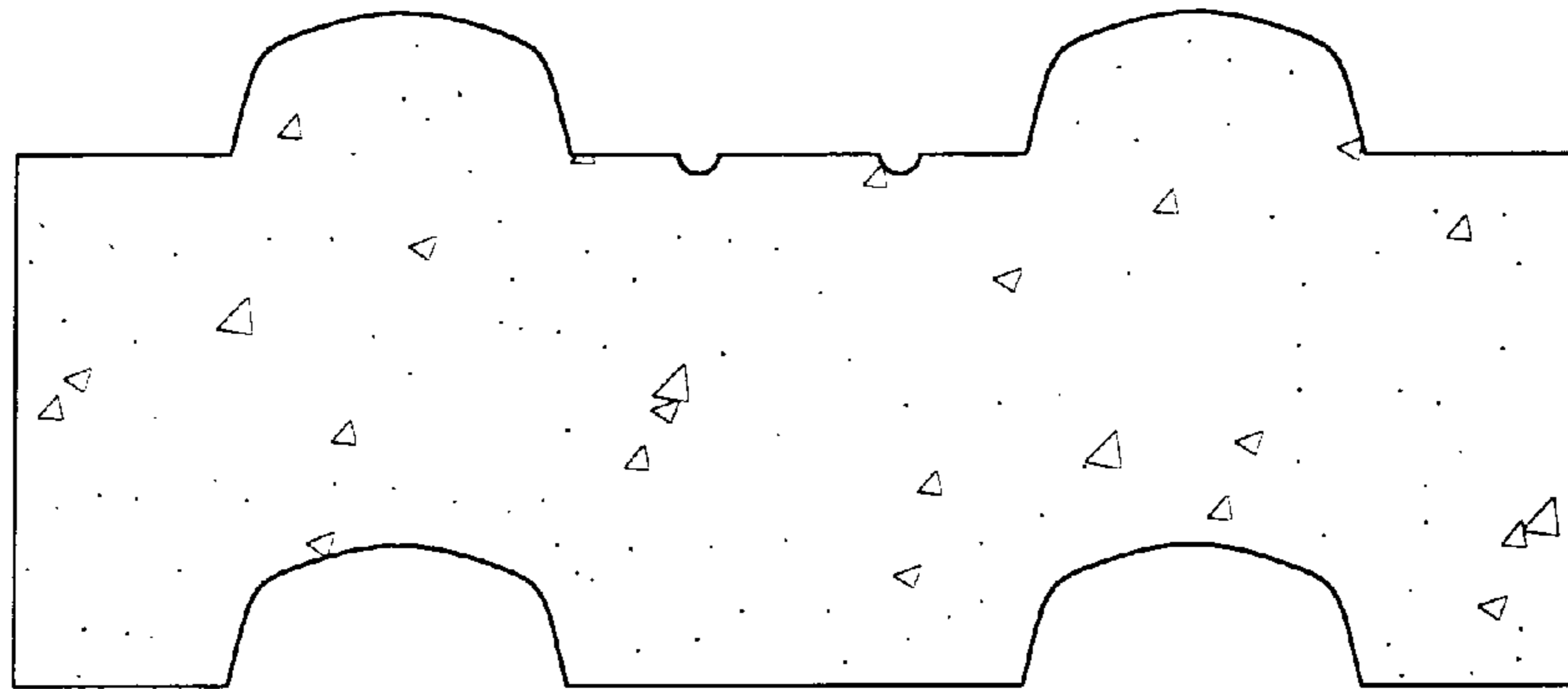


FIG. 68

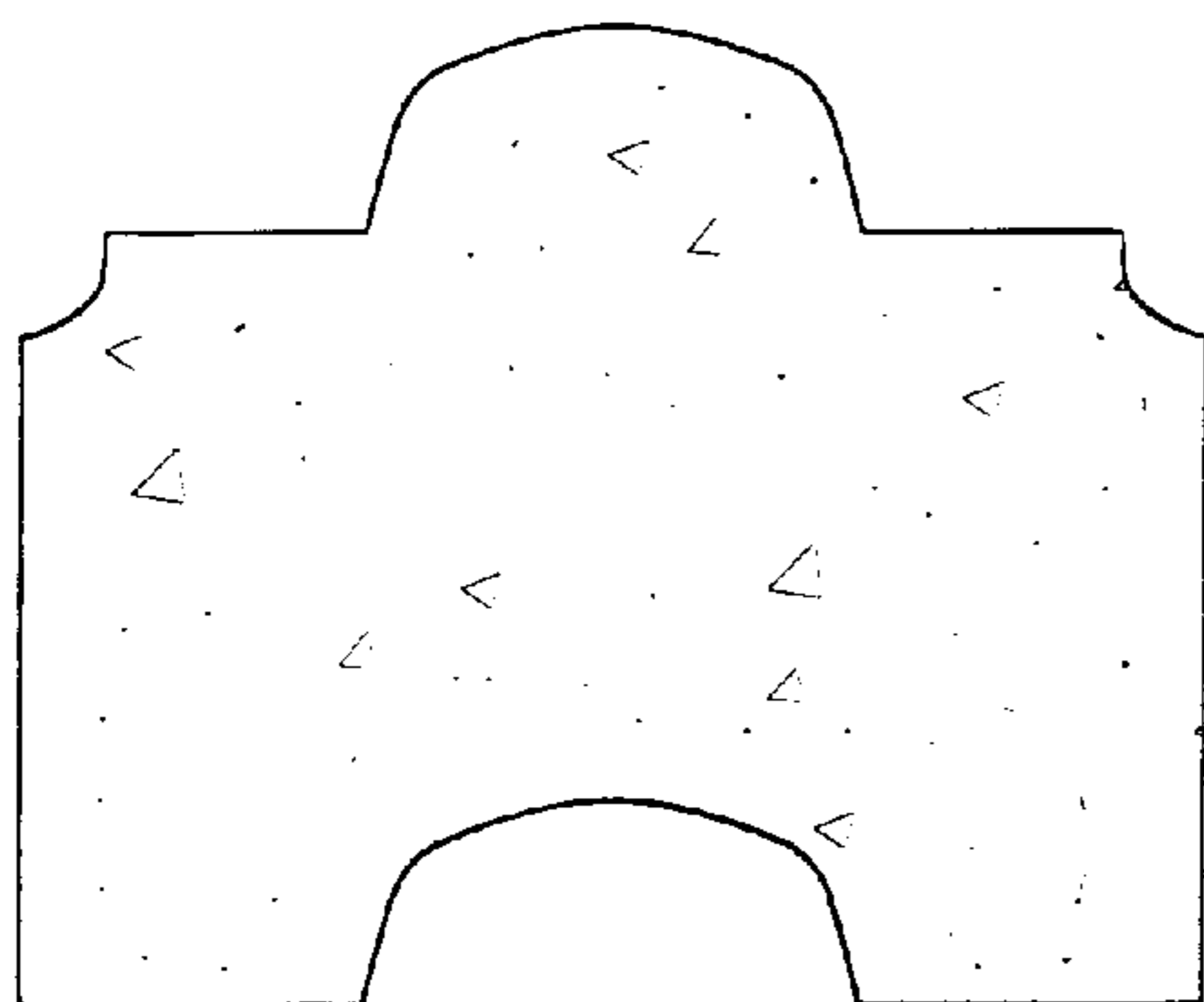


FIG. 69

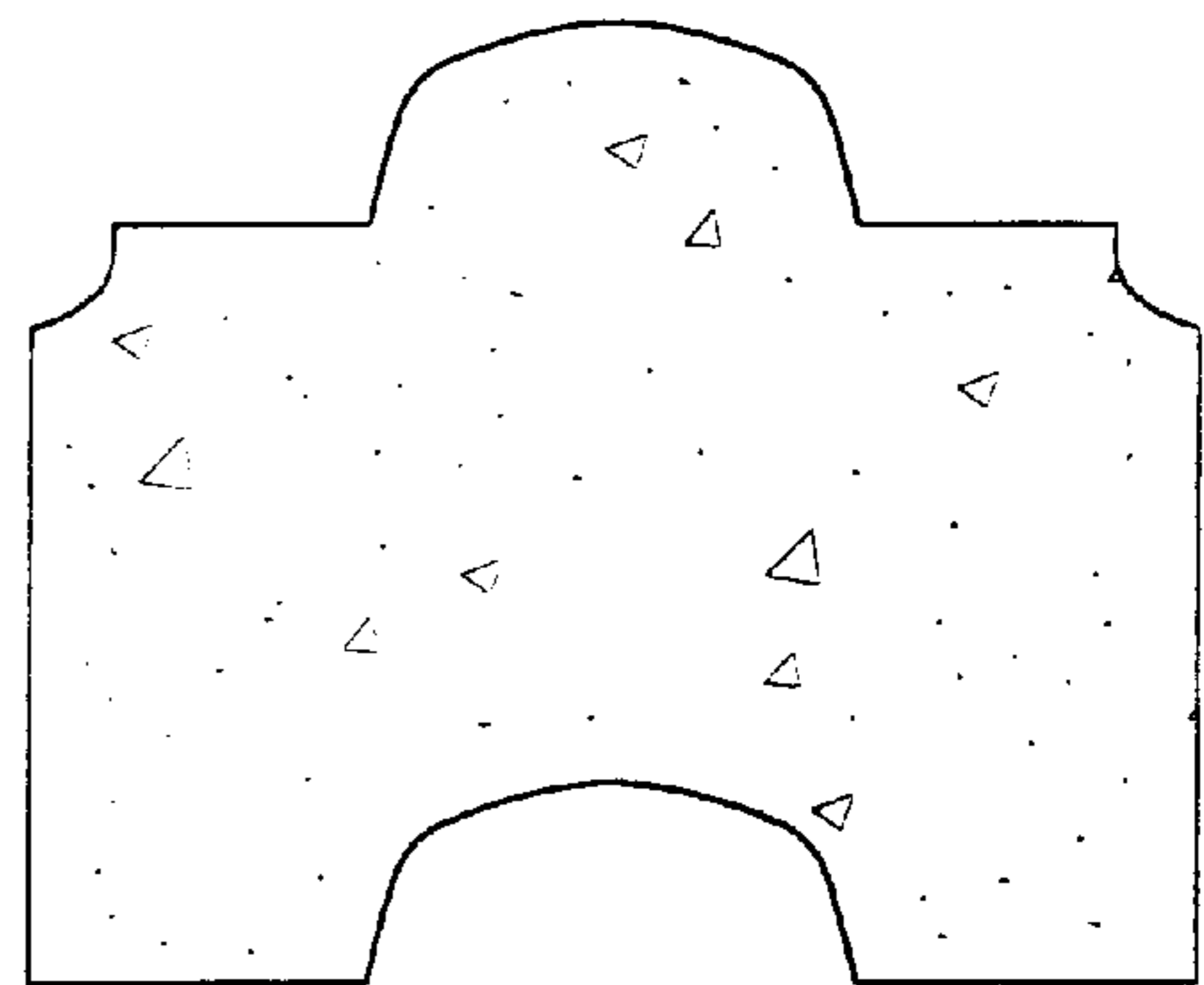


FIG. 70

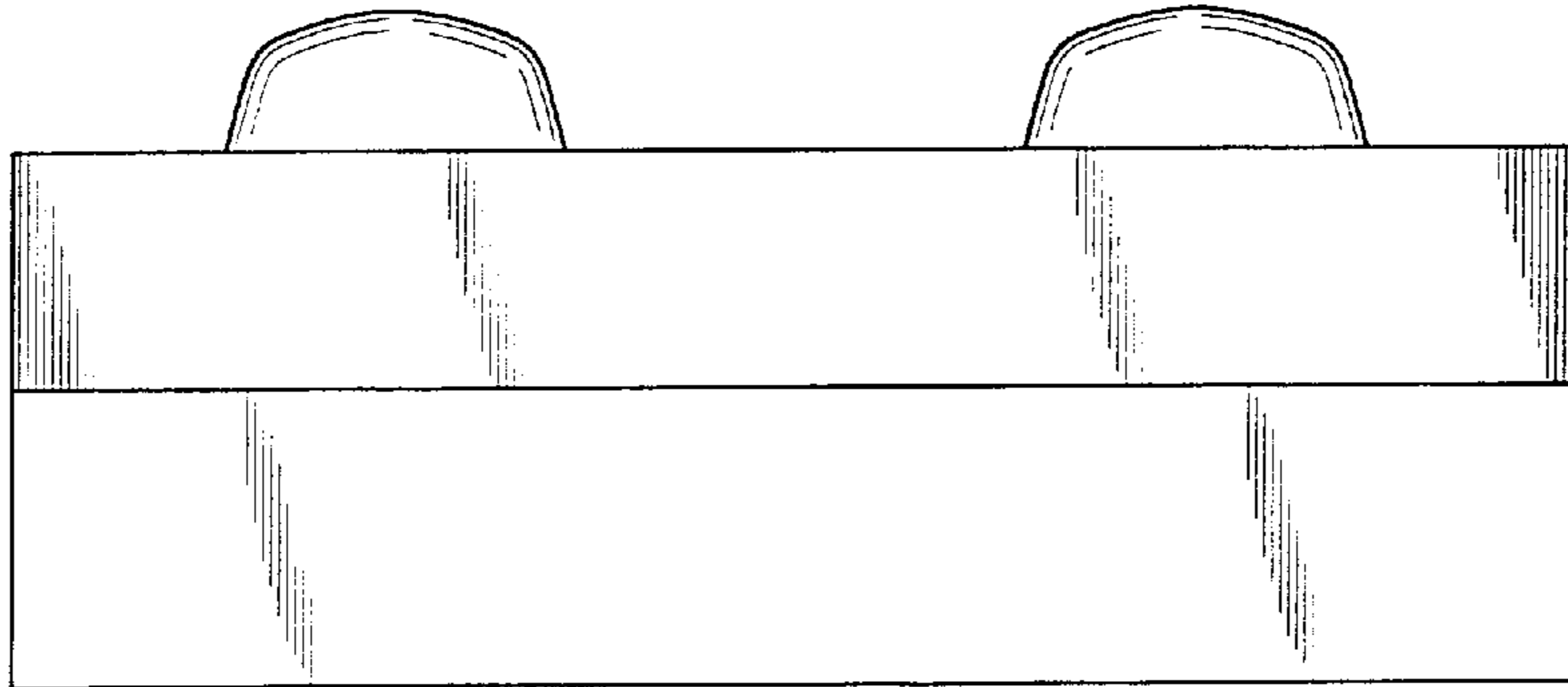


FIG. 71

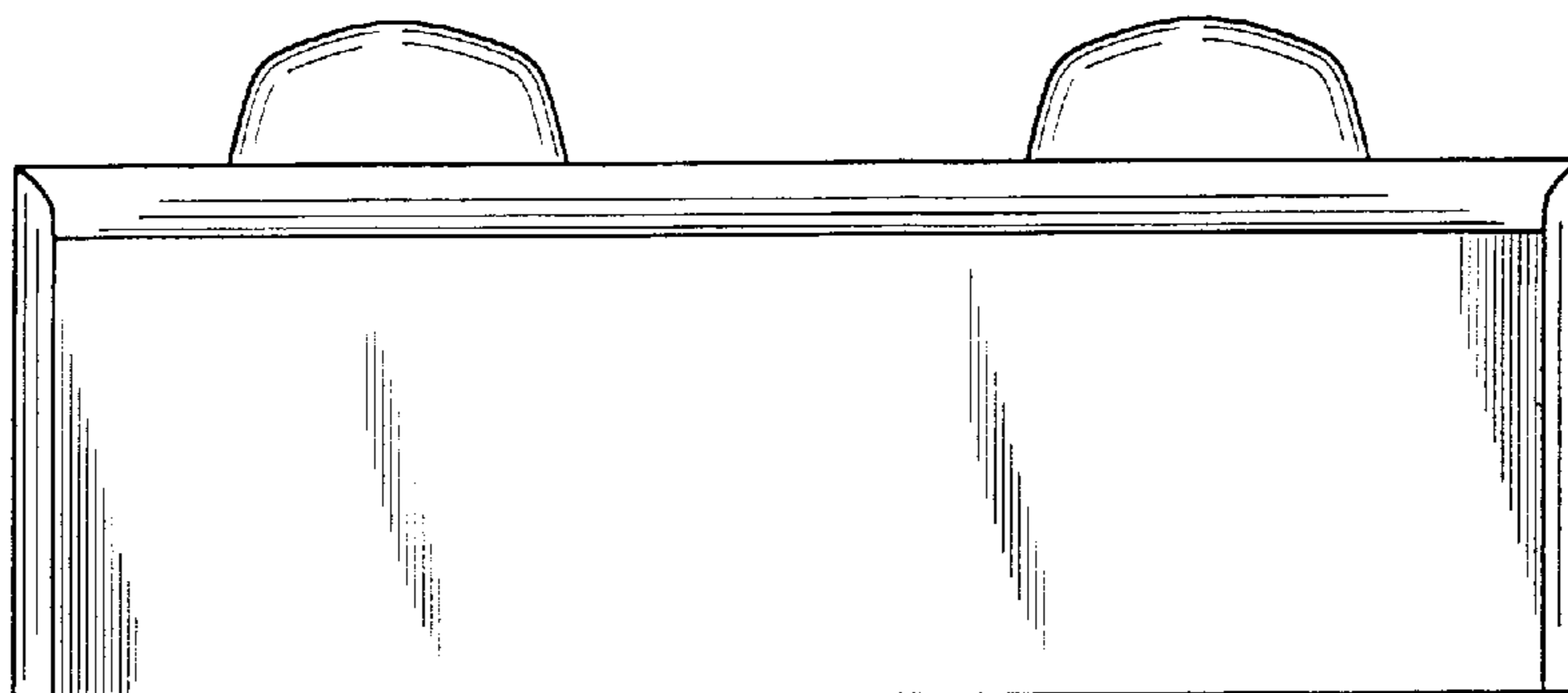


FIG. 74

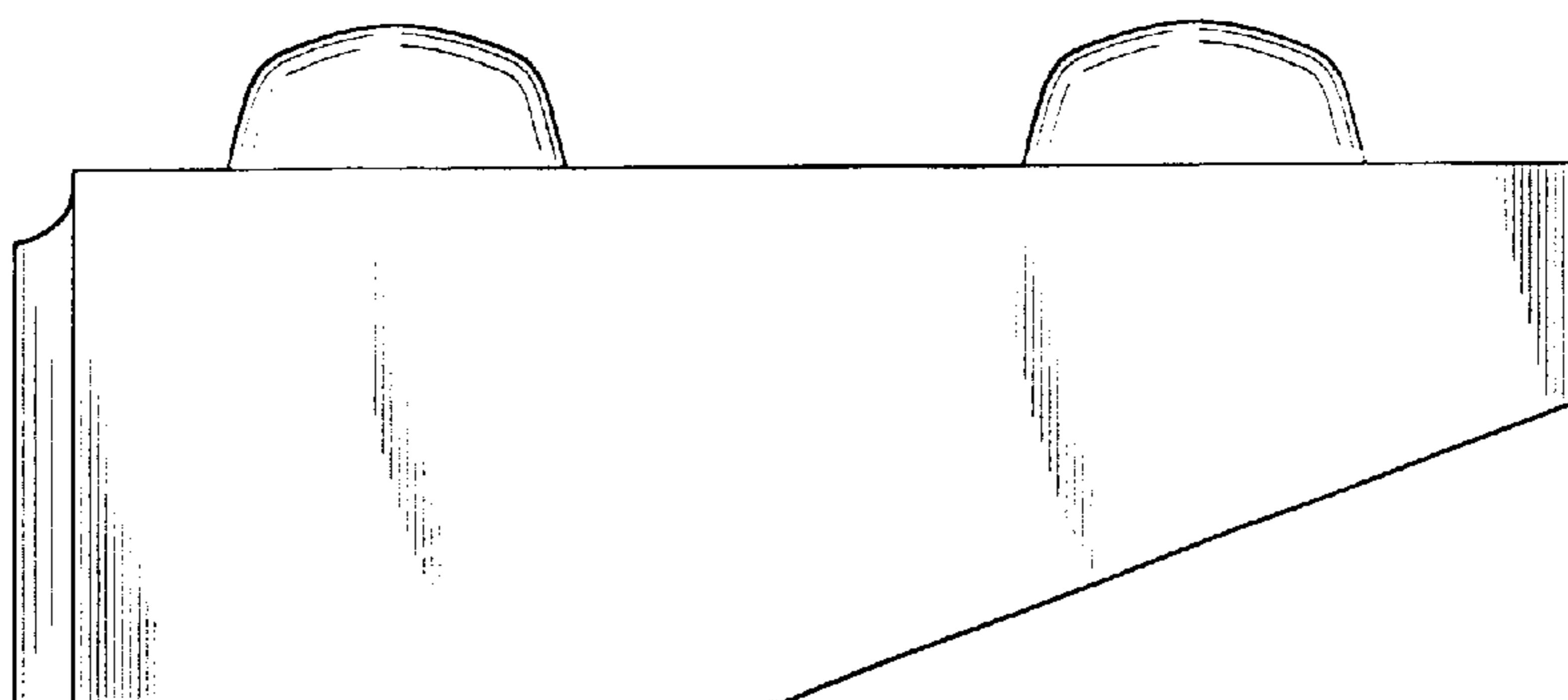


FIG. 72

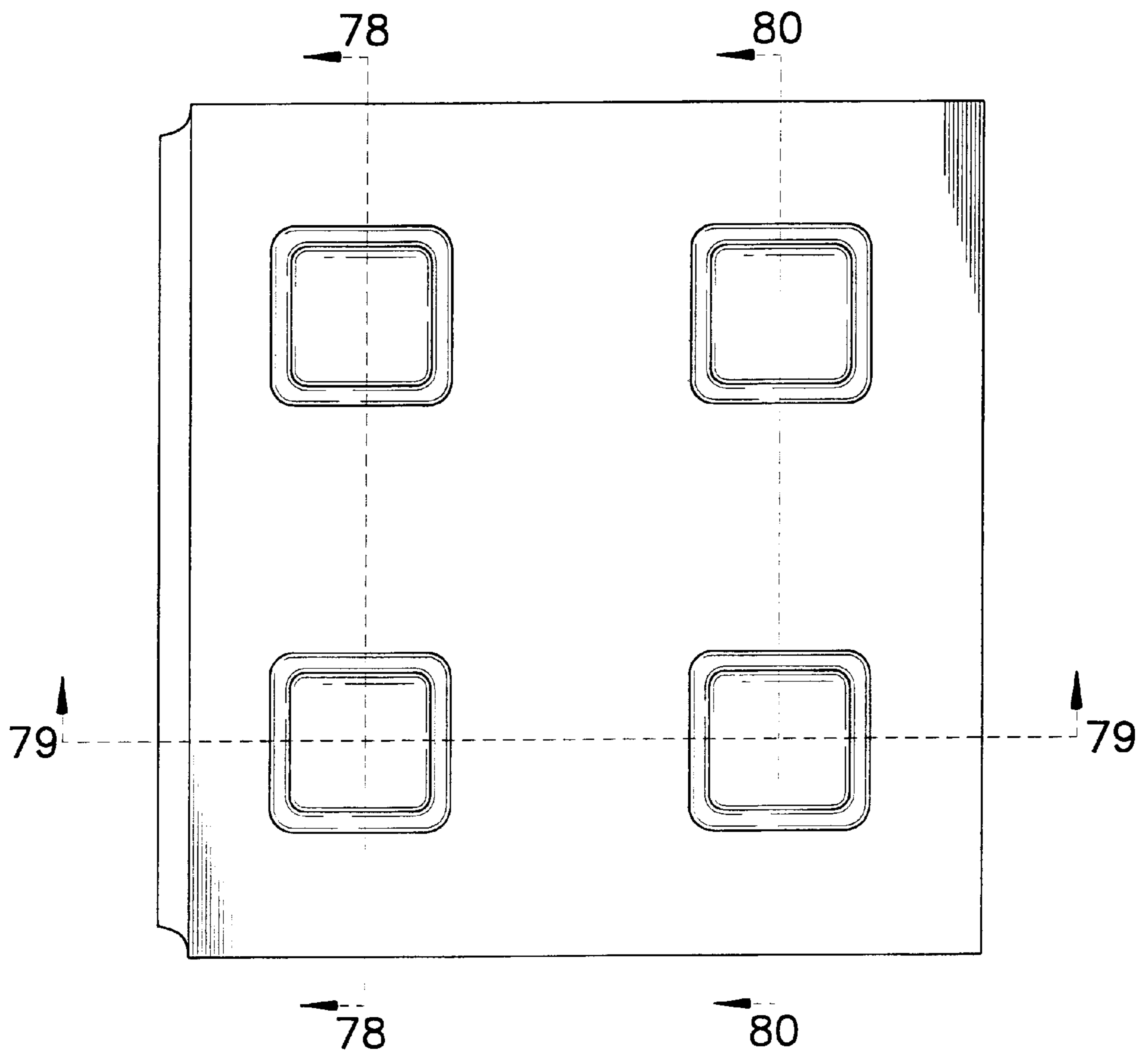


FIG. 73

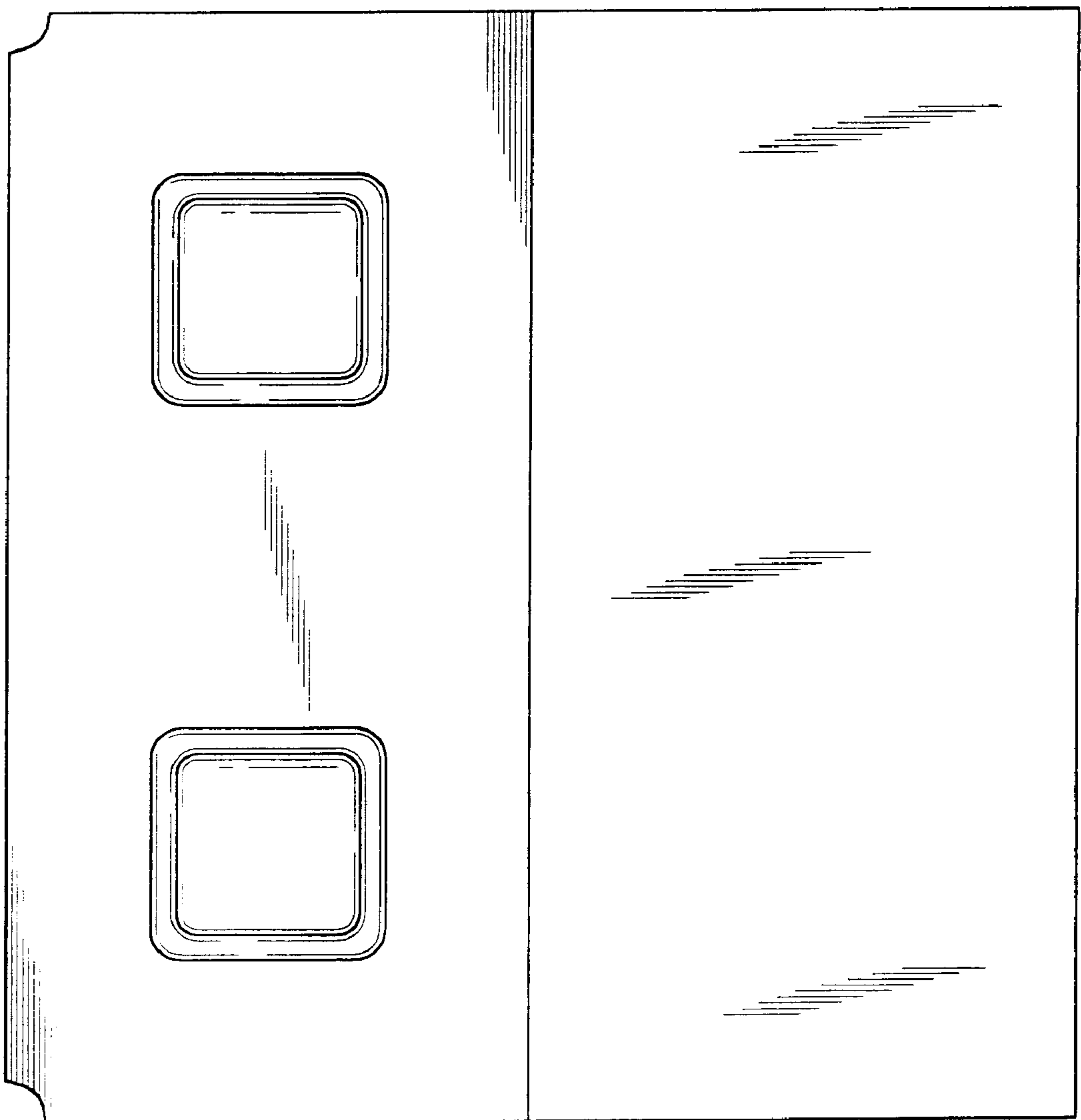


FIG. 75

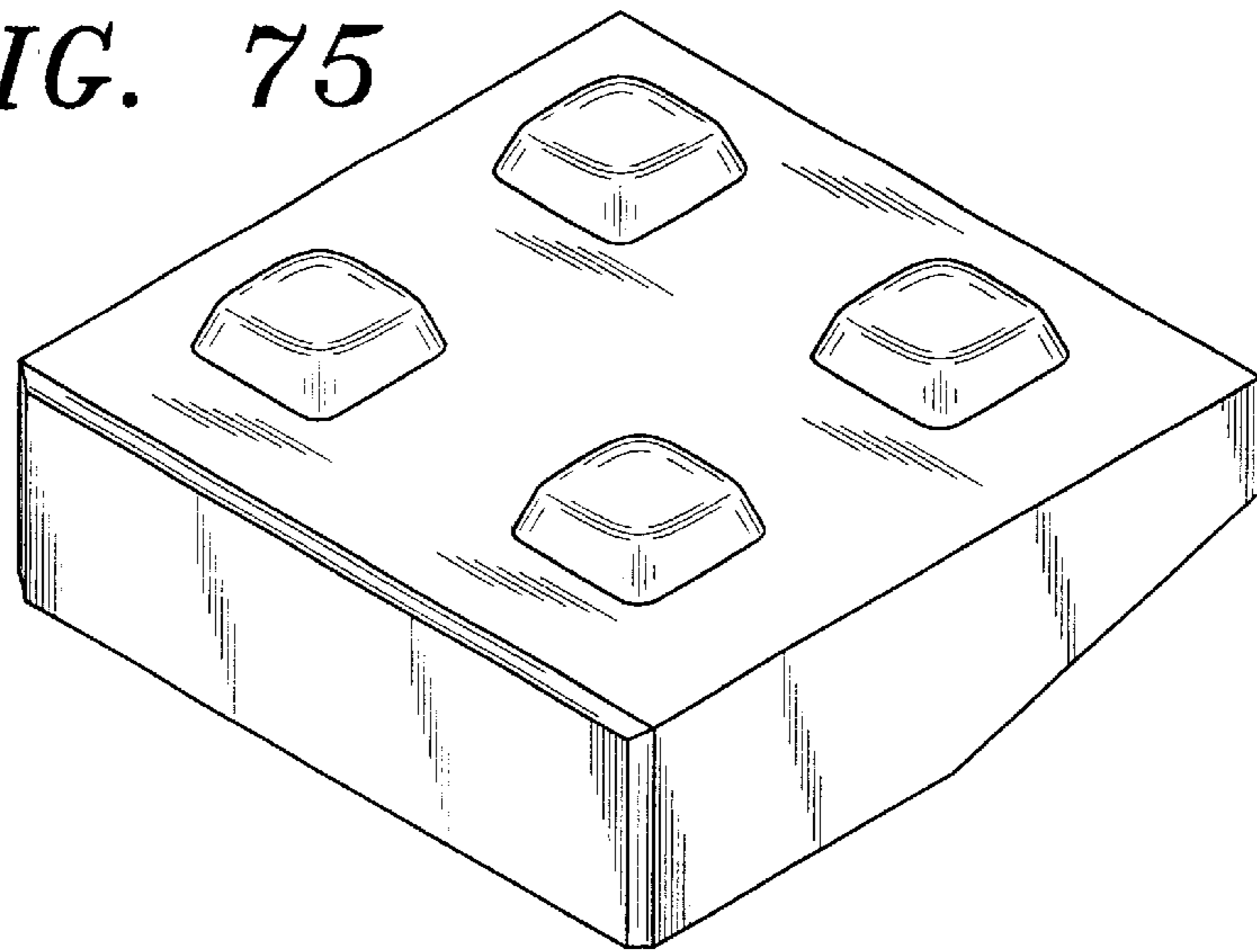


FIG. 76

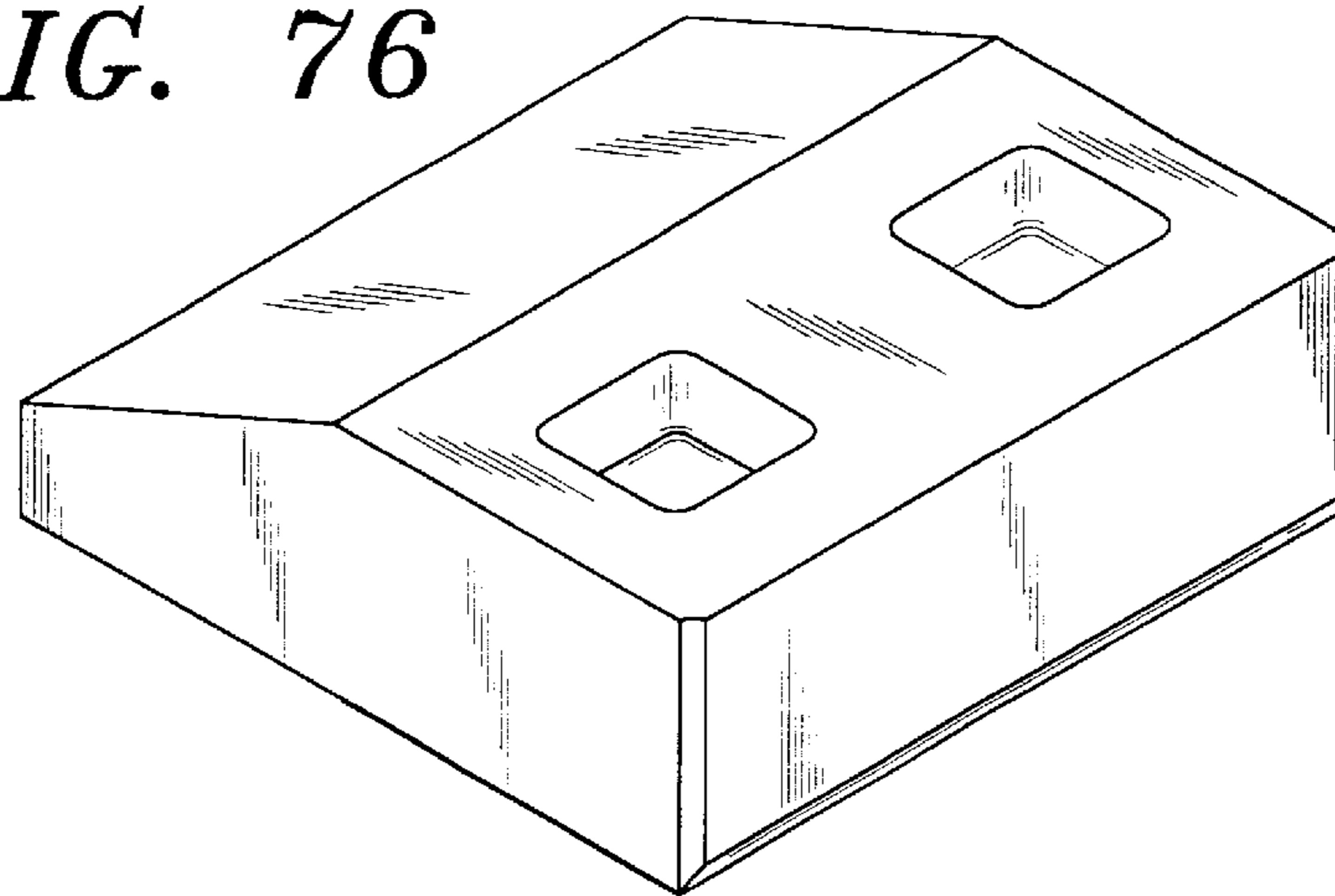


FIG. 77

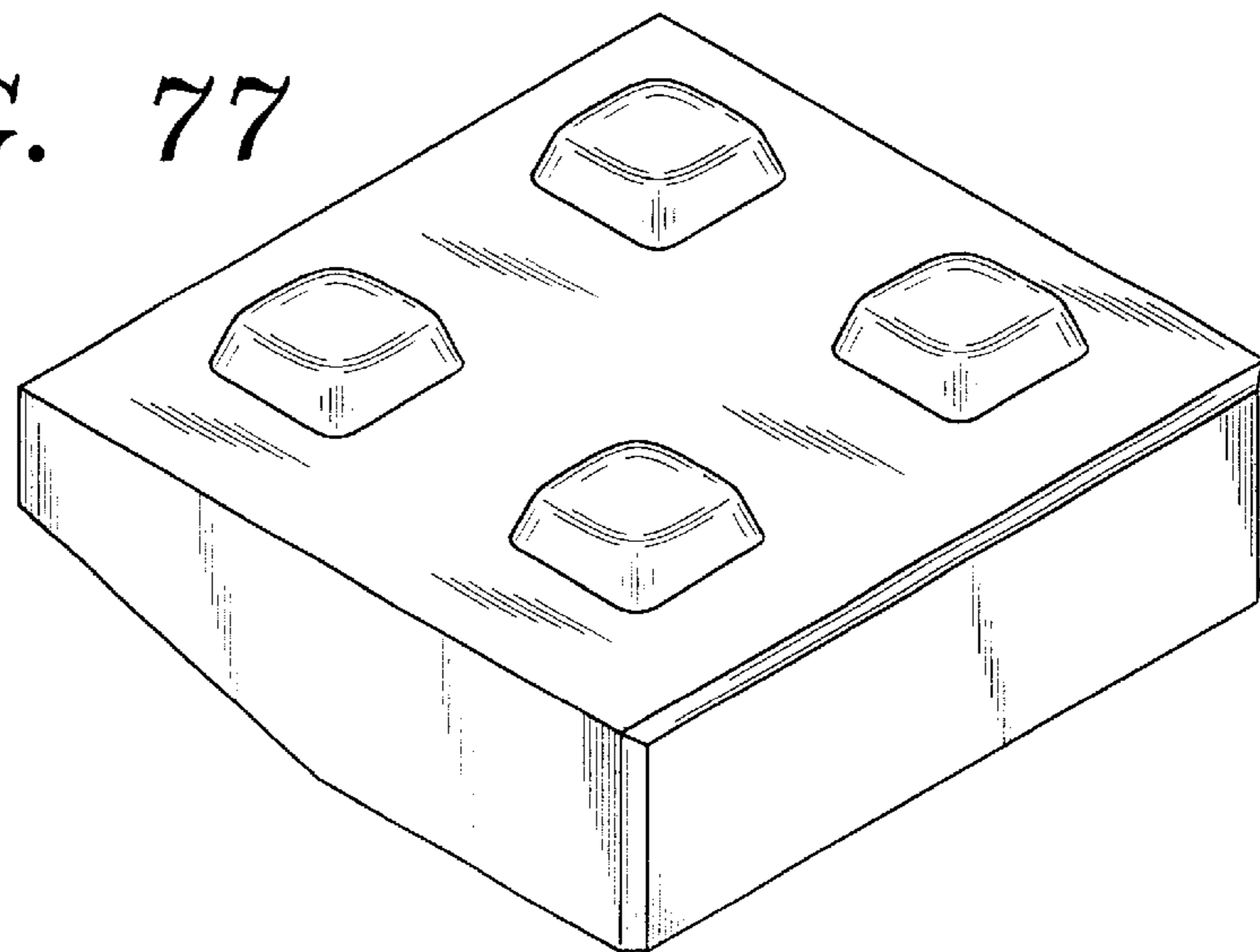


FIG. 78

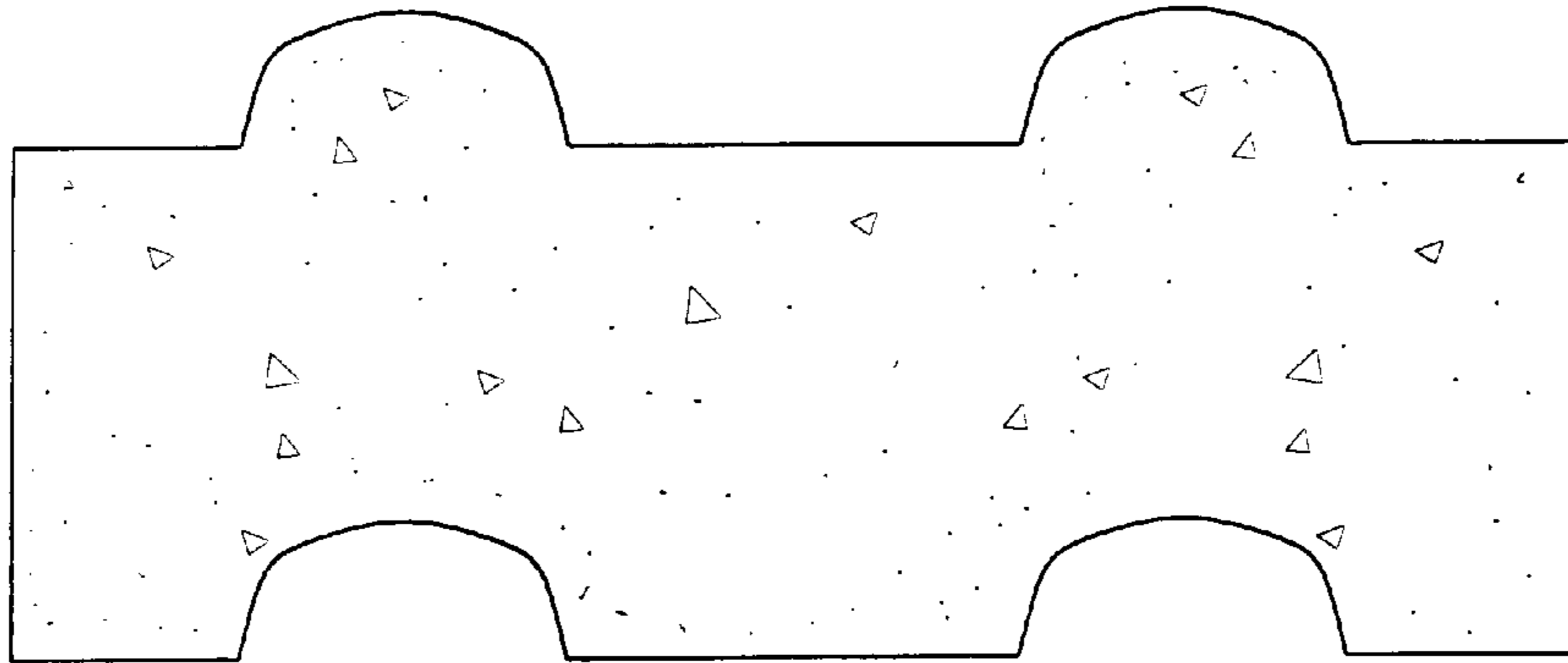


FIG. 79

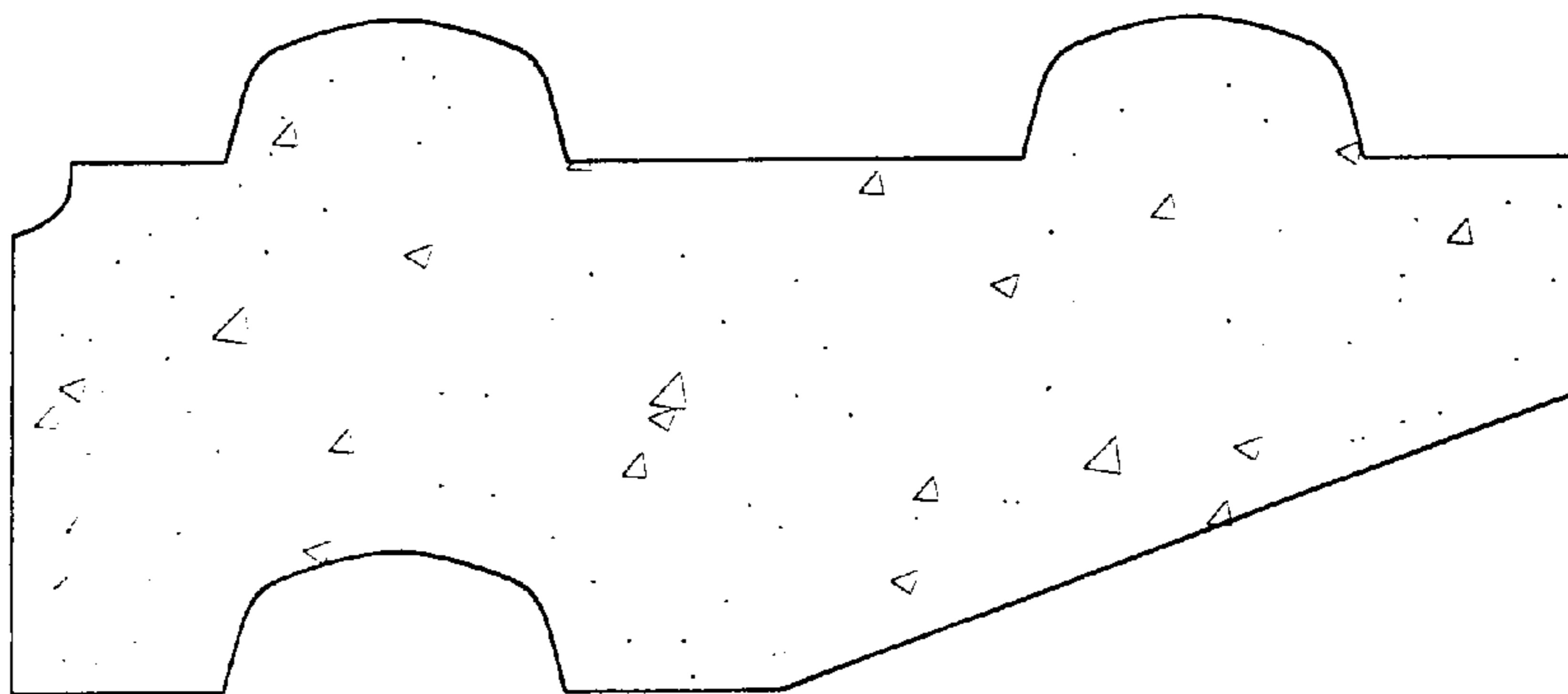


FIG. 80

