



US00D468838S

(12) **United States Design Patent**
Denney

(10) **Patent No.:** **US D468,838 S**

(45) **Date of Patent:** **** *Jan. 14, 2003**

(54) **GARDEN TRELLIS**

D396,305 S * 7/1998 Hollingerq D25/101

(76) Inventor: **Merrill R. Denney**, 21500 Riverwood Rd., Dundee, OR (US) 97115

* cited by examiner

(*) Notice: This patent is subject to a terminal disclaimer.

Primary Examiner—Doris Clark

(**) Term: **14 Years**

(57) **CLAIM**

The ornamental design for a garden trellis, as shown.

(21) Appl. No.: **29/133,290**

(22) Filed: **Nov. 28, 2000**

(51) **LOC (7) Cl.** **08-99**

(52) **U.S. Cl.** **D25/101**

(58) **Field of Search** D25/101, 100;
47/33, 44, 47, 41.14, 70

DESCRIPTION

FIG. 1 shows a front elevation view of my new garden trellis.

FIG. 2 shows a right side elevation view, the left side being a mirror image of the right side; and,

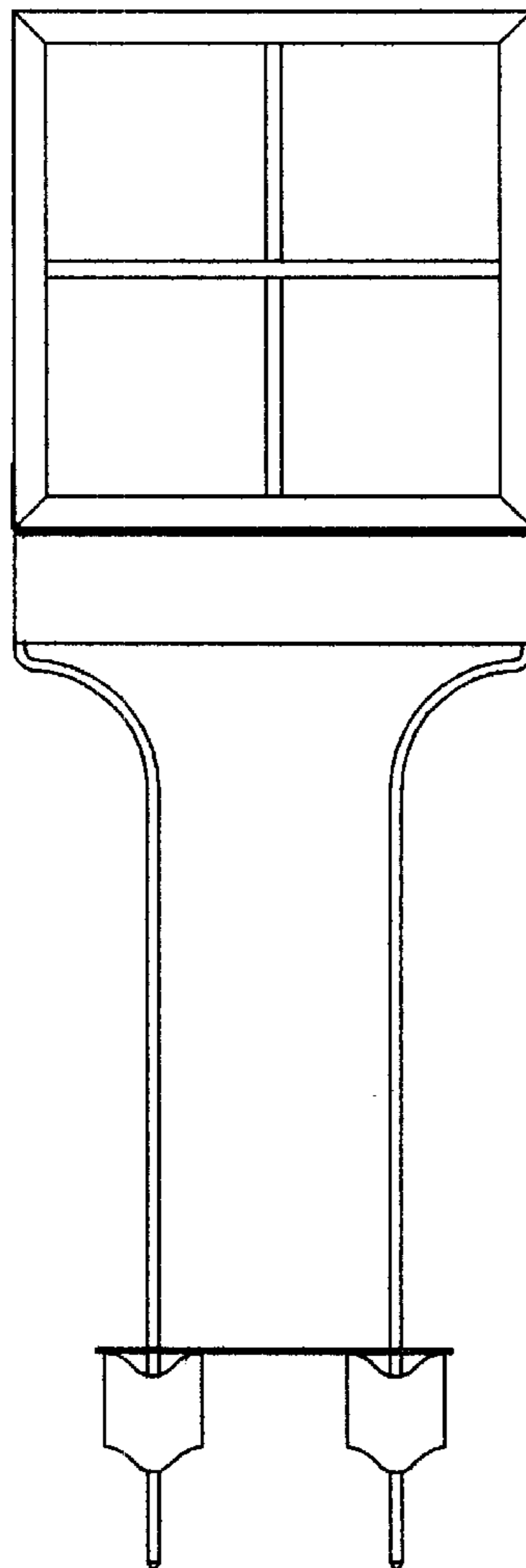
FIG. 3 shows a top plan view of my new garden trellis.

(56) **References Cited**

U.S. PATENT DOCUMENTS

D194,992 S * 4/1963 Jacobsen D25/101

1 Claim, 1 Drawing Sheet



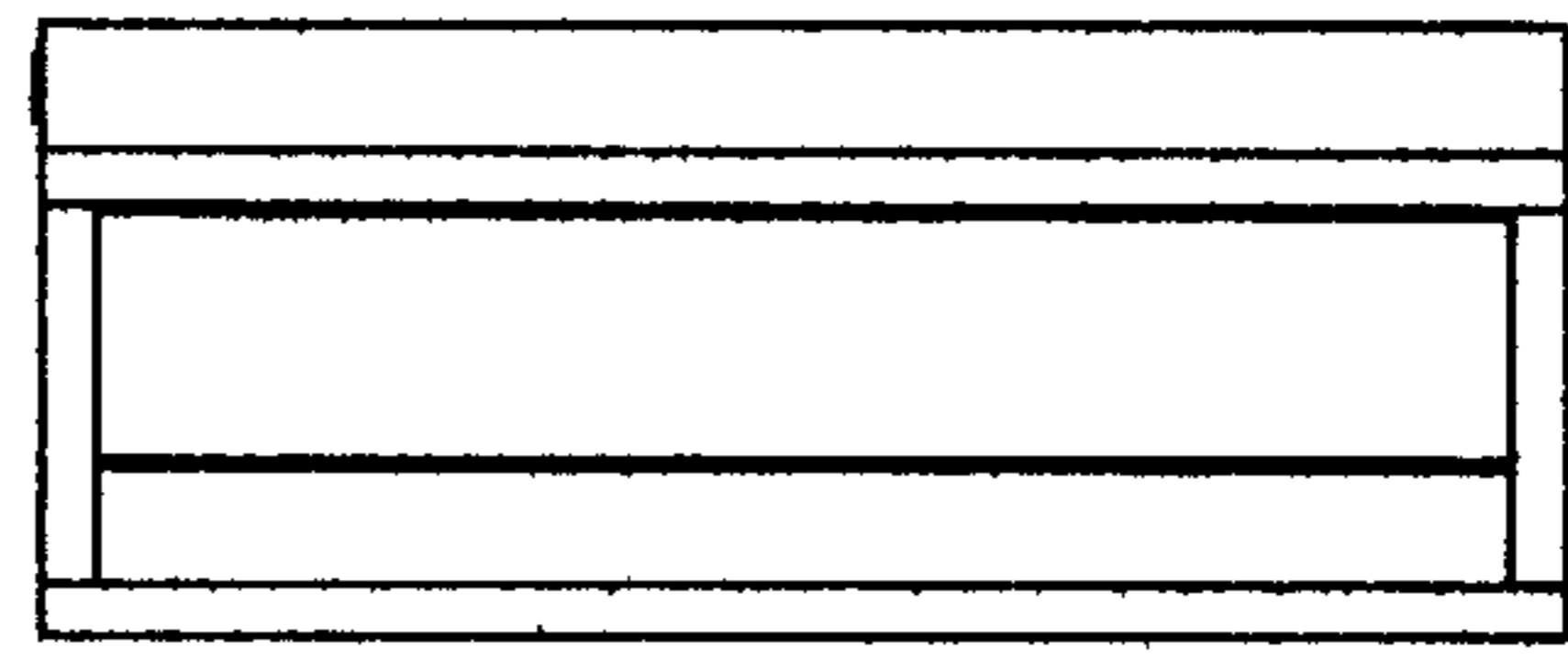


FIG .3

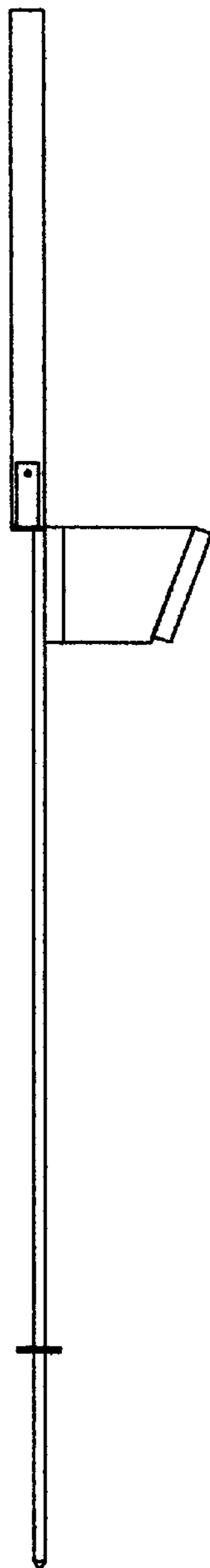


FIG .2

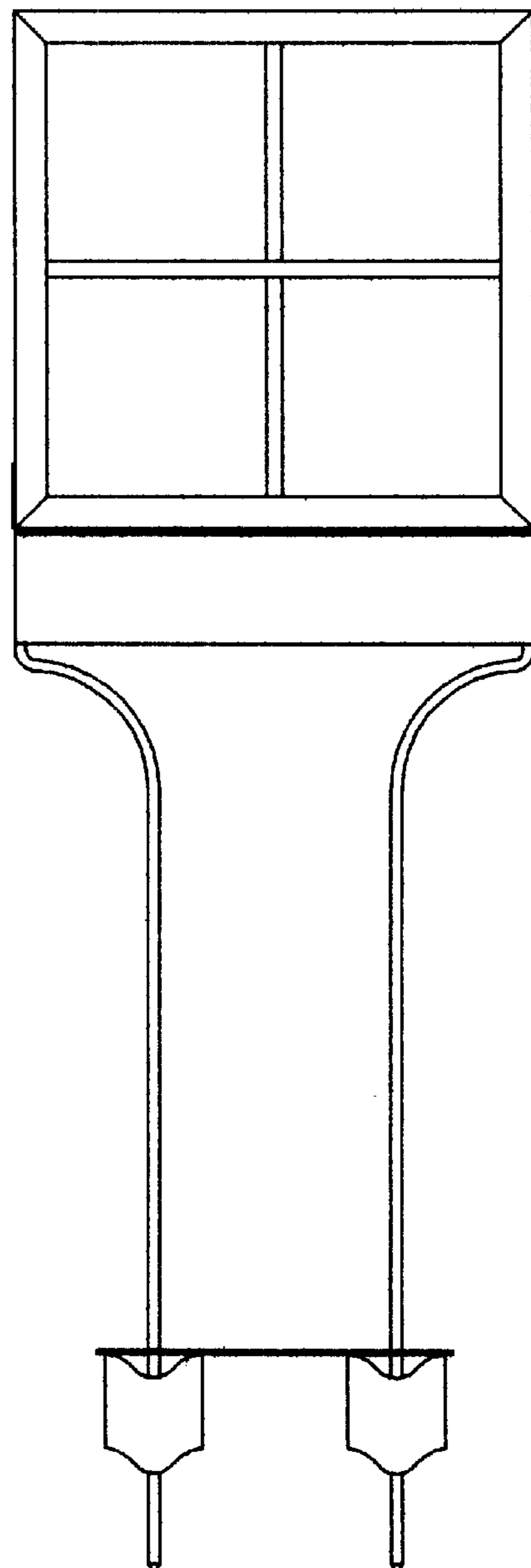


FIG .1