



US00D468836S

(12) **United States Design Patent**  
**McFee**

(10) **Patent No.:** **US D468,836 S**  
(45) **Date of Patent:** **\*\* Jan. 14, 2003**

(54) **PET DOOR**

(75) Inventor: **Warren McFee**, Preston (GB)

(73) Assignee: **Reilor Limited**, Preston (GB)

(\*\*) Term: **14 Years**

(21) Appl. No.: **29/151,694**

(22) Filed: **Dec. 5, 2001**

(30) **Foreign Application Priority Data**

Jun. 13, 2001 (GB) ..... 2102521

(51) **LOC (7) Cl.** ..... **25-02**

(52) **U.S. Cl.** ..... **D25/48**

(58) **Field of Search** ..... D25/48; 119/484;  
49/168-169

(56) **References Cited**

**U.S. PATENT DOCUMENTS**

3,690,299 A \* 9/1972 Johnson ..... 119/484  
D353,207 S \* 12/1994 Davlantes ..... D25/48

\* cited by examiner

*Primary Examiner*—Doris Clark  
(74) *Attorney, Agent, or Firm*—Niels & Lemack

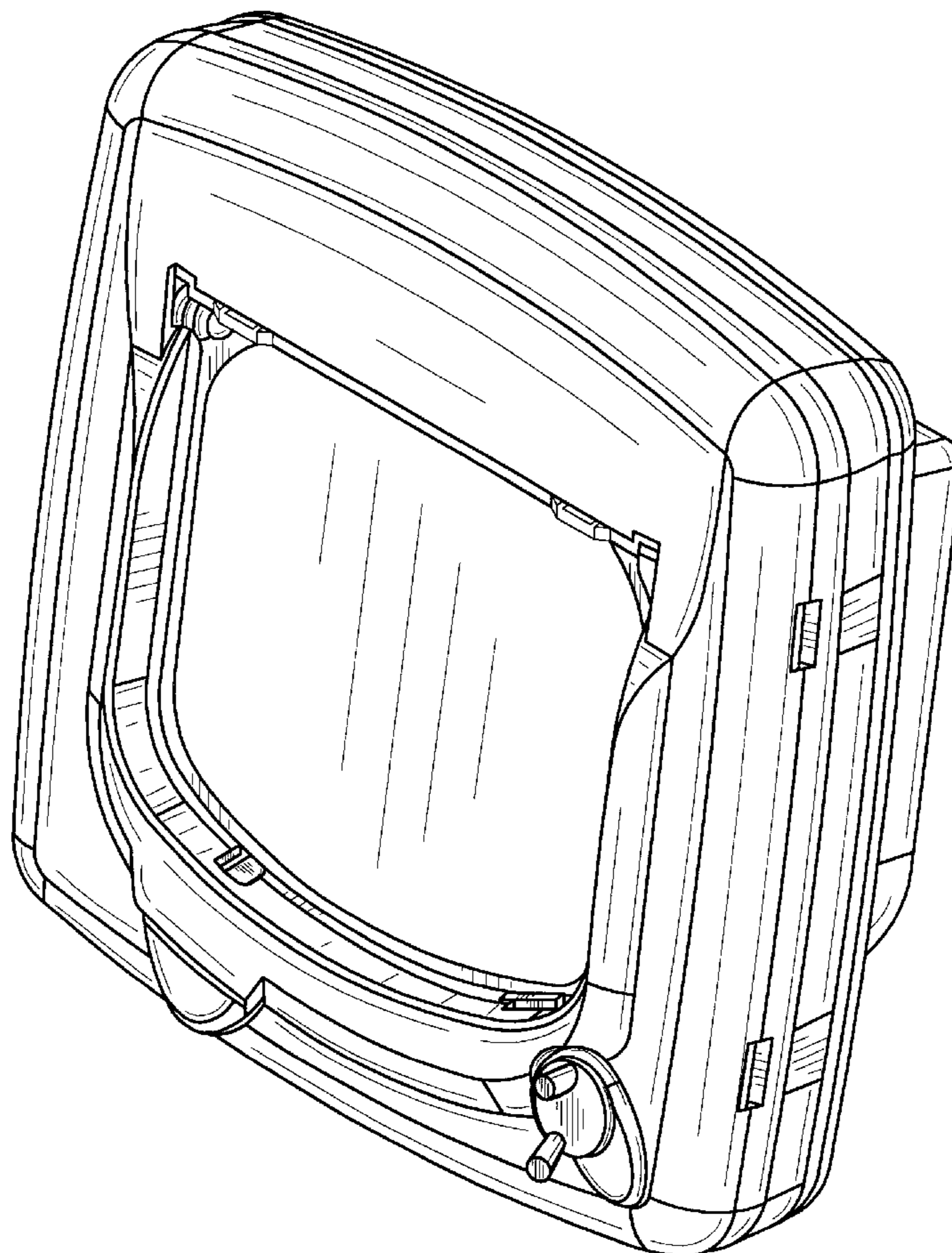
(57) **CLAIM**

The ornamental design for a pet door, as shown and described.

**DESCRIPTION**

FIG. 1 is a perspective view of the pet door of the present invention;  
FIG. 2 is a front elevation view of the pet door of the present invention;  
FIG. 3 is a rear elevation view of the pet door of the present invention;  
FIG. 4 is a left side elevation view of the pet door of the present invention;  
FIG. 5 is a right side elevation view of the pet door of the present invention;  
FIG. 6 is a top plan view of the pet door of the present invention; and,  
FIG. 7 is a bottom plan view of the pet door of the present invention.

**1 Claim, 5 Drawing Sheets**



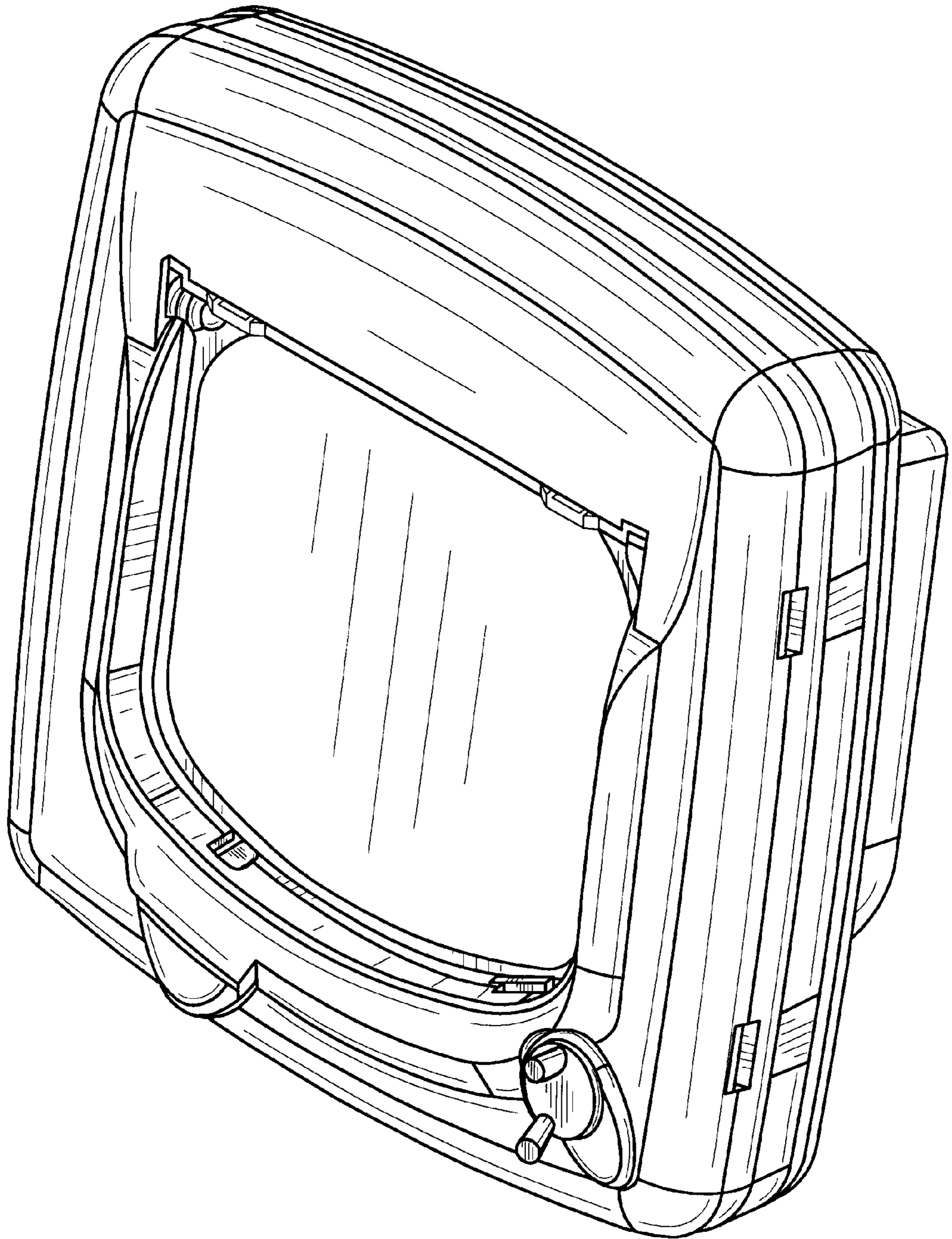


FIG. 1

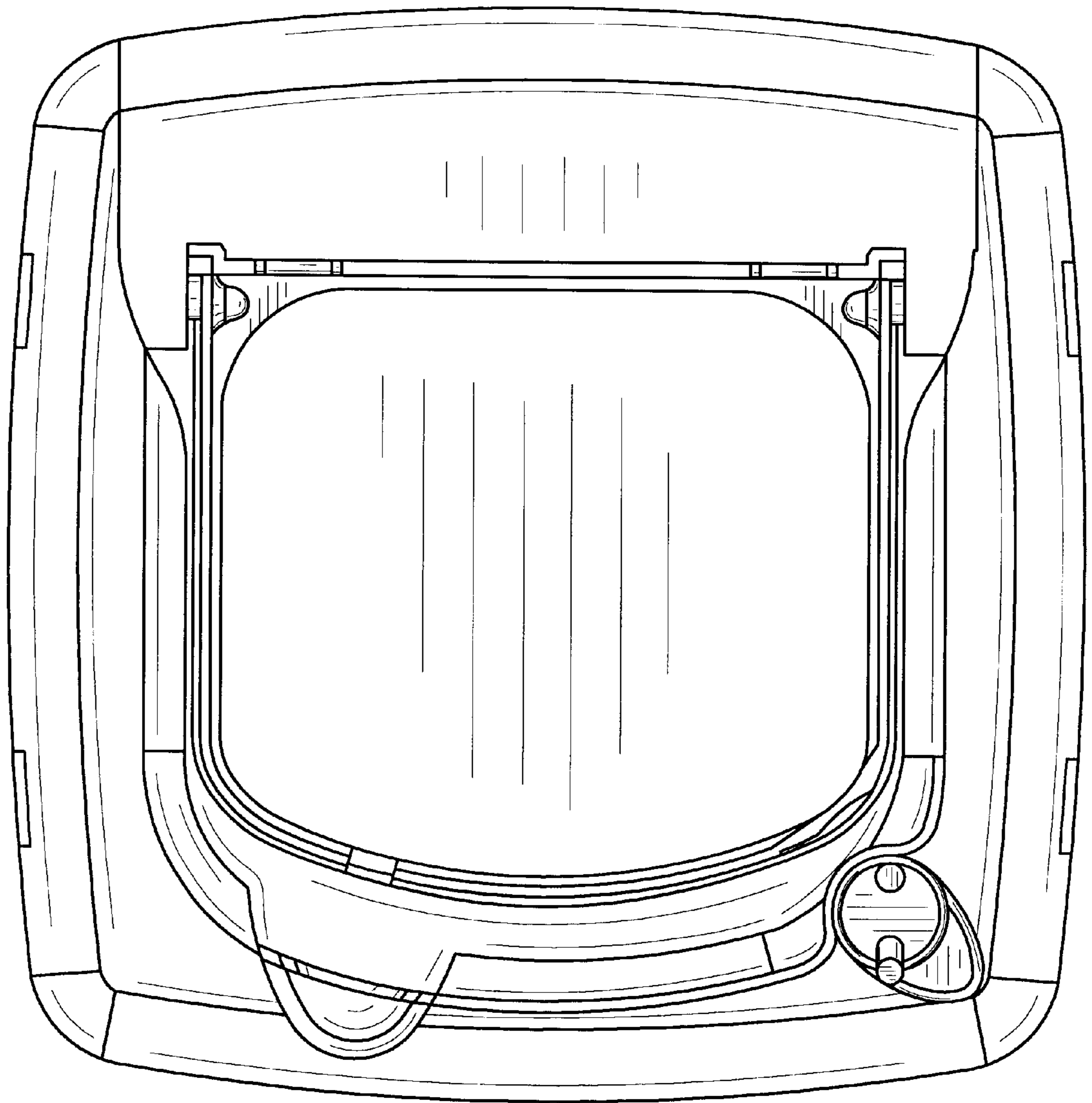


FIG. 2

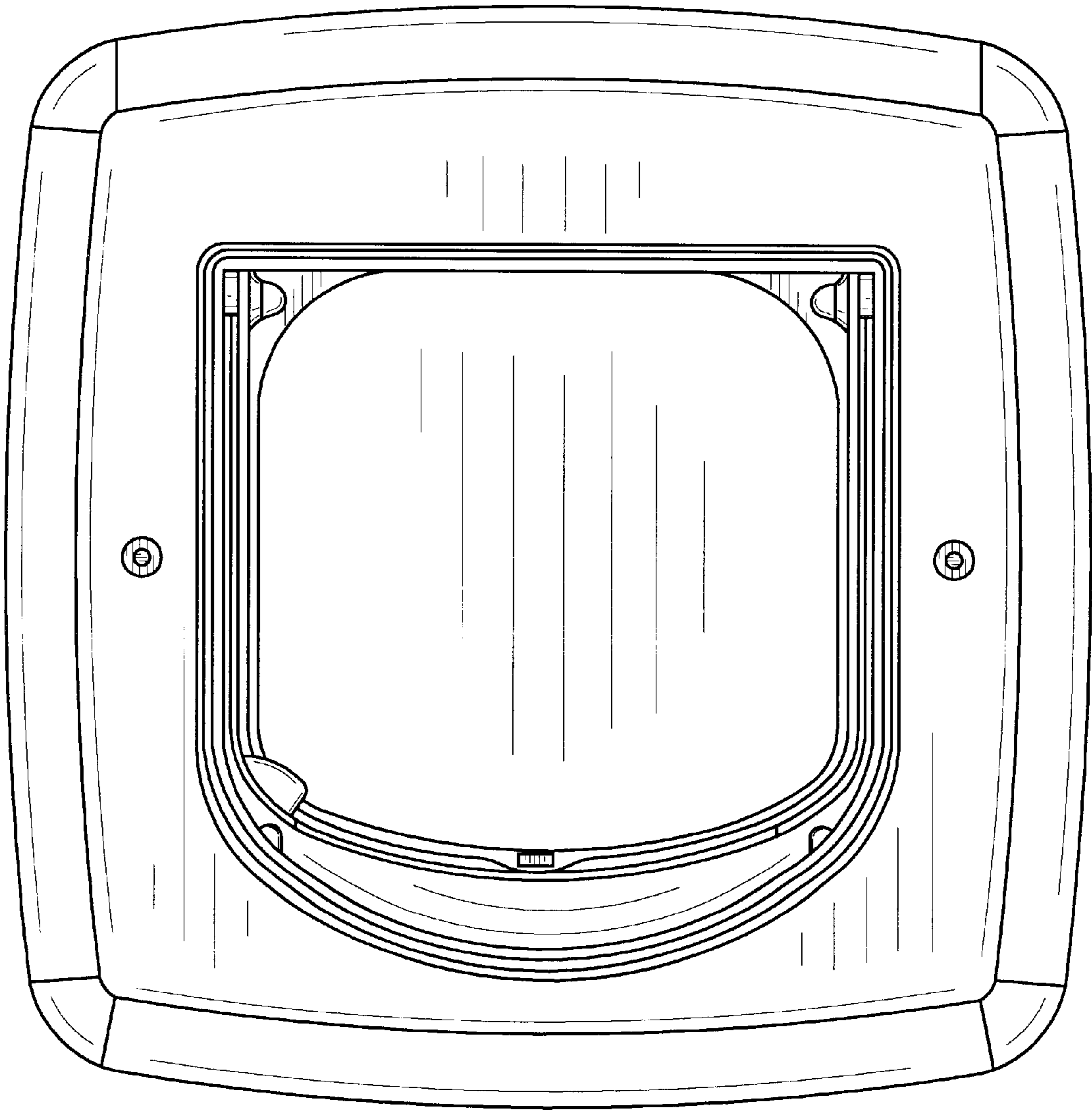


FIG. 3



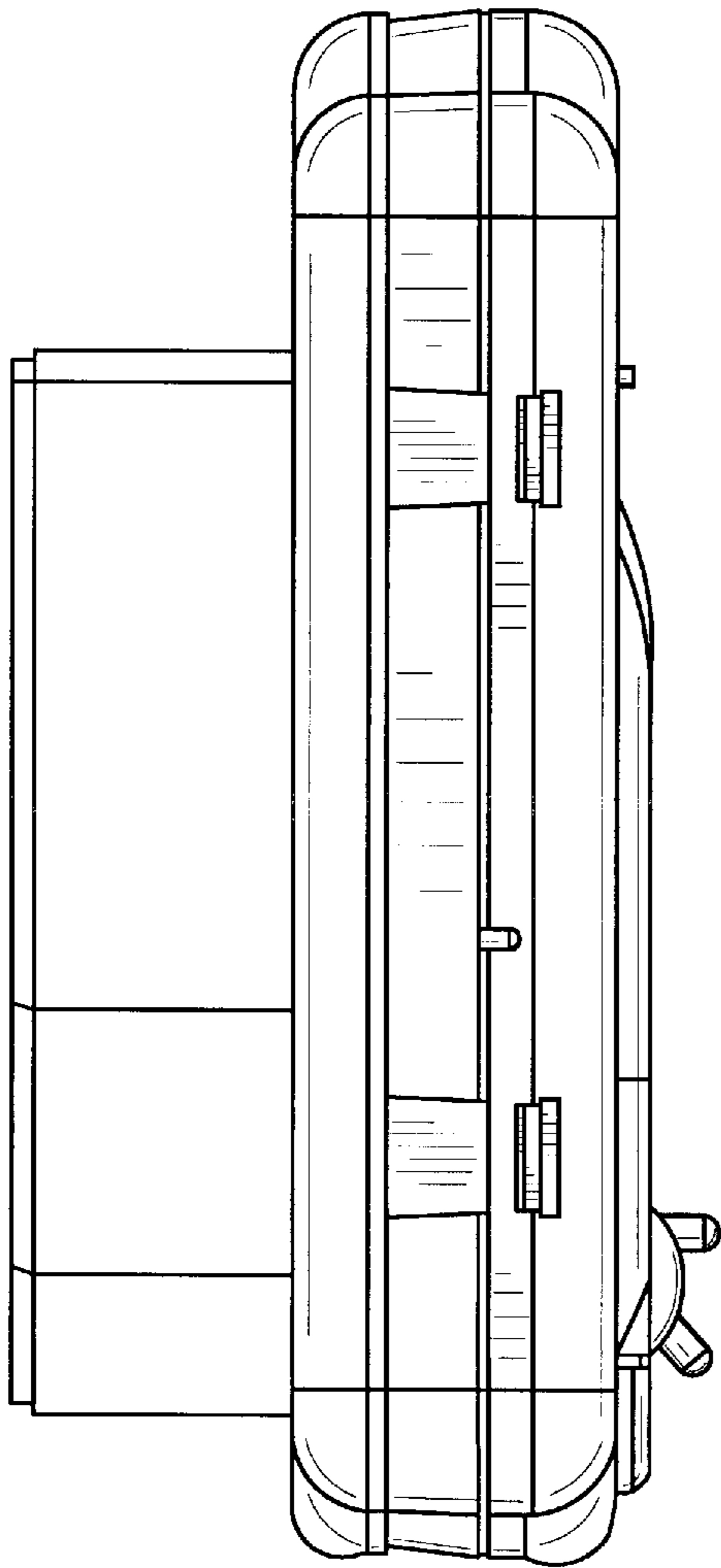


FIG. 4

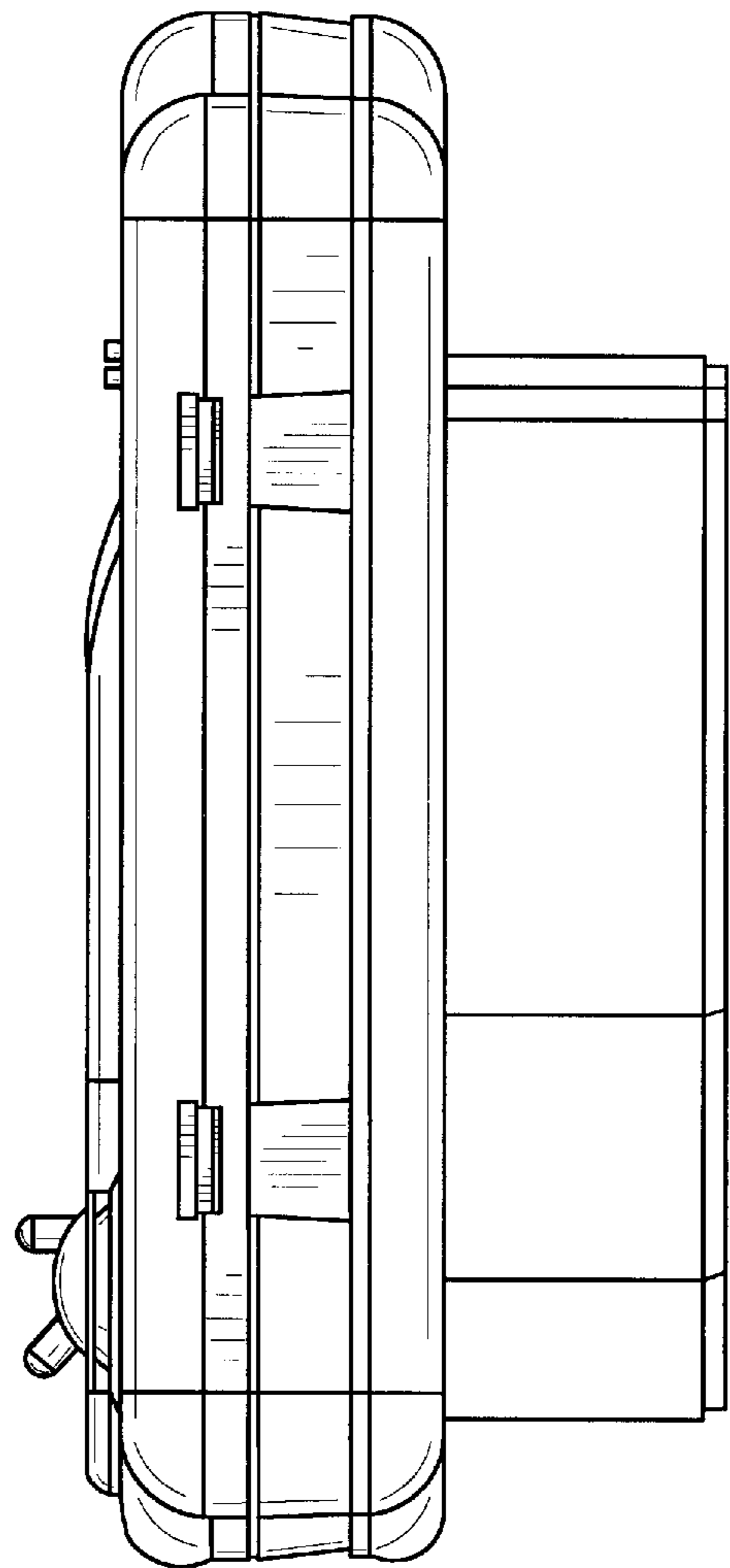


FIG. 5

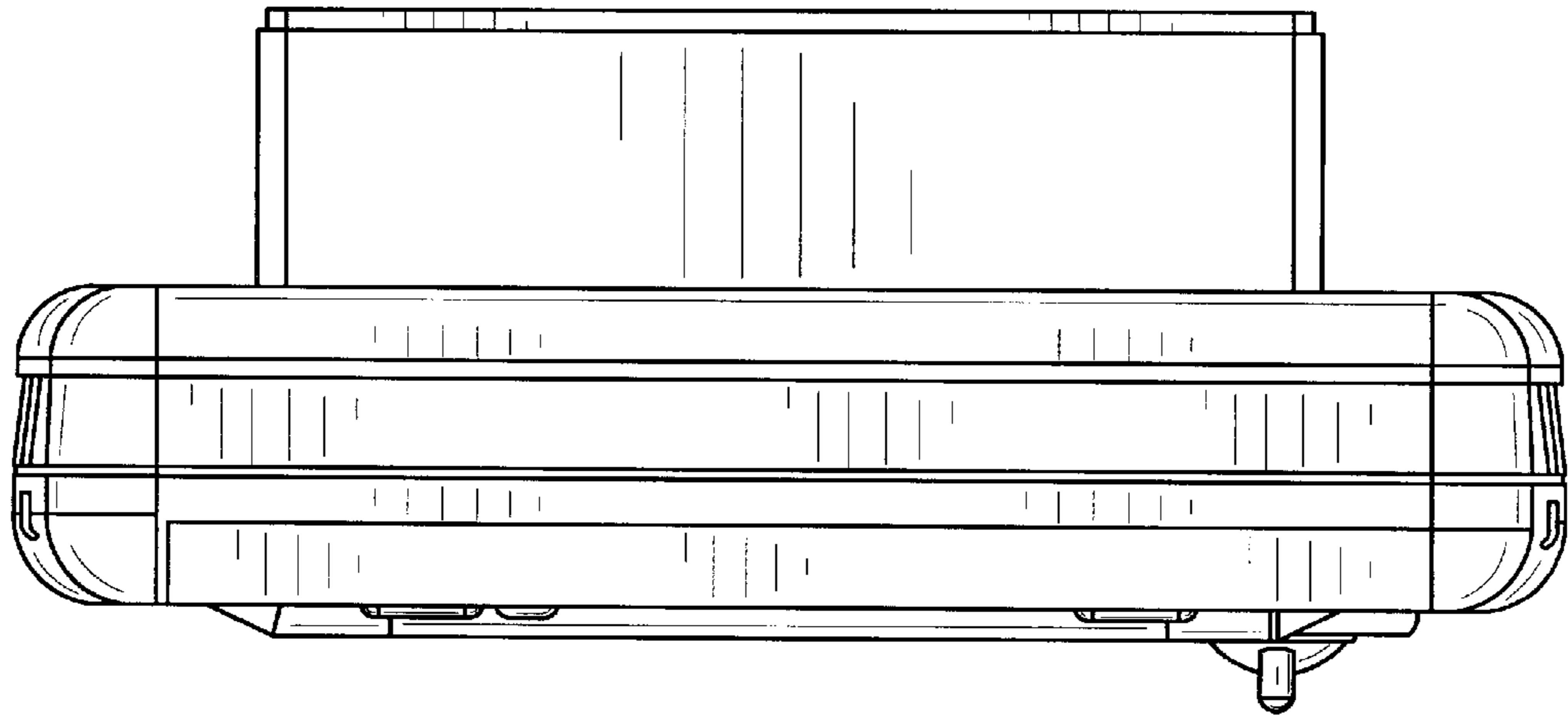


FIG. 6

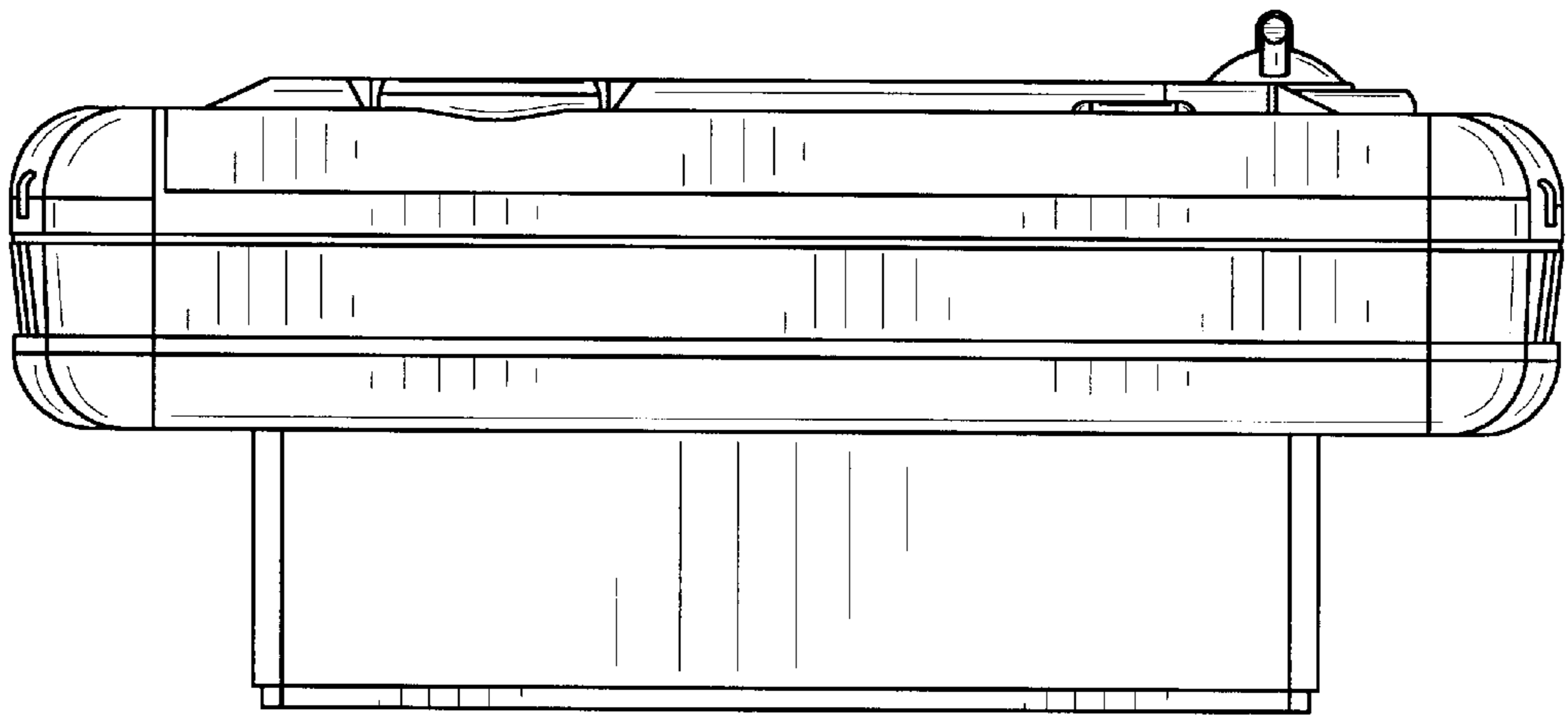


FIG. 7