



US00D46828S

(12) **United States Design Patent**
Collins et al.

(10) **Patent No.:** US D468,828 S
(45) **Date of Patent:** ** Jan. 14, 2003

(54) **FOUR SEAT SPA ALCOVE SYSTEM WITH SPA ALCOVE**

D395,075 S * 6/1998 Kolada D23/277

* cited by examiner

(75) Inventors: **Sam Collins**, Dallas, OR (US); **Loren Brooks**, Independence, OR (US)

Primary Examiner—Stella Reid
(74) *Attorney, Agent, or Firm*—Karen Dana Oster

(73) Assignee: **Marquis Corp.**, Independence, OR (US)

(57) **CLAIM**

(**) Term: **14 Years**

The ornamental design for a four seat spa alcove system with spa alcove, as shown and described.

(21) Appl. No.: **29/151,210**

DESCRIPTION

(22) Filed: **Oct. 31, 2001**

FIG. 1 is a top plan view of a four seat spa alcove system with spa alcove showing the new design.

(51) **LOC (7) Cl.** **24-04**

FIG. 2 is a cross-sectional view of the four seat spa alcove system with spa alcove taken along lines 2—2 of FIG. 1.

(52) **U.S. Cl.** **D24/204**

FIG. 3 is a cross-sectional view of the four seat spa alcove system with spa alcove taken along lines 3—3 of FIG. 1.

(58) **Field of Search** D24/204, 205;
4/541.1, 541.2, 541.3, 541.4, 541.5, 541.6;
D23/277, 280.1

FIG. 4 is a cross-sectional view of the four seat spa alcove system with spa alcove taken along lines 4—4 of FIG. 1; and,

(56) **References Cited**

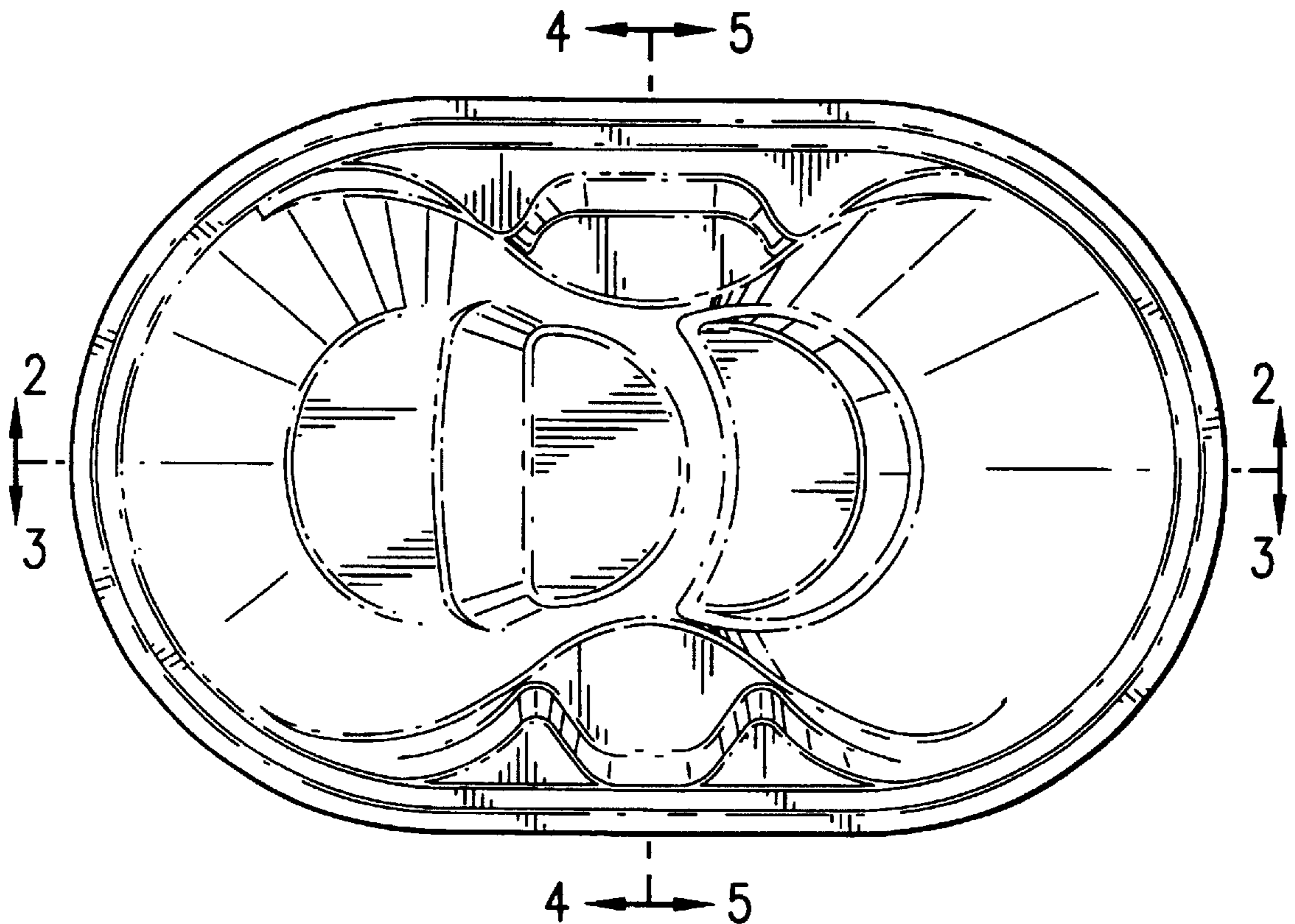
U.S. PATENT DOCUMENTS

FIG. 5 is a cross-sectional view of the four seat spa alcove system with spa alcove taken along lines 5—5 of FIG. 1.

- D275,597 S * 9/1984 Lax D24/205
- D318,908 S * 8/1991 Reid D23/280.1
- D319,094 S * 8/1991 Richmond D23/280.1
- D321,555 S * 11/1991 Dannenberg D23/280.1
- D393,056 S * 3/1998 Kolada D23/280.1

The exterior surfaces (not shown) of the spa alcove form no part of the claimed design.

1 Claim, 3 Drawing Sheets



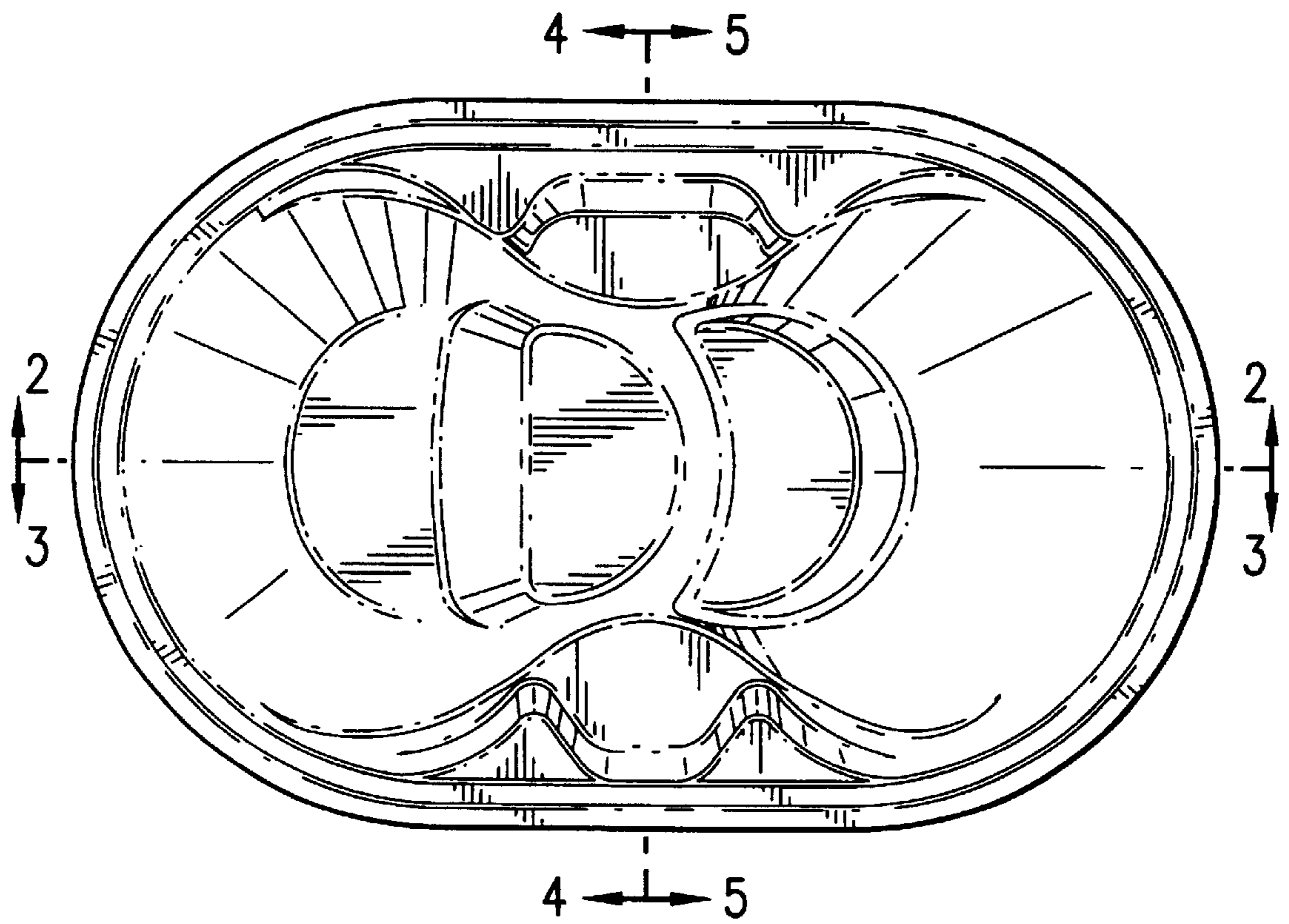


FIG. 1

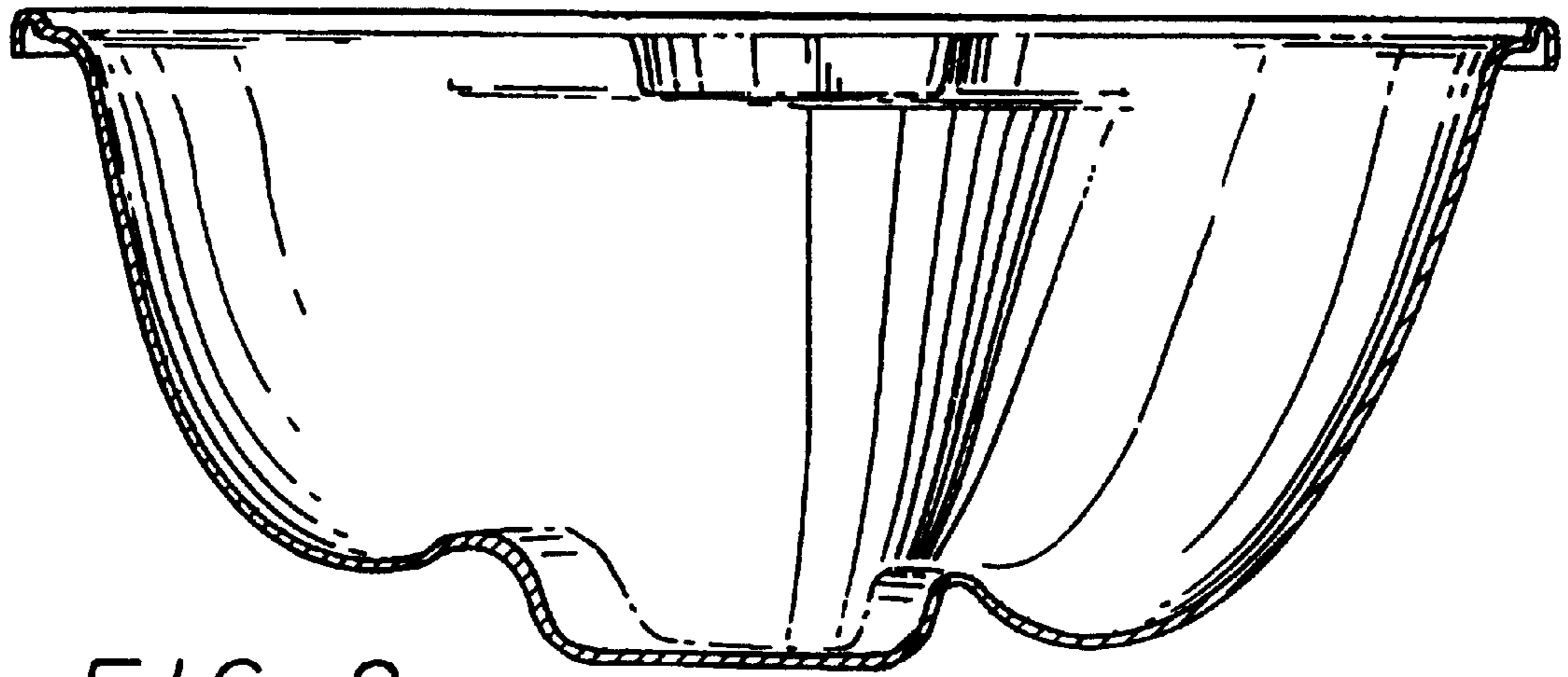


FIG. 2

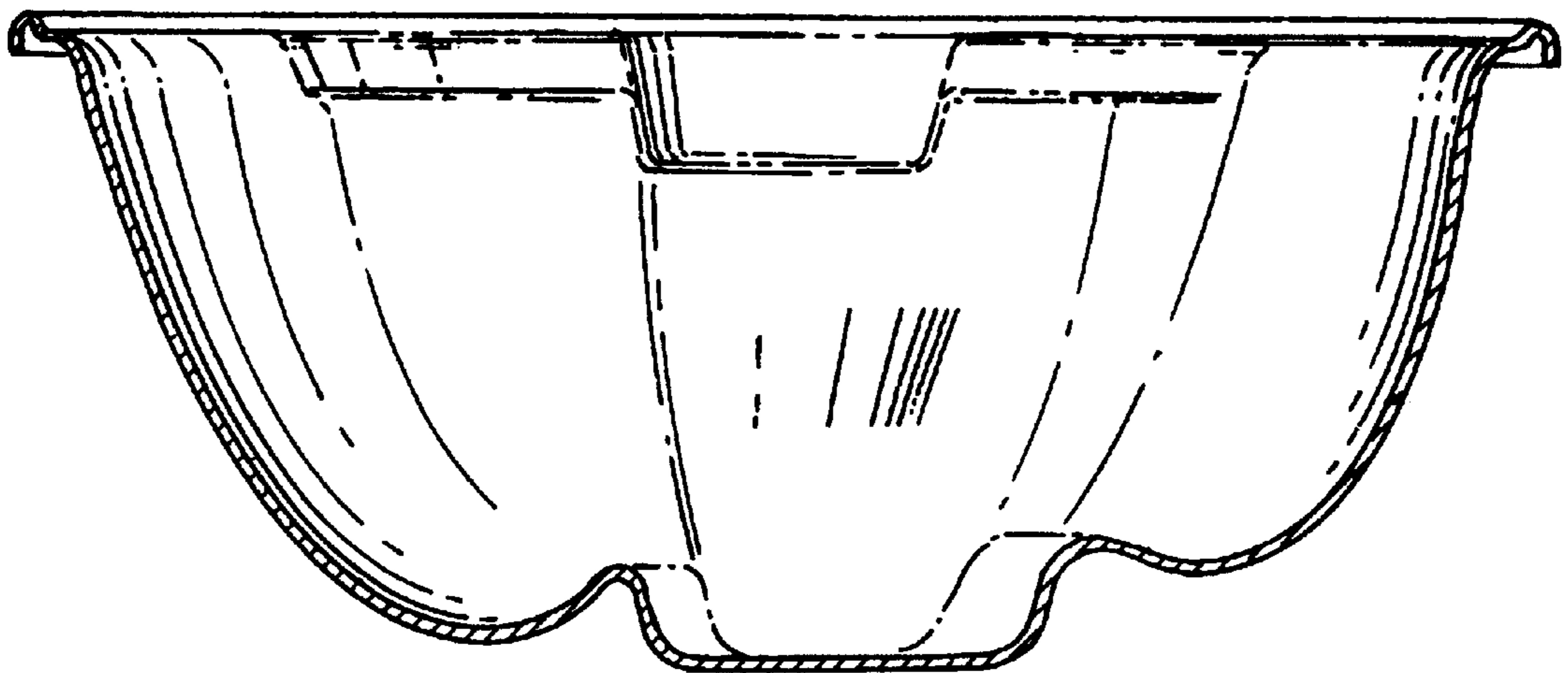


FIG. 3

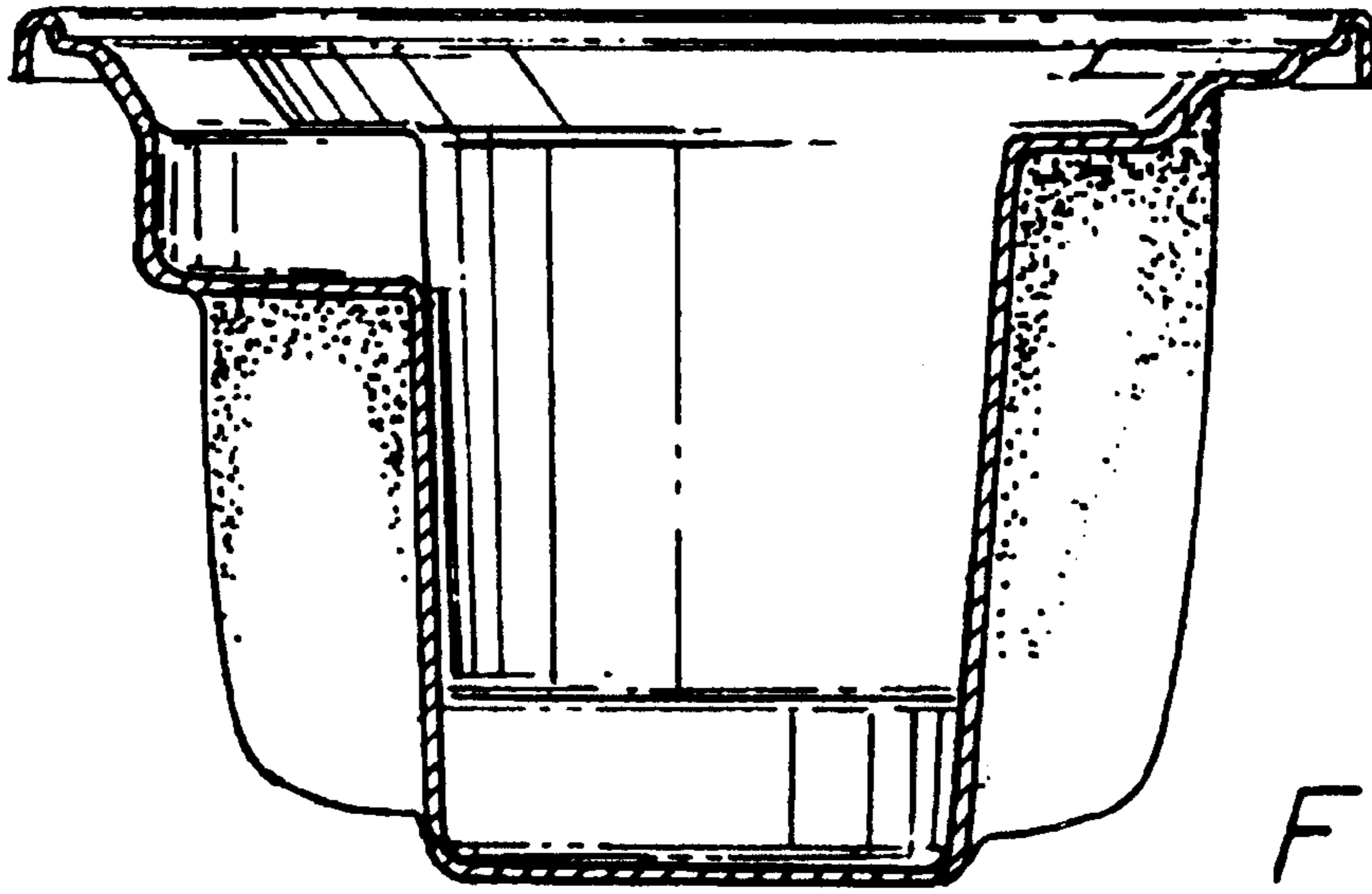


FIG. 4

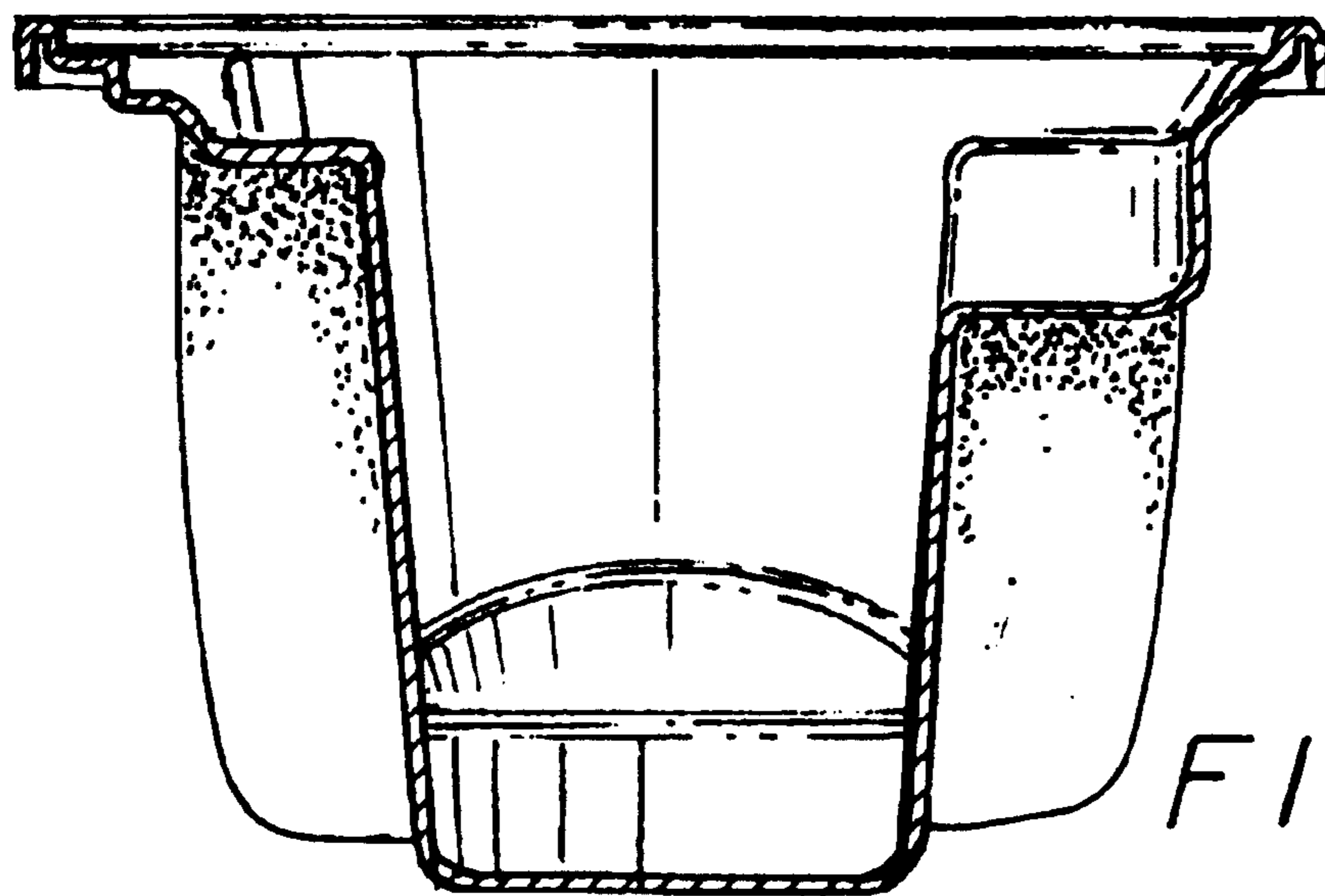


FIG. 5

UNITED STATES PATENT AND TRADEMARK OFFICE
CERTIFICATE OF CORRECTION

PATENT NO. : Des. 468,828 S
APPLICATION NO. : 29/151210
DATED : January 14, 2003
INVENTOR(S) : Collins et al.

Page 1 of 2

It is certified that error appears in the above-identified patent and that said Letters Patent is hereby corrected as shown below:

Title Page:

Item [54]: Please amend the title to read:

-- [54] TWO SEAT SPA SYSTEM WITH SPA ALCOVE --

Item [56]: Please add the following references to the References Cited:

-- References Cited

U.S. PATENT DOCUMENTS

5682625 Nov., 1997 Leaverton et al.

D405186 Feb., 1999 Larsen.

D431297 Sep., 2000 Larsen et al.

OTHER PUBLICATIONS

Dimension One Spas Brochure, at least as early as Oct., 2000.

Down East Spas Brochure "Relax in Stylish Comfort," at least as early as Oct., 2000.

Watkins Manufacturing Corporation, Caldera Spas Brochure, "Relax, Recharge and Reconnect," at least as early as Oct., 2000.

L.A. Spas Brochure, at least as early as Oct., 2000.

Watkins Manufacturing Corporation, Hot Spring Spas Brochure, "Relaxation Has Found Its Ultimate Expression," at least as early as Oct., 2000.

Dimension One Spas, Dimension One Spas Brochure, at least as early as Oct., 2000.

Dimension One Spas, "@Home Hot Tubs" Brochure, at least as early as Oct. 2000.

Watkins Manufacturing Corporation, Tiger River Spas Brochure, at least as early as Oct., 2000.

Watkins Manufacturing Corporation, Solana "Serenity made simple" Brochure, at least as early as Oct., 2000. --

UNITED STATES PATENT AND TRADEMARK OFFICE
CERTIFICATE OF CORRECTION

PATENT NO. : Des. 468,828 S
APPLICATION NO. : 29/151210
DATED : January 14, 2003
INVENTOR(S) : Collins et al.

Page 2 of 2

It is certified that error appears in the above-identified patent and that said Letters Patent is hereby corrected as shown below:

Item [57]: Please amend the claim and figure description to read:

-- [57] CLAIM

The ornamental design for a two seat spa alcove system with spa alcove as shown and described.

DESCRIPTION

FIG. 1 is a top plan view of a two seat spa alcove system with spa alcove showing the new design.

FIG. 2 is a cross-sectional view of the two seat spa alcove system with spa alcove taken along lines 2-2 of FIG. 1.

FIG. 3 is a cross-sectional view of the two seat spa alcove system with spa alcove taken along lines 3-3 of FIG. 1.

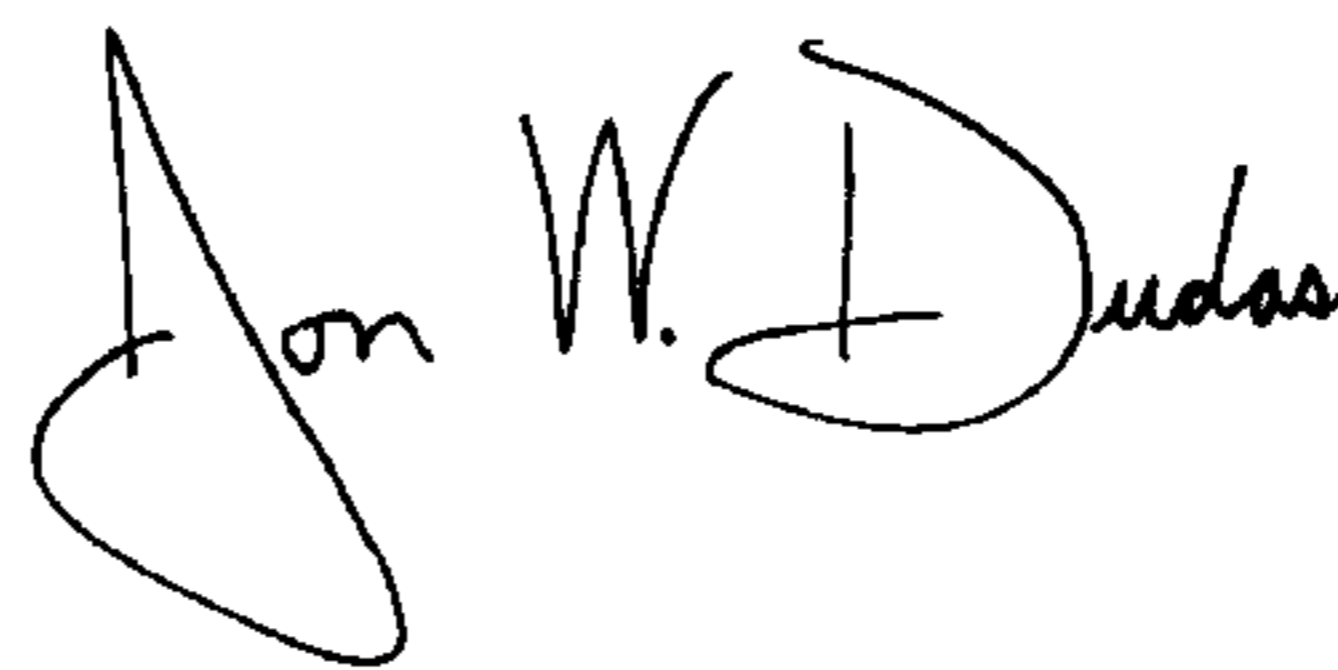
FIG. 4 is a cross-sectional view of the two seat spa alcove system with spa alcove taken along lines 4-4 of FIG. 1.

FIG. 5 is a cross-sectional view of the two seat spa alcove system with spa alcove taken along lines 5-5 of FIG. 1.

The exterior surfaces (not shown) of the spa alcove form no part of the claimed design. --

Signed and Sealed this

Sixth Day of May, 2008



JON W. DUDAS

Director of the United States Patent and Trademark Office