



US00D468823S

(12) **United States Design Patent**  
**Smart**

(10) **Patent No.:** **US D468,823 S**

(45) **Date of Patent:** **\*\* Jan. 14, 2003**

(54) **NASAL MASK**

(75) **Inventor:** **Gregory S. Smart, Randwick (AU)**

(73) **Assignee:** **ResMed Limited, North Ryde (AU)**

(\*\*) **Term:** **14 Years**

(21) **Appl. No.:** **29/148,596**

(22) **Filed:** **Sep. 25, 2001**

(51) **LOC (7) Cl.** ..... **29-02**

(52) **U.S. Cl.** ..... **D24/110.1; D24/110.4;**  
**D24/110.5**

(58) **Field of Search** ..... **D24/110.1, 110.5,**  
**D24/110.4, 164; 128/206.27, 205.25, 206.26,**  
**207.11, 207.17, 207.13**

(56) **References Cited**

**U.S. PATENT DOCUMENTS**

D322,318 S	12/1991	Sullivan	
5,542,128 A *	8/1996	Lomas	128/207.17
5,662,101 A *	9/1997	Ogden et al.	128/207.11
D430,663 S *	9/2000	Smart	D24/110.4
6,112,746 A *	9/2000	Kwok et al.	128/207.13
6,119,693 A *	9/2000	Kwok et al.	128/207.11

D439,326 S *	3/2001	Hecker et al.	D24/110.5
D441,860 S *	5/2001	Kopacko et al.	D24/110.1
D443,355 S *	6/2001	Gunaratnam et al.	D24/110.4
D447,557 S *	9/2001	Wilkie et al.	D24/110.5
D458,365 S *	6/2002	Kopacko et al.	D24/110.1
D459,800 S *	7/2002	Smart	D24/110.1

\* cited by examiner

*Primary Examiner*—Ian Simmons

(74) *Attorney, Agent, or Firm*—Pillsbury Winthrop LLP

(57) **CLAIM**

The ornamental design of a nasal mask, as shown and described.

**DESCRIPTION**

FIG. 1 is a front top and left perspective view of a nasal mask showing my new design;  
 FIG. 2 is a left side view thereof, the right side view being a mirror image thereof;  
 FIG. 3 is a front side view thereof;  
 FIG. 4 is a rear view thereof;  
 FIG. 5 is a bottom plan view thereof;  
 FIG. 6 is a top plan view thereof; and,  
 FIG. 7 is an exploded view thereof.

**1 Claim, 6 Drawing Sheets**

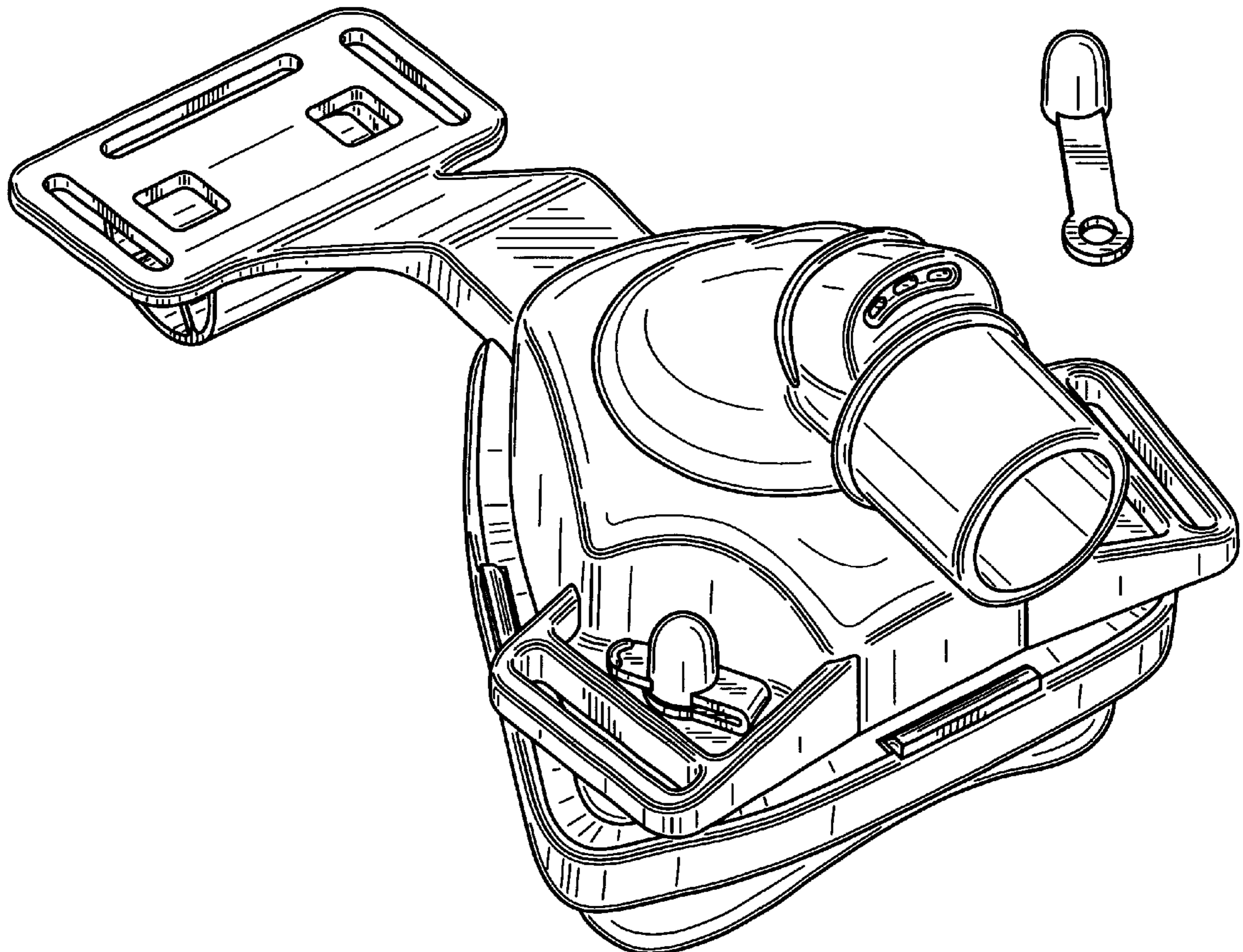
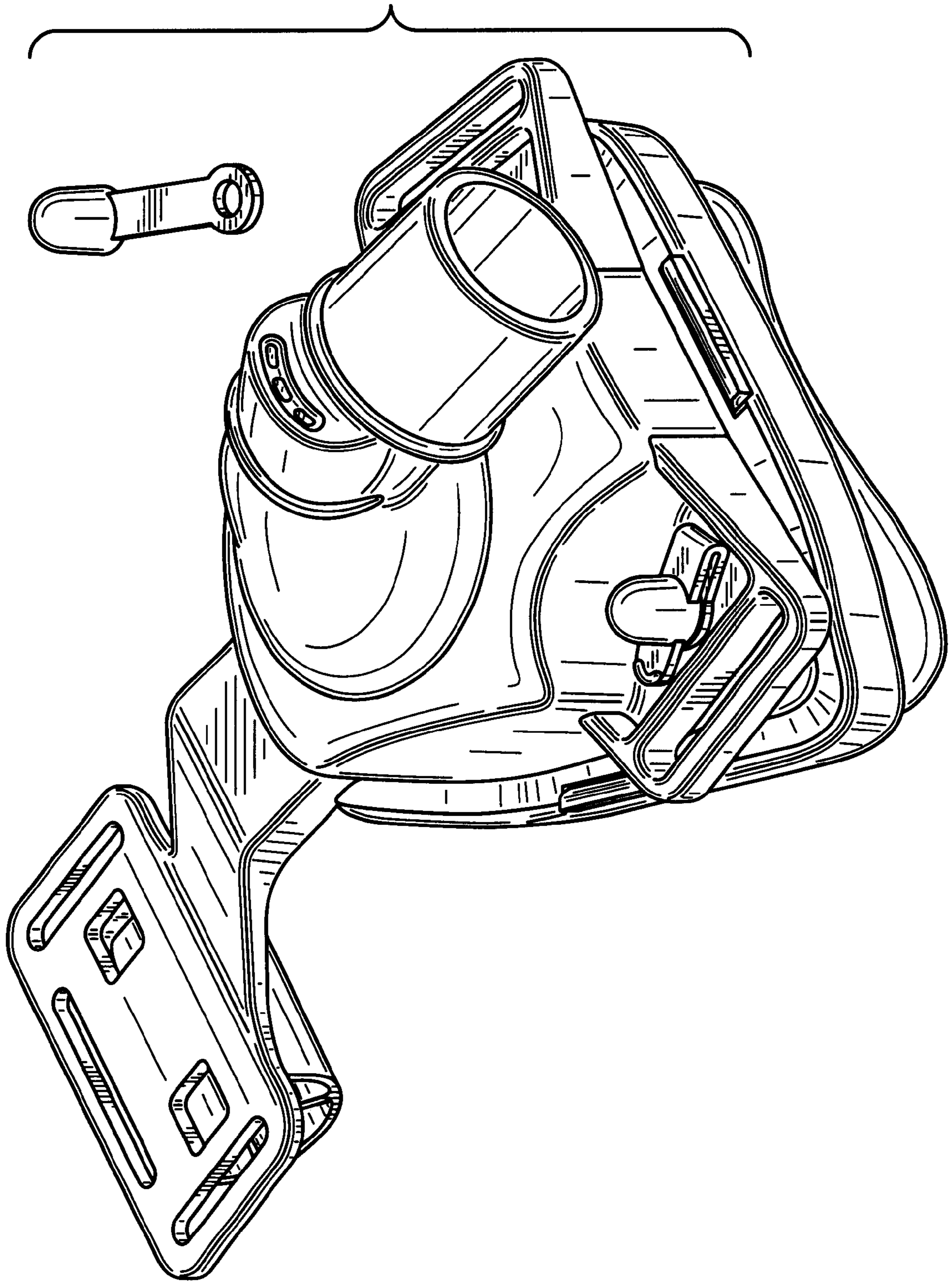


FIG. 1



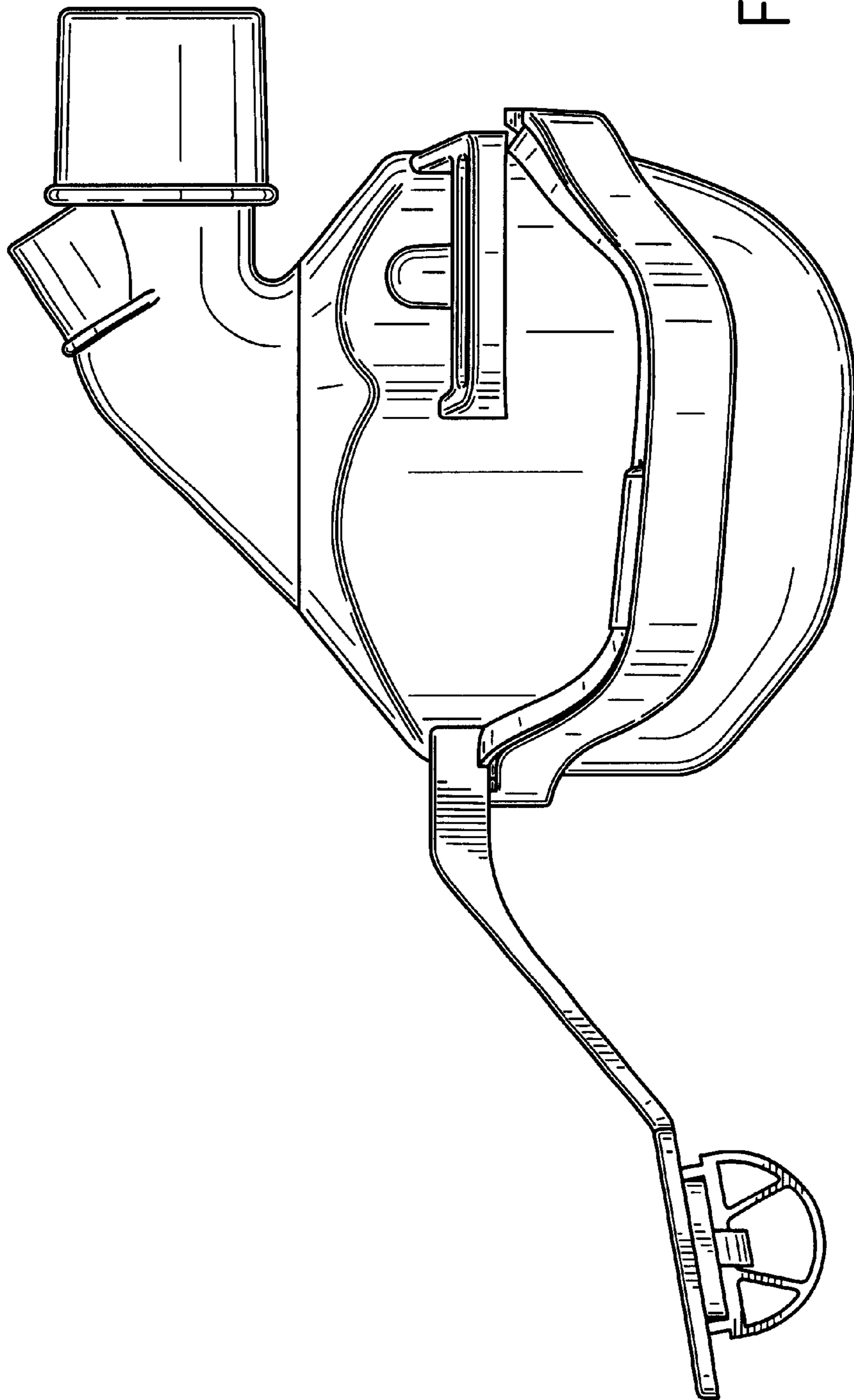


FIG. 2



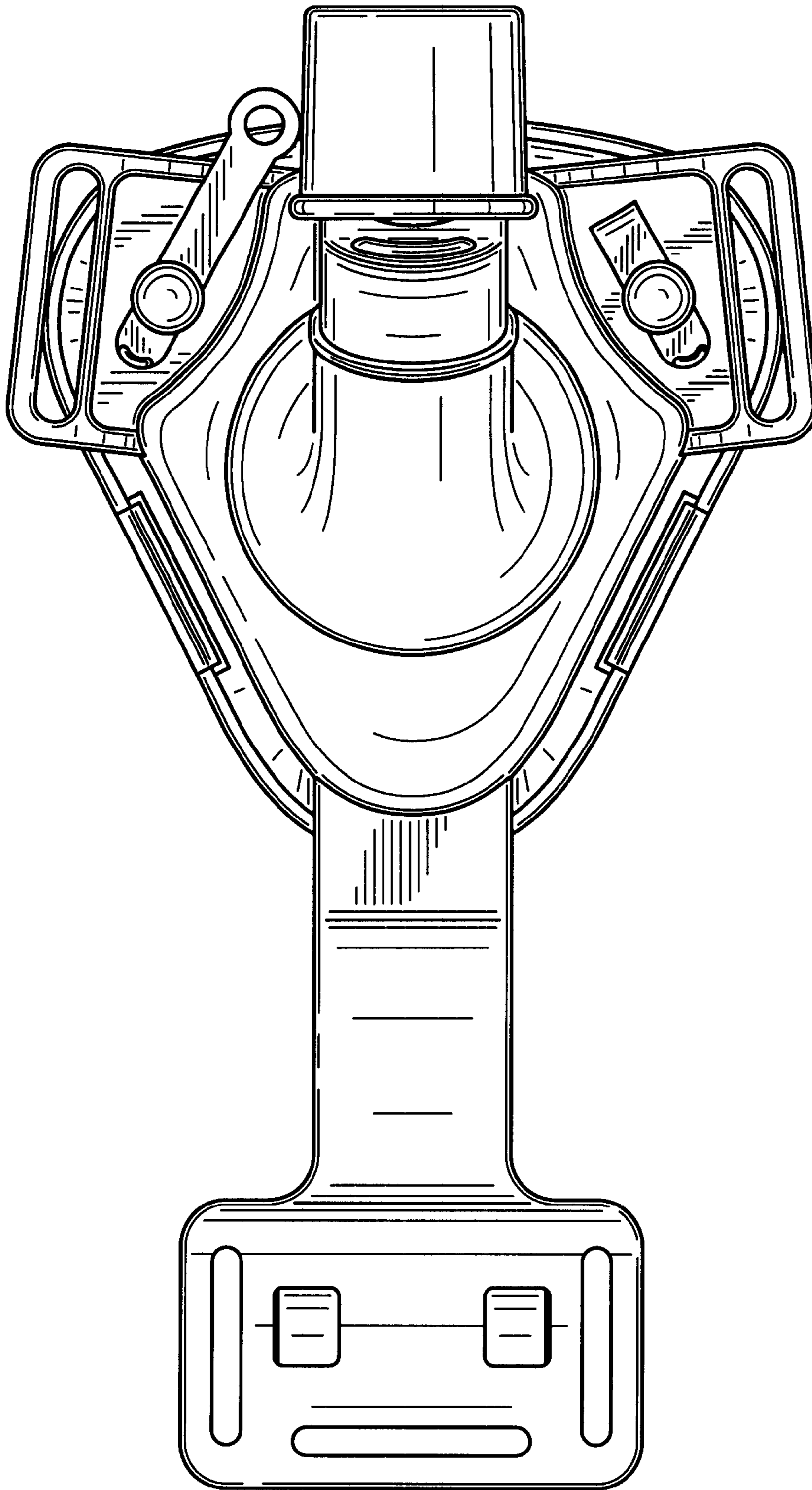


FIG. 3

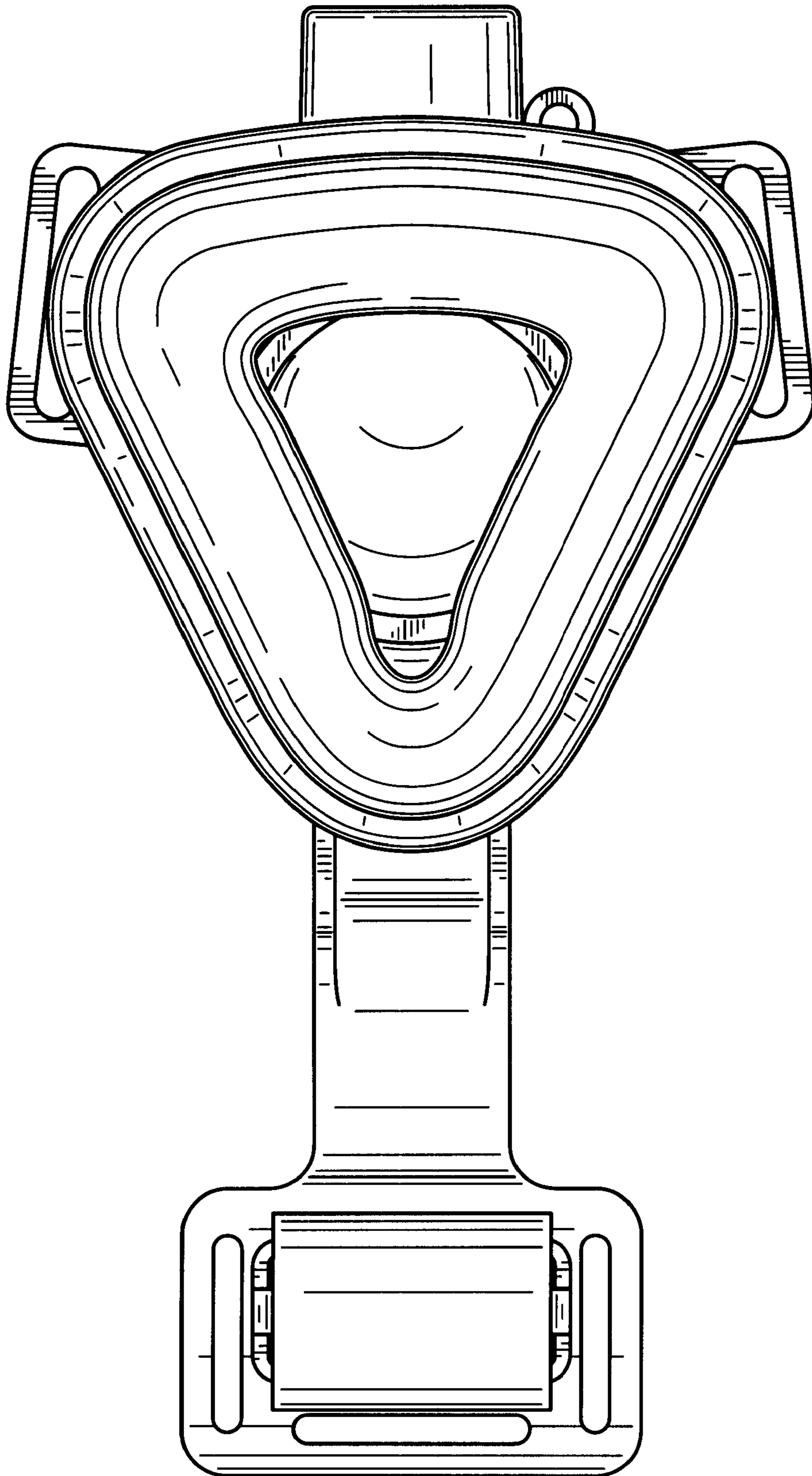


FIG. 4

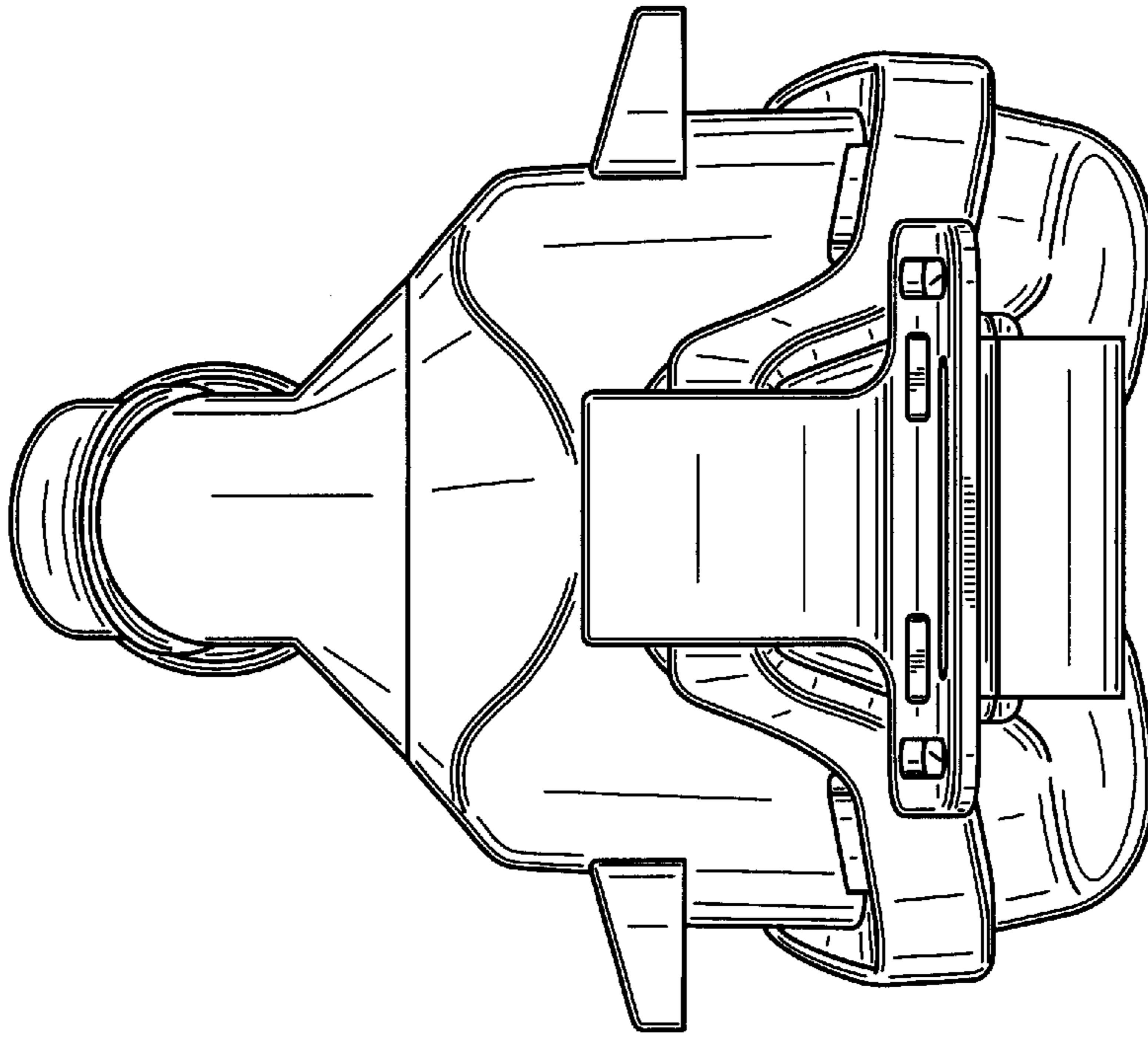


FIG. 5

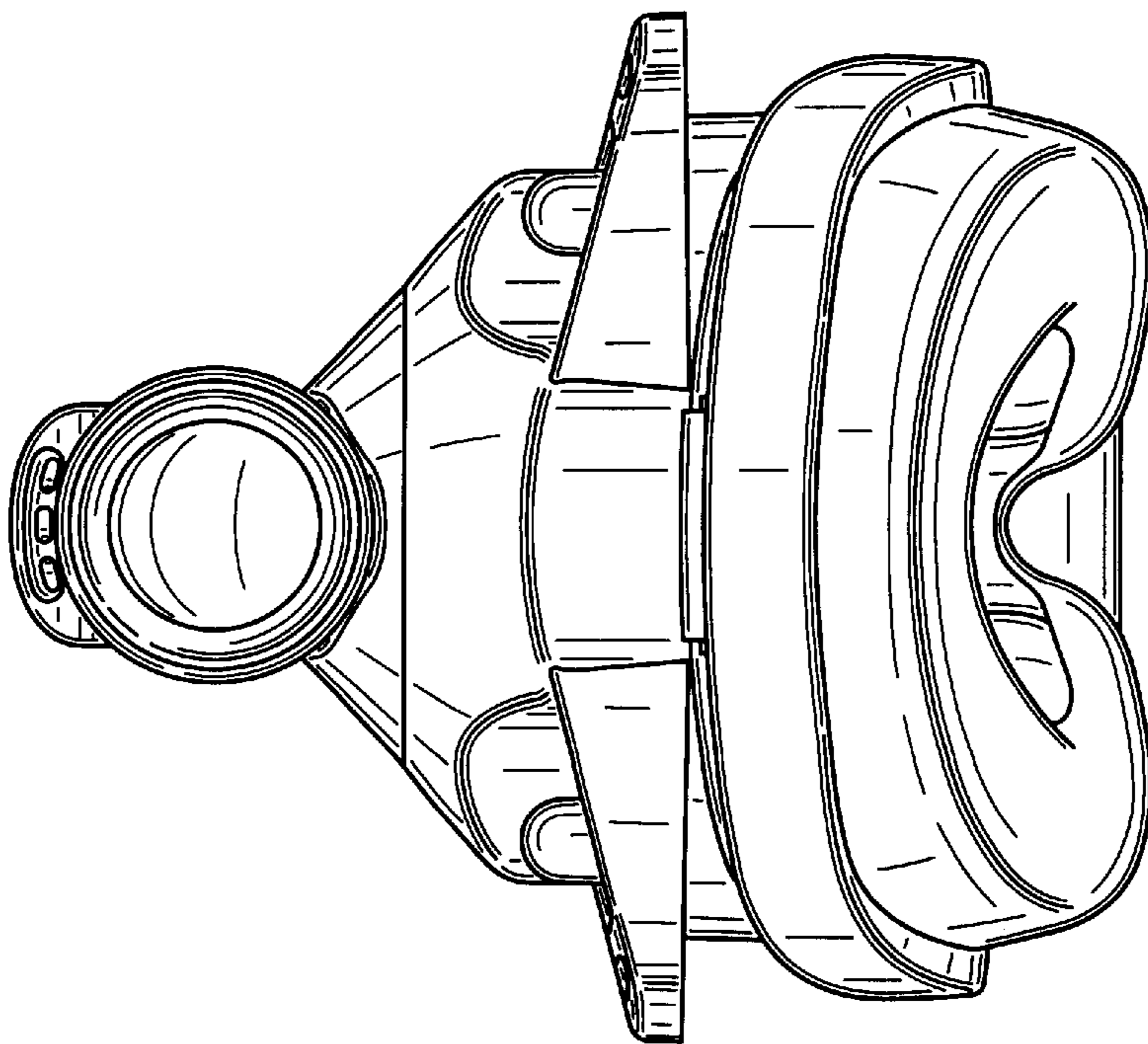


FIG. 6



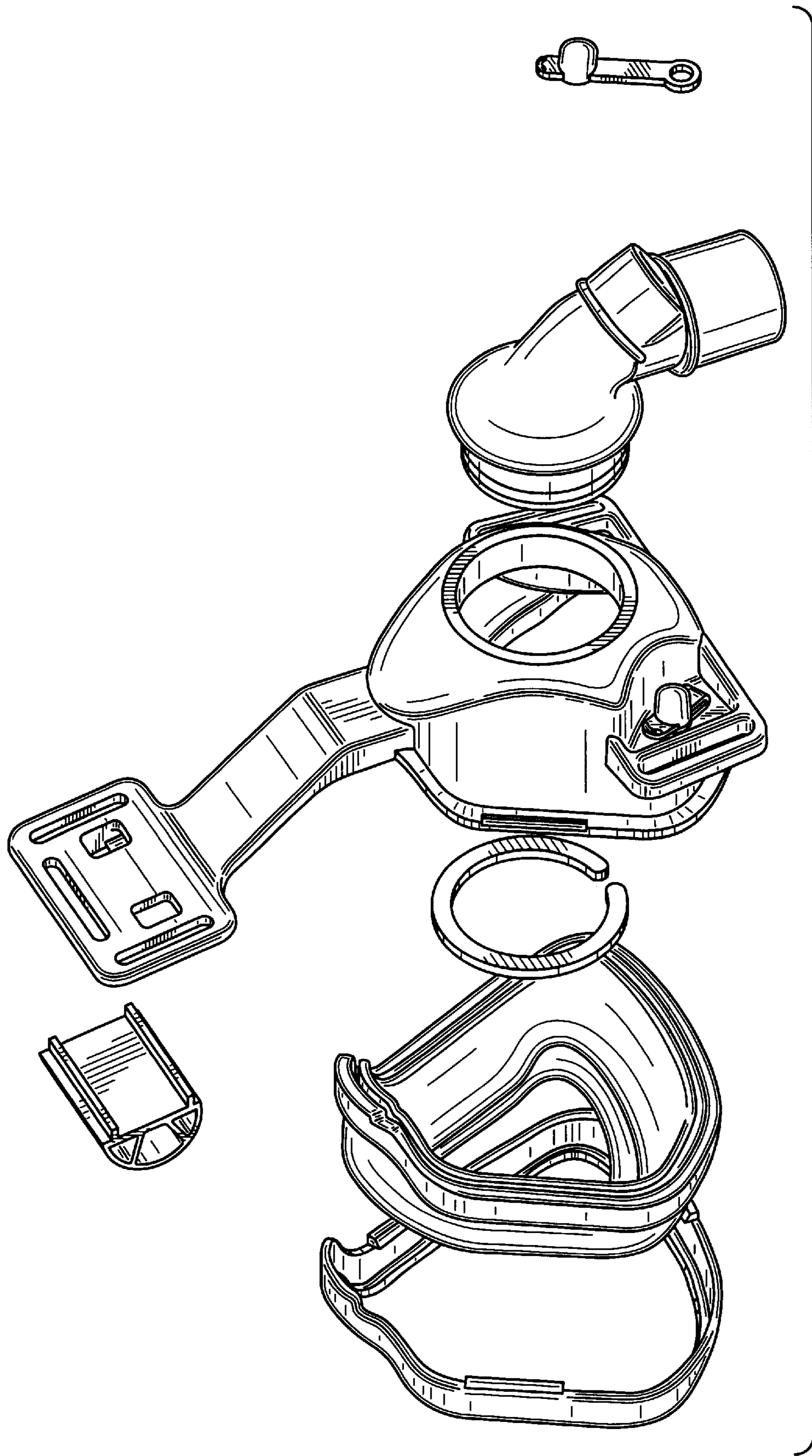


FIG. 7