

US00D468822S

(12) **United States Design Patent**  
**Greter**

(10) **Patent No.:** **US D468,822 S**

(45) **Date of Patent:** **\*\* Jan. 14, 2003**

(54) **BREASTPUMP**

(75) Inventor: **Andy Greter**, Steinhausen (CH)

(73) Assignee: **Medela Holding AG**, Baar (CH)

(\*\*) Term: **14 Years**

(21) Appl. No.: **29/157,152**

(22) Filed: **Mar. 14, 2002**

(51) **LOC (7) Cl.** ..... **24-02**

(52) **U.S. Cl.** ..... **D24/109; D24/108; D24/111**

(58) **Field of Search** ..... **D24/109, 111,**  
**D24/108; 604/74, 76, 73, 152**

(56) **References Cited**

**U.S. PATENT DOCUMENTS**

5,601,531	A *	2/1997	Silver	.....	604/74
5,720,722	A *	2/1998	Lockridge	.....	604/74
6,257,847	B1 *	7/2001	Silver et al.	.....	604/74

\* cited by examiner

*Primary Examiner*—Ian Simmons

(74) *Attorney, Agent, or Firm*—Michael H. Baniak; Baniak Pine & Gannor

(57) **CLAIM**

The ornamental design for a breastpump, as shown and described.

**DESCRIPTION**

FIG. 1 is a front perspective view of a breastpump showing my new design;

FIG. 2 is an elevational view looking at the right-hand side of the breastpump shown in FIG. 1;

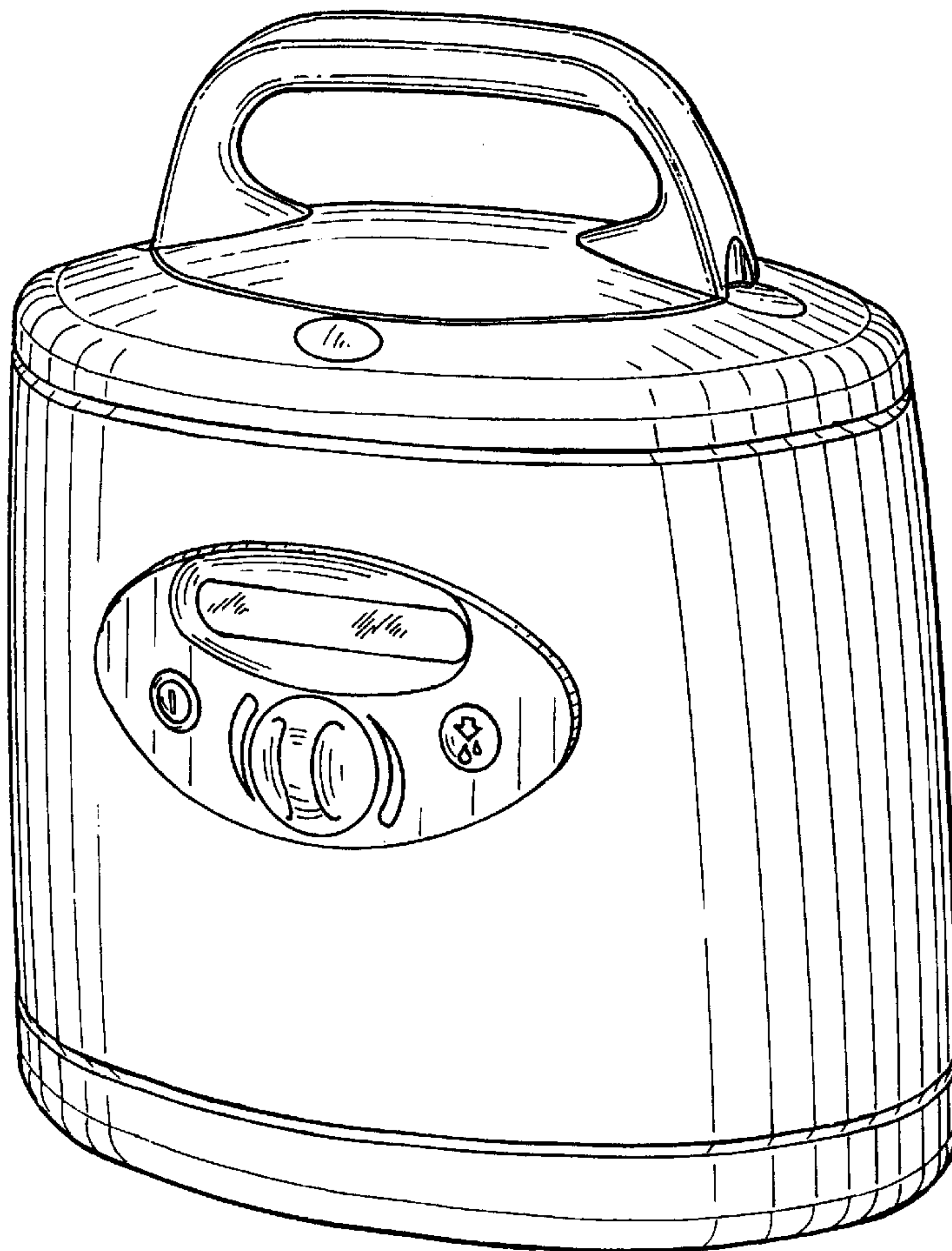
FIG. 3 is an end view of the top of the breastpump shown in FIG. 1;

FIG. 4 is a front elevational view of the breastpump shown in FIG. 1;

FIG. 5 is an elevational view looking at the backside of the breastpump shown in FIG. 1; and,

FIG. 6 is an end view of the bottom of the breastpump shown in FIG. 1.

**1 Claim, 3 Drawing Sheets**



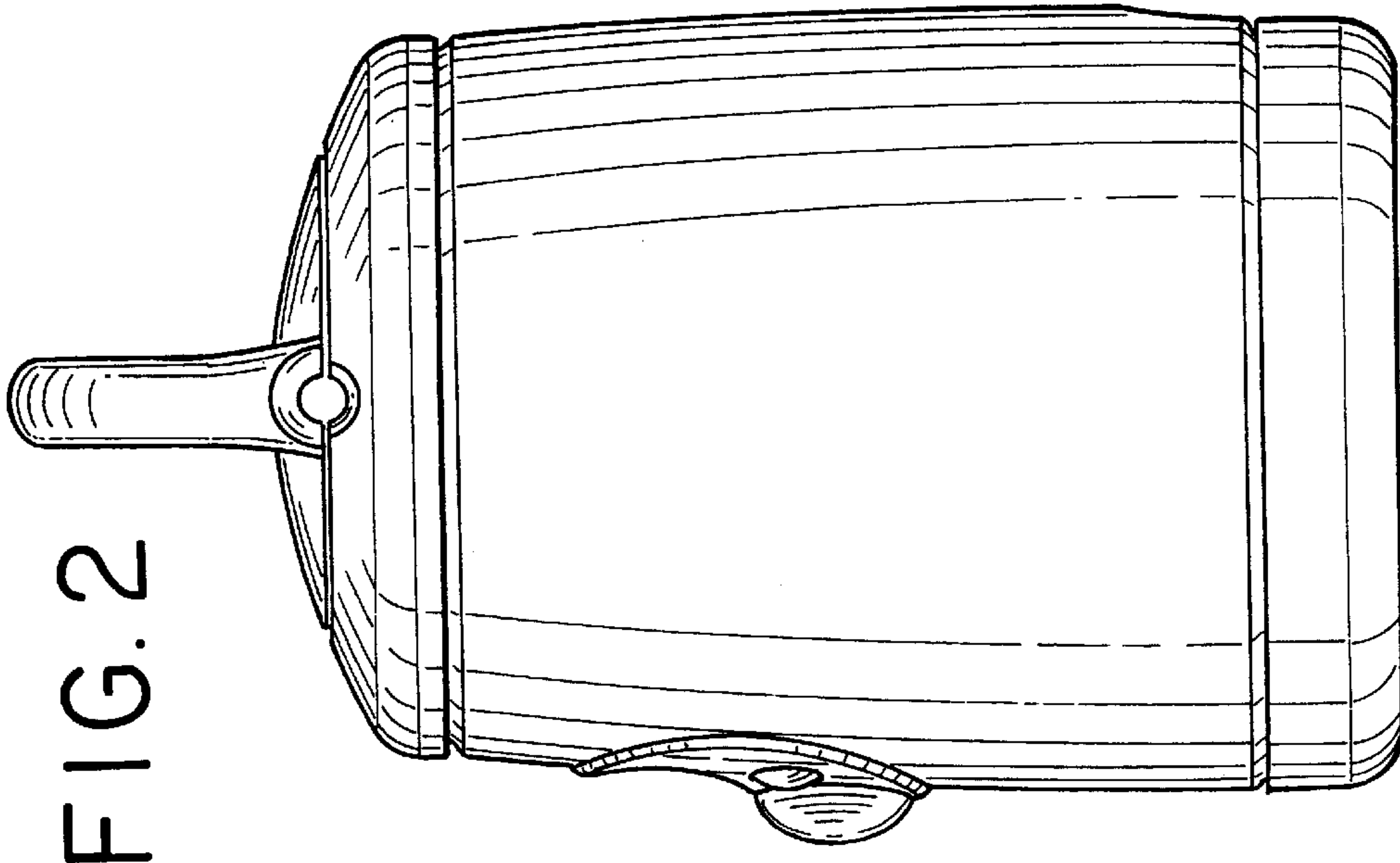


FIG. 2

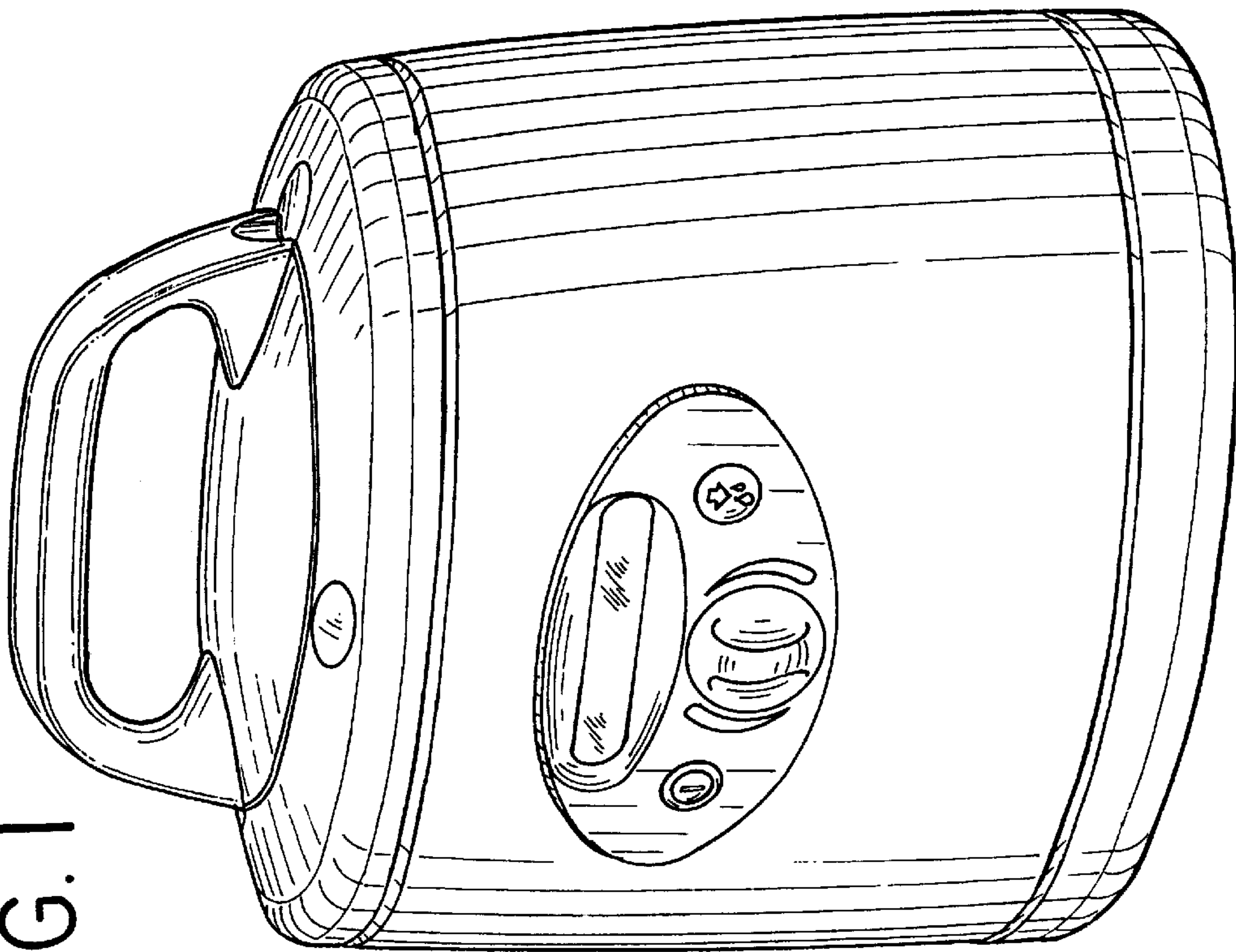


FIG. 1

FIG. 3

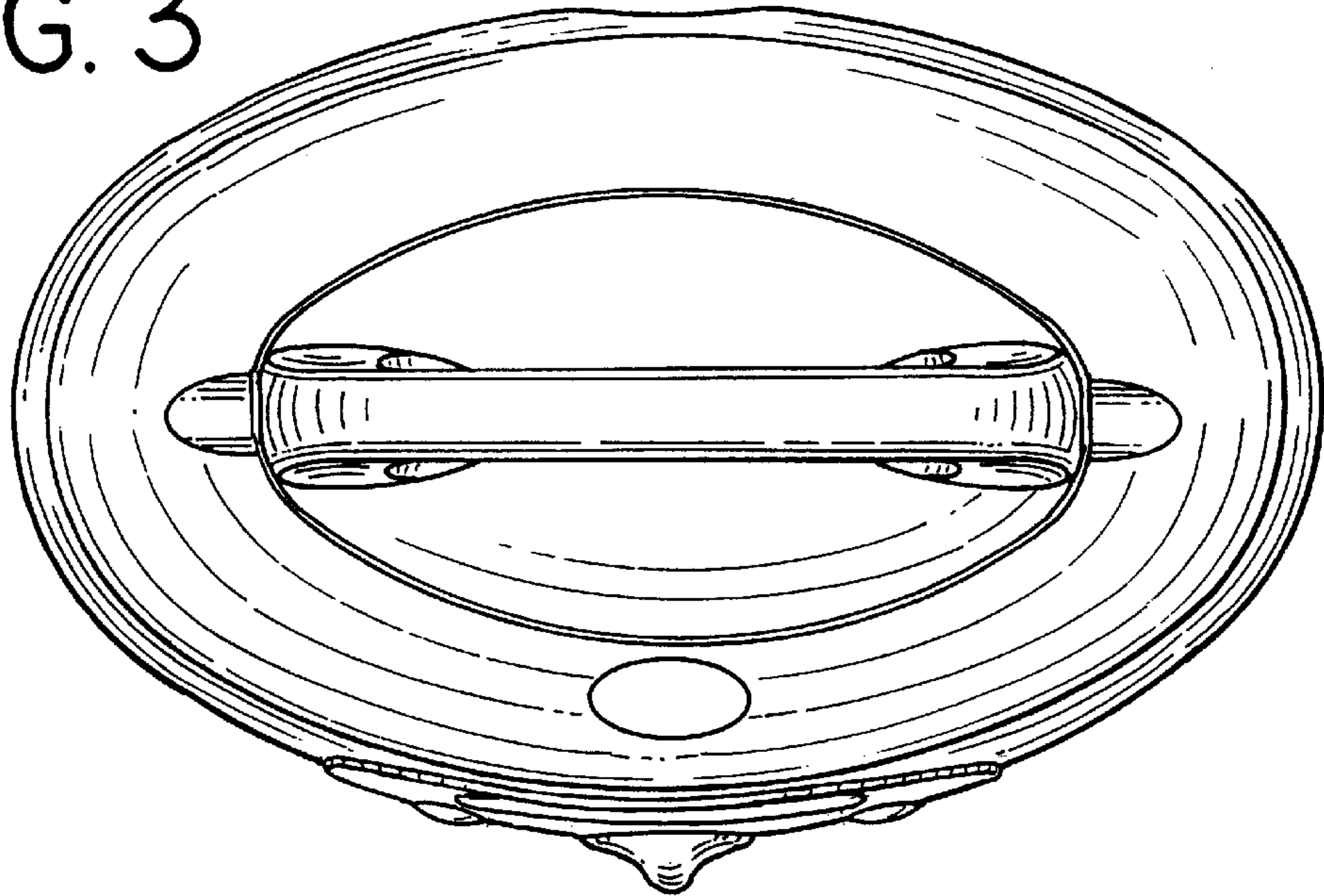


FIG. 4

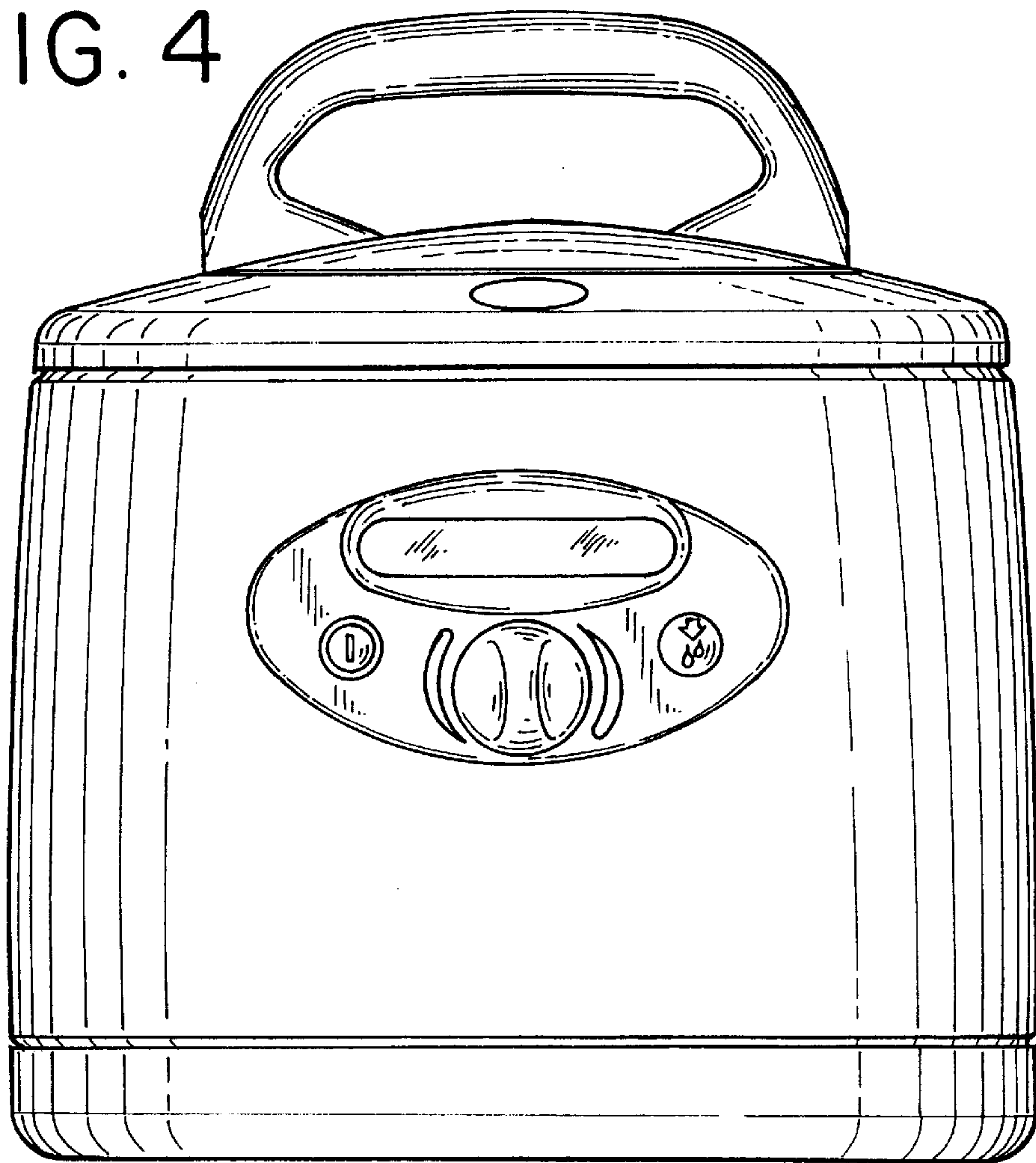




FIG. 5

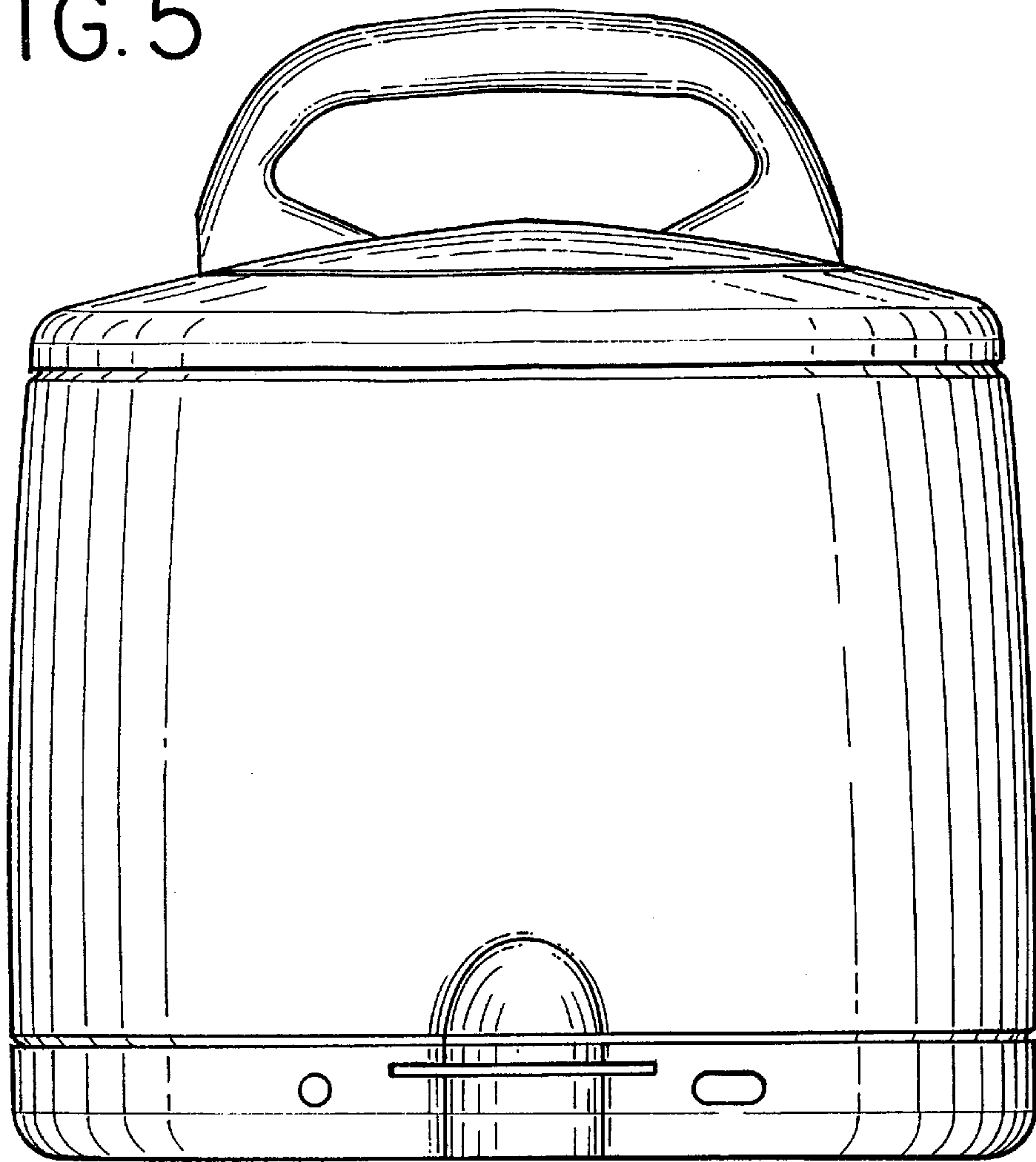
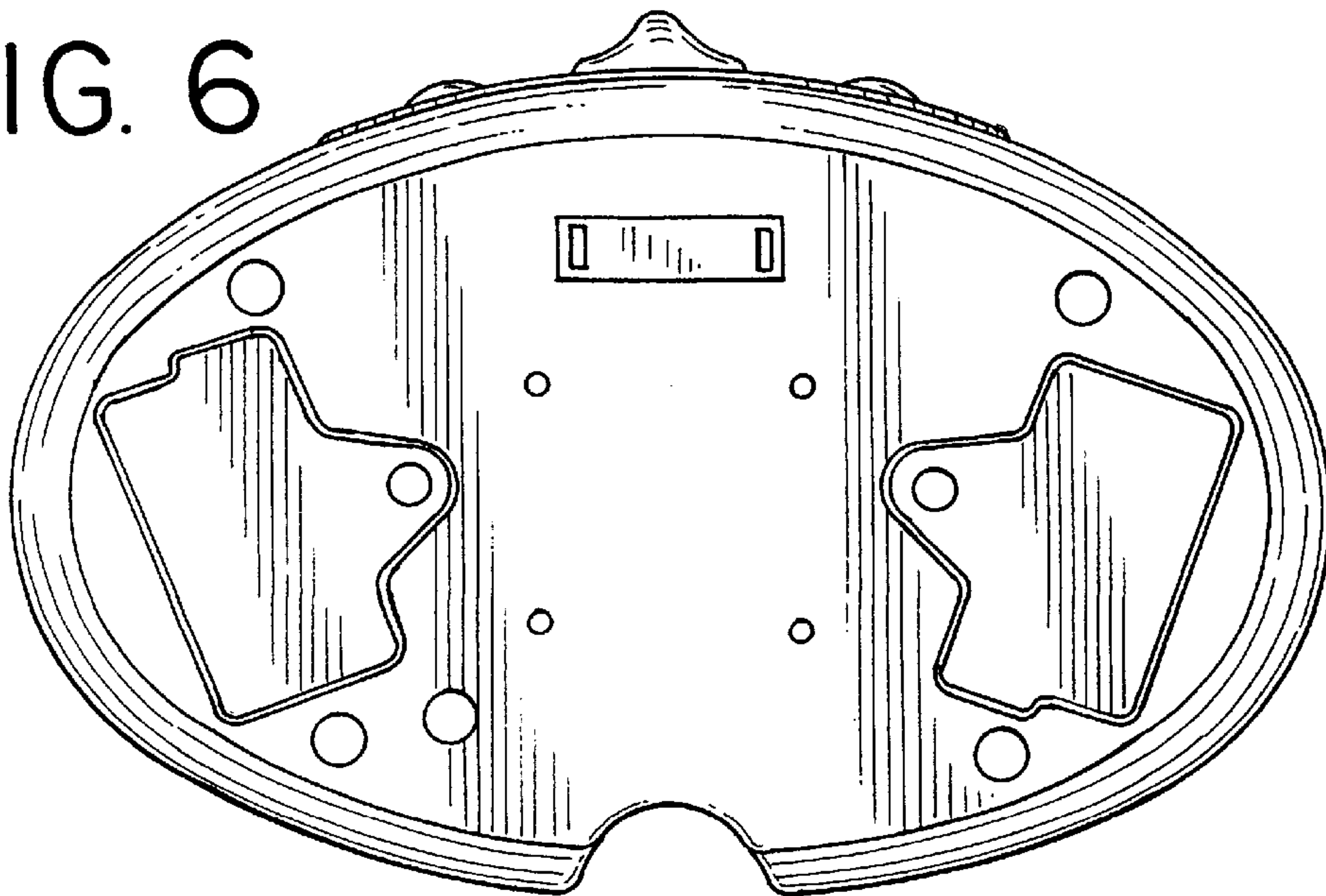


FIG. 6



UNITED STATES PATENT AND TRADEMARK OFFICE  
**CERTIFICATE OF CORRECTION**

PATENT NO. : Des. 468,822 S  
DATED : January 14, 2003  
INVENTOR(S) : Andy Greter

Page 1 of 1

It is certified that error appears in the above-identified patent and that said Letters Patent is hereby corrected as shown below:

Title page,

Item [74], *Attorney, Agent, or Firm*, please replace "Gannor" with -- Gannon --.

Signed and Sealed this

Twenty-second Day of July, 2003

A handwritten signature in black ink, appearing to read "James E. Rogan", with a horizontal line drawn underneath it.

JAMES E. ROGAN  
*Director of the United States Patent and Trademark Office*