



US00D468821S

(12) **United States Design Patent**  
**Hunter**

(10) **Patent No.:** **US D468,821 S**

(45) **Date of Patent:** **\*\* Jan. 14, 2003**

(54) **AIR FILTER MOUNT**

(76) **Inventor:** **Shane Hunter**, 72 Fletcher Street,  
Edgeworth NSW 2285 (AU)

(\*\*) **Term:** **14 Years**

(21) **Appl. No.:** **29/146,377**

(22) **Filed:** **Aug. 8, 2001**

(51) **LOC (7) Cl.** ..... **23-04**

(52) **U.S. Cl.** ..... **D23/365**

(58) **Field of Search** ..... **D23/365; 55/529**

(56) **References Cited**

**U.S. PATENT DOCUMENTS**

D440,295 S \* 4/2001 Honma ..... D23/365

\* cited by examiner

*Primary Examiner*—Lisa Lichtenstein

(74) *Attorney, Agent, or Firm*—Jordan and Hamburg LLP

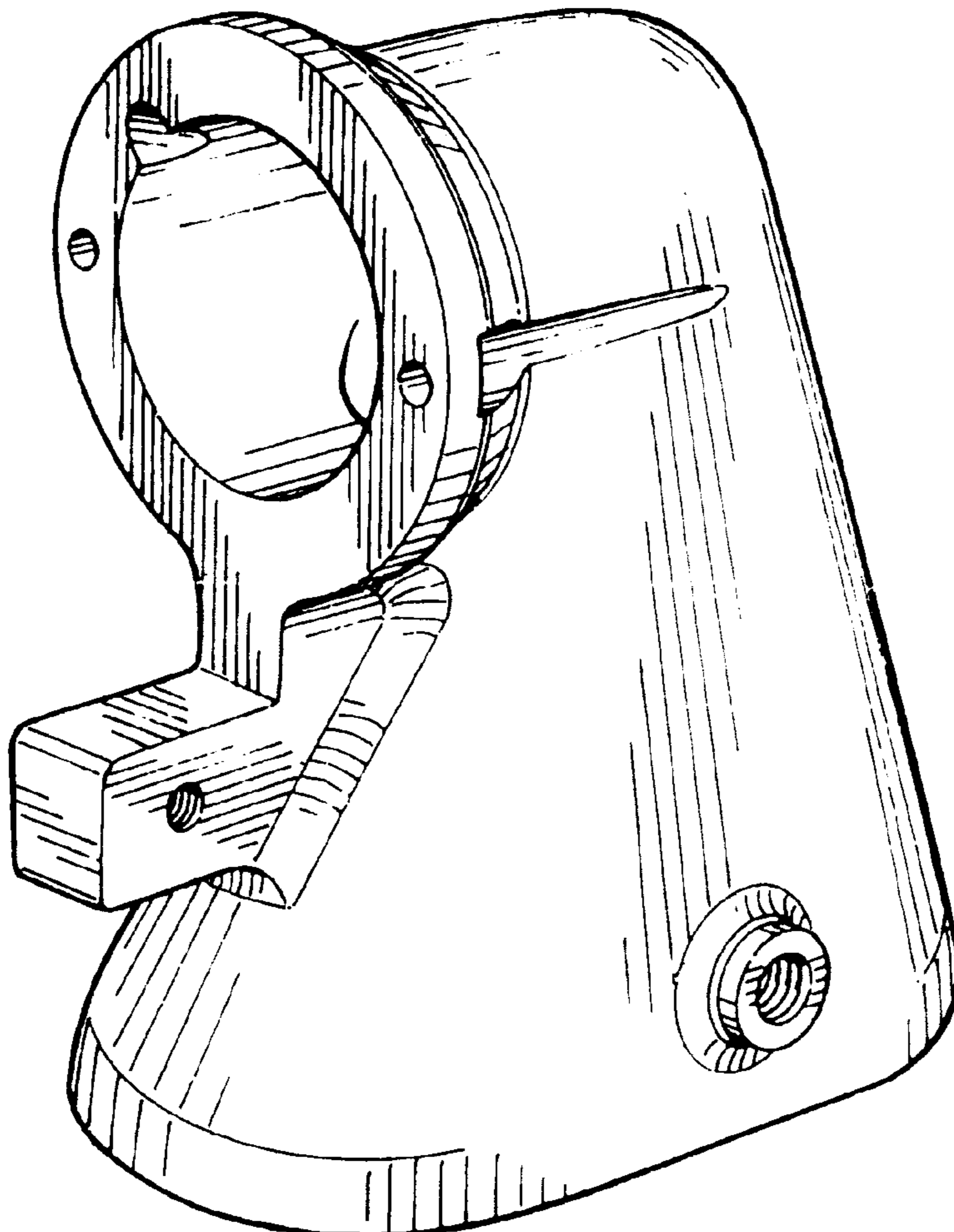
(57) **CLAIM**

The ornamental design for an air filter mount, as shown and described.

**DESCRIPTION**

FIG. 1 is a perspective view of an air filter mount showing my new design;  
FIG. 2 is an end view thereof;  
FIG. 3 is an end view thereof when viewed in a direction opposite to that shown in FIG. 2;  
FIG. 4 is a side elevation view thereof;  
FIG. 5 is an opposite side view to that shown in FIG. 4, being substantially a mirror image of that shown except for the inlet near the bottom and a threaded cavity on a side protrusion;  
FIG. 6 is a top plan view thereof;  
FIG. 7 is a bottom plan view thereof; and,  
FIG. 8 is a perspective view of an air filter mount showing my new design, the figure showing how the air filter mount is attached to an air filter, the broken line showing of environmental structure being for illustrative purposes only and forming no part of the claimed design.

**1 Claim, 3 Drawing Sheets**



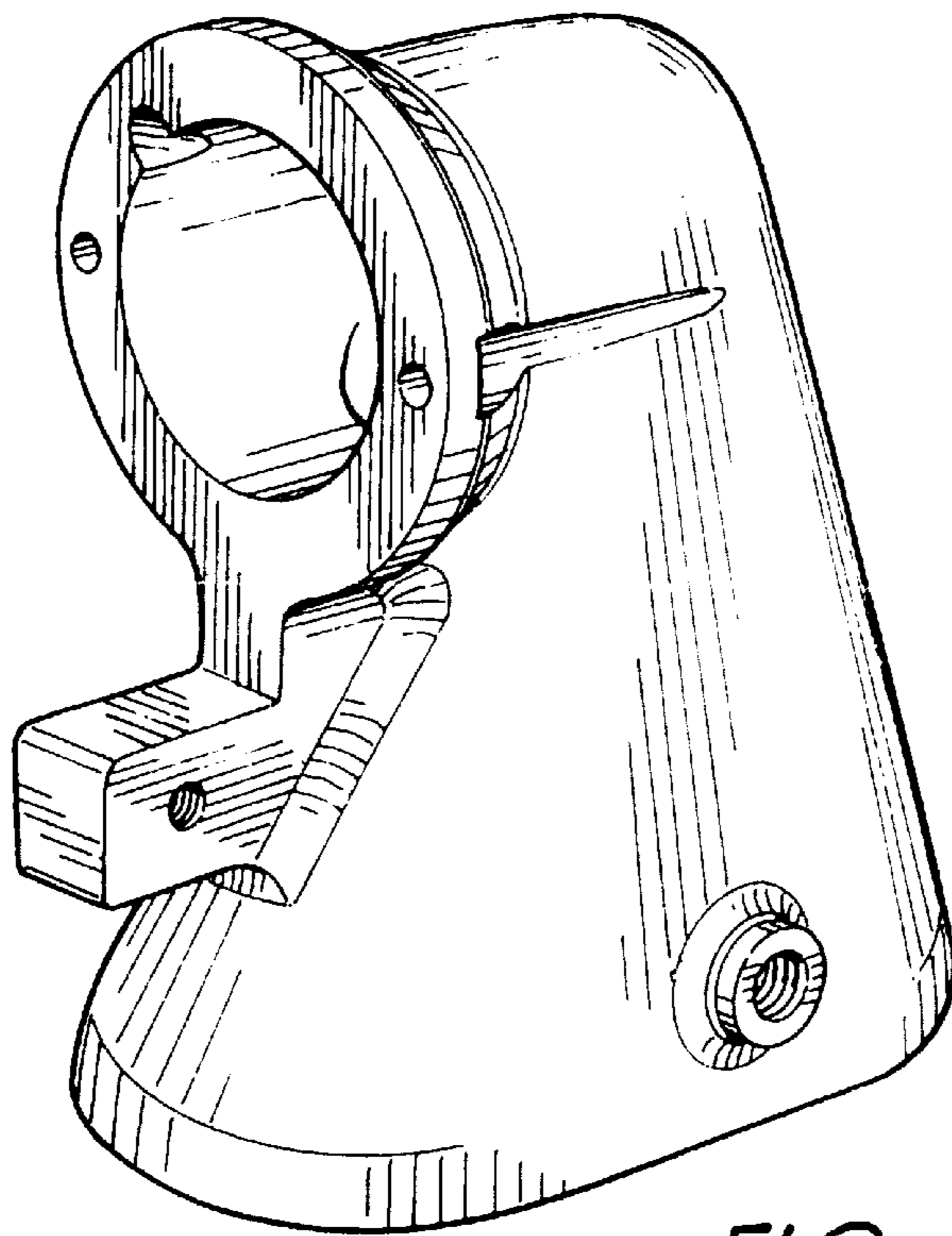


FIG. 1

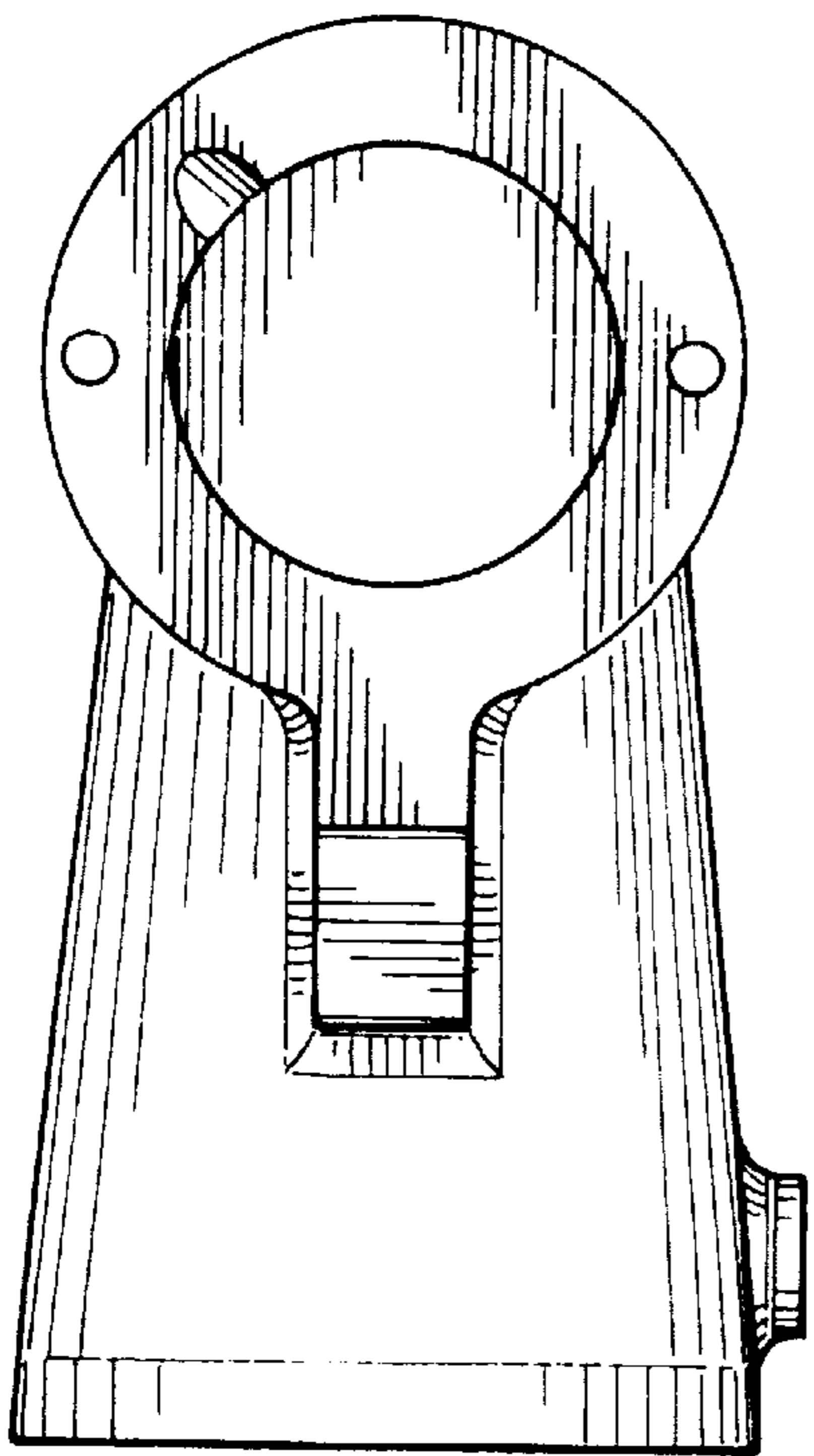


FIG. 2

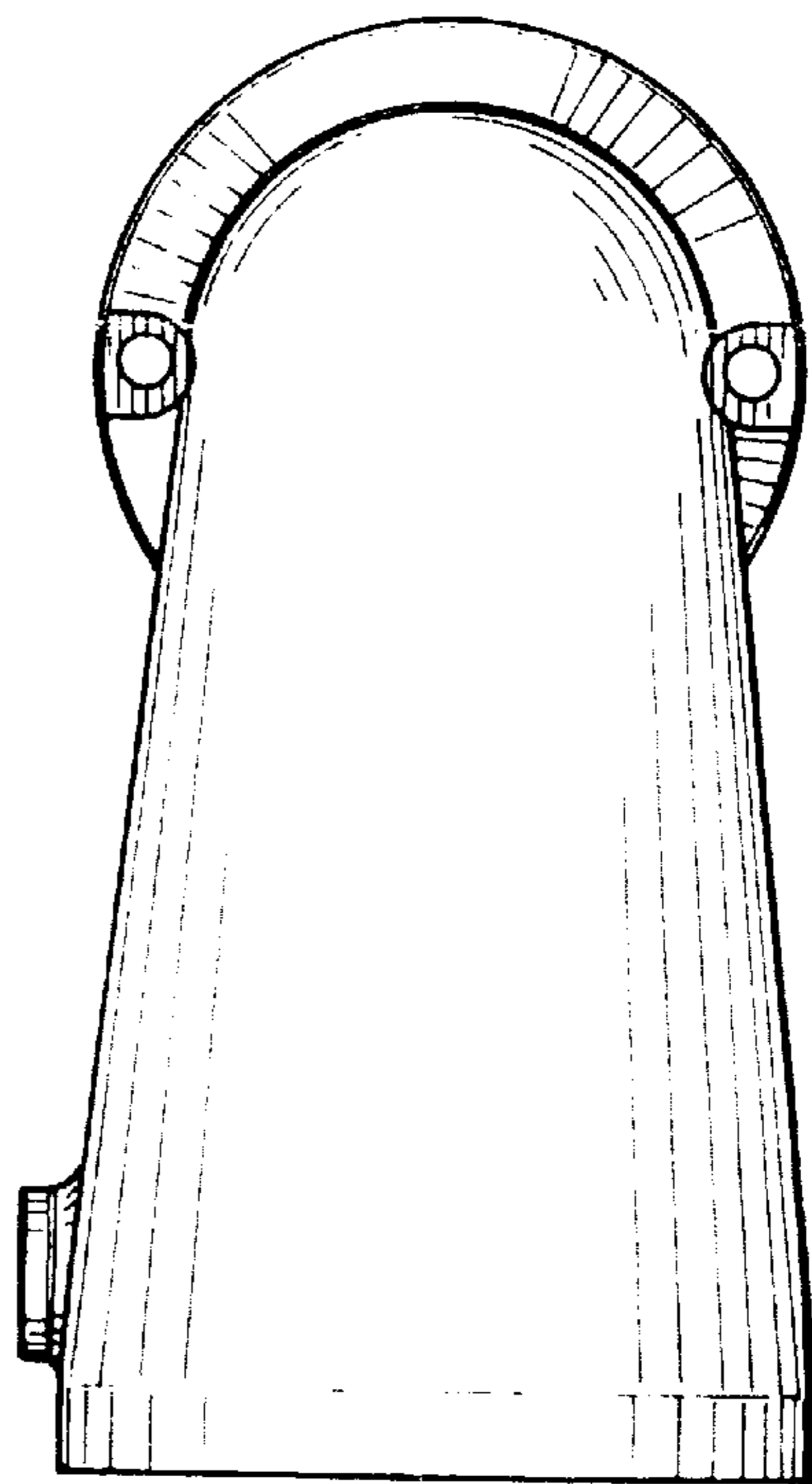


FIG. 3

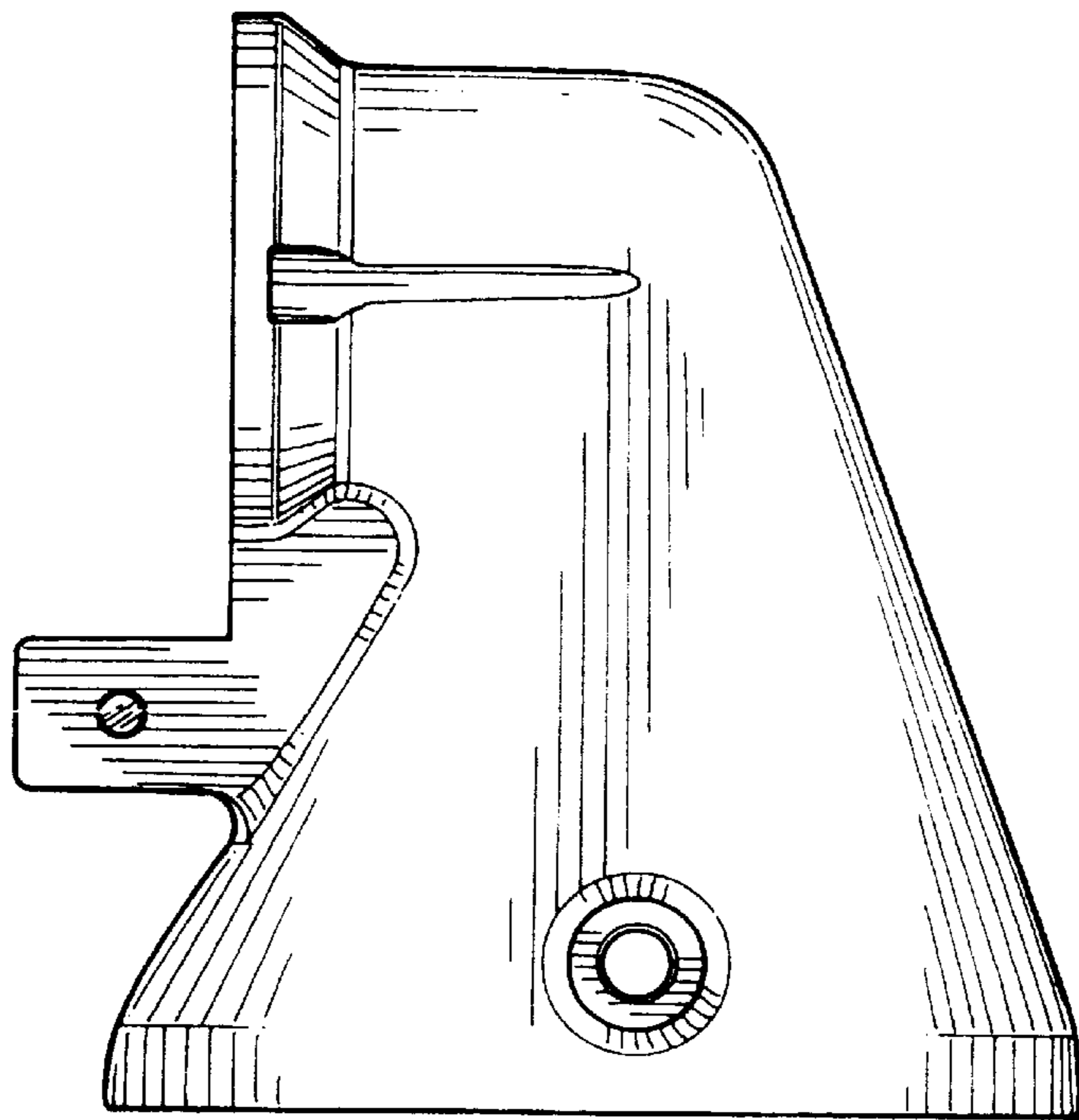


FIG. 4

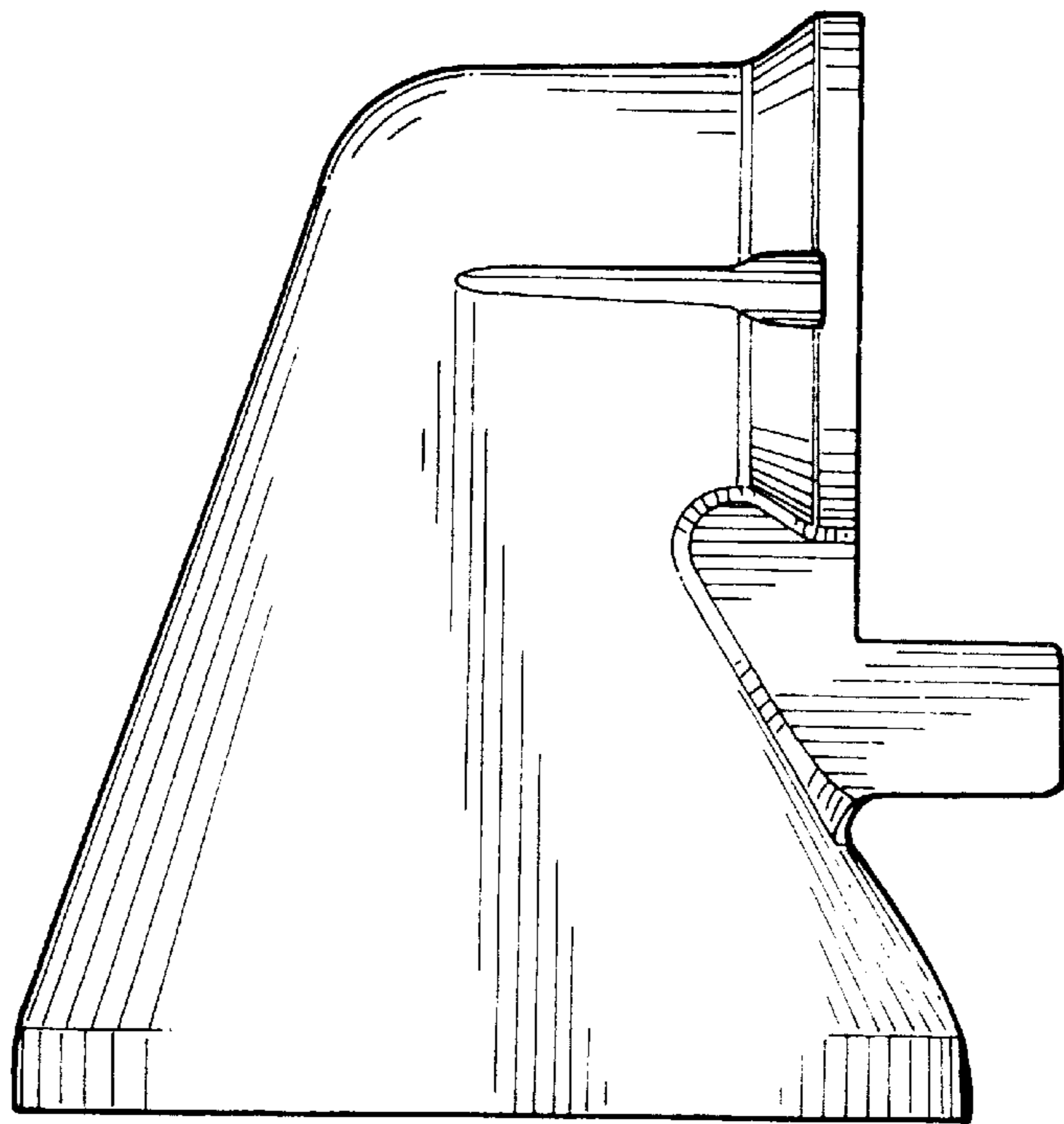


FIG. 5

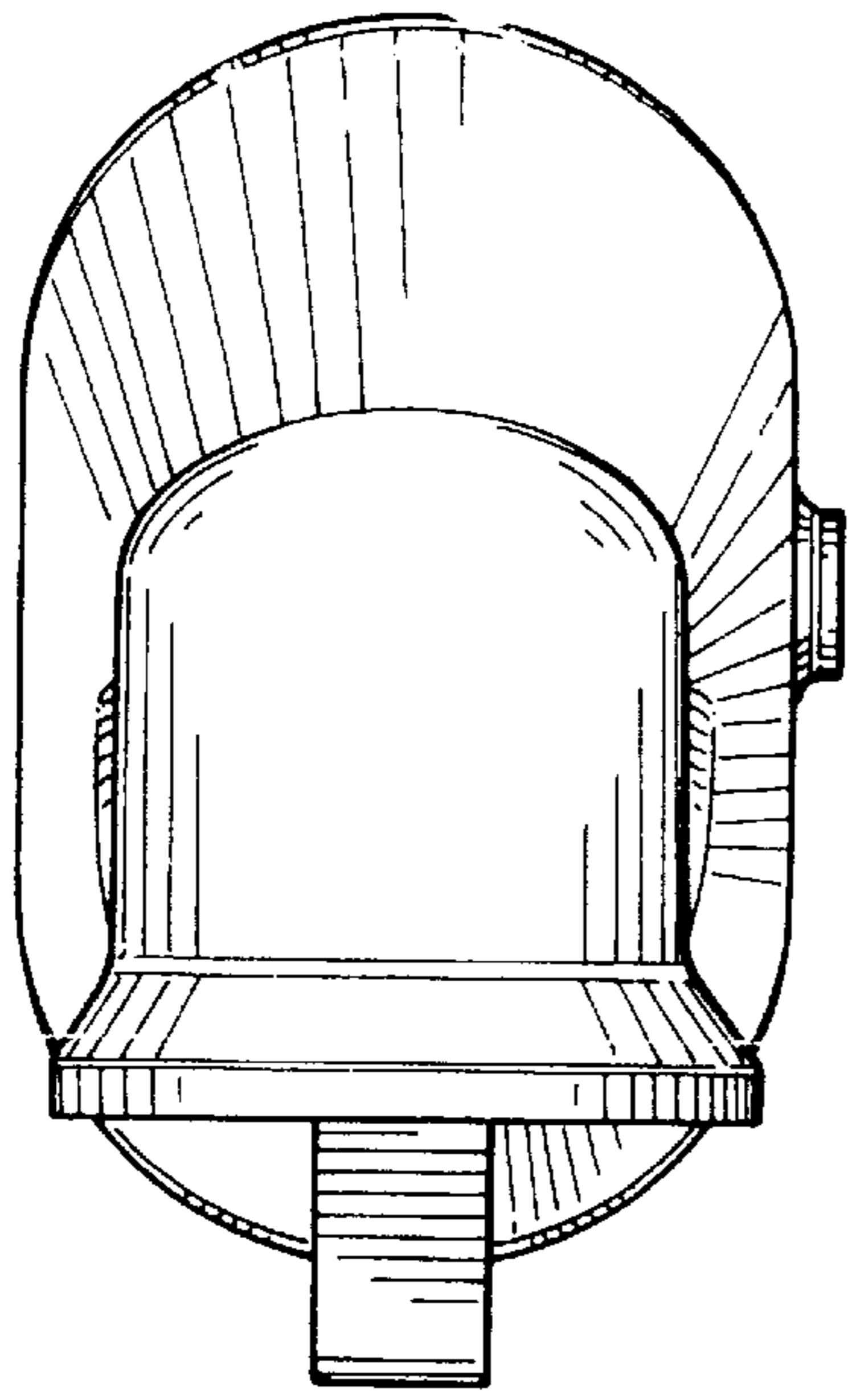


FIG. 6

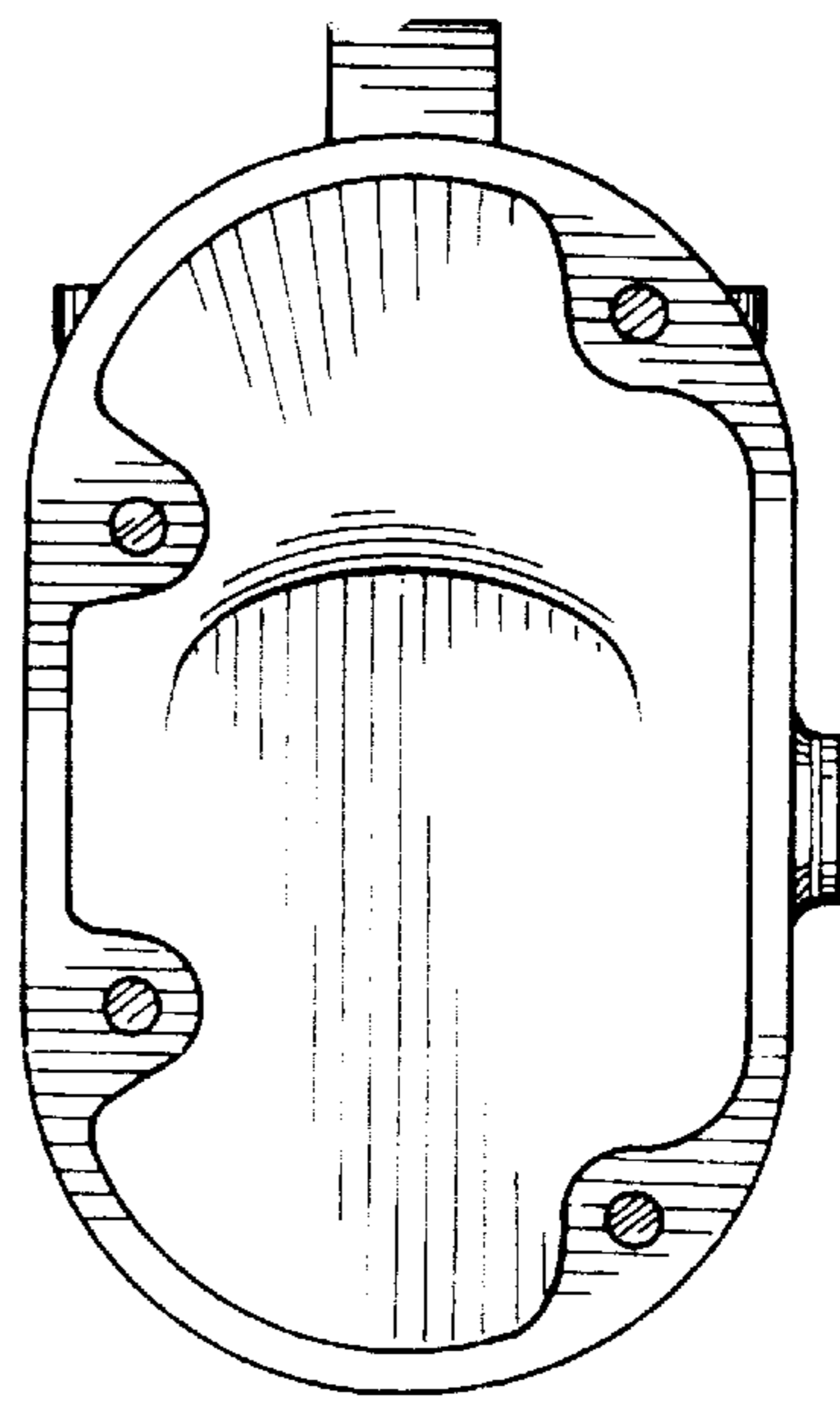


FIG. 7

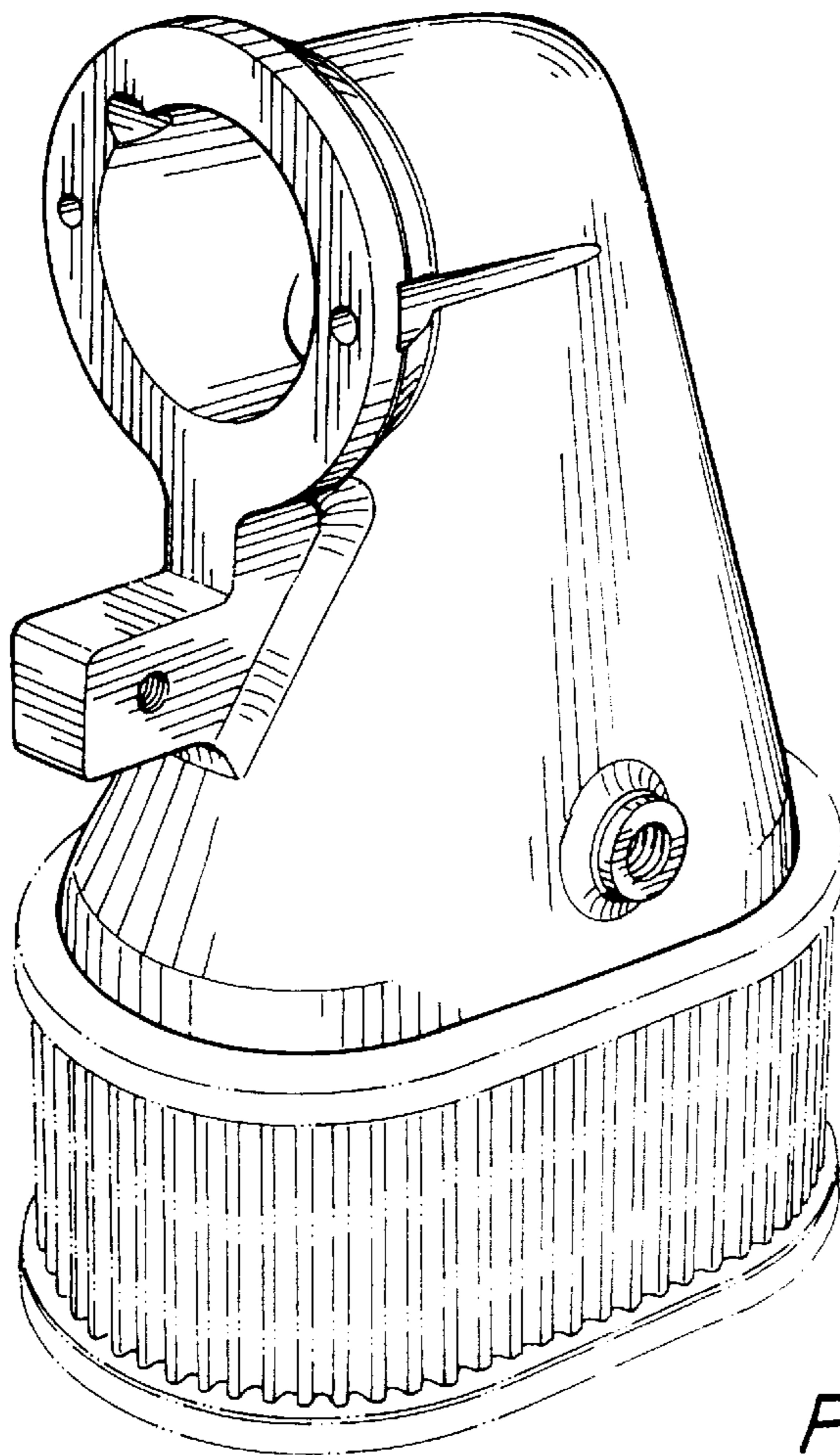


FIG. 8