



US00D468817S

(12) **United States Design Patent**
Chen

(10) **Patent No.:** **US D468,817 S**

(45) **Date of Patent:** **** Jan. 14, 2003**

(54) **LAVATORY BASIN**

(76) Inventor: **Joe Chen**, 40 Bedminster Rd.,
Randolph, NJ (US) 07869

(**) Term: **14 Years**

(21) Appl. No.: **29/148,188**

(22) Filed: **Sep. 17, 2001**

(51) **LOC (7) Cl.** **23-02**

(52) **U.S. Cl.** **D23/293.1**

(58) **Field of Search** D23/284-285,
D23/287, 290, 292, 293.1, 308; 4/619,
625, 627, 630-635, 637, 639, 642-652,
660

(56) **References Cited**

U.S. PATENT DOCUMENTS

580,136 A	*	4/1897	Lloyd	4/651
D320,263 S	*	9/1991	Kohler, Jr. et al.	D23/293.1
D368,959 S	*	4/1996	Kaiser	D23/293.1
D371,190 S	*	6/1996	Kaiser	D23/293.1
D396,270 S	*	7/1998	Slothower	D23/292
D421,104 S	*	2/2000	Kawamura	D23/284
D441,853 S	*	5/2001	Roberts	D23/293.1

OTHER PUBLICATIONS

K-2189-1, Portrait Lavatory, Kohler Online Catalog,
www.Kohler.com no date.

Kohler, Roughing-In, Product notes related to K-2189
Portrait, Vitreous China Self-Rimming Lavatory, Kohler no
date.

* cited by examiner

Primary Examiner—Louis S. Zarfes

Assistant Examiner—Robert A Delehanty

(74) *Attorney, Agent, or Firm*—Dilworth & Barrese, LLP

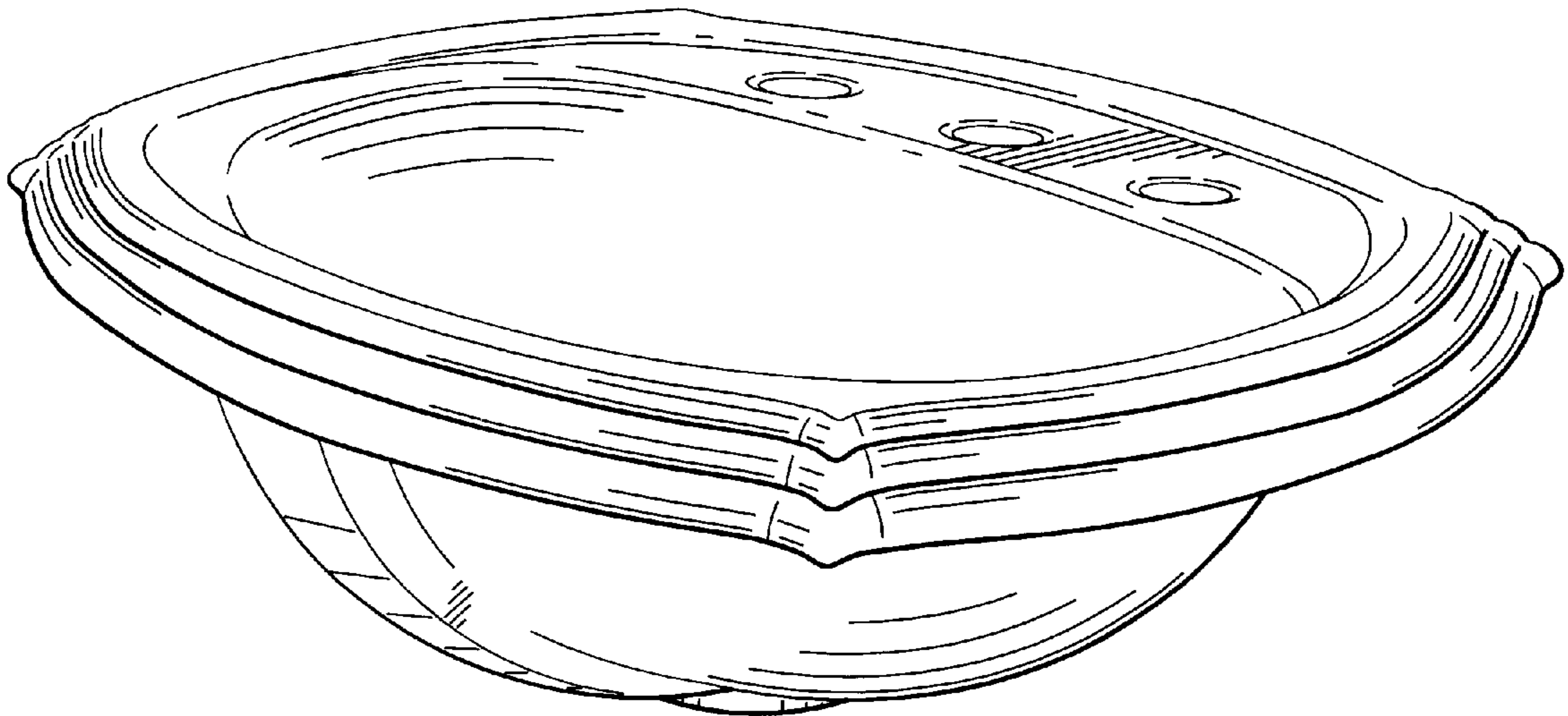
(57) **CLAIM**

The ornamental design of a lavatory basin, as shown and
described.

DESCRIPTION

FIG. 1 is a perspective view of the lavatory basin;
FIG. 2 is a right side elevational view of the lavatory basin,
the left side elevational view being a mirror image of the
right side elevational view;
FIG. 3 is a front elevational view of the lavatory basin;
FIG. 4 is a rear elevational view of the lavatory basin;
FIG. 5 is a top plan view of the lavatory basin; and,
FIG. 6 is a bottom view of the lavatory basin.

1 Claim, 3 Drawing Sheets



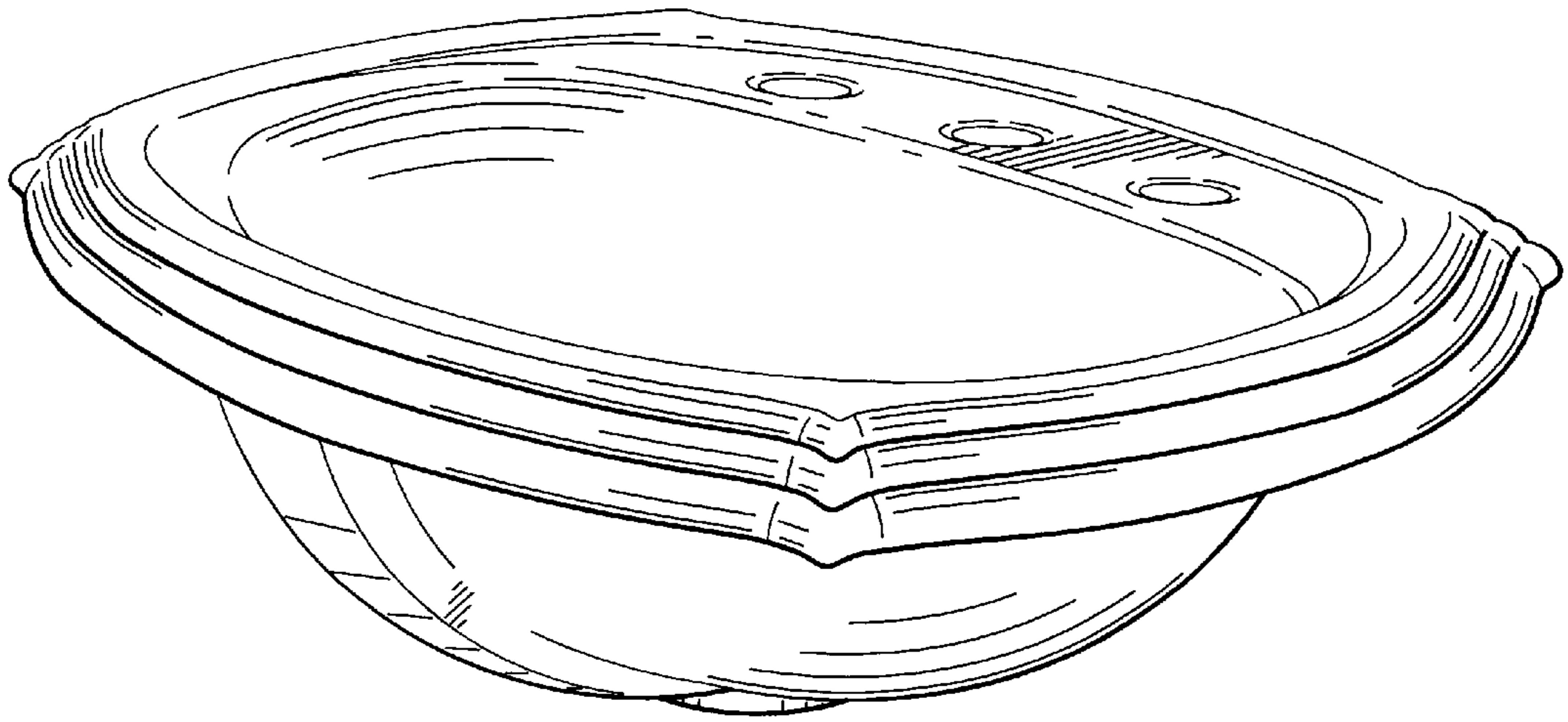


FIG 1

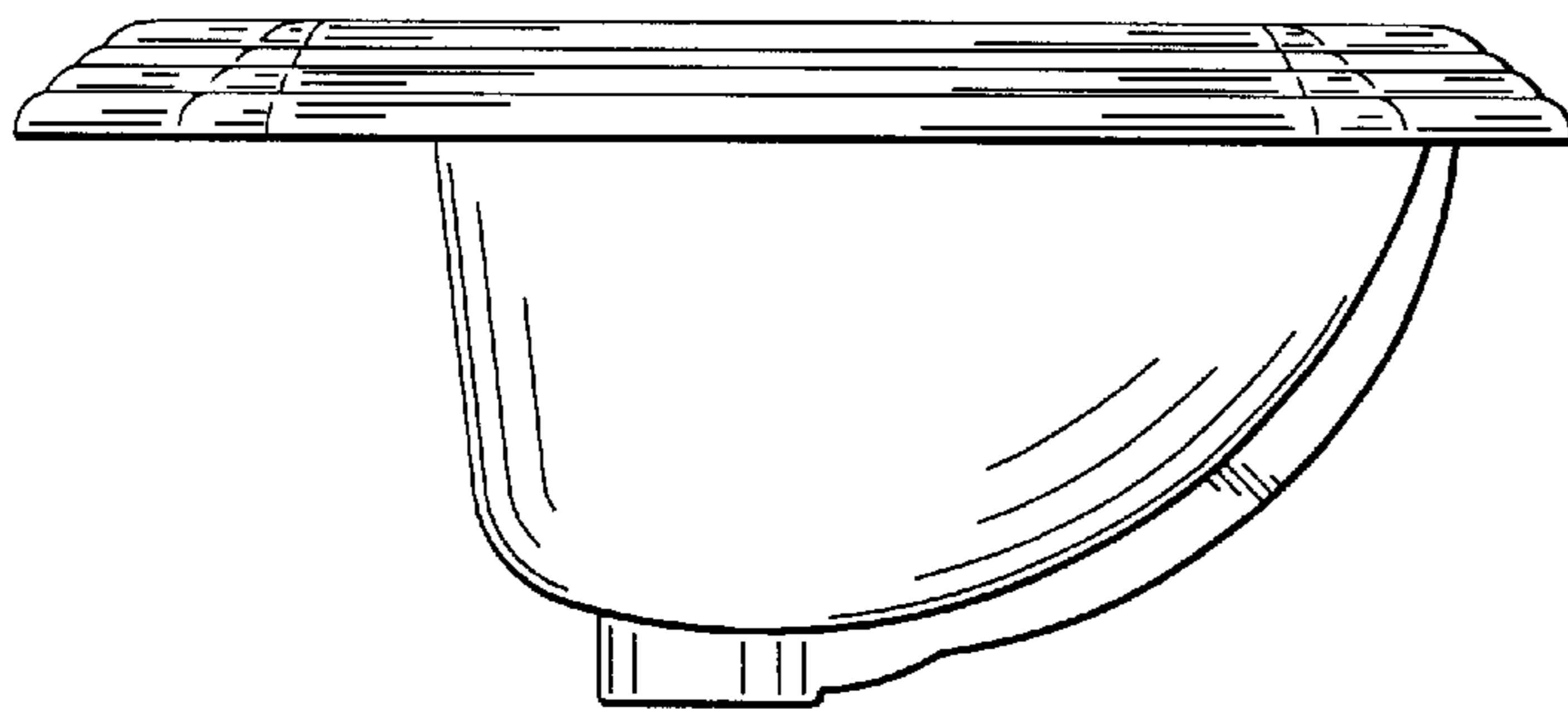


FIG 2

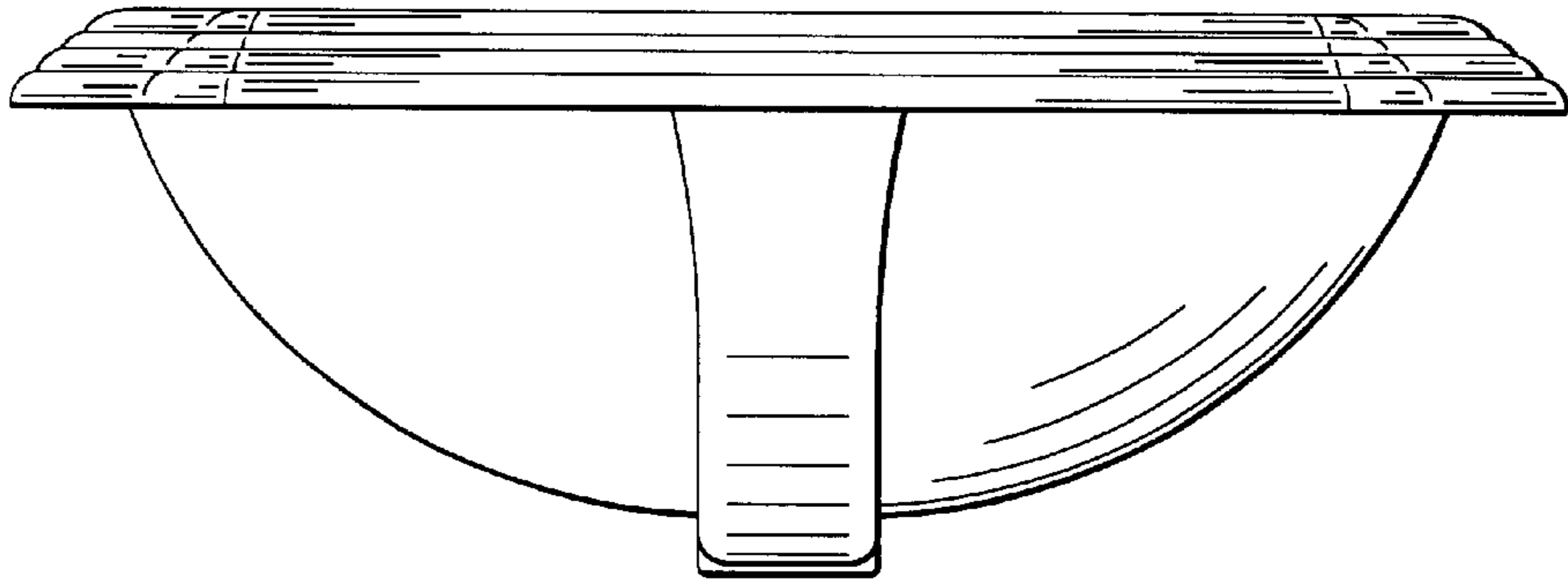


FIG 3

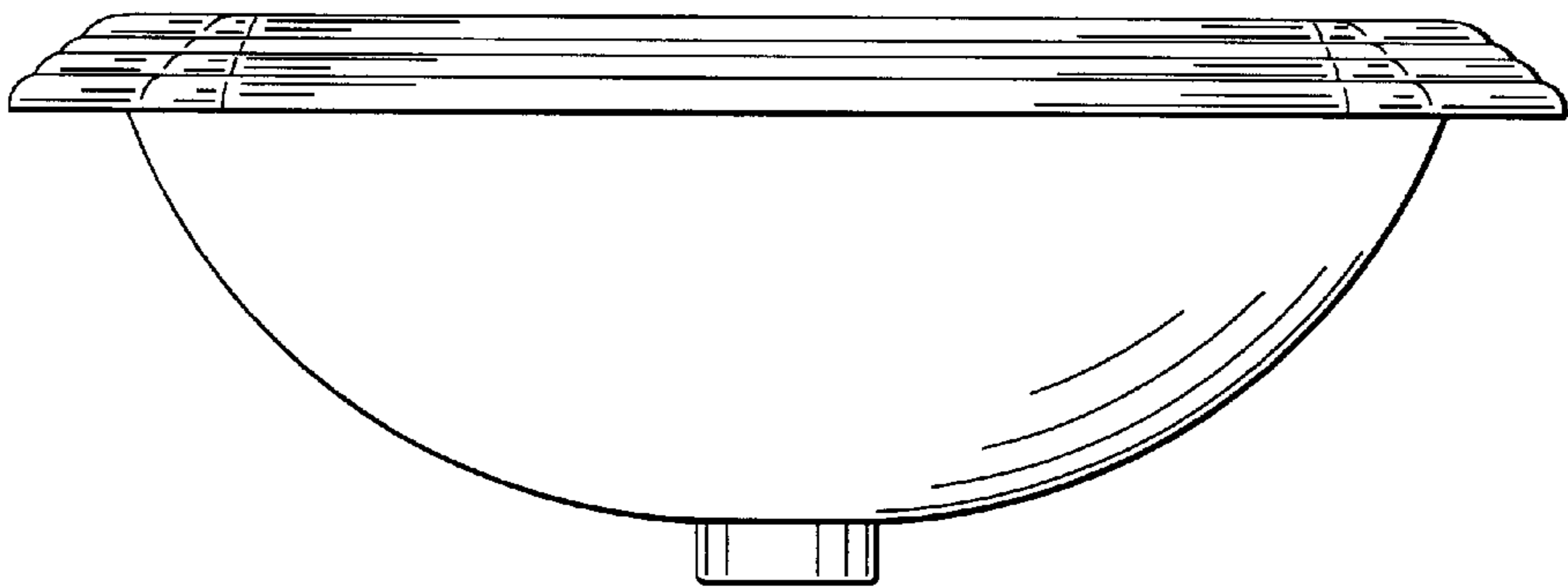


FIG 4

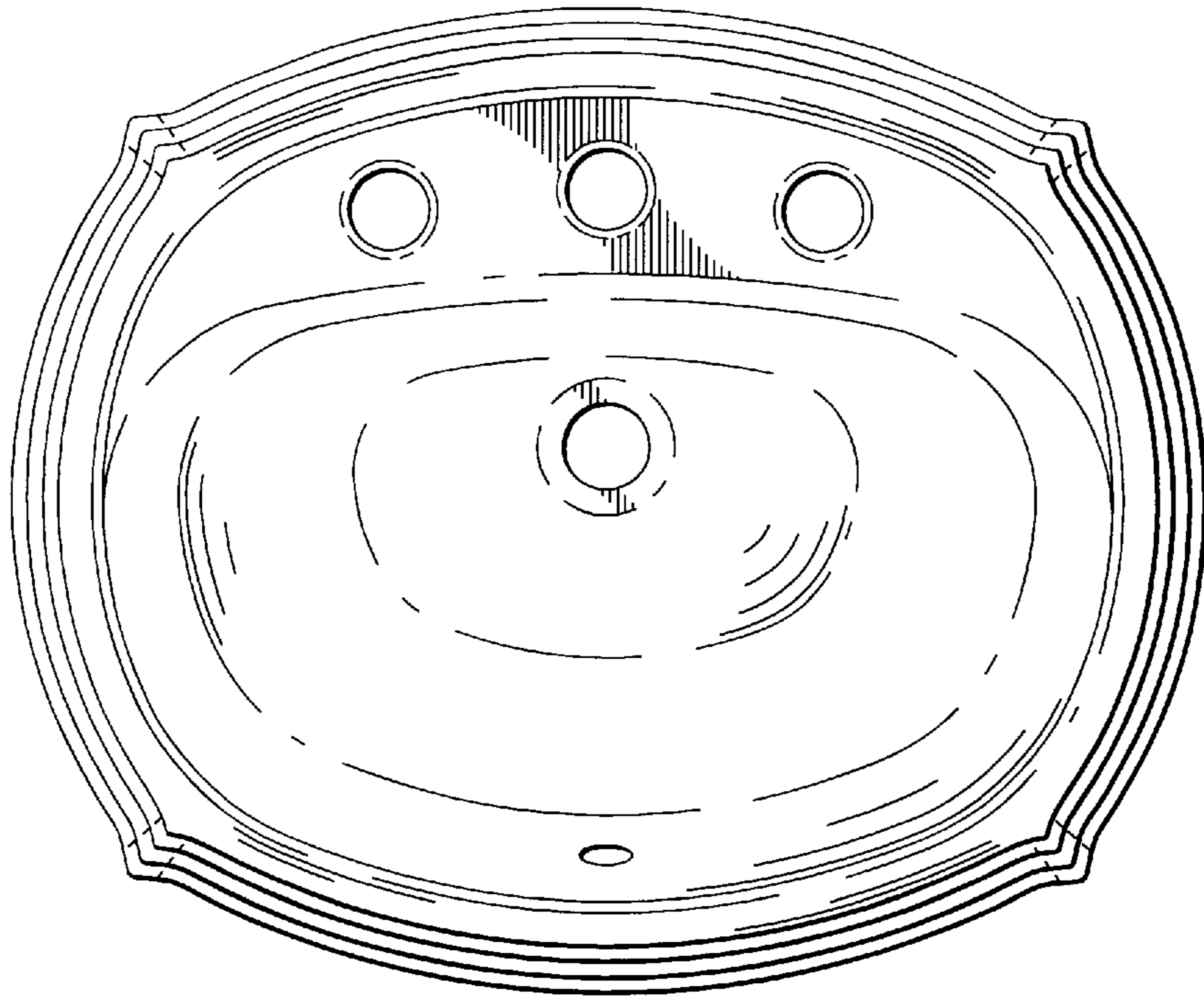


FIG 5

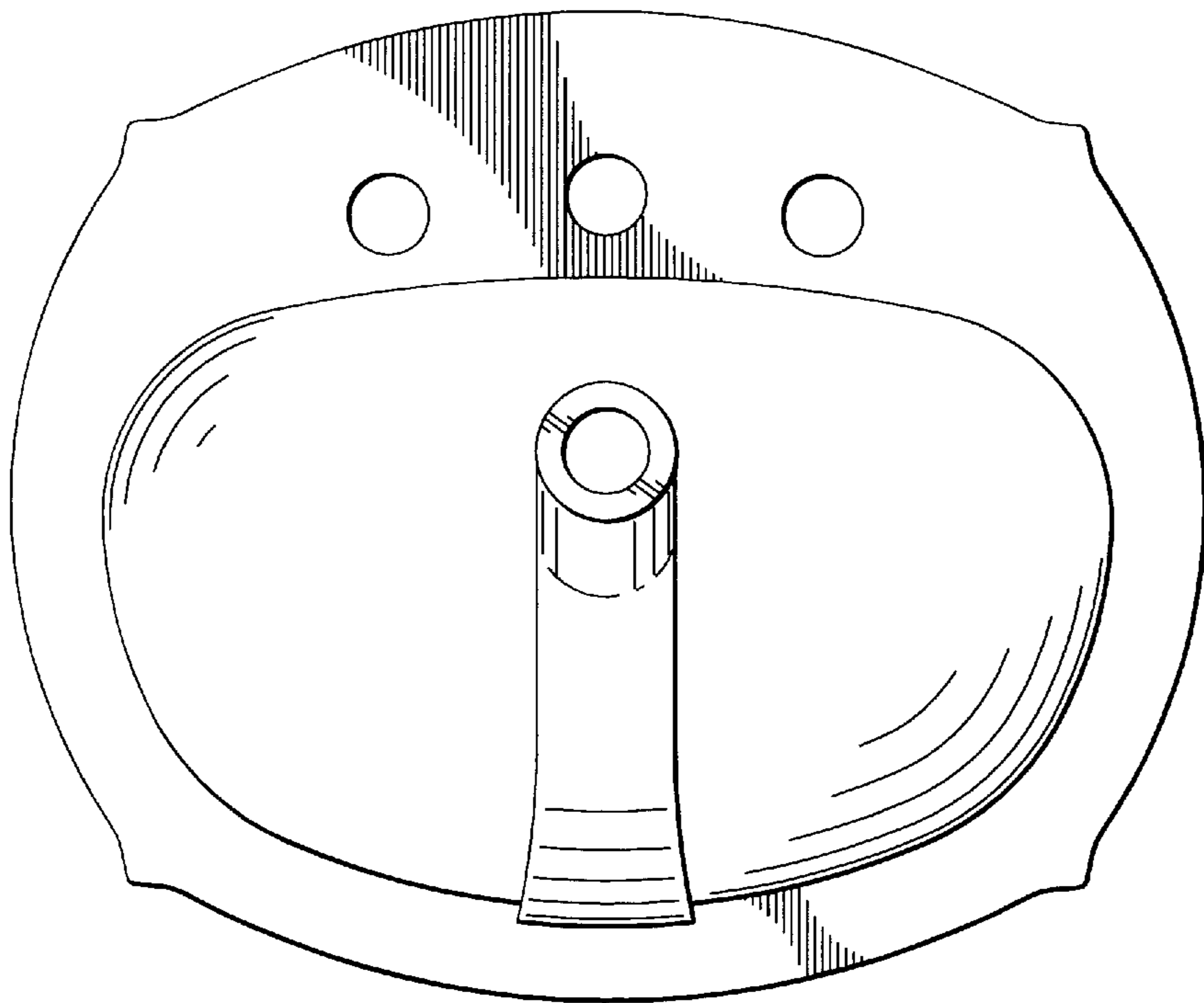


FIG 6