



US00D468815S

(12) **United States Design Patent**
Kahle et al.

(10) **Patent No.:** **US D468,815 S**

(45) **Date of Patent:** **** Jan. 14, 2003**

(54) **SINK HAVING HIDDEN DRAIN**

(75) Inventors: **Robert E. Kahle**, Laguna Niguel, CA (US); **David P. Molinaro**, Diamond Bar, CA (US)

(73) Assignee: **Acorn Engineering Company**, City of Industry, CA (US)

(**) Term: **14 Years**

(21) Appl. No.: **29/154,079**

(22) Filed: **Jan. 16, 2002**

(51) **LOC (7) Cl.** **23-02**

(52) **U.S. Cl.** **D23/284**

(58) **Field of Search** D23/271-273,
D23/284-292, 293.1, 303, 308; 4/619-620,
624-628, 630-635, 637-643, 647-652,
656-661, 515-517

(56) **References Cited**

U.S. PATENT DOCUMENTS

450,895 A	*	4/1891	Shattuck	4/460
692,706 A	*	2/1902	Poate	4/640
925,574 A	*	6/1909	Frost	4/637
1,001,520 A	*	8/1911	Greason	4/656
1,116,913 A	*	11/1914	Peregoy	4/652
1,222,123 A	*	4/1917	Nysewander	4/642
D58,152 S	*	6/1921	Maganuco	D23/293.1
2,421,808 A	*	6/1947	Robertson	4/657

5,325,548 A	*	7/1994	Forbes et al.	4/638
6,017,462 A	*	1/2000	Rains	210/801
D446,575 S	*	8/2001	Ferrer Beltran	D23/293.1

* cited by examiner

Primary Examiner—Louis S. Zarfes

(74) *Attorney, Agent, or Firm*—Michael Best & Friedrich LLP

(57) **CLAIM**

We claim the ornamental design for a sink having hidden drain, as shown and described.

DESCRIPTION

FIG. 1 is a perspective view of a sink with hidden drain showing a first embodiment of my new design;

FIG. 2 is a perspective view showing a second embodiment thereof;

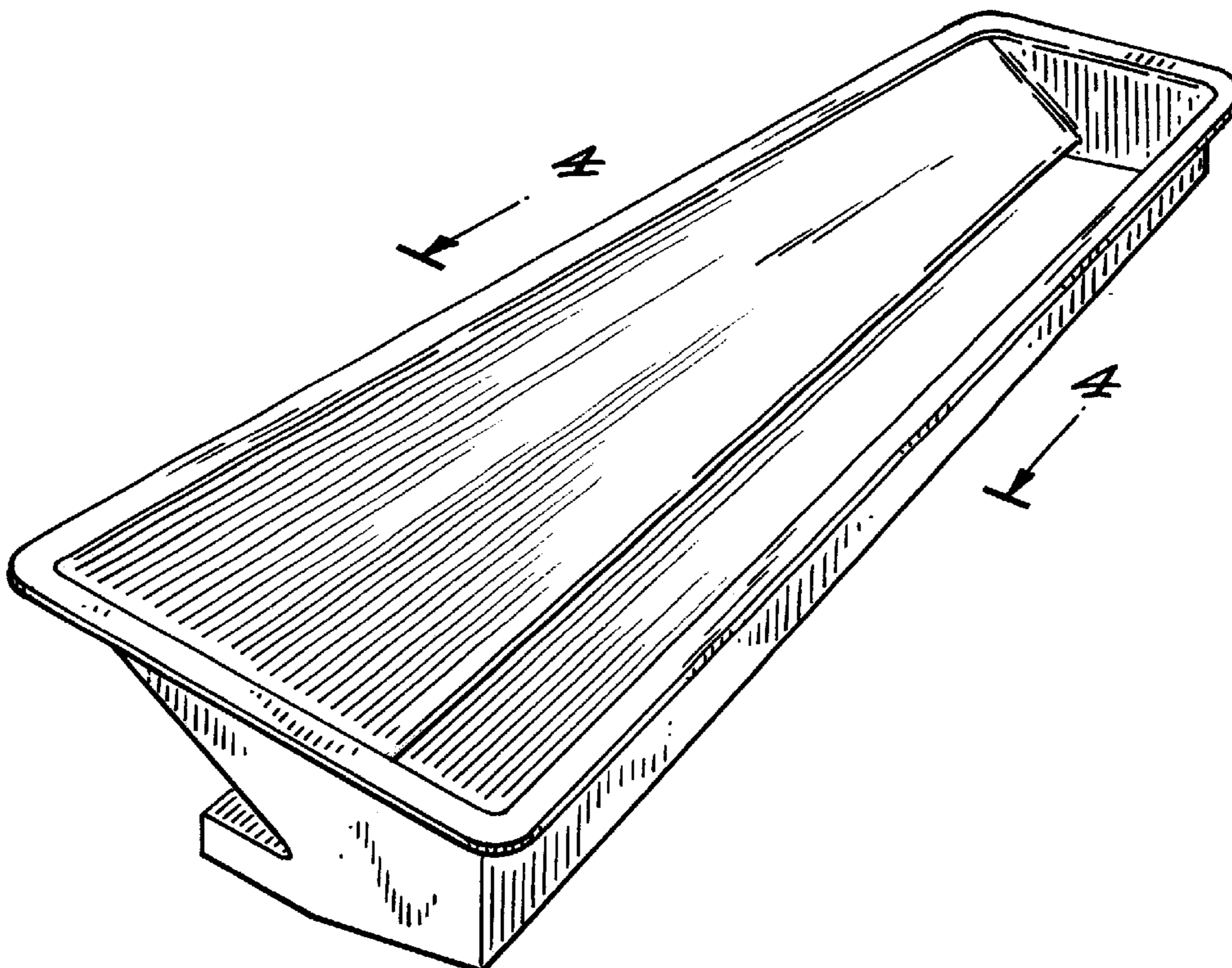
FIG. 3 is a top plan view representational of both embodiments;

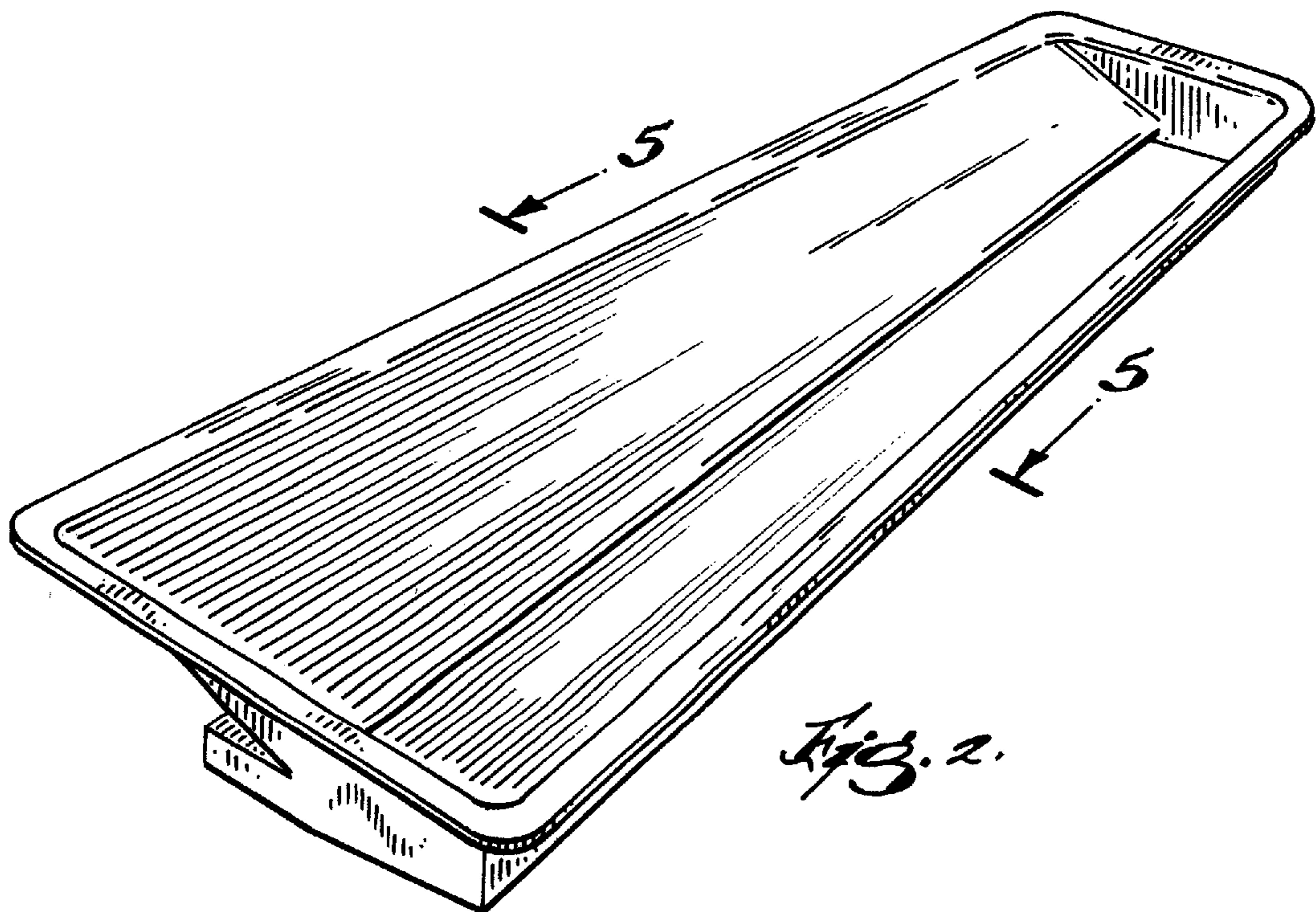
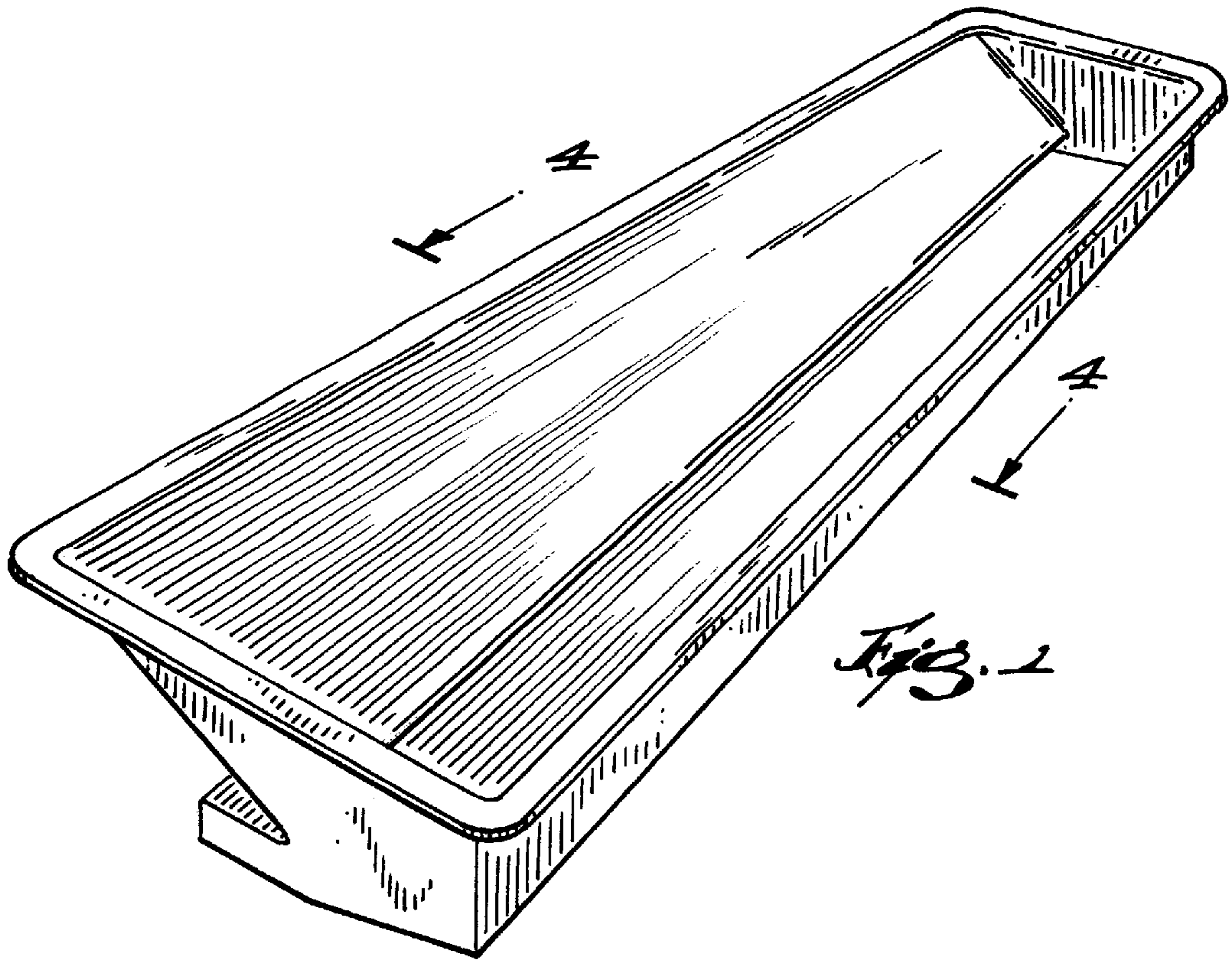
FIG. 4 is a cross sectional view taken along lines 4—4 shown in FIG. 1; and,

FIG. 5 is a cross sectional view taken along lines 5—5 shown in FIG. 2.

The broken line showing of the environment is for illustrative purposes only and forms no part of the claimed design. The broken lines which define the boundaries of the claimed design form no part thereof.

1 Claim, 3 Drawing Sheets





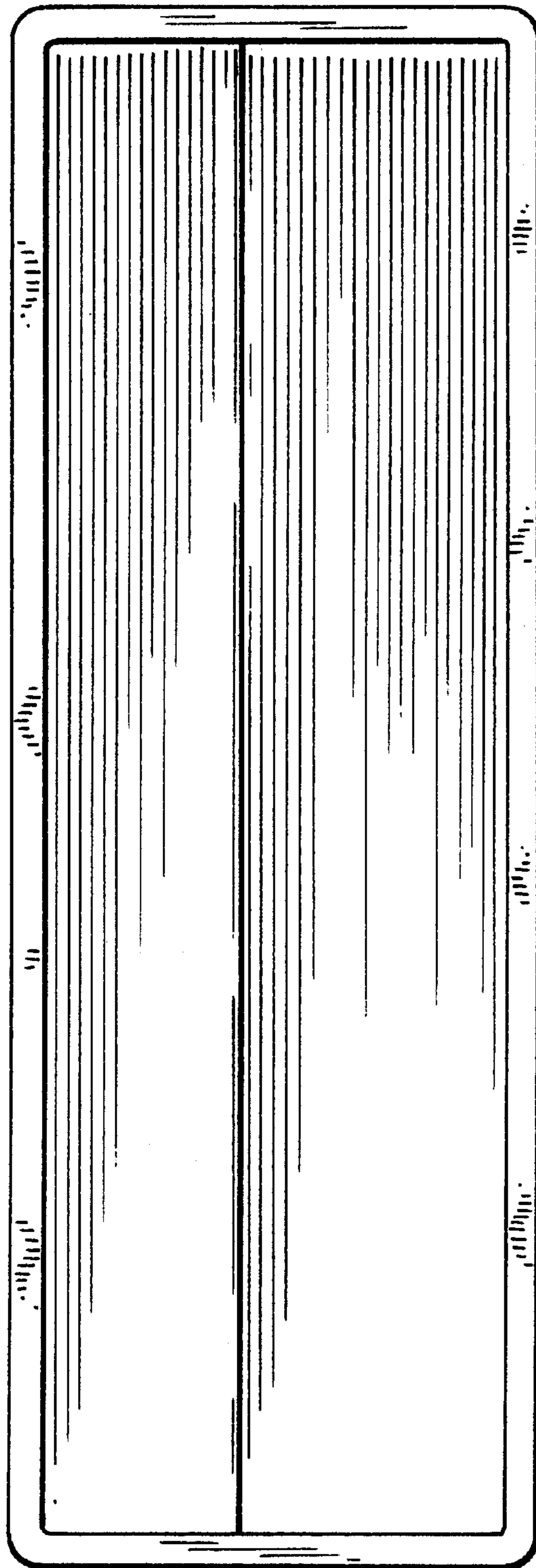


Fig. 3

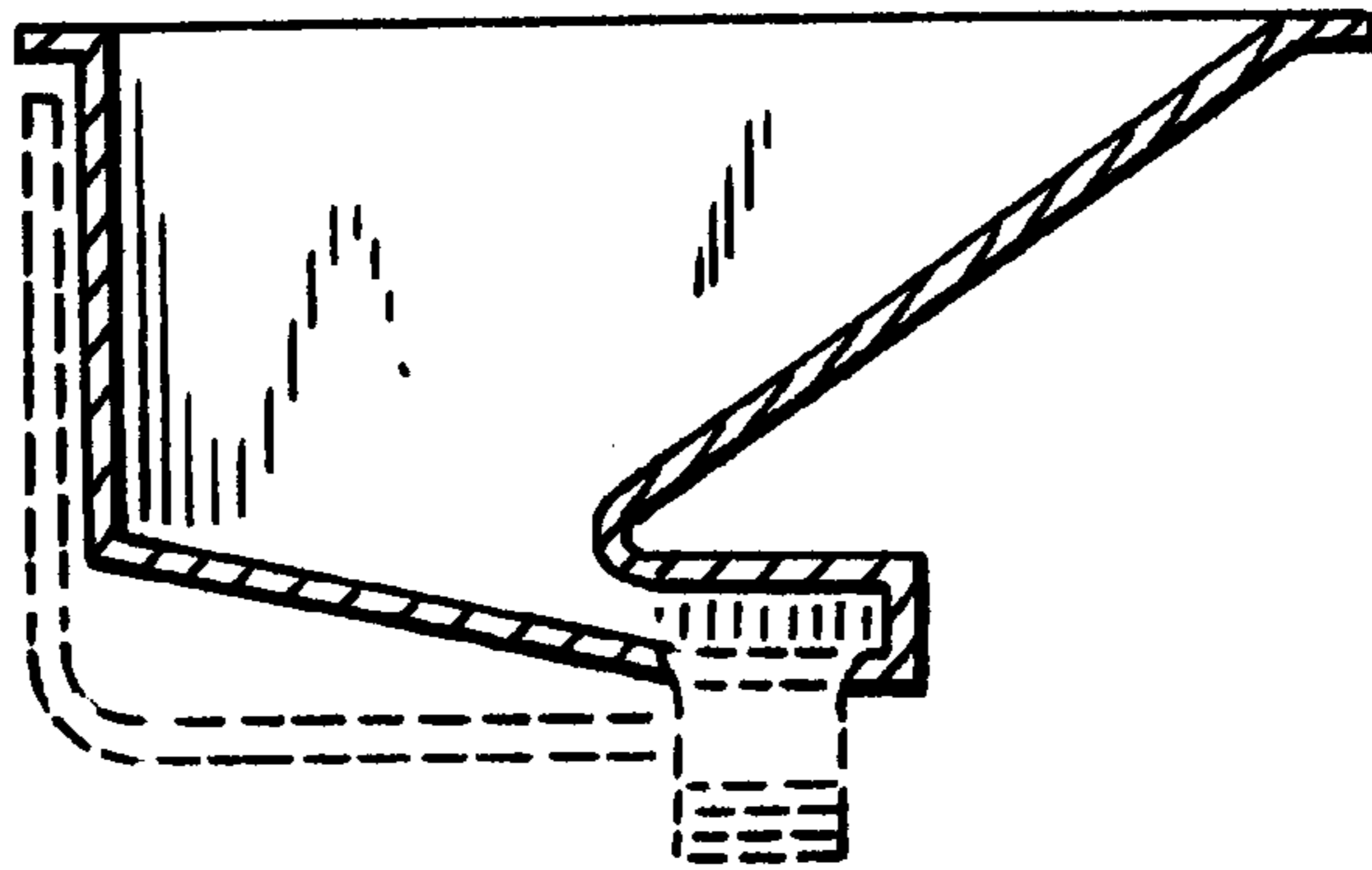


Fig. 4

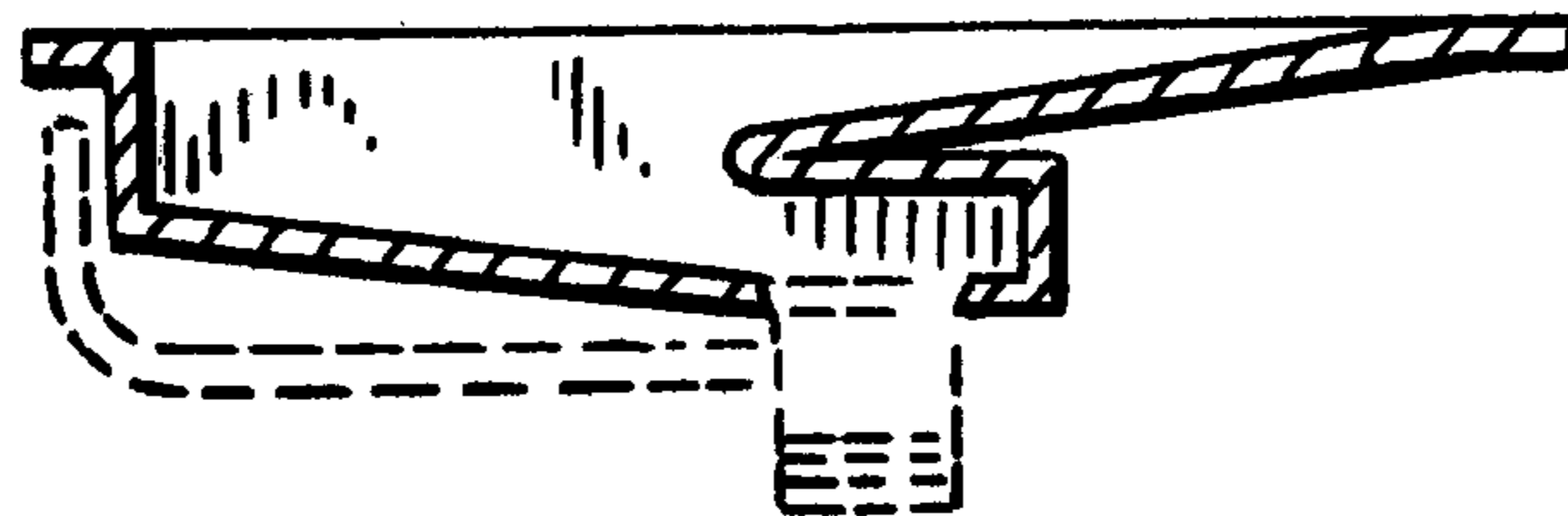


Fig. 5