



US00D468814S

(12) **United States Design Patent**
Thomas et al.

(10) **Patent No.:** **US D468,814 S**
(45) **Date of Patent:** **** Jan. 14, 2003**

(54) **TUB FOR BATHING**

(75) Inventors: **Carter J. Thomas**, Cedarburg, WI (US); **Jason T. Lanius**, Sheboygan, WI (US)

(73) Assignee: **Kohler, Co.**, Kohler, WI (US)

(**) Term: **14 Years**

(21) Appl. No.: **29/142,636**

(22) Filed: **May 30, 2001**

(51) **LOC (7) Cl.** **23-02**

(52) **U.S. Cl.** **D23/280.1**

(58) **Field of Search** D23/273, 275,
D23/277-280.4, 304, 306; 4/538, 584, 593

(56) **References Cited**

U.S. PATENT DOCUMENTS

360,173 A	*	3/1887	Rice	D23/277 X
D101,637 S	*	10/1936	Kohler et al.	D23/277
D143,768 S	*	2/1946	Stowitz	D23/180.1
D148,393 S	*	1/1948	Schladermundt	D23/180.1
D227,468 S	*	6/1973	Seymour	D23/180.1
D266,692 S	*	10/1982	Harrison	D23/280.1
D319,496 S	*	8/1991	Stairs, Jr.	D23/306
D331,622 S	*	12/1992	Dannenberg	D23/277
D350,392 S		9/1994	Kohler, Jr. et al.	D23/277
D397,772 S		9/1998	McKeone	D23/277
D407,468 S		3/1999	McKeone	D23/277
5,940,906 A		8/1999	Halloran	4/584

OTHER PUBLICATIONS

2000 Kohler catalog ad, p. 8.15, showing a "Memoirs" whirlpool bath.

Undated Hylec catalog ad showing an AC750WH4 whirlpool bath.

Undated Artesian catalog ad showing a "Versa-Cove" tub surround.

* cited by examiner

Primary Examiner—Louis S. Zarfes

Assistant Examiner—Robert A. Delehanty

(74) *Attorney, Agent, or Firm*—Quarles & Brady LLP

(57) **CLAIM**

The ornamental design for a tub for bathing, as shown and described.

DESCRIPTION

FIG. 1 is a left, top, front perspective view of a tub for bathing embodying our new design;

FIG. 2 is a top plan view thereof;

FIG. 3 is a front elevational view thereof, the rear elevational view being a mirror image of the front elevational view shown;

FIG. 4 is a right side elevational view thereof; and,

FIG. 5 is a left side elevational view thereof.

The broken line representation of a hole in FIGS. 1 and 4 is for the purpose of illustration only, and forms no part of the claimed design.

1 Claim, 2 Drawing Sheets

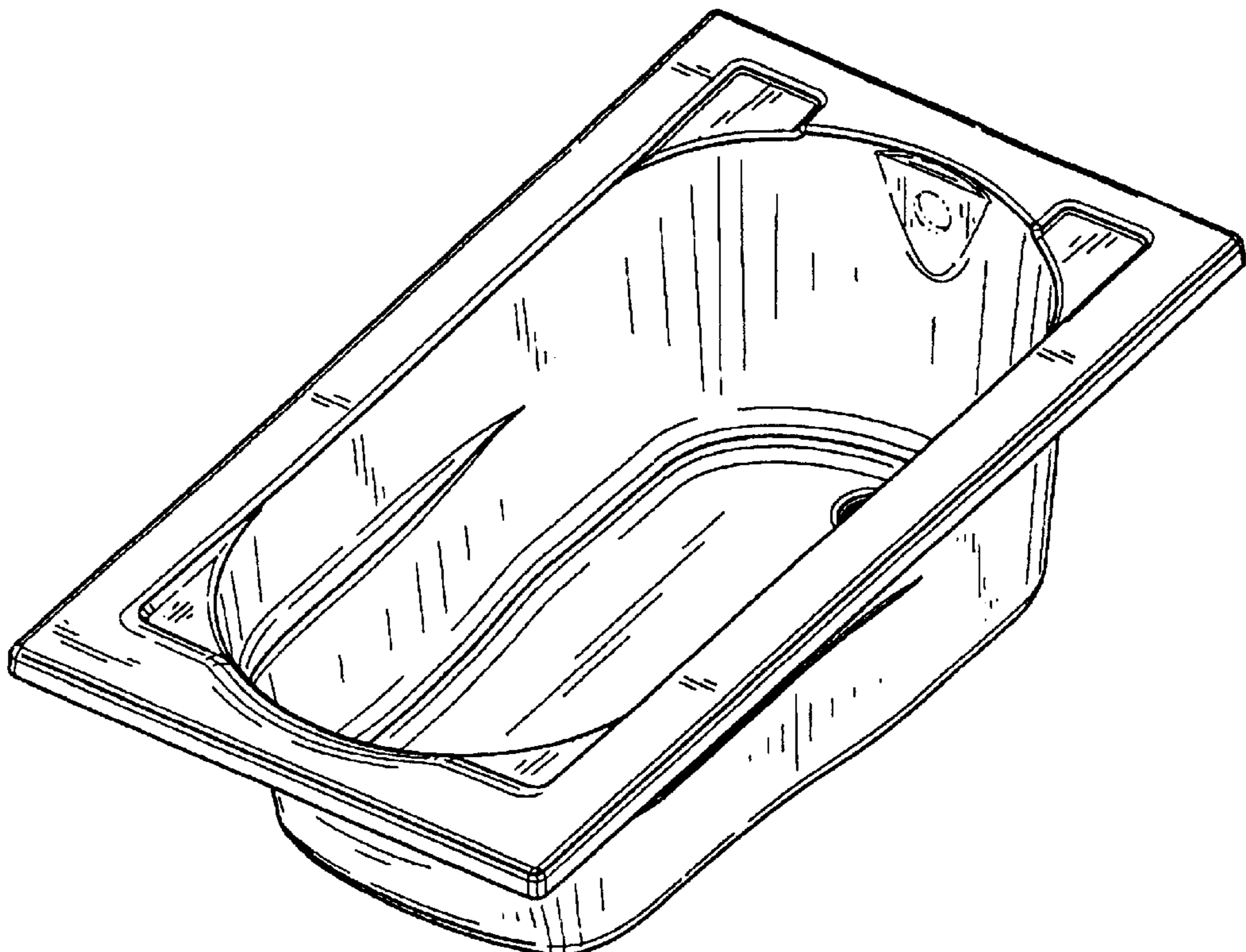


FIG. 1

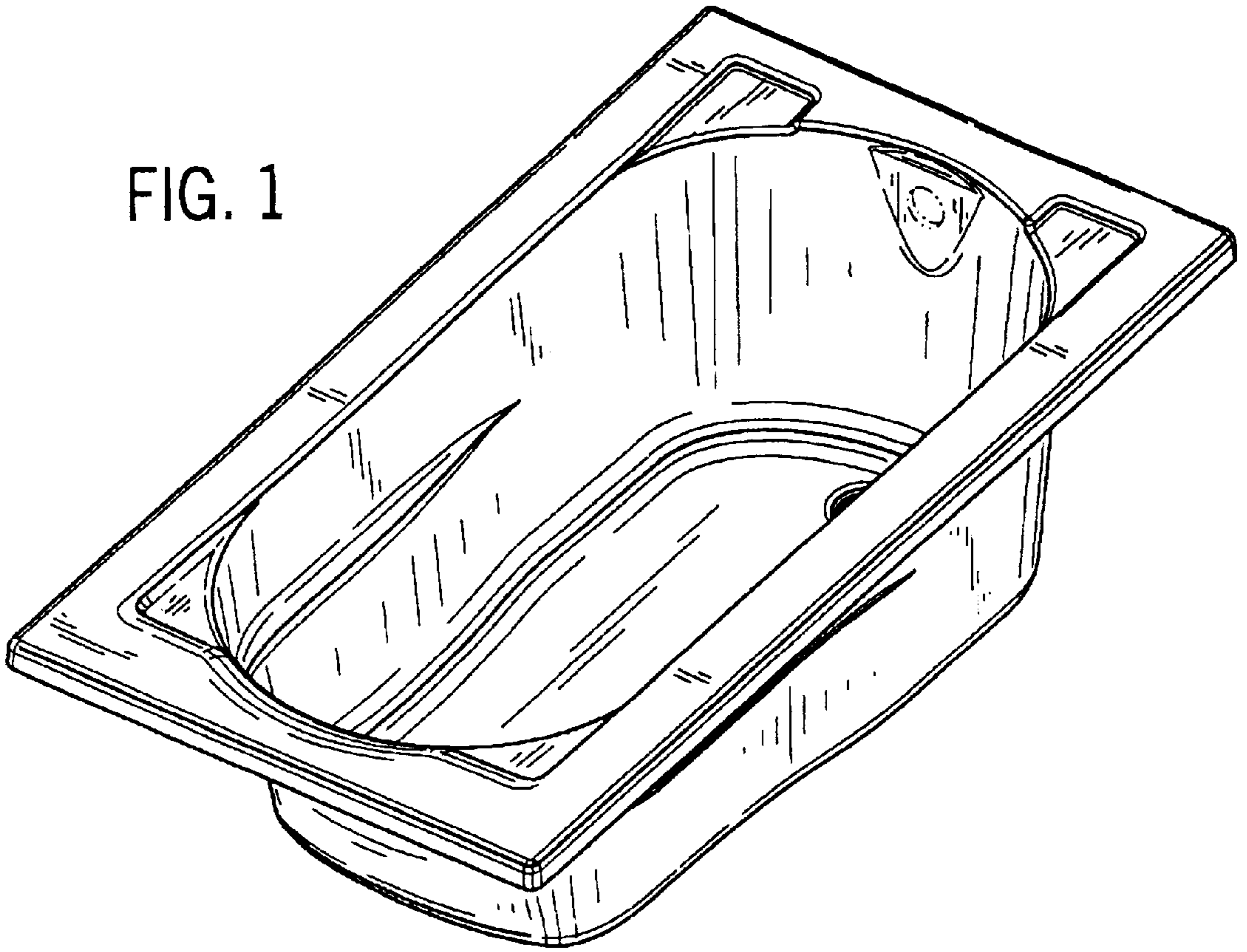


FIG. 2

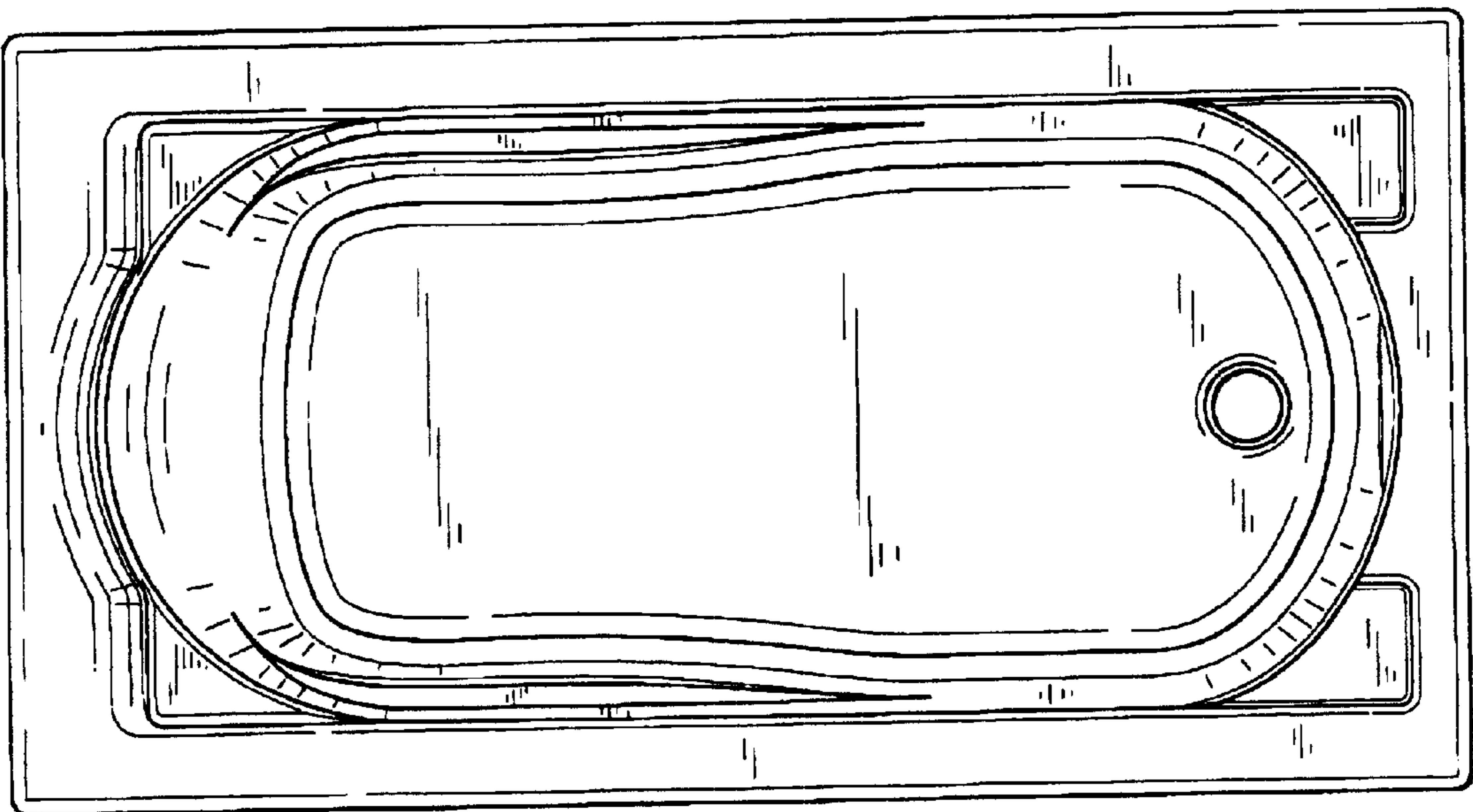


FIG. 3

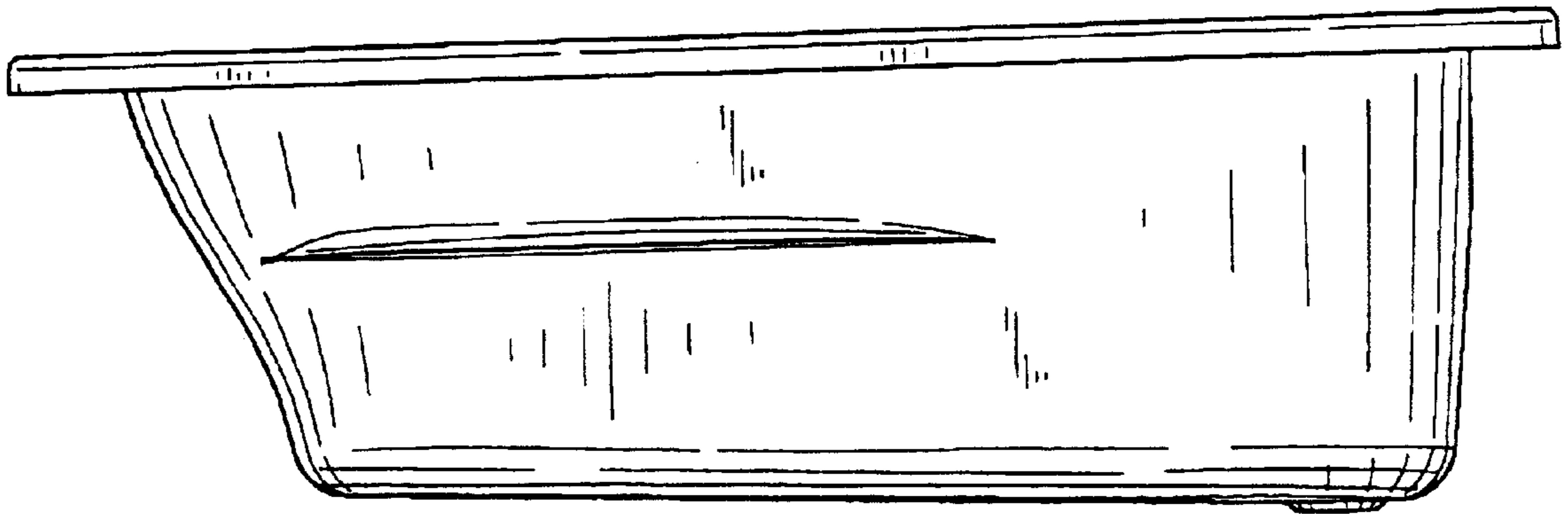


FIG. 4

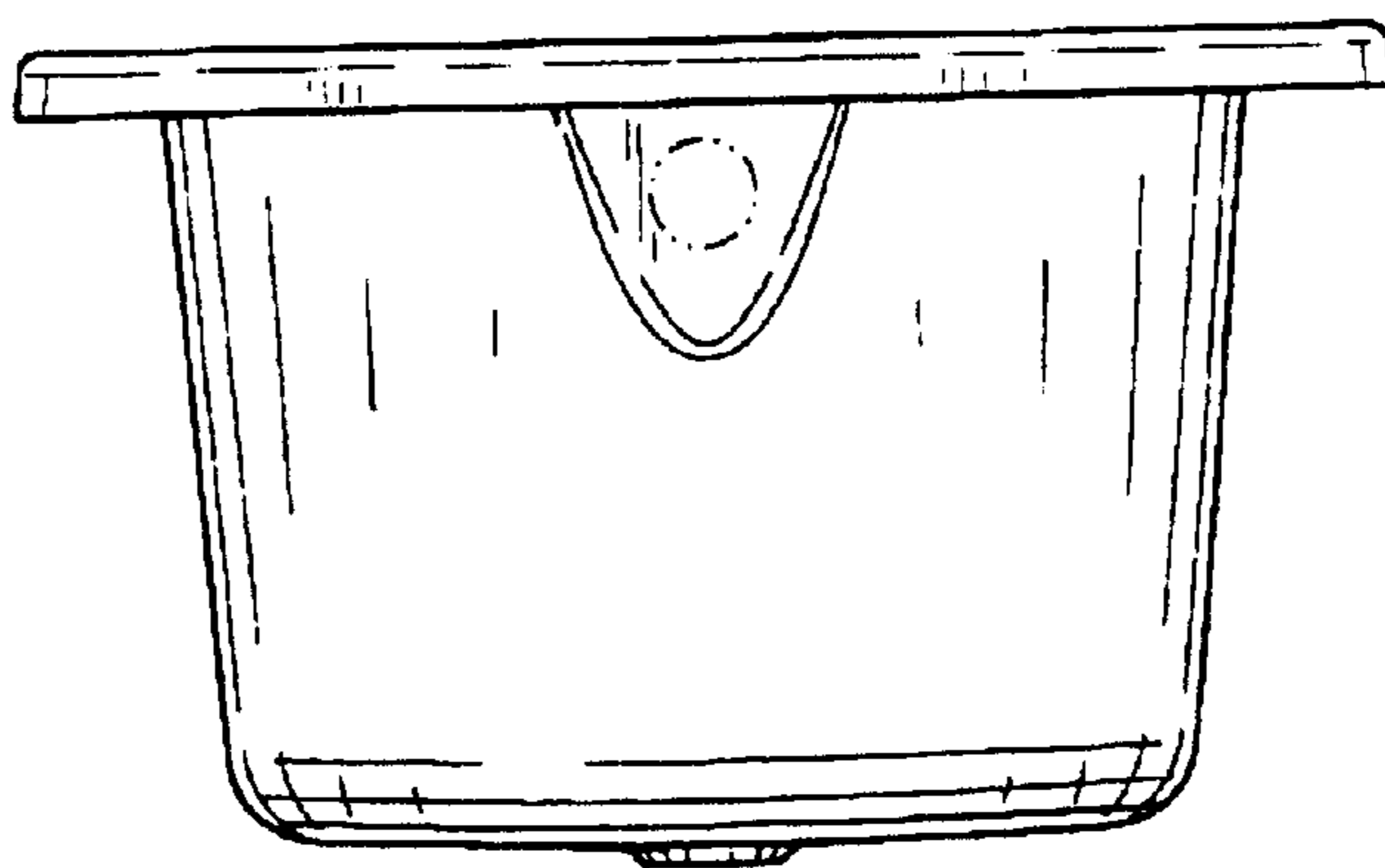


FIG. 5

