



US00D468812S

(12) **United States Design Patent**
Doyle et al.

(10) **Patent No.:** **US D468,812 S**
(45) **Date of Patent:** **** Jan. 14, 2003**

(54) **INTEGRAL GUTTER AND FASCIA BOARD**

(75) Inventors: **Brian William Doyle**, Scarborough (ZA); **Dominic Francis Gordon**, Constantia (ZA)

(73) Assignee: **Rapidfit Products (Pty) Ltd.**, Scarborough (ZA)

(**) Term: **14 Years**

(21) Appl. No.: **29/156,594**

(22) Filed: **Feb. 28, 2002**

(51) **LOC (7) Cl.** **23-01**

(52) **U.S. Cl.** **D23/267**

(58) **Field of Search** D23/267; 52/11, 52/12, 13; 248/48.1; D25/119

(56) **References Cited**

U.S. PATENT DOCUMENTS

4,616,450	A	*	10/1986	Shouse	52/12
4,727,689	A	*	3/1988	Bosler	52/12
5,491,998	A	*	2/1996	Hansen	52/12
5,911,659	A	*	6/1999	Serano	52/12
D454,180	S	*	3/2002	Wessels	D23/267

* cited by examiner

Primary Examiner—Robin V. Taylor

(74) *Attorney, Agent, or Firm*—Fish & Neave; Robert R. Jackson; Evelyn C. Mak

(57) **CLAIM**

The ornamental design for an integral gutter and fascia board, as shown and described.

DESCRIPTION

FIG. 1 is a top, left-hand end, front isometric-type view of an integral gutter and fascia board with a central portion of indeterminate length removed, showing a first embodiment of our new design (the appearance of the removed central portion is identical in all respects to the appearance of the portions of the length that are shown);

FIG. 2 is a left-hand end elevation view thereof, the right-hand end elevation being a mirror image;

FIG. 3 is a front elevation view thereof;

FIG. 4 is a rear elevation view thereof;

FIG. 5 is a top plan view thereof;

FIG. 6 is a bottom view thereof;

FIG. 7 is a top, left-hand end, front isometric-type view of an integral gutter and fascia board with a central portion of indeterminate length removed, showing a second embodiment of our new design (the appearance of the removed central portion is identical in all respects to the appearance of the portions of the length that are shown);

FIG. 8 is a left-hand end elevation view thereof, the right-hand end elevation being a mirror image;

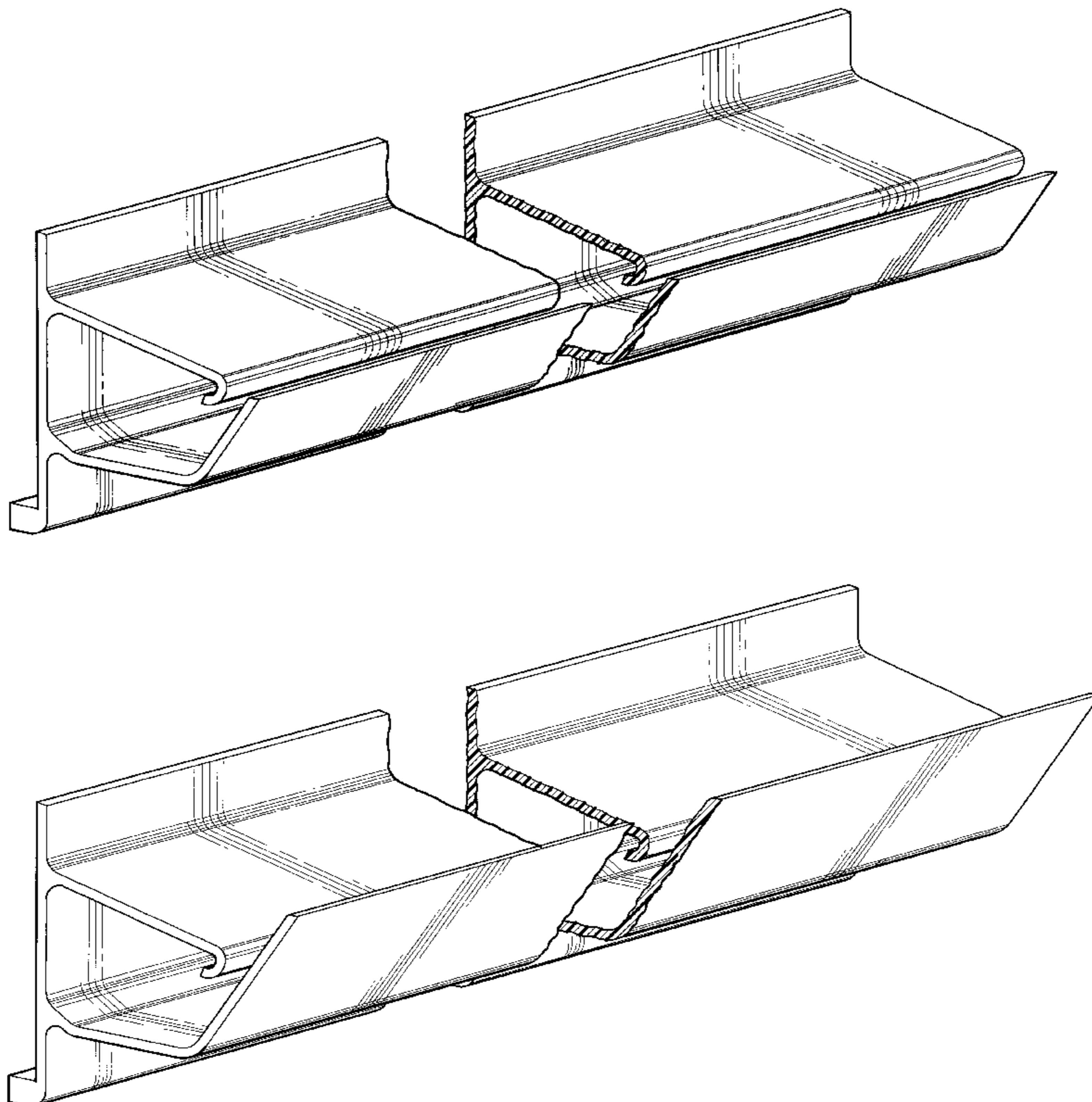
FIG. 9 is a front elevation view thereof;

FIG. 10 is a rear elevation view thereof;

FIG. 11 is a top plan view thereof; and,

FIG. 12 is a bottom view thereof.

1 Claim, 12 Drawing Sheets



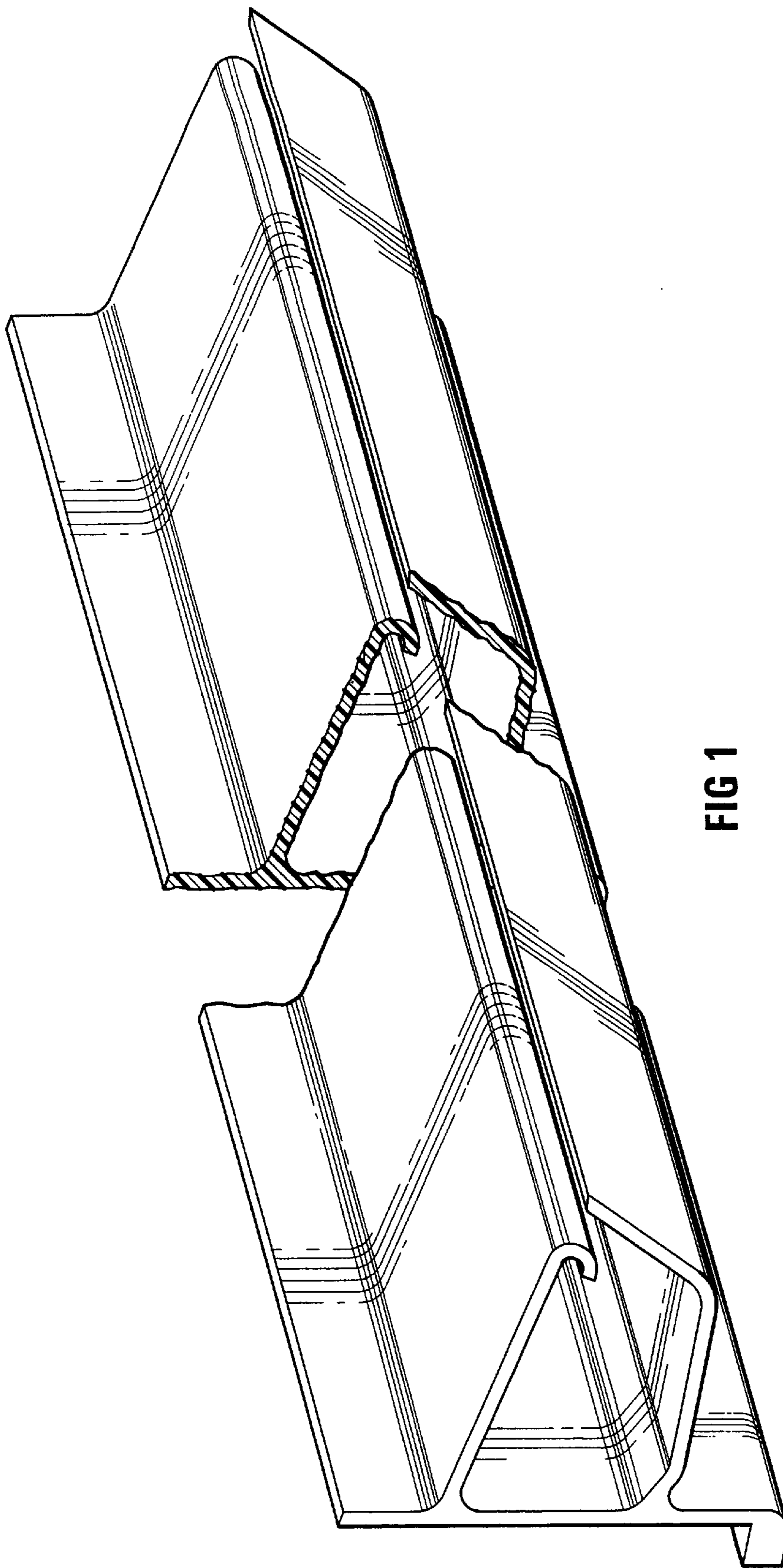


FIG 1

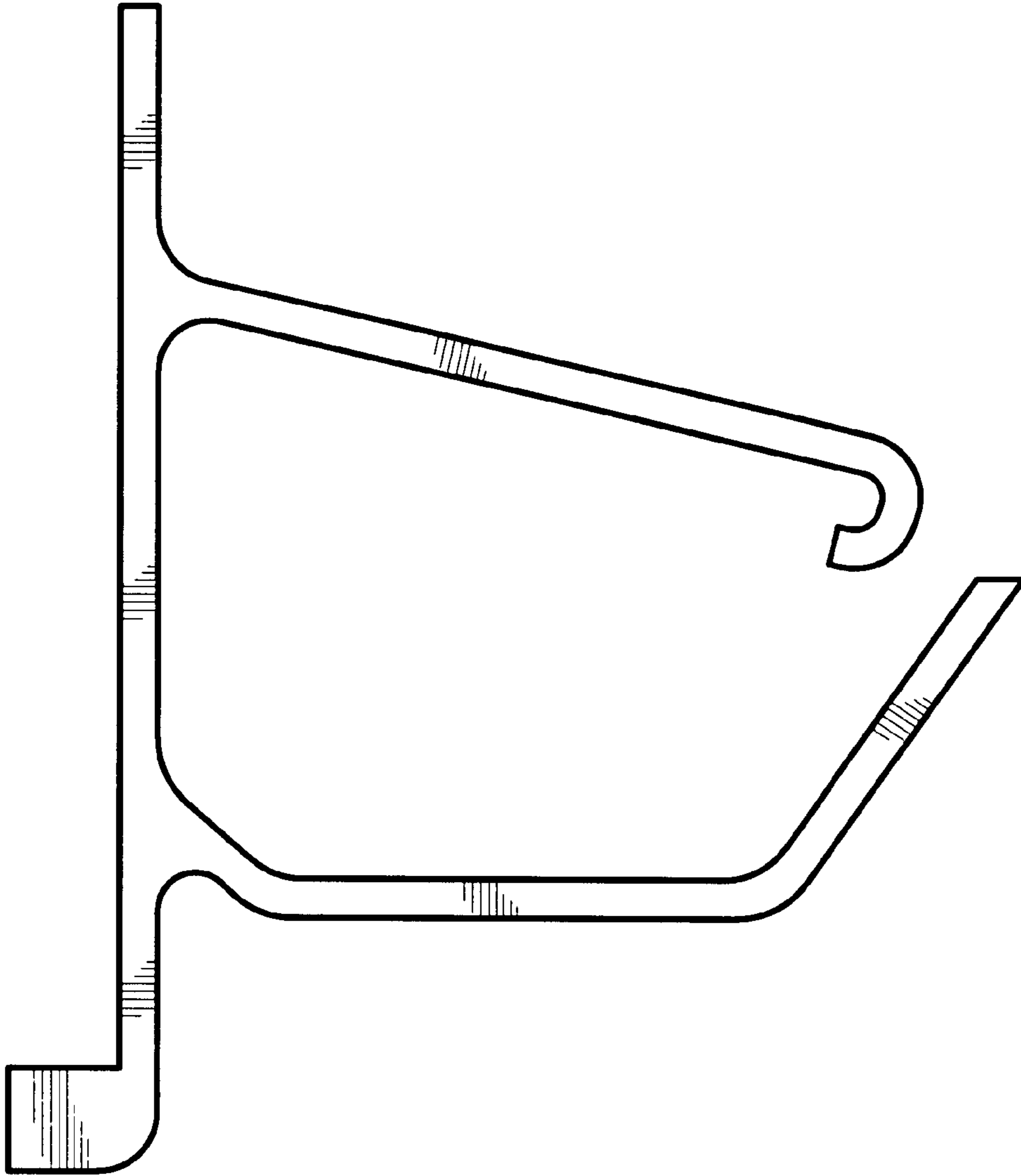


FIG 2

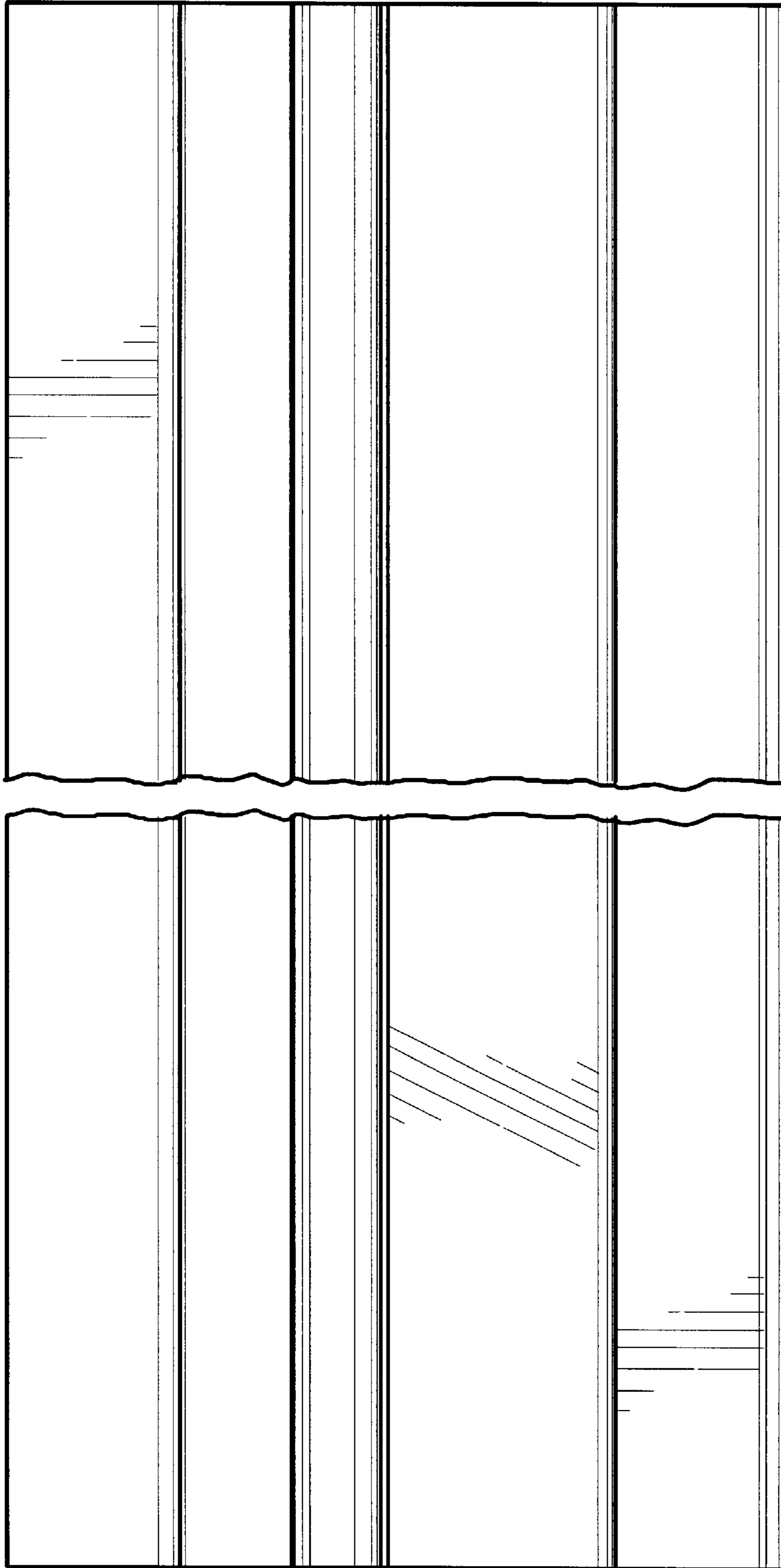


FIG 3

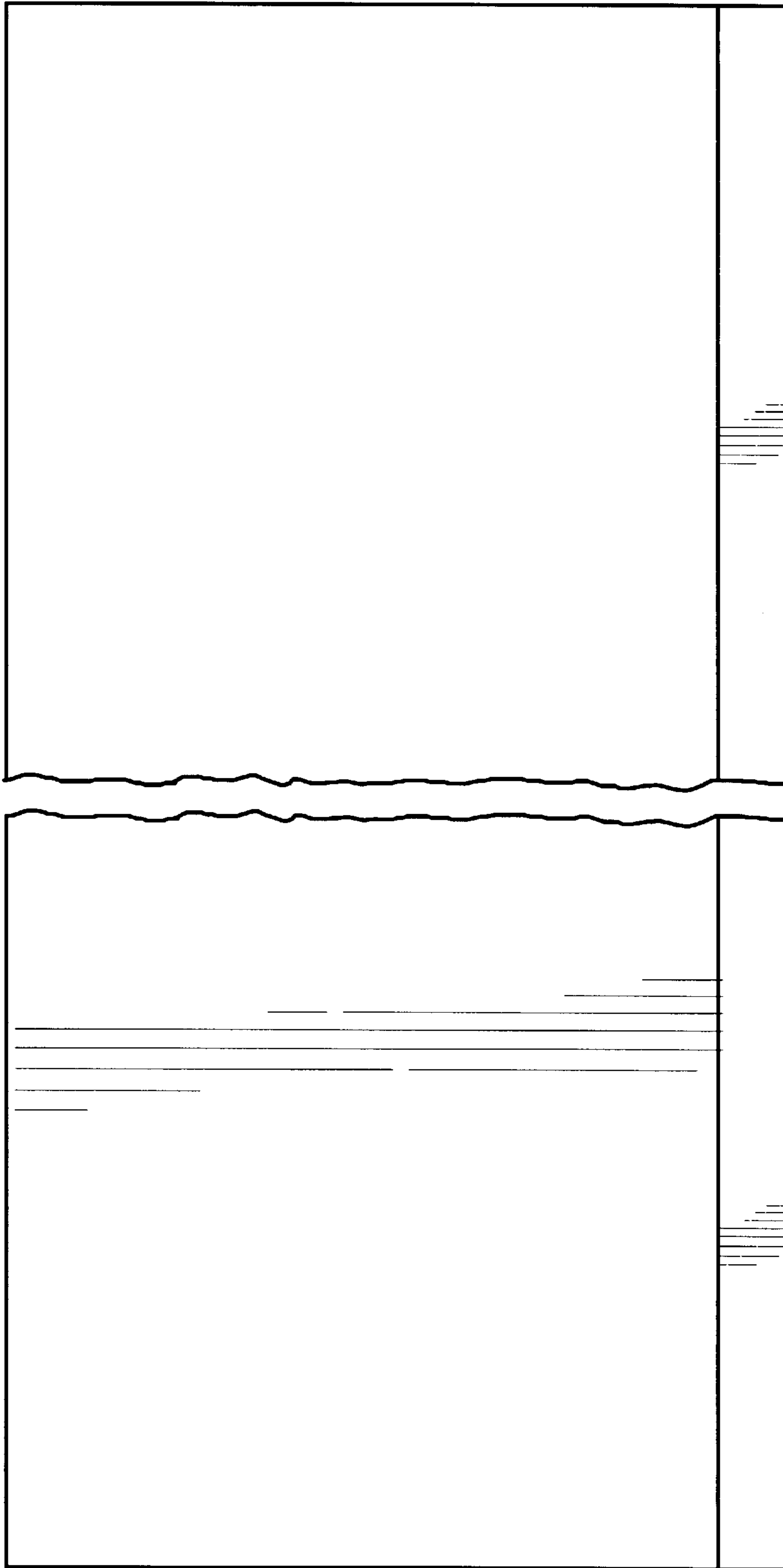


FIG 4

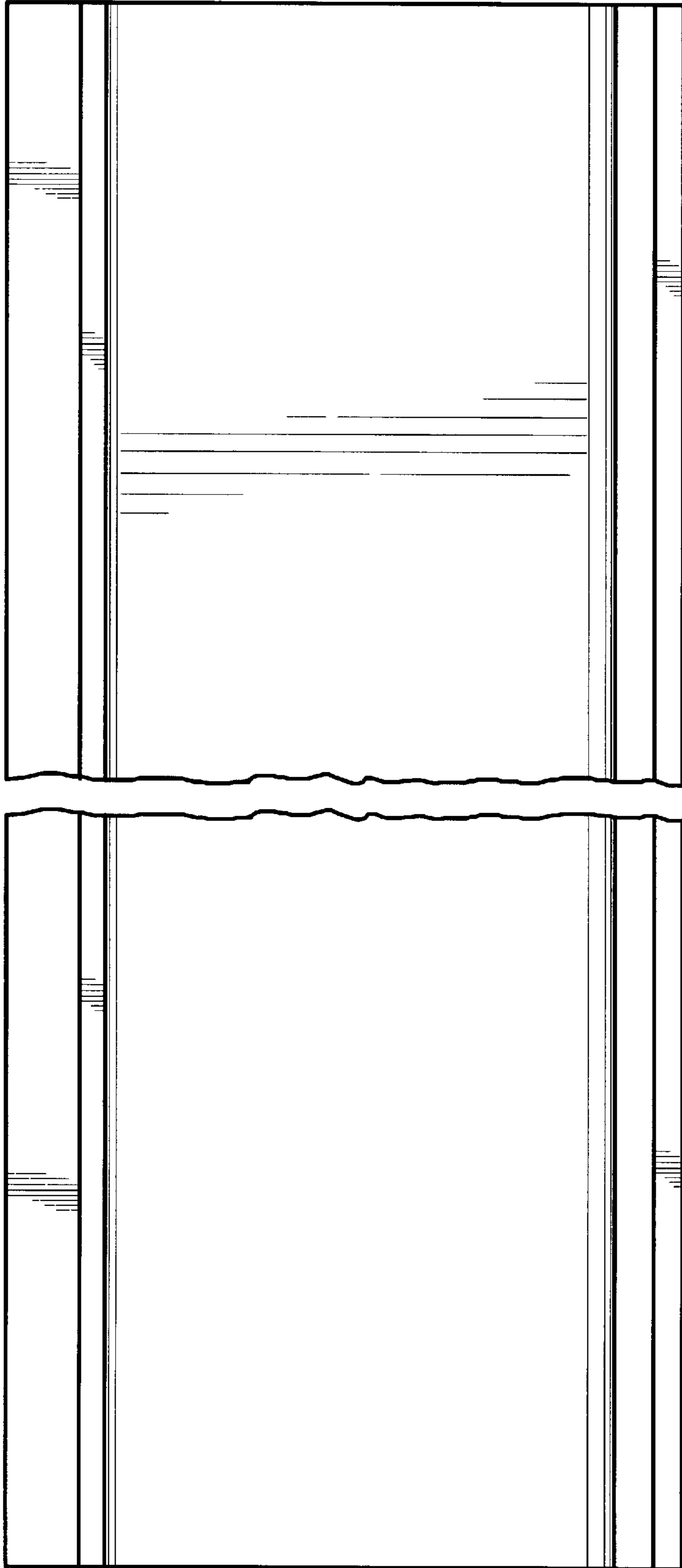


FIG 5

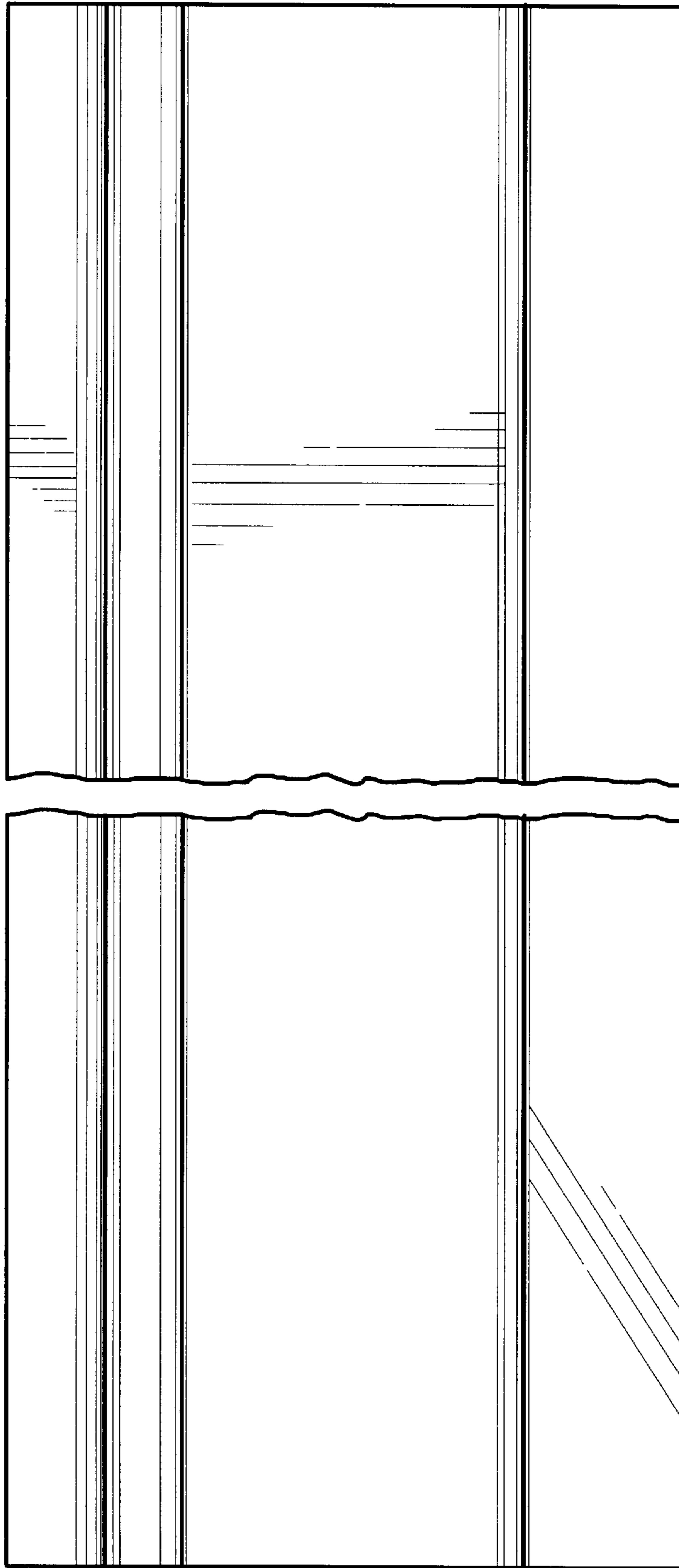


FIG 6

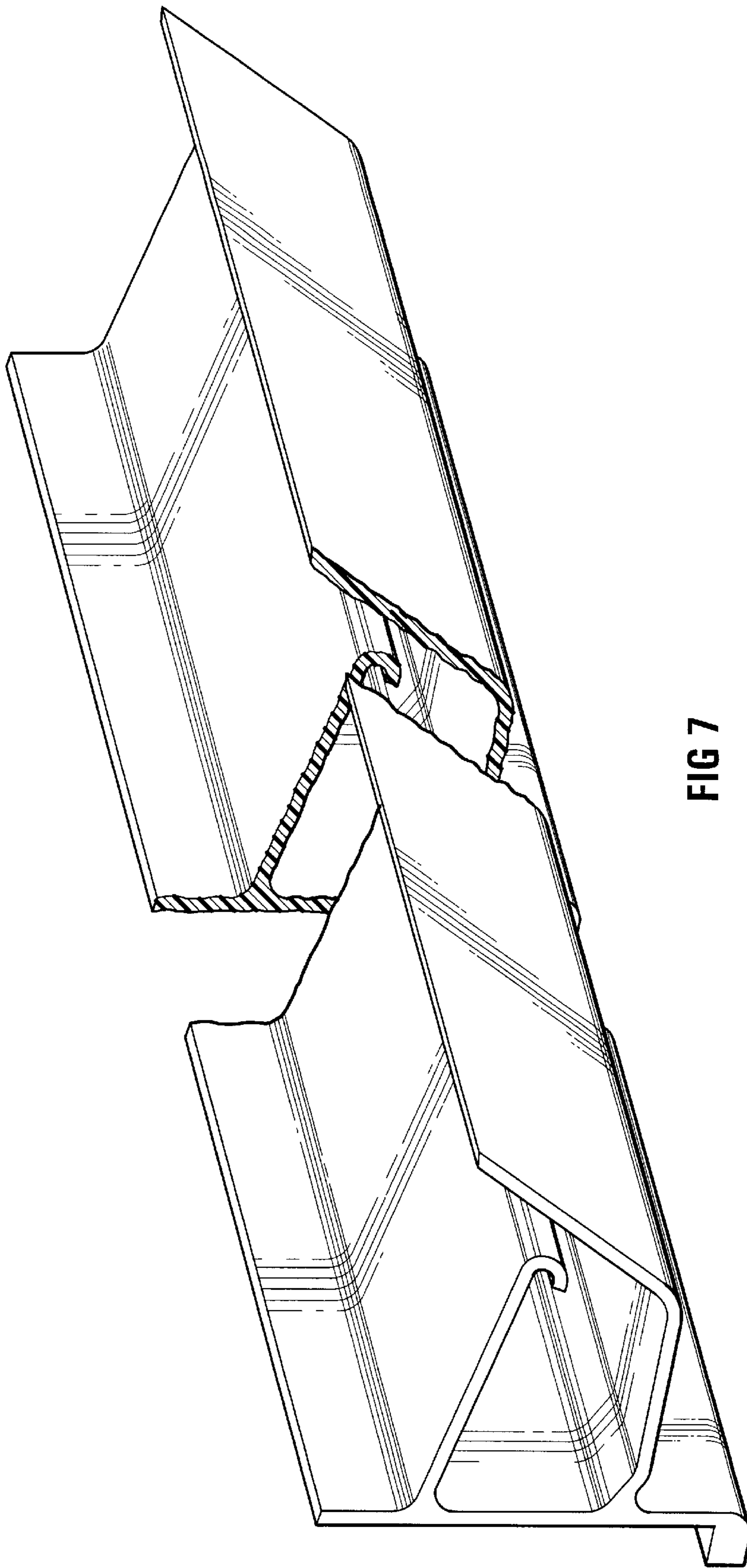


FIG 7

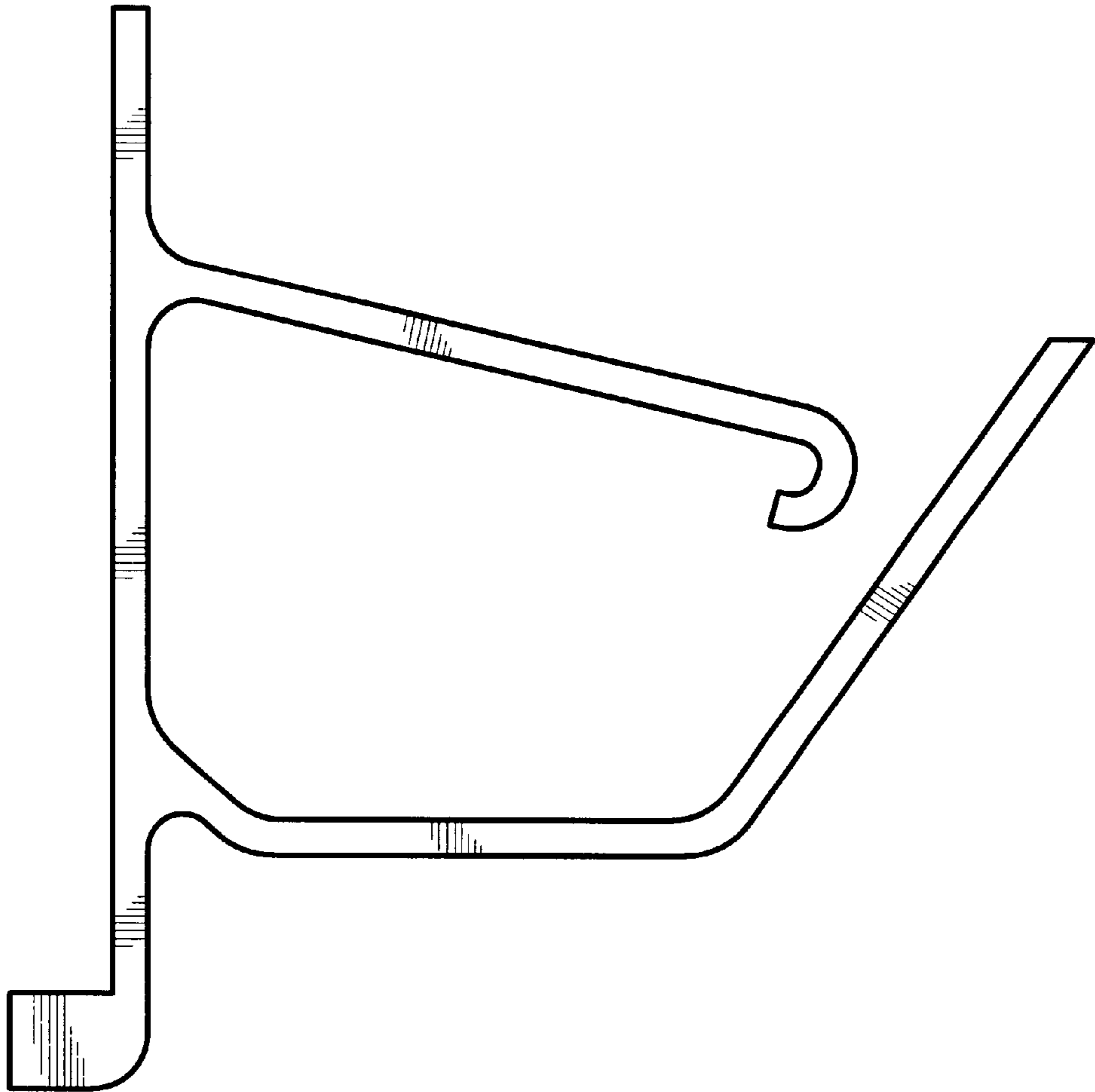


FIG 8

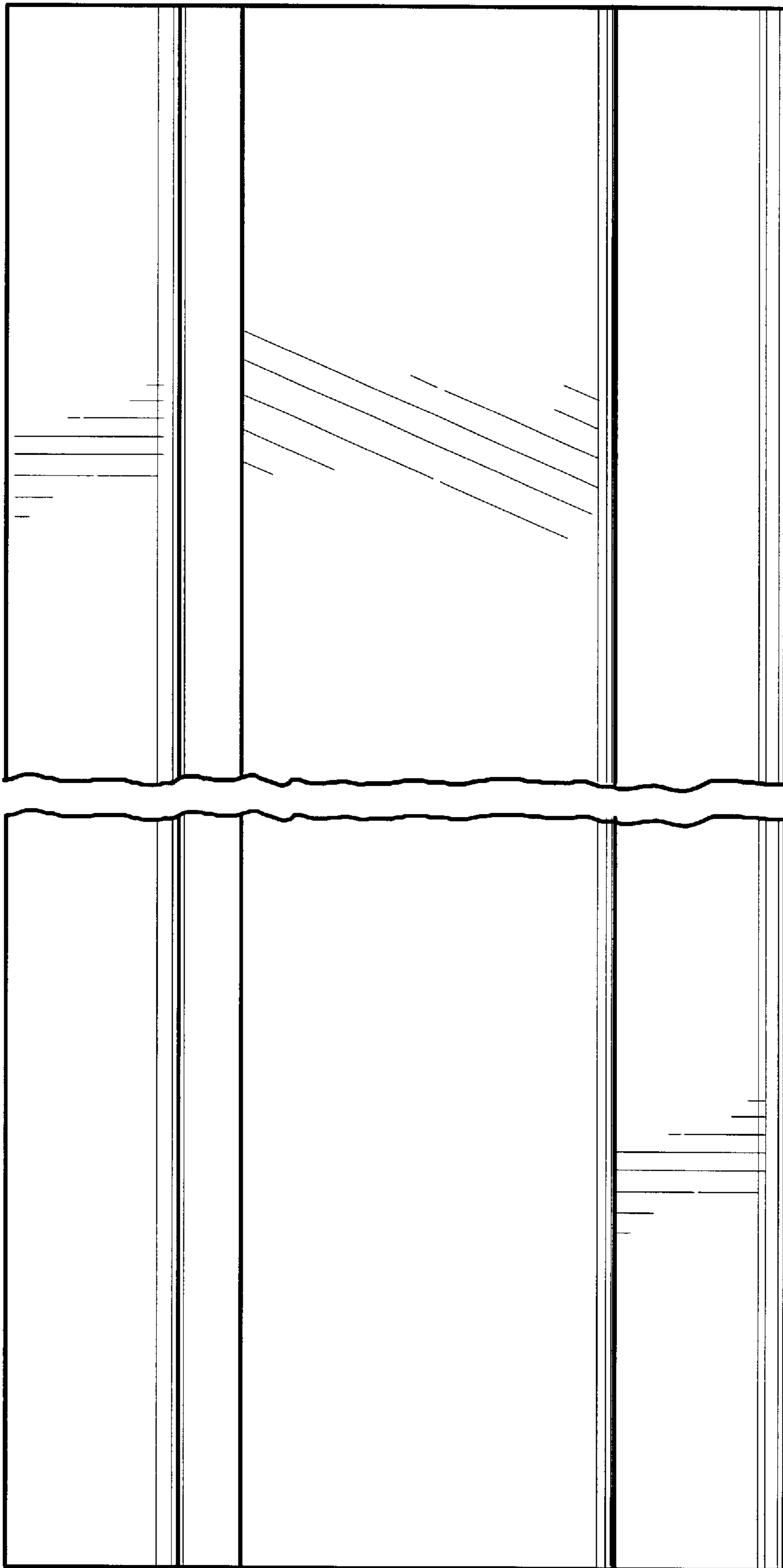


FIG 9

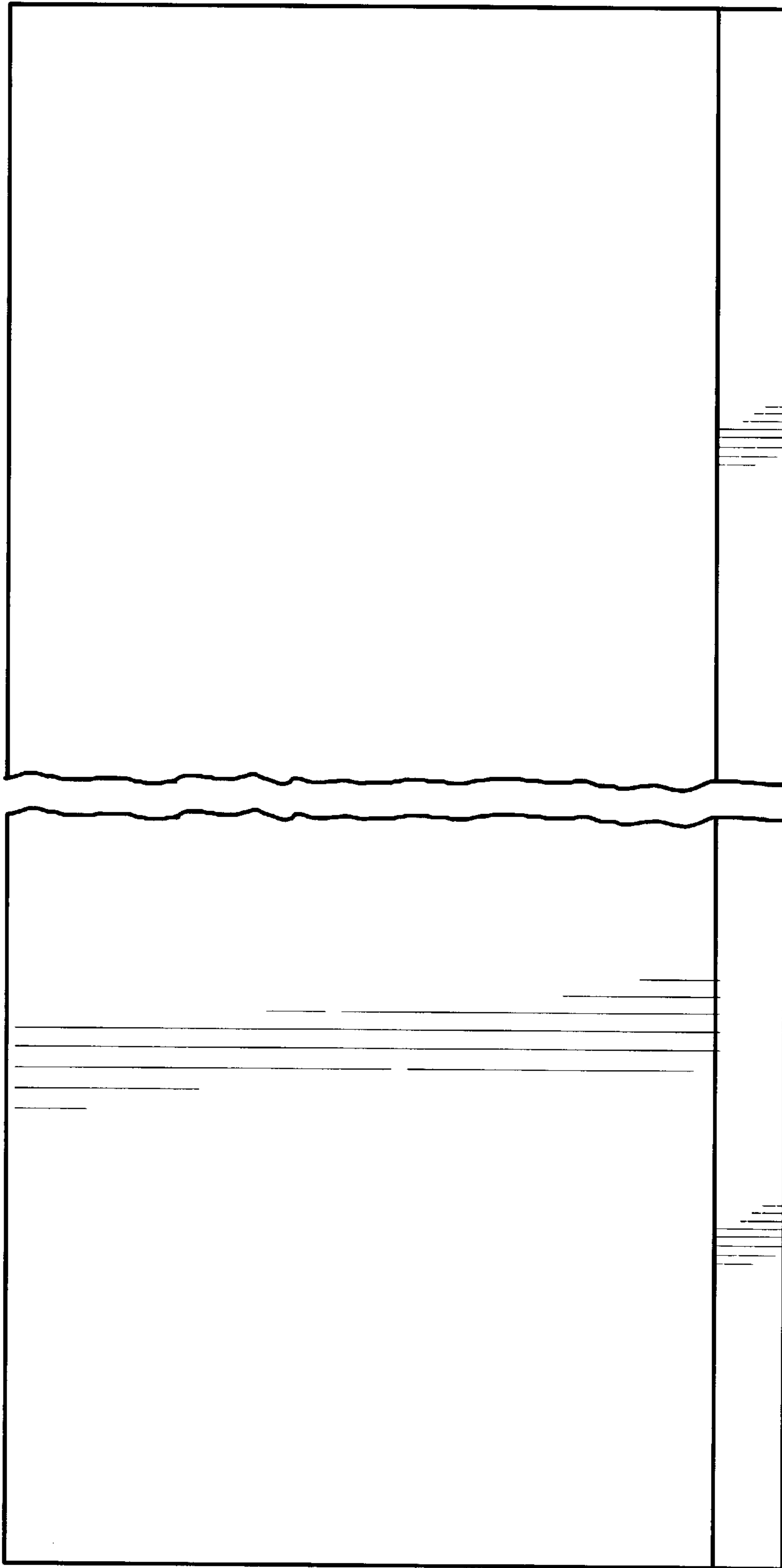


FIG 10

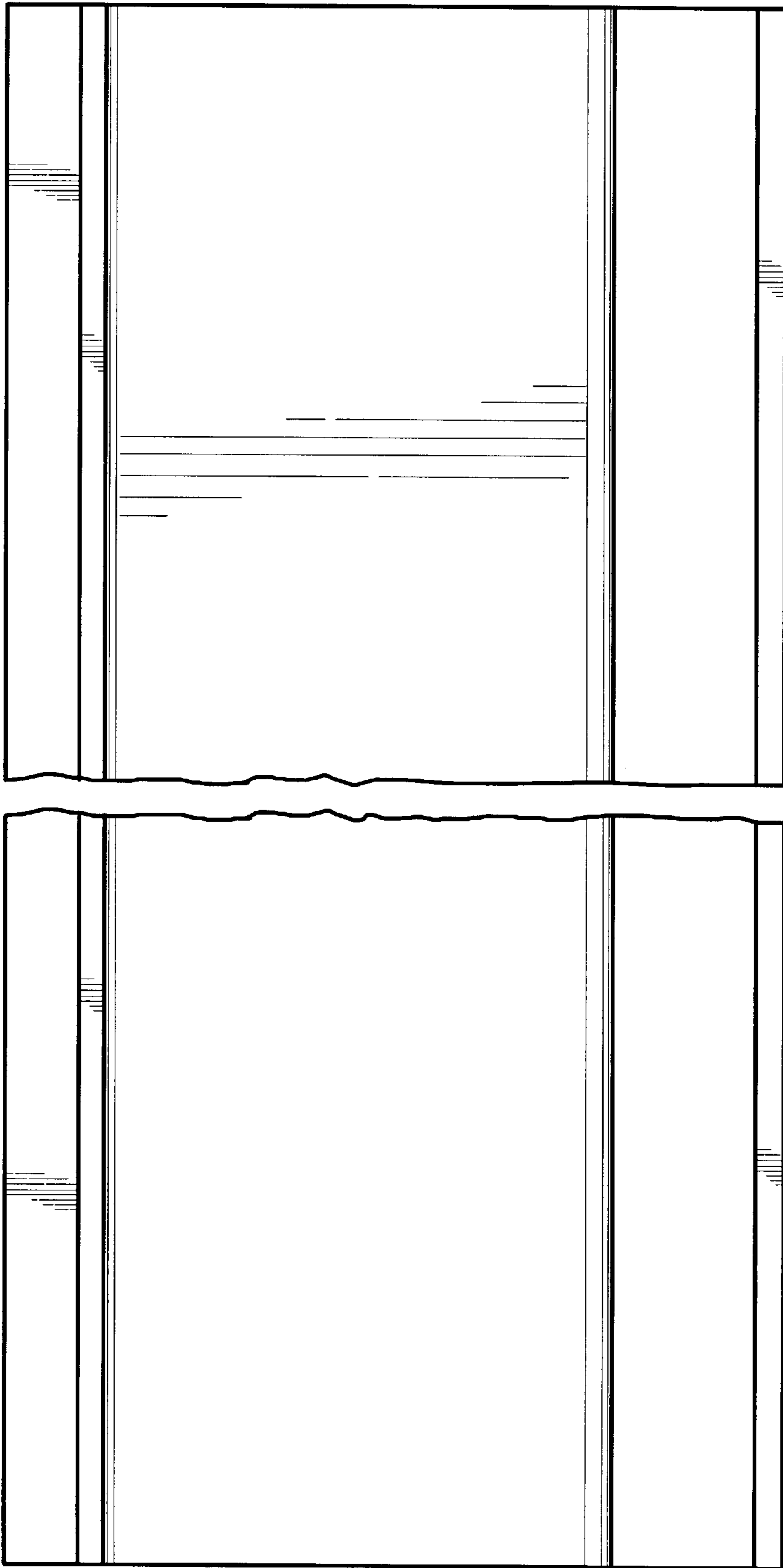


FIG 11

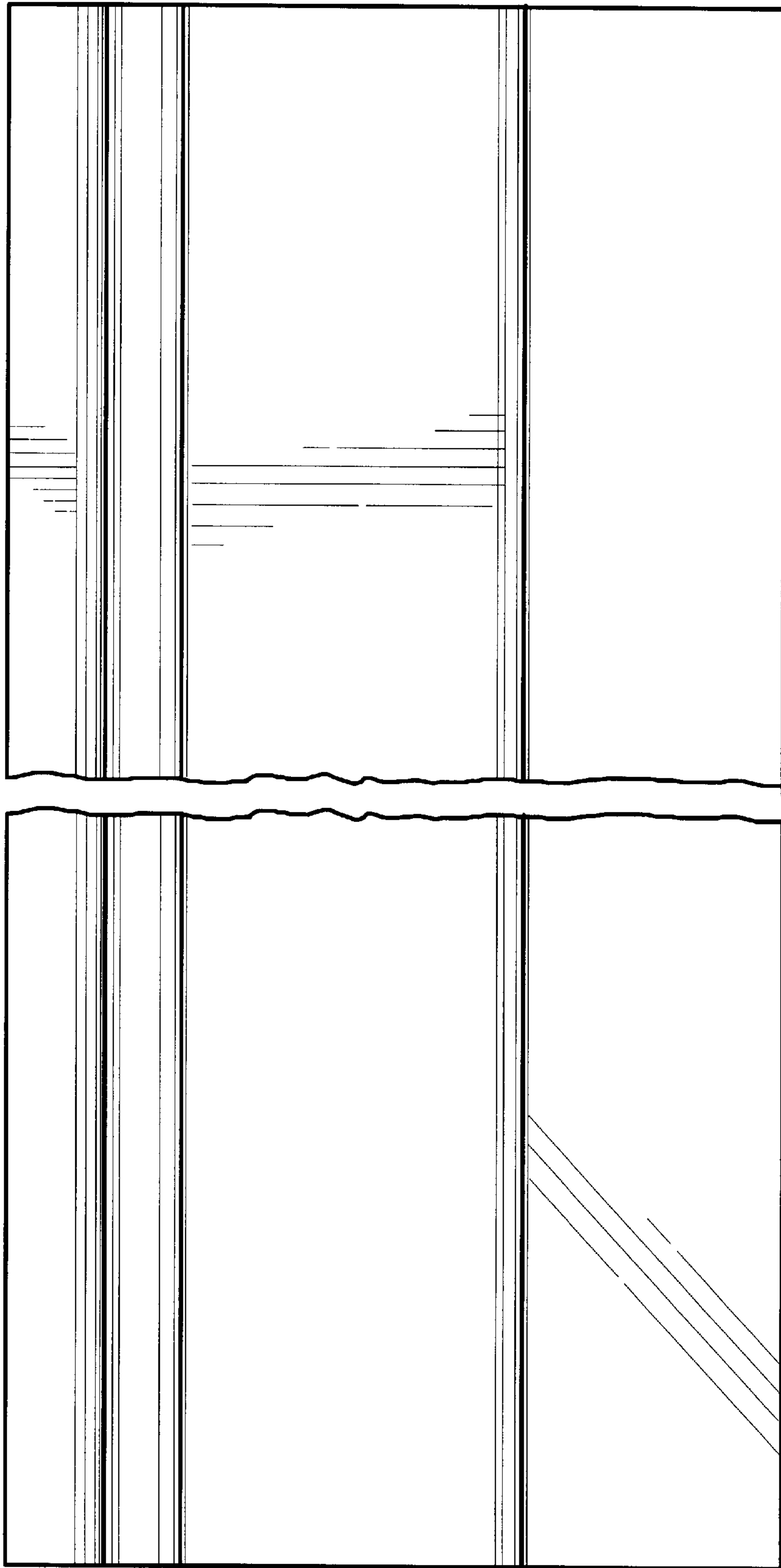


FIG 12