



US00D468809S

(12) **United States Design Patent**
Blomstrom

(10) **Patent No.:** **US D468,809 S**

(45) **Date of Patent:** **** Jan. 14, 2003**

(54) **SPOUT**

(75) Inventor: **John K. Blomstrom**, Sheboygan, WI (US)

(73) Assignee: **Kohler, Co.**, Kohler, WI (US)

(**) Term: **14 Years**

(21) Appl. No.: **29/140,947**

(22) Filed: **Apr. 26, 2001**

(51) **LOC (7) Cl.** **23-01**

(52) **U.S. Cl.** **D23/257; D23/255**

(58) **Field of Search** **D23/238-257; 4/675-678; 16/110 R-121; 137/801**

(56) **References Cited**

U.S. PATENT DOCUMENTS

D365,383 S	*	12/1995	Chretien	D23/238
D385,337 S	*	10/1997	Spurgeon et al.	D23/255
D404,471 S	*	1/1999	Esche et al.	D23/255
D416,312 S	*	11/1999	Kolada	D23/255
D447,219 S	*	8/2001	Donath et al.	D23/238

OTHER PUBLICATIONS

- 1997 Kohler catalog ad, p. 4.9, showing "Coralais" faucets.
- Undated Moen catalog ad, p. 9, showing "Boutique" faucets, (best copy available).
- Undated Moen catalog ad, p. 15, showing "Boutique" faucets, (best copy available).
- Undated Moen catalog ad, p. 12, showing various faucets, (best copy available).
- 1997 Kohler catalog ad, p. 2.14, showing "Antique" lavatory faucets.
- 1999 Kallista catalog ad, p. 54, showing a "Hampstead" standard spout (best copy available).

Undated Bathroom Jewelry catalog ad showing various spouts, (best copy available).

* cited by examiner

Primary Examiner—Louis S. Zarfaz

Assistant Examiner—Gregory Andoll

(74) *Attorney, Agent, or Firm*—Quarles & Brady LLP

(57) **CLAIM**

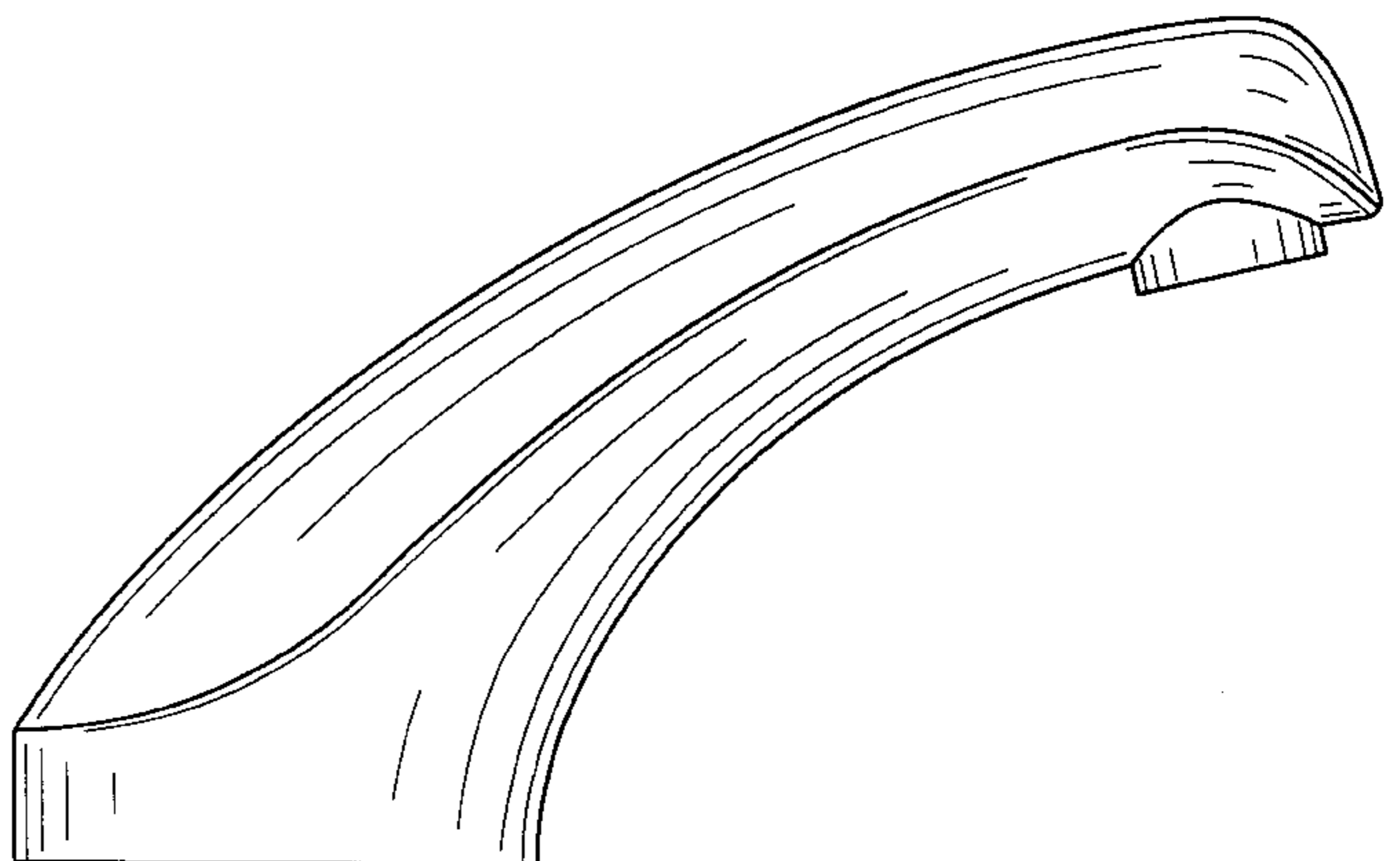
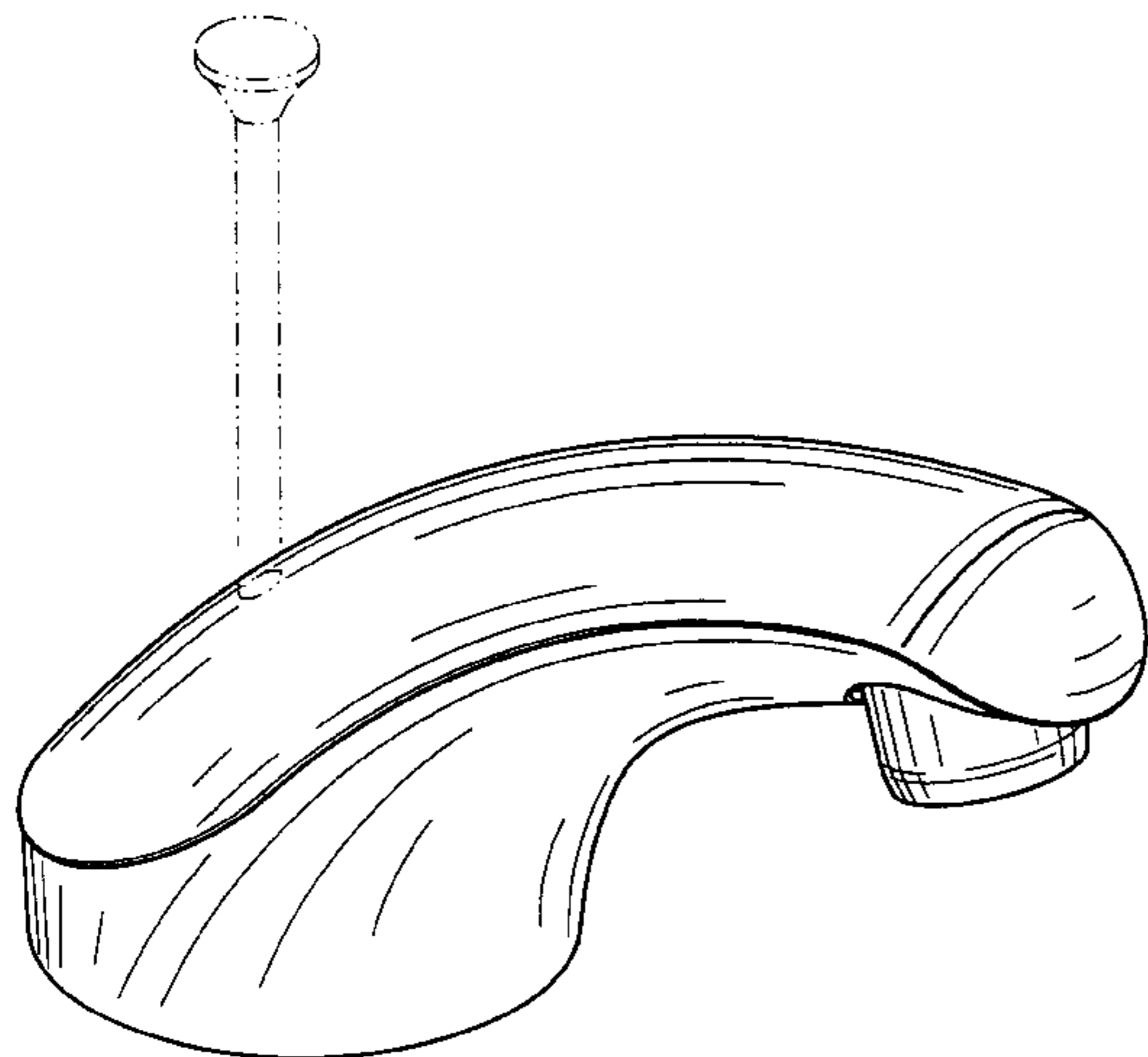
The ornamental design for a spout, as shown and described.

DESCRIPTION

In a preferred embodiment, the nature of this product is as a spout for a plumbing fixture in the form of a faucet which is primarily useful for washing the body parts of humans. FIG. 1 is a left, top, front perspective view of a spout embodying my new design; FIG. 2 is a left side elevational view thereof, the right side elevational view being a mirror image of the left side shown; FIG. 3 is a front elevational view thereof; FIG. 4 is a rear elevational view thereof; FIG. 5 is a top plan view thereof; FIG. 6 is a bottom plan view thereof; FIG. 7 is a left, top, front perspective view of a second embodiment; FIG. 8 is a left side elevational view, the right side elevational view being a mirror image of the left side shown; FIG. 9 is a front elevational view thereof; FIG. 10 is a rear elevational view thereof; FIG. 11 is a top plan view thereof; and, FIG. 12 is a bottom plan view thereof.

The broken line representations of a pull knob in FIGS. 1-5, and of mounting structure in FIGS. 6 and 8, are for the purpose of illustration only, and form no part of the claimed design.

1 Claim, 4 Drawing Sheets



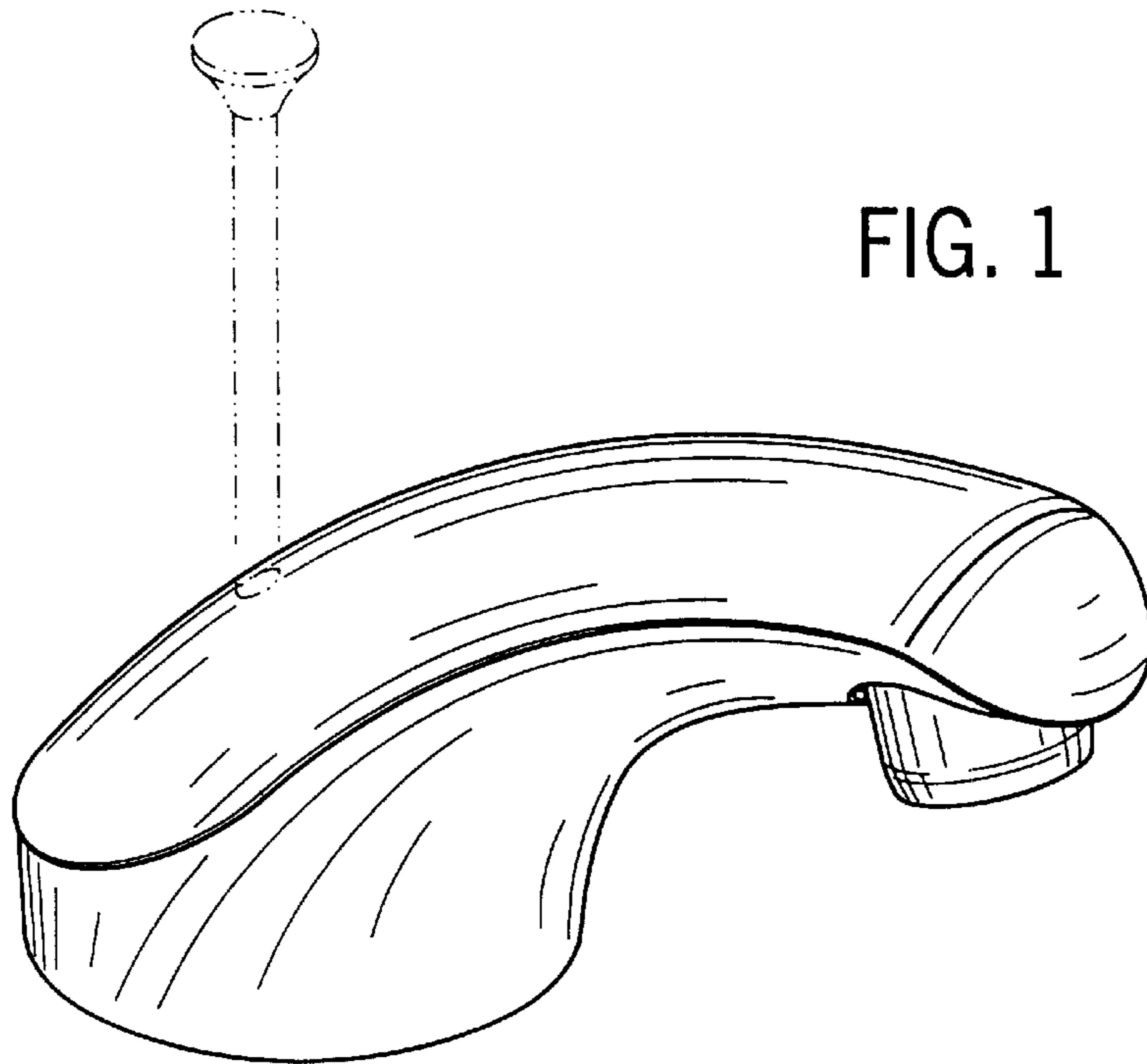


FIG. 1

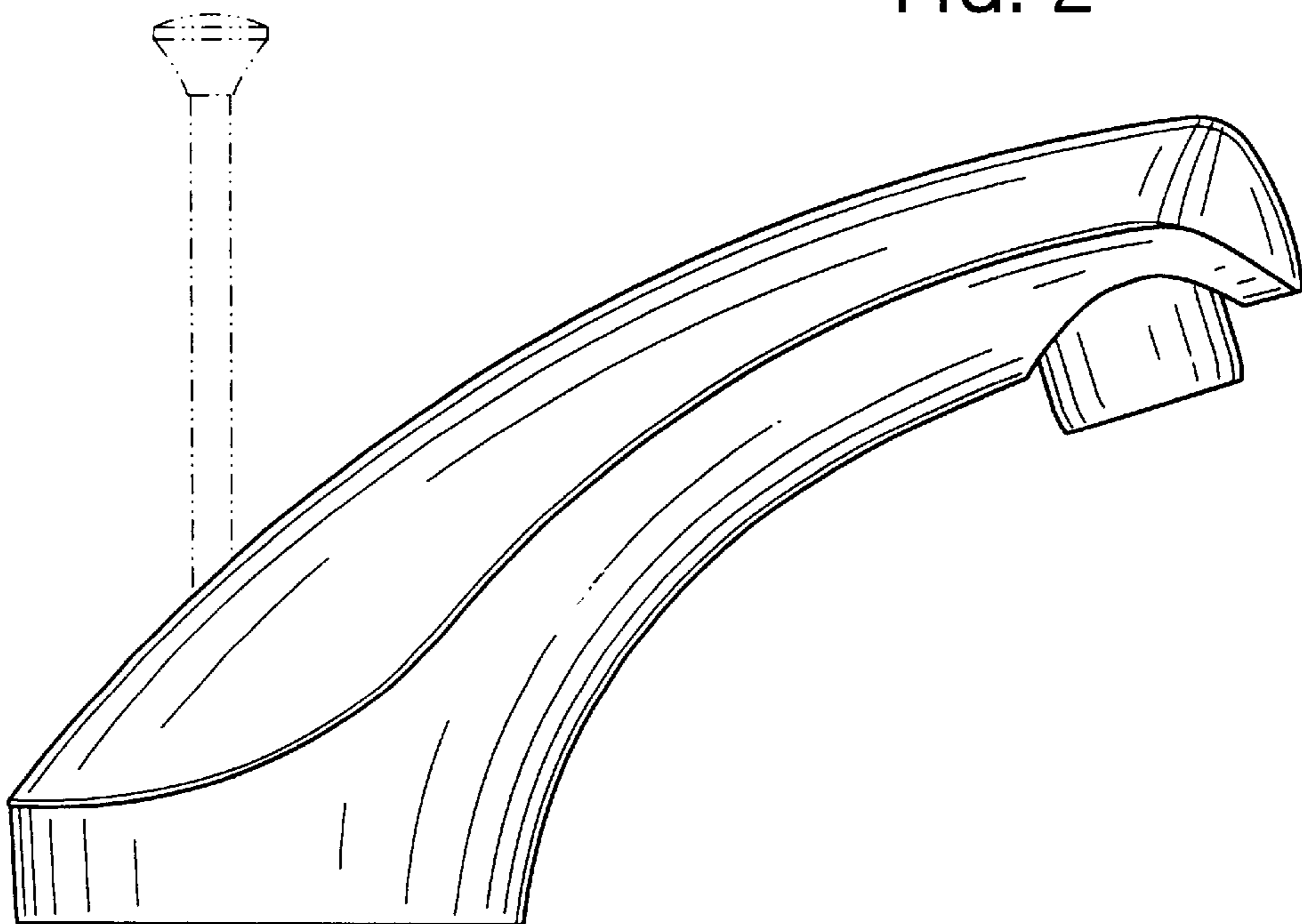


FIG. 2

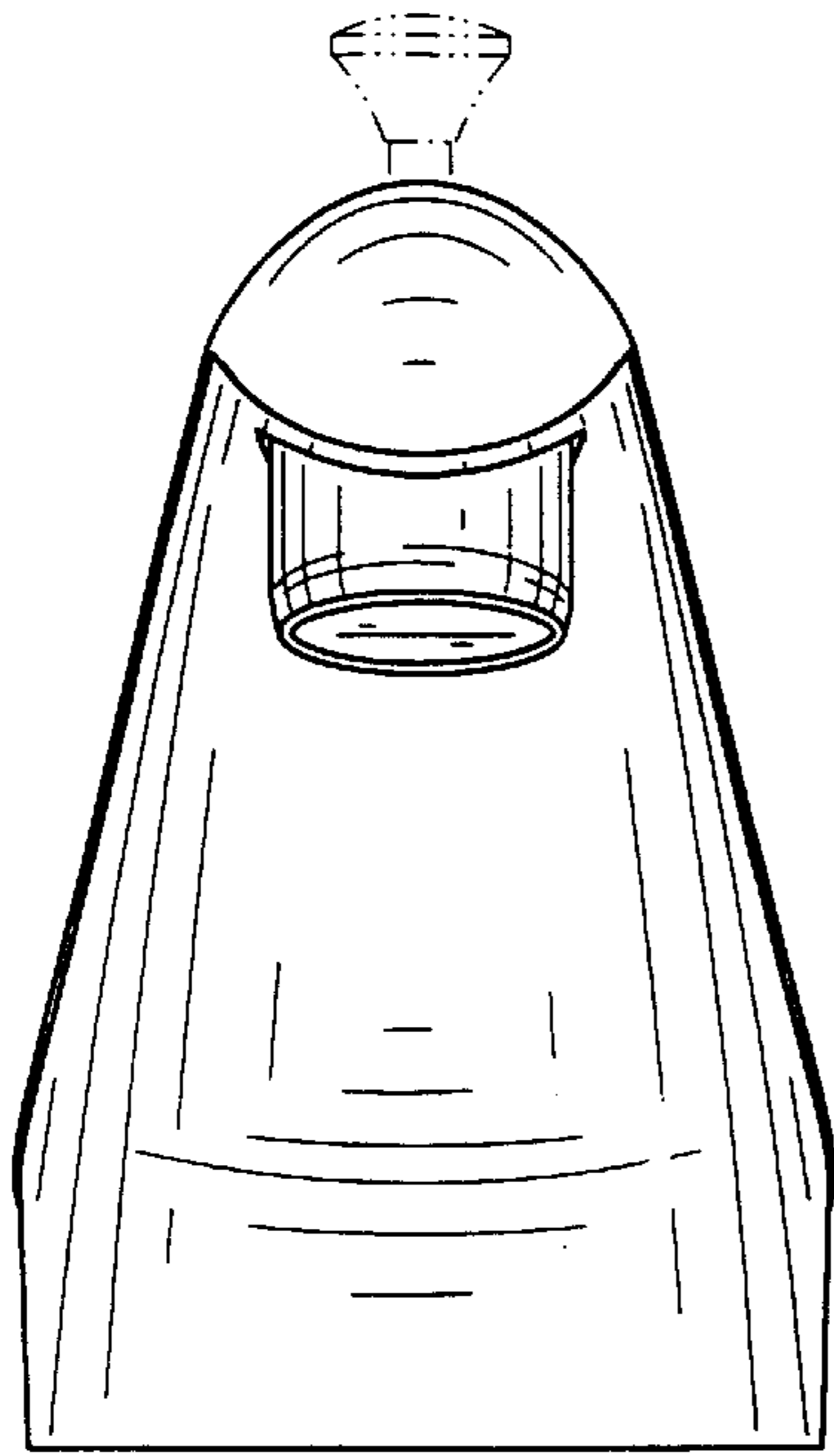


FIG. 3

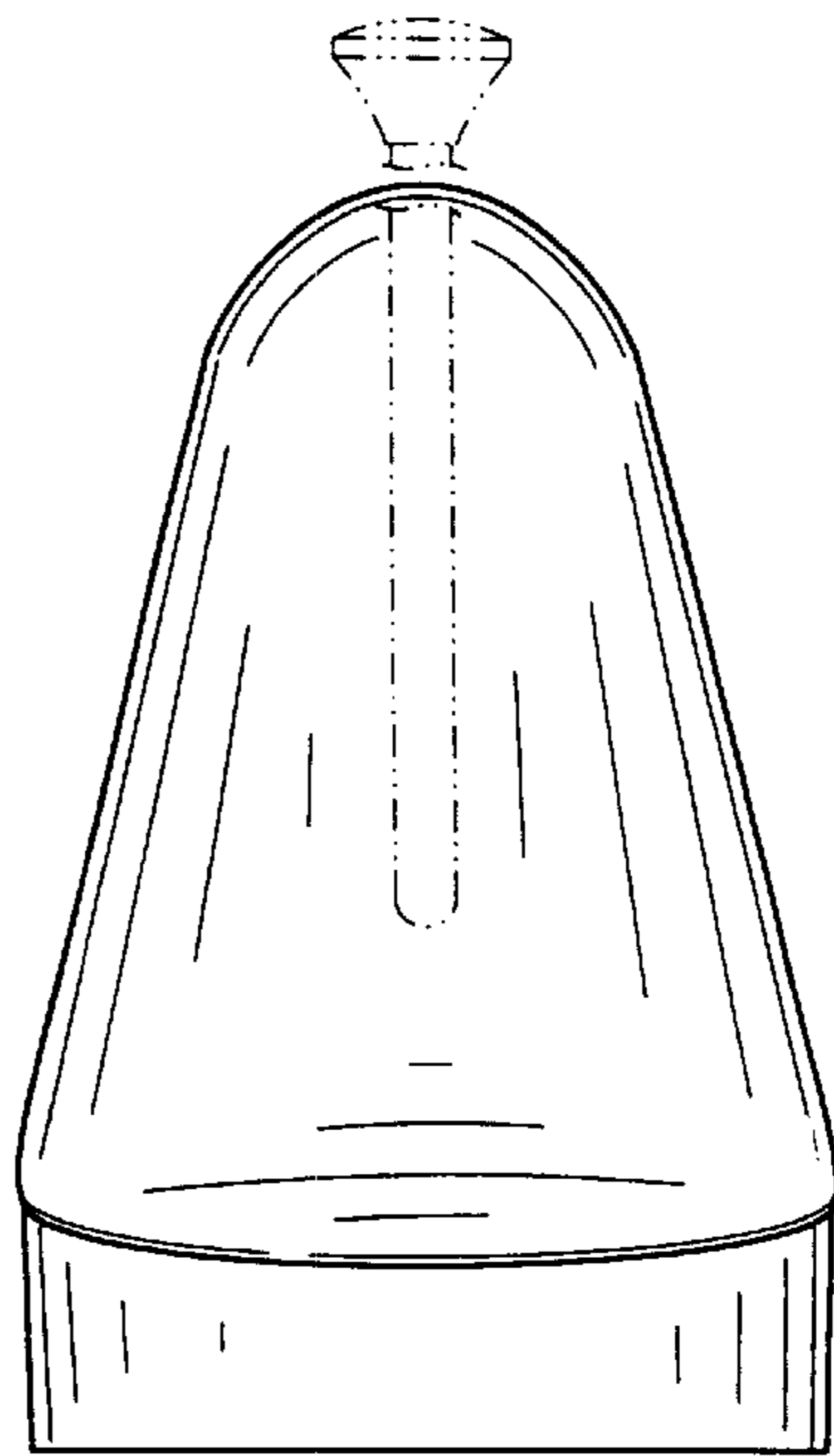


FIG. 4

FIG. 5

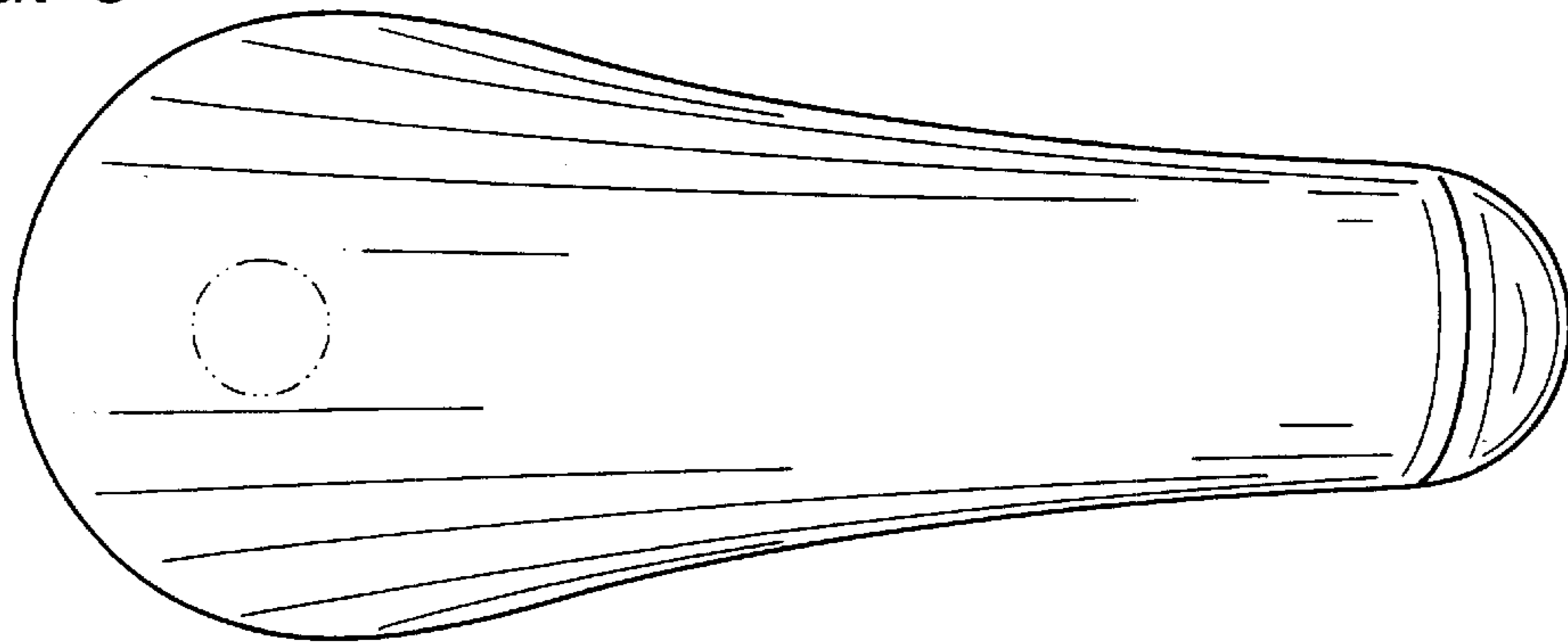
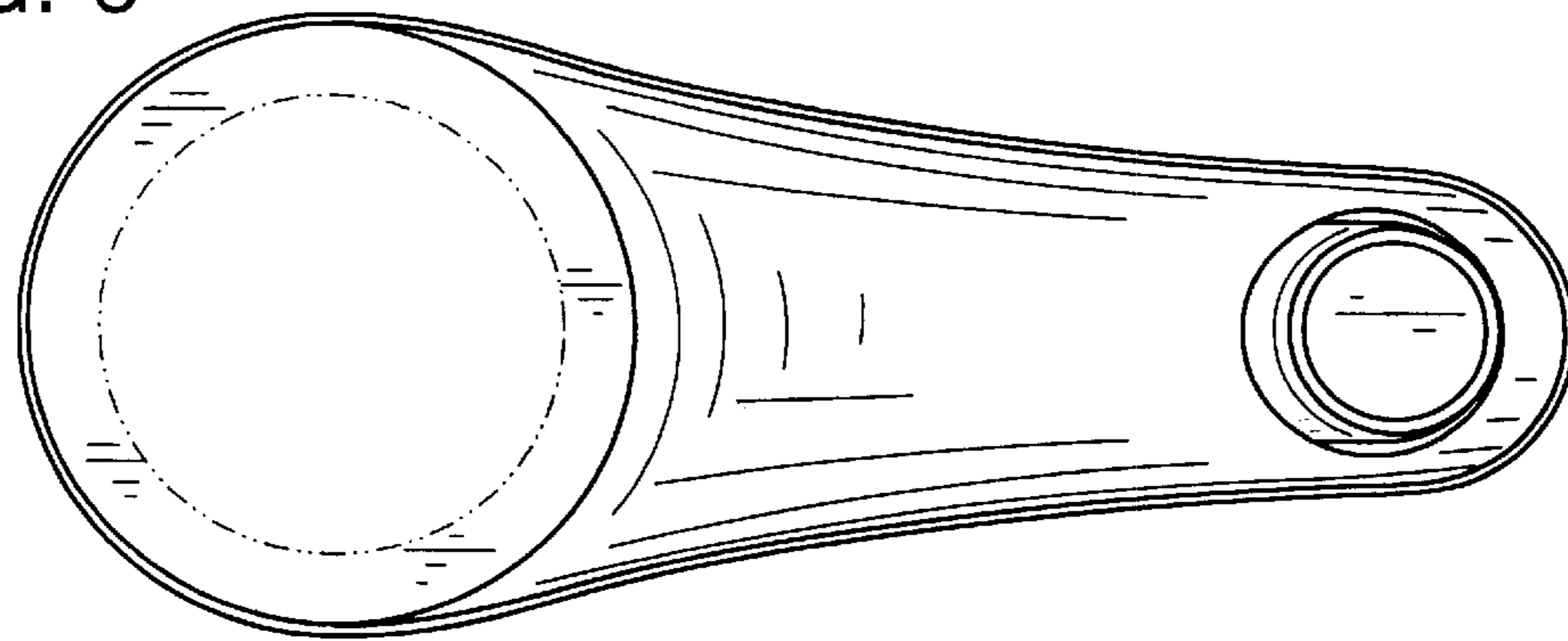


FIG. 6



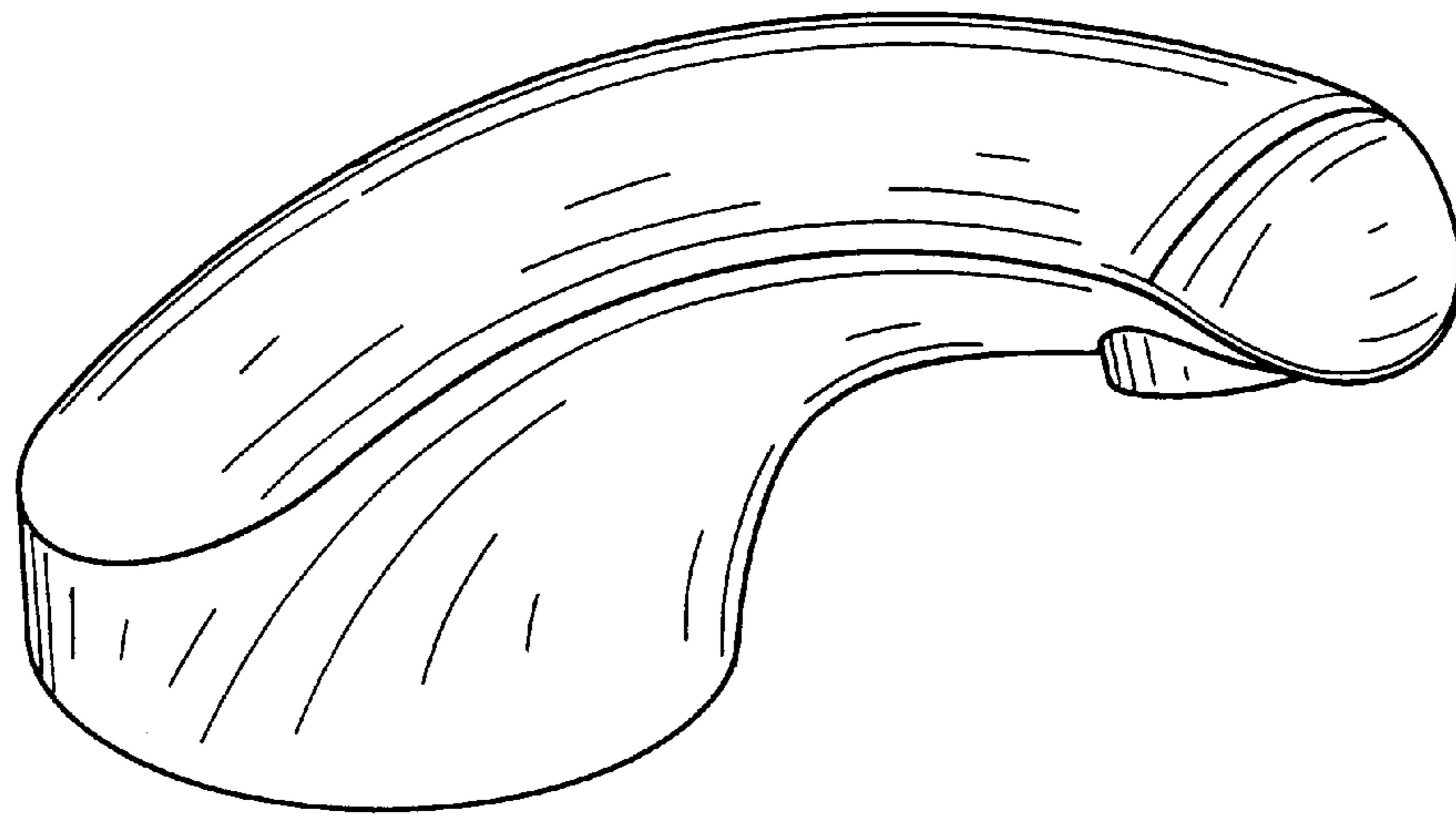


FIG. 7

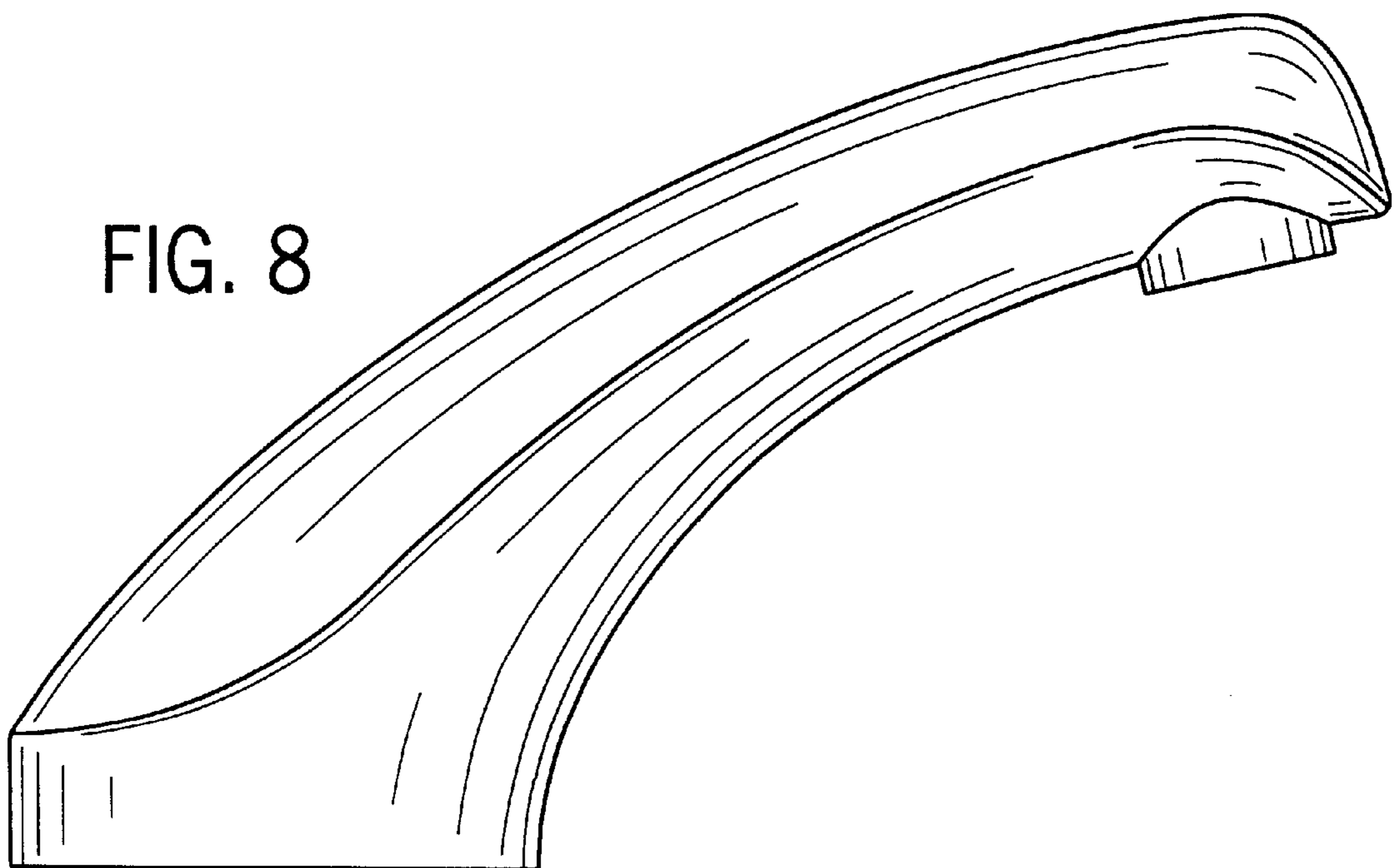


FIG. 8

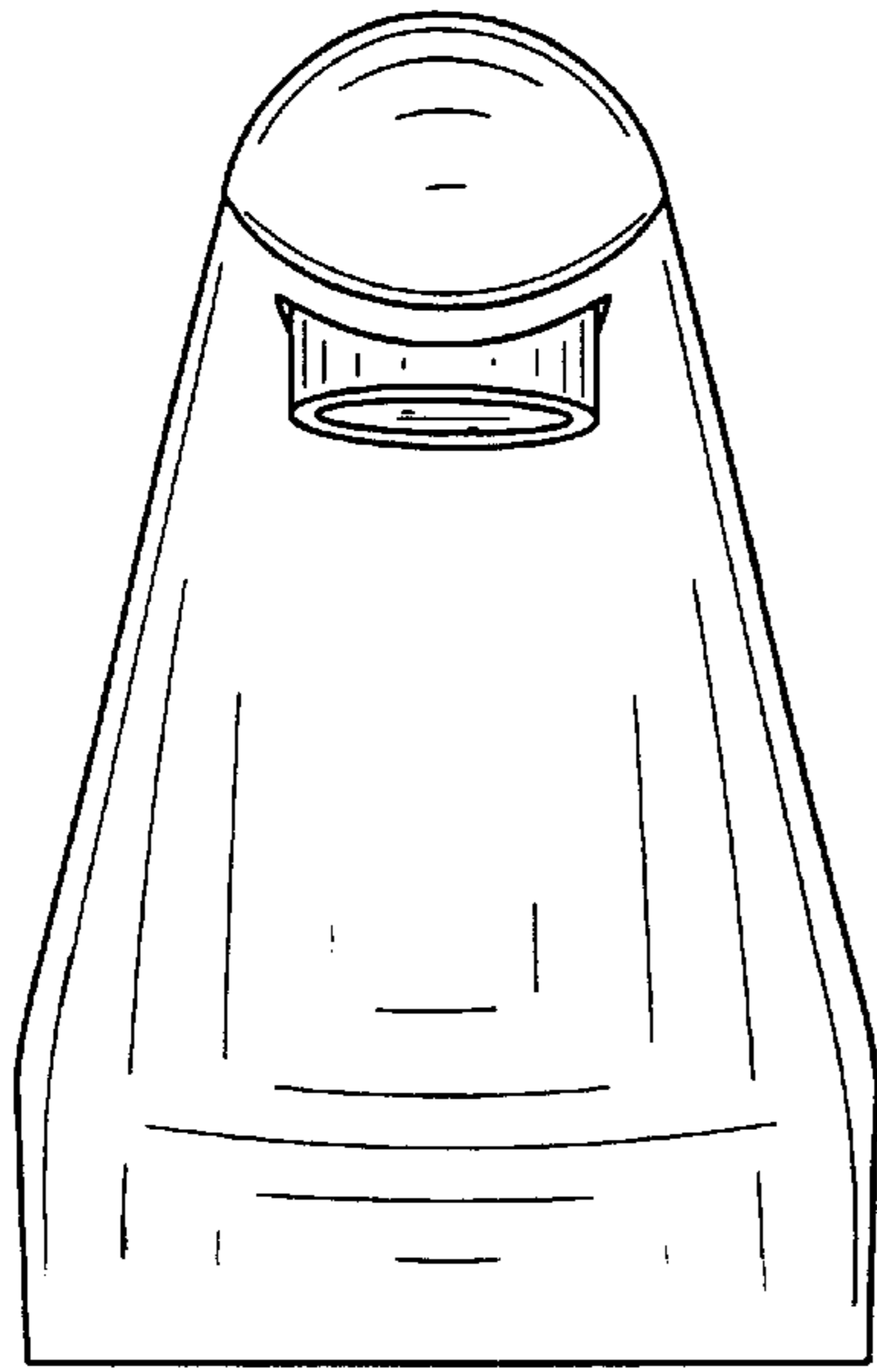


FIG. 9

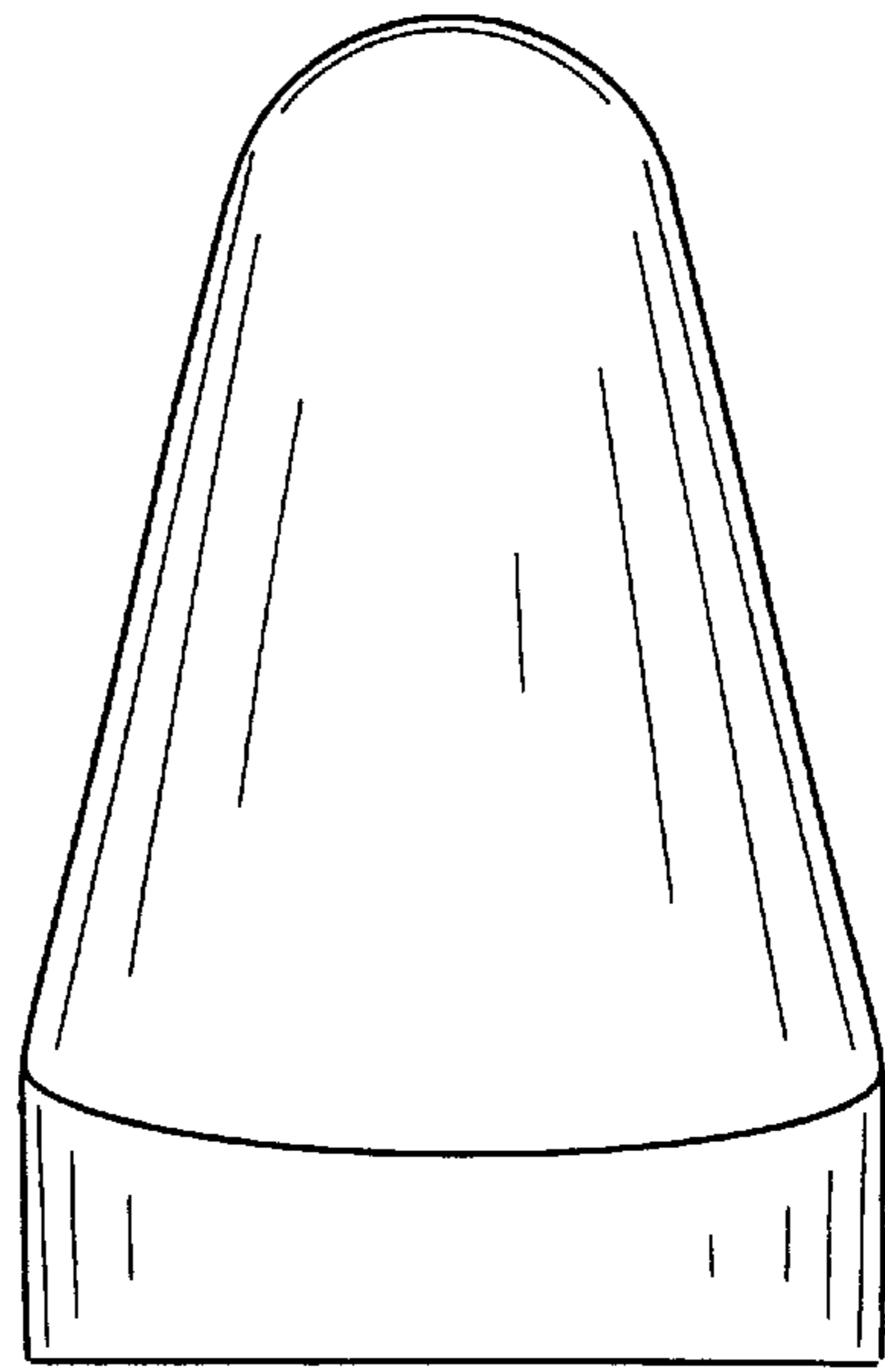


FIG. 10

FIG. 11

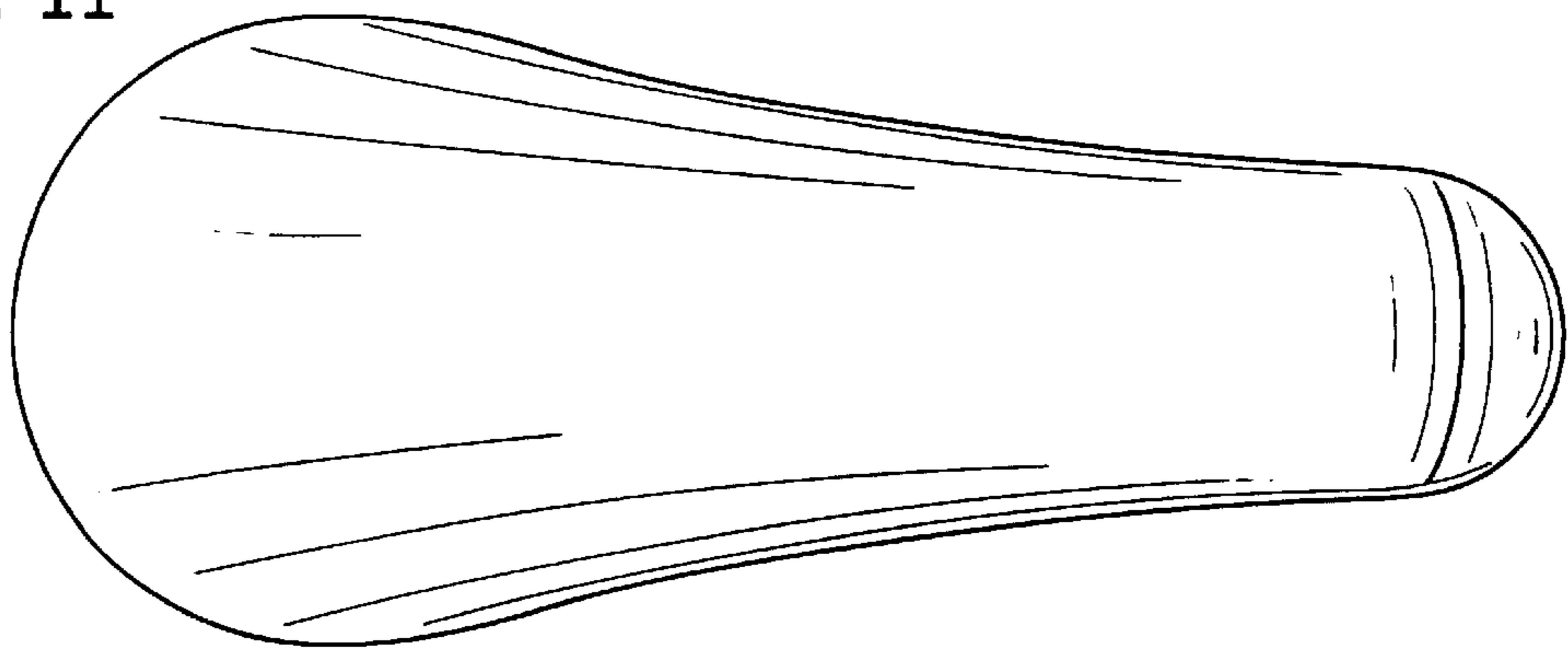


FIG. 12

