



US00D468806S

(12) **United States Design Patent**
Ripkey

(10) **Patent No.:** **US D468,806 S**

(45) **Date of Patent:** **** Jan. 14, 2003**

(54) **VALVE**

(75) **Inventor:** **John R. Ripkey, McHenry, IL (US)**

(73) **Assignee:** **Hose Shop, Ltd., Algonquin, IL (US)**

(**) **Term:** **14 Years**

(21) **Appl. No.:** **29/159,240**

(22) **Filed:** **Apr. 17, 2002**

(51) **LOC (7) Cl.** **23-01**

(52) **U.S. Cl.** **D23/233**

(58) **Field of Search** **D23/235, 245,**
D23/262, 247, 248, 249; 137/505.42, 505.12,
318

(56) **References Cited**

U.S. PATENT DOCUMENTS

D207,766 S	*	5/1967	Keane	D23/245
3,450,149 A	*	6/1969	Brinda	137/318
3,509,905 A	*	5/1970	Mullins	137/318
5,711,340 A	*	1/1998	Gusky et al.	137/68.19
D412,738 S	*	8/1999	Kuwabara	D23/233

D435,635 S	*	12/2000	Taneya	D23/233
6,170,519 B1	*	1/2001	Carroll et al.	137/505.42
6,176,256 B1	*	1/2001	Nakajima et al.	137/505.12
D442,267 S	*	5/2001	Kouda	D23/262
6,378,551 B1	*	4/2002	Long	137/495

* cited by examiner

Primary Examiner—Nelson C. Holtje

(74) *Attorney, Agent, or Firm*—Welsh & Katz, Ltd.

(57) **CLAIM**

The ornamental design for a valve, as shown and described.

DESCRIPTION

FIG. 1 is a perspective view of a valve embodying my new invention;

FIG. 2 is a front view of the valve;

FIG. 3 is a side view of the valve as seen from the right-hand side of FIG. 2, the opposite side view being a mirror image thereof;

FIG. 4 is a rear view of the valve;

FIG. 5 is a top view of the valve; and,

FIG. 6 is bottom view of the valve.

1 Claim, 1 Drawing Sheet

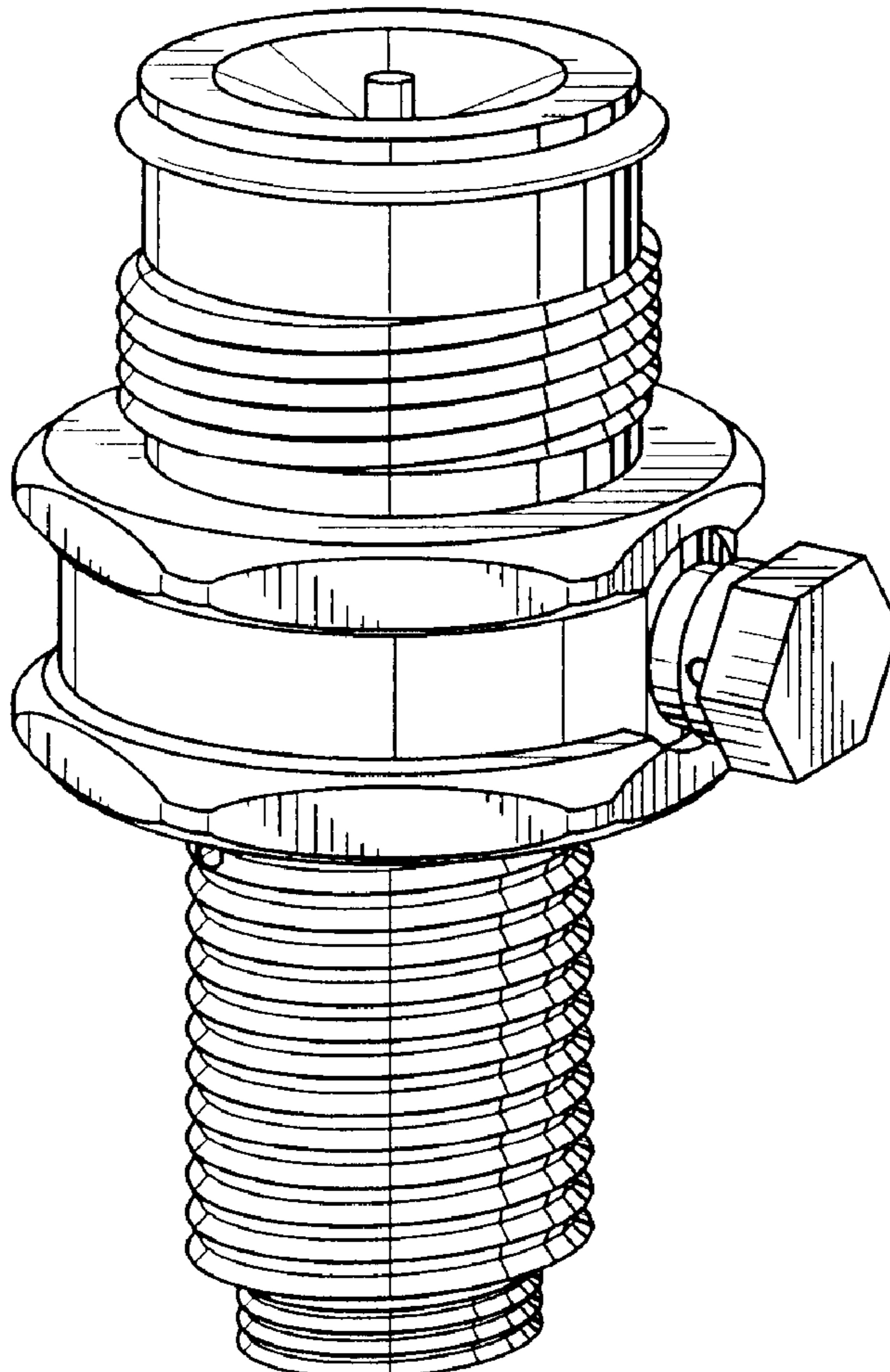


Fig. 1

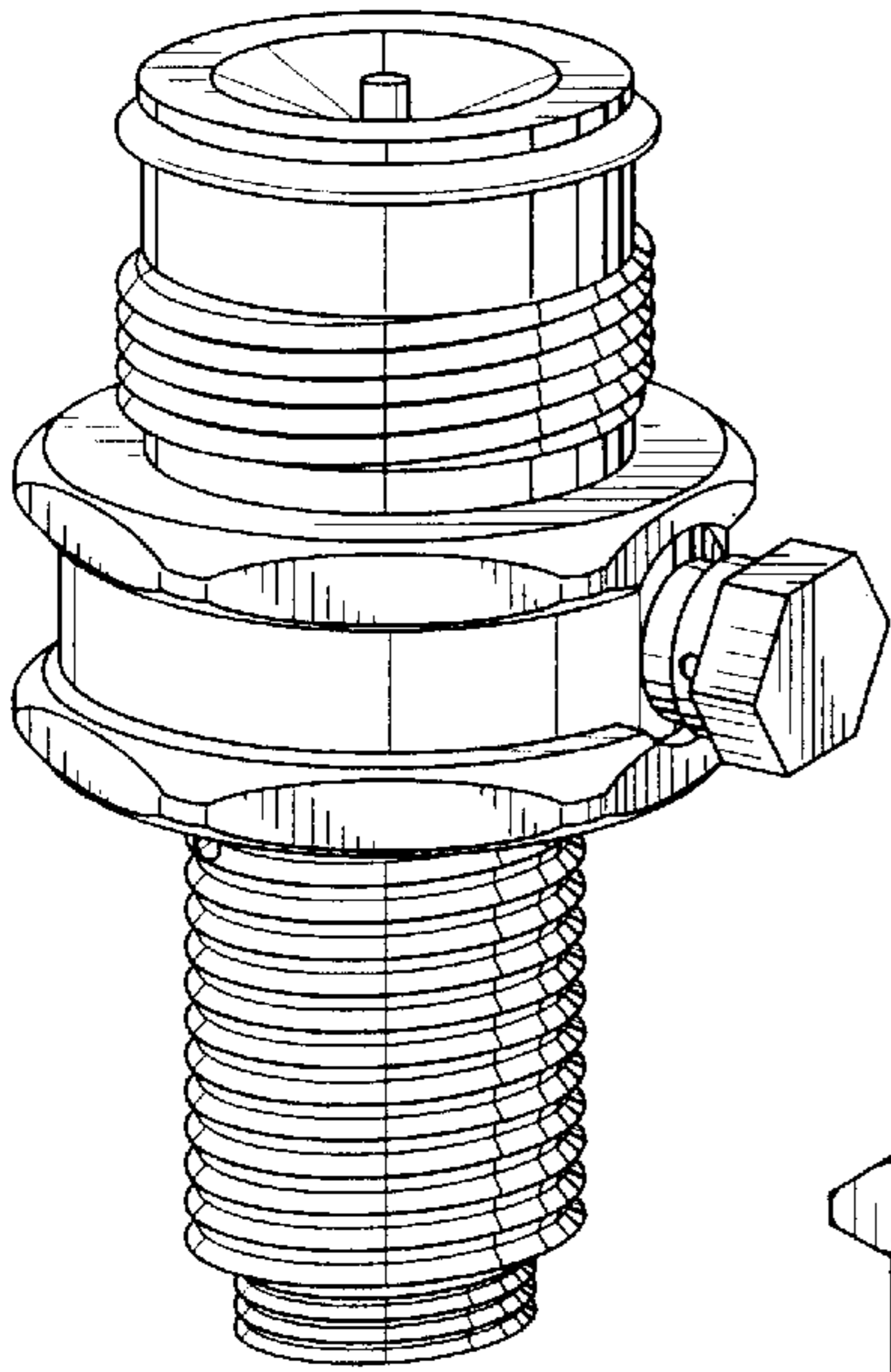


Fig. 2

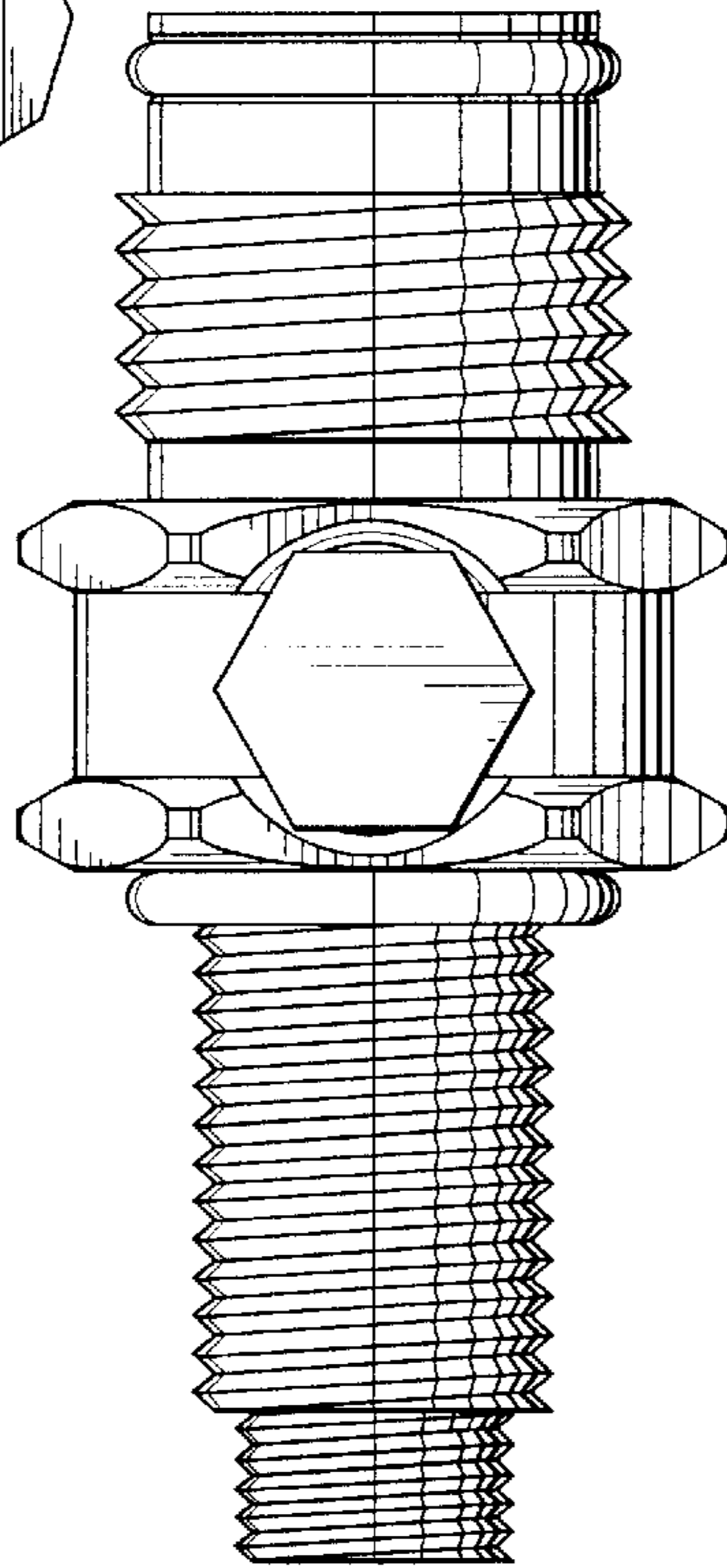


Fig. 3

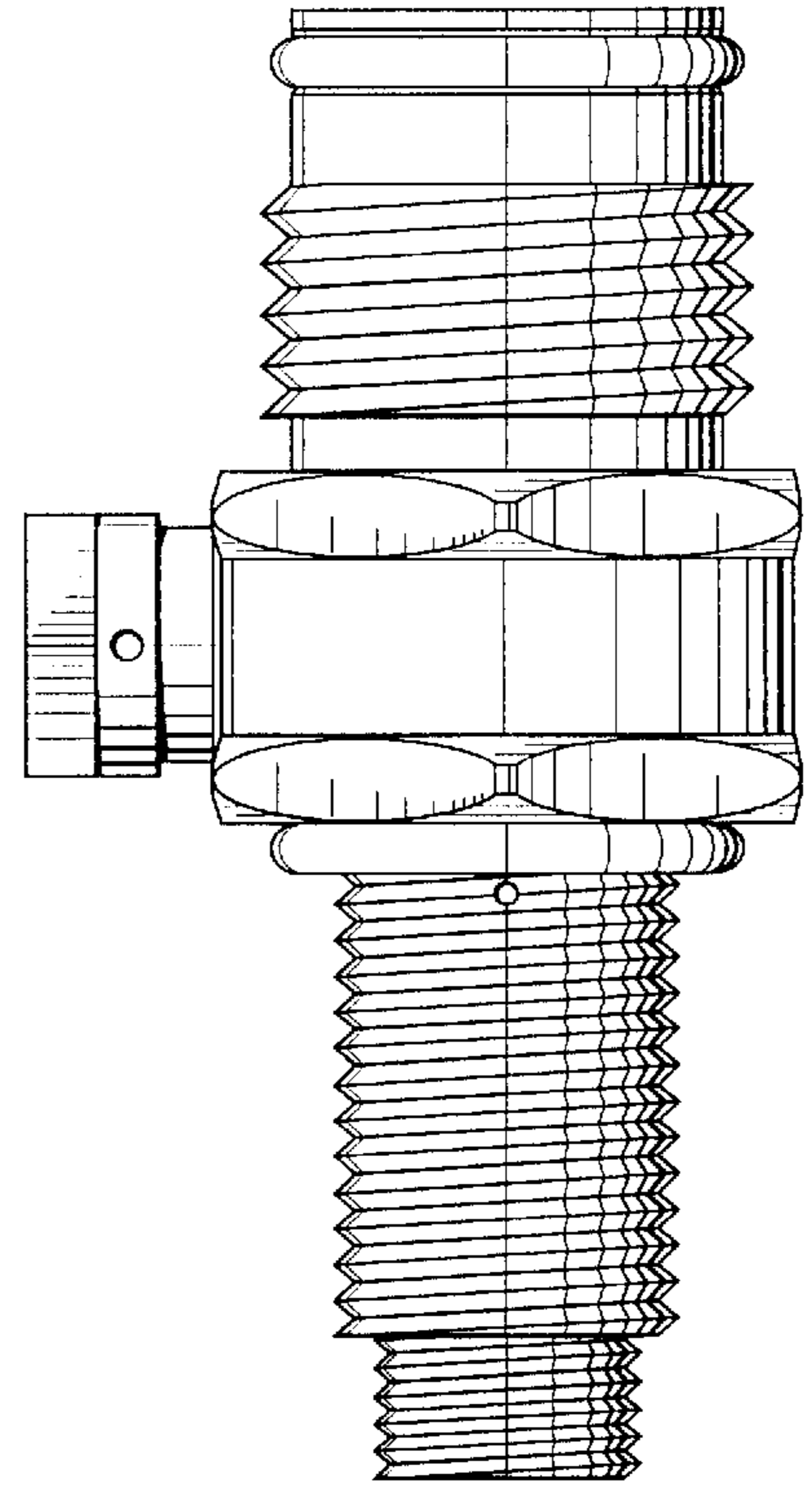


Fig. 4

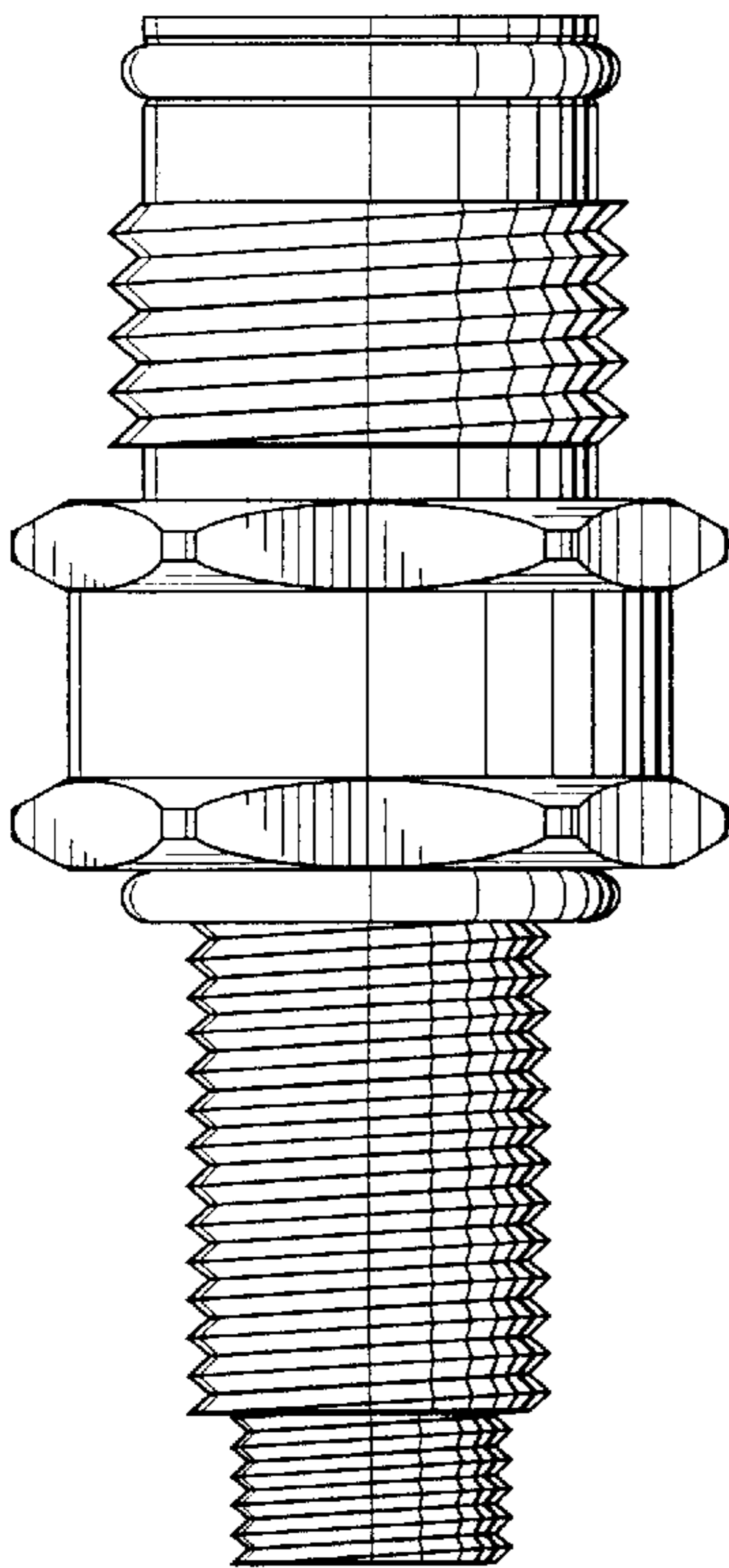


Fig. 5

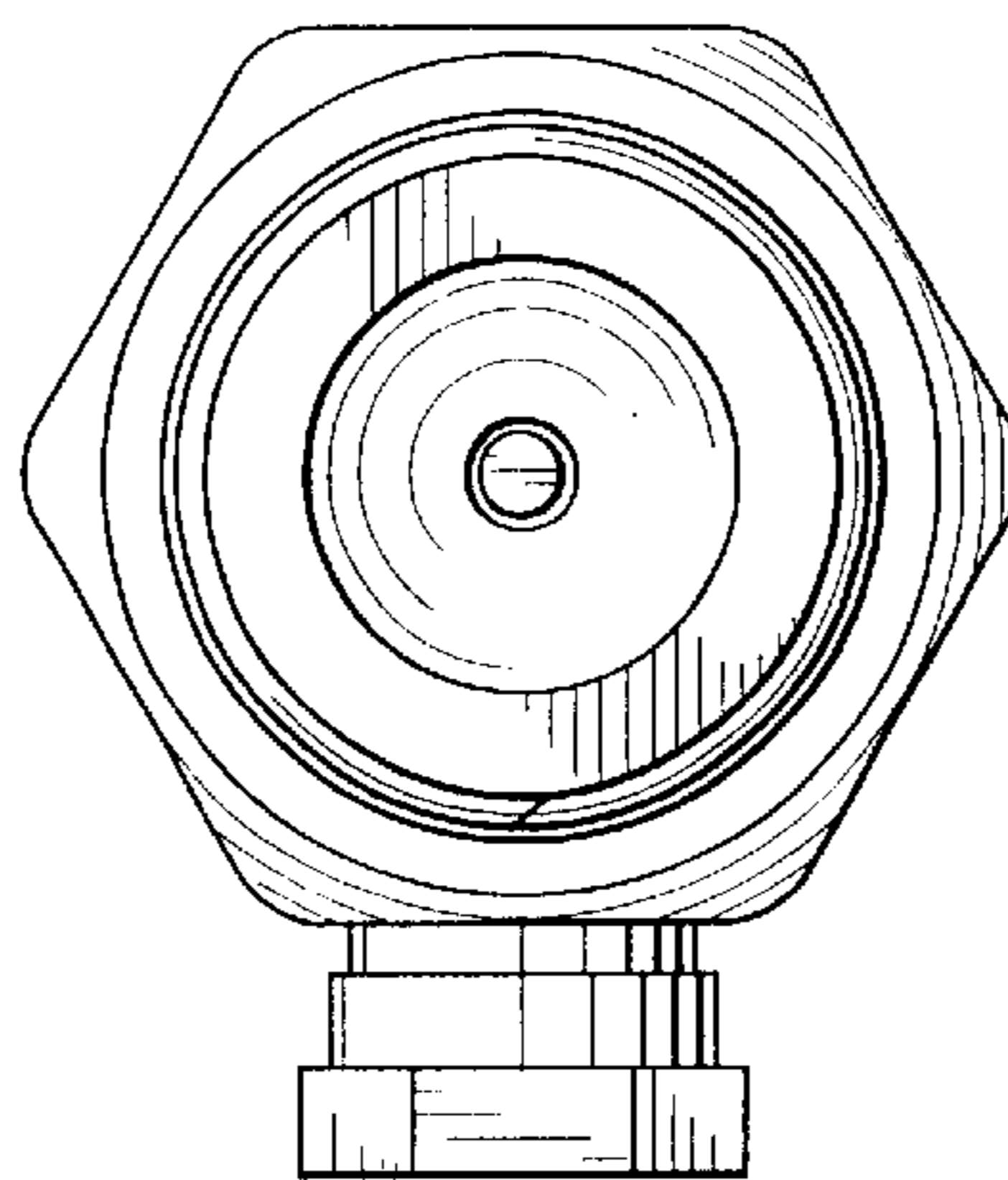


Fig. 6

