



US00D468805S

(12) **United States Design Patent**  
**Czerwinski, Jr.**

(10) **Patent No.:** **US D468,805 S**

(45) **Date of Patent:** **\*\* Jan. 14, 2003**

- (54) **SIDE SPRAY**
- (75) Inventor: **Jerome F. Czerwinski, Jr.**, Long Beach, CA (US)
- (73) Assignee: **Emhart LLC**, Newark, DE (US)
- (\*\*) Term: **14 Years**
- (21) Appl. No.: **29/165,014**
- (22) Filed: **Aug. 2, 2002**

D390,915 S	2/1998	Futo et al.	
D392,023 S	3/1998	Milrud et al. ....	D23/226
D409,721 S	5/1999	Burchard et al.	
D415,822 S	10/1999	Ouyoung .....	D23/226
D420,427 S	2/2000	Yung	
D430,644 S	9/2000	Higgins .....	D23/226

*Primary Examiner*—Robin V. Taylor  
(74) *Attorney, Agent, or Firm*—Richard J. Veltman; John D. Del Ponti

**Related U.S. Application Data**

- (63) Continuation-in-part of application No. 29/140,854, filed on Apr. 26, 2001.
- (51) **LOC (7) Cl.** ..... **23-01**
- (52) **U.S. Cl.** ..... **D23/226**
- (58) **Field of Search** ..... D23/213, 223, D23/226; 4/615; 239/525, 526, 530

(57) **CLAIM**

The ornamental design for a side spray, as shown and described.

**DESCRIPTION**

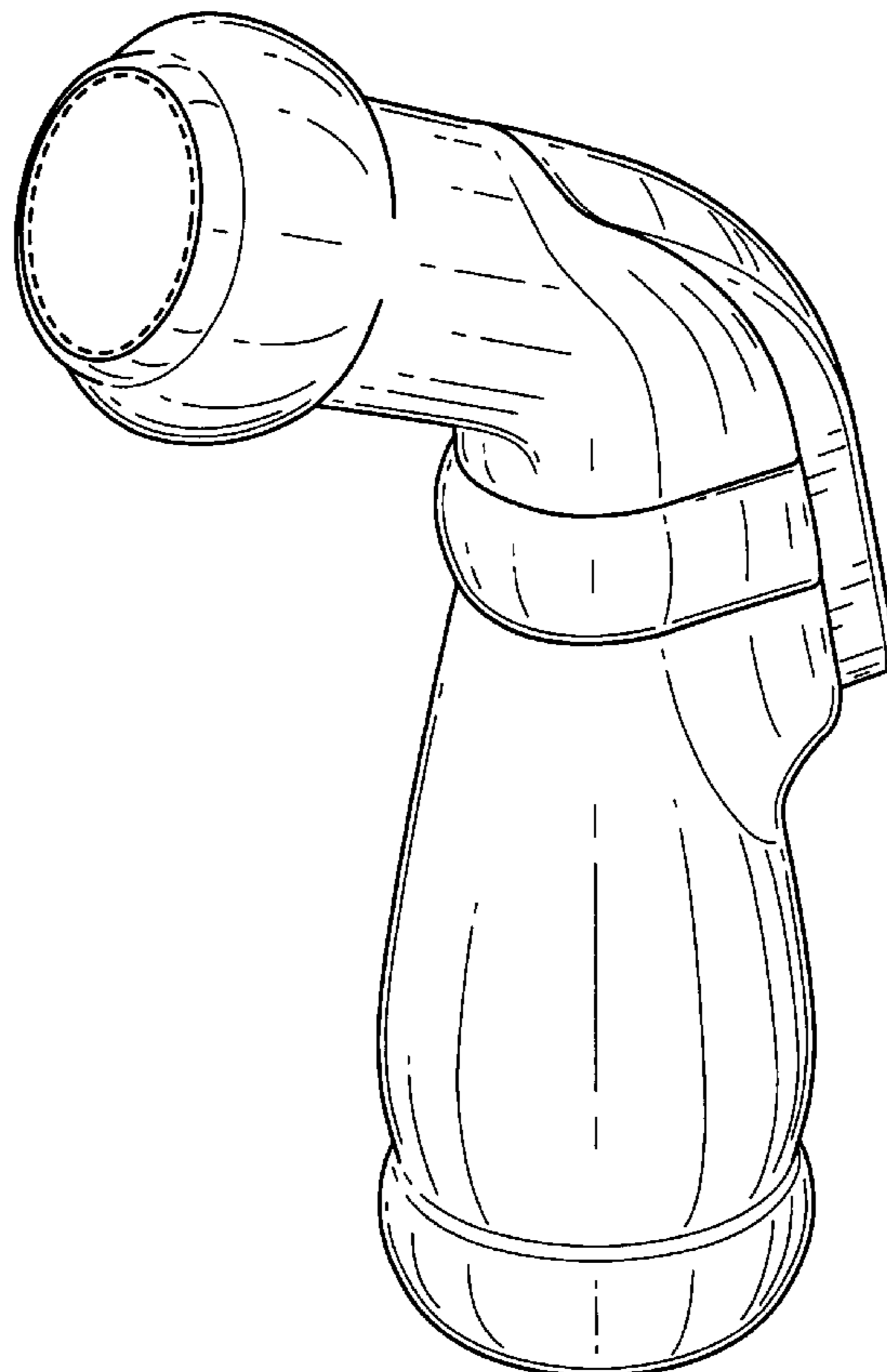
FIG. 1 is a front perspective view of the new design for a side spray;  
 FIG. 2 is a front elevational view of the new design for a side spray;  
 FIG. 3 is a rear elevational view of the new design for a side spray;  
 FIG. 4 is a left side elevational view of the new design for a side spray, the right side elevational view being a mirror image;  
 FIG. 5 is a top plan view of the new design for a side spray; and,  
 FIG. 6 is a bottom plan view of the new design for a side spray.

(56) **References Cited**

**U.S. PATENT DOCUMENTS**

D187,904 S	5/1960	Kellogg
D288,228 S	2/1987	Shames et al.
D308,093 S	5/1990	Hill et al.
D373,174 S	8/1996	Valley et al.
D373,175 S	8/1996	Valley et al.
D385,949 S	11/1997	Yang
D385,950 S	11/1997	Yang

**1 Claim, 5 Drawing Sheets**



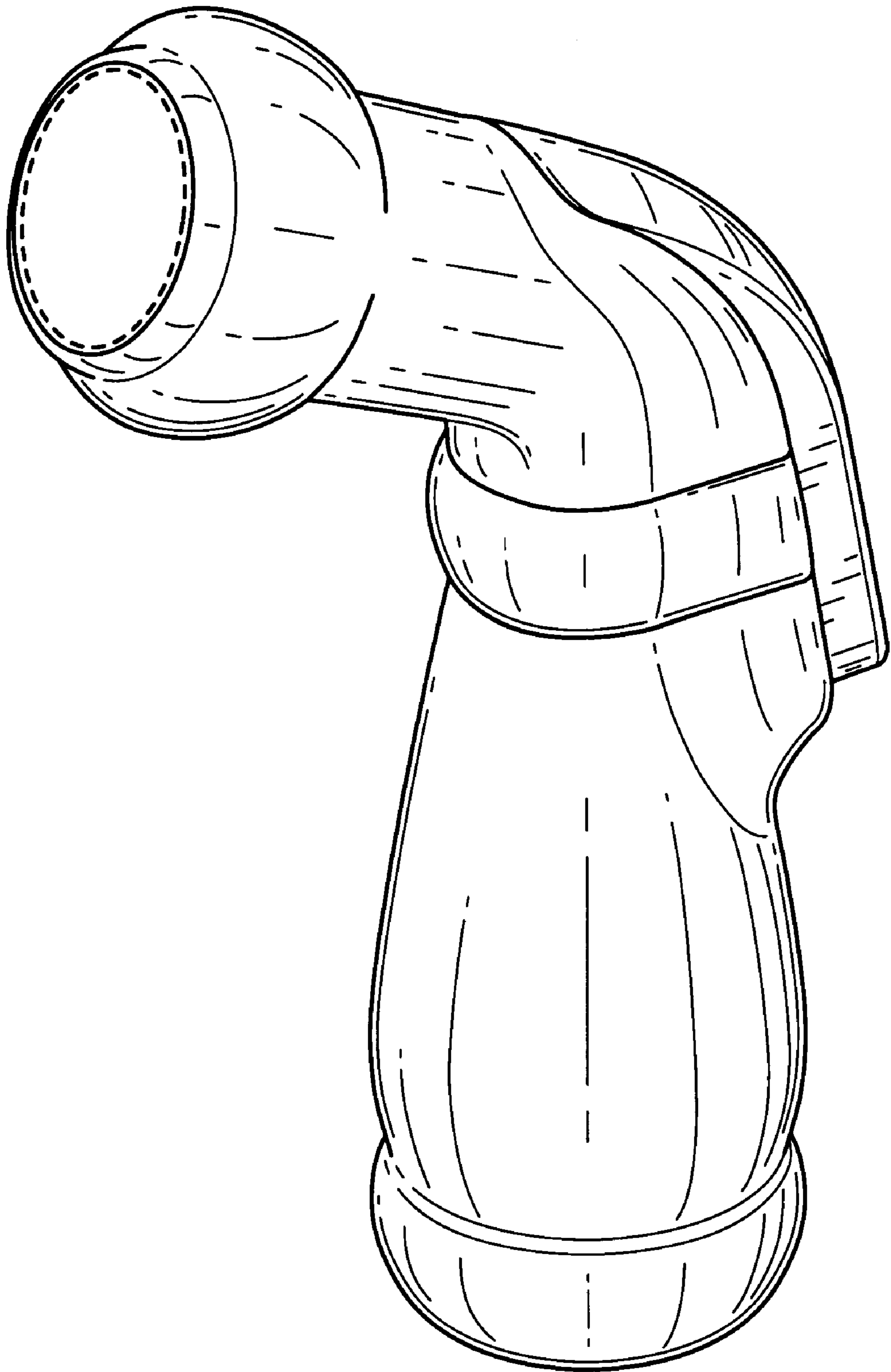


FIG. 1

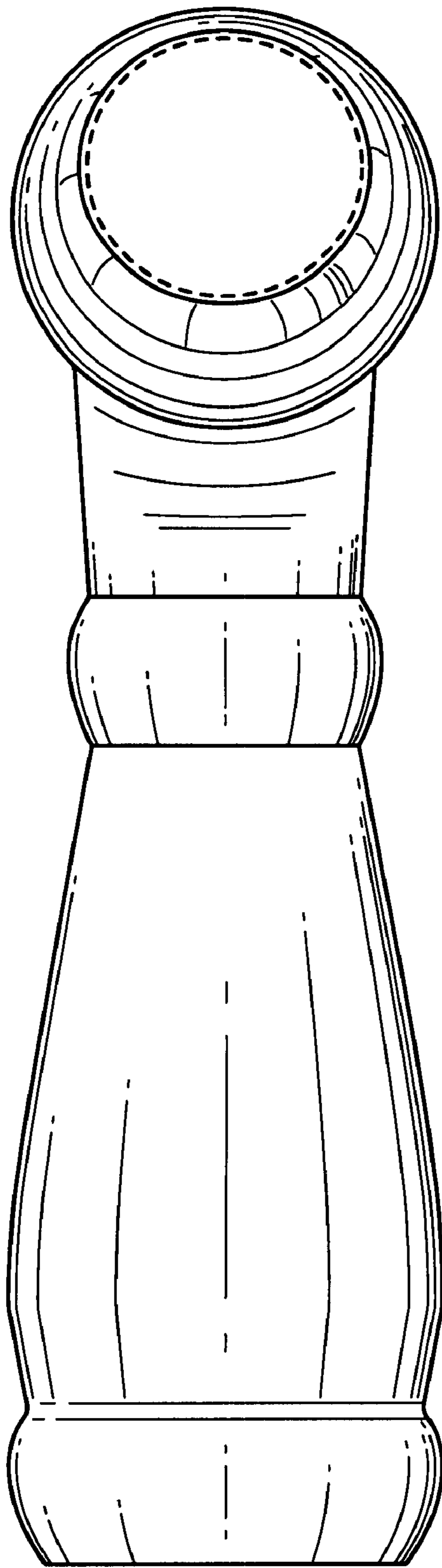


FIG. 2

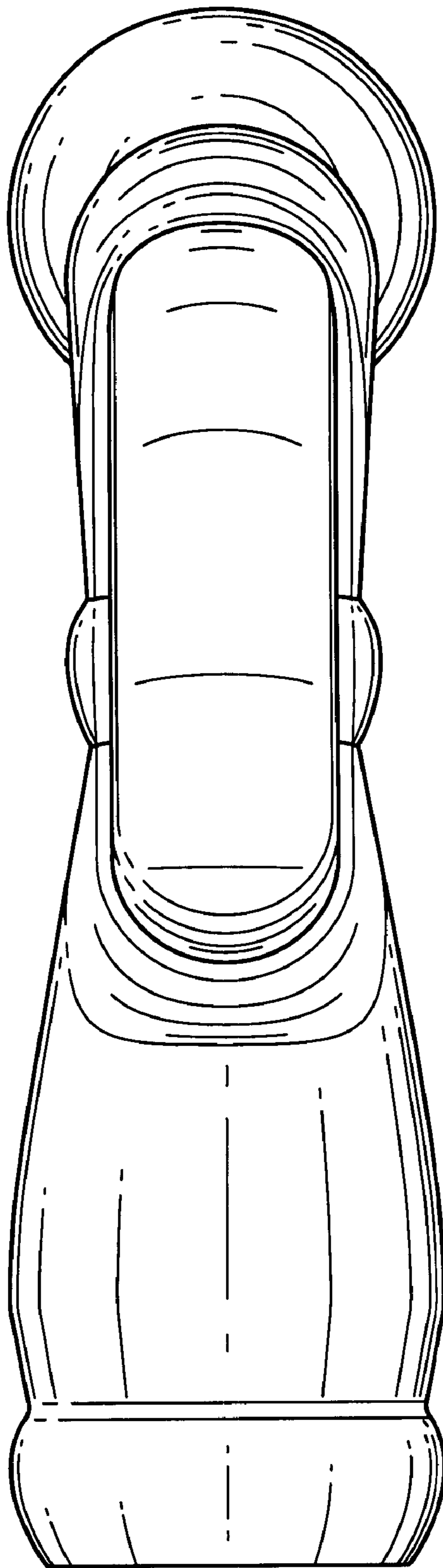


FIG. 3

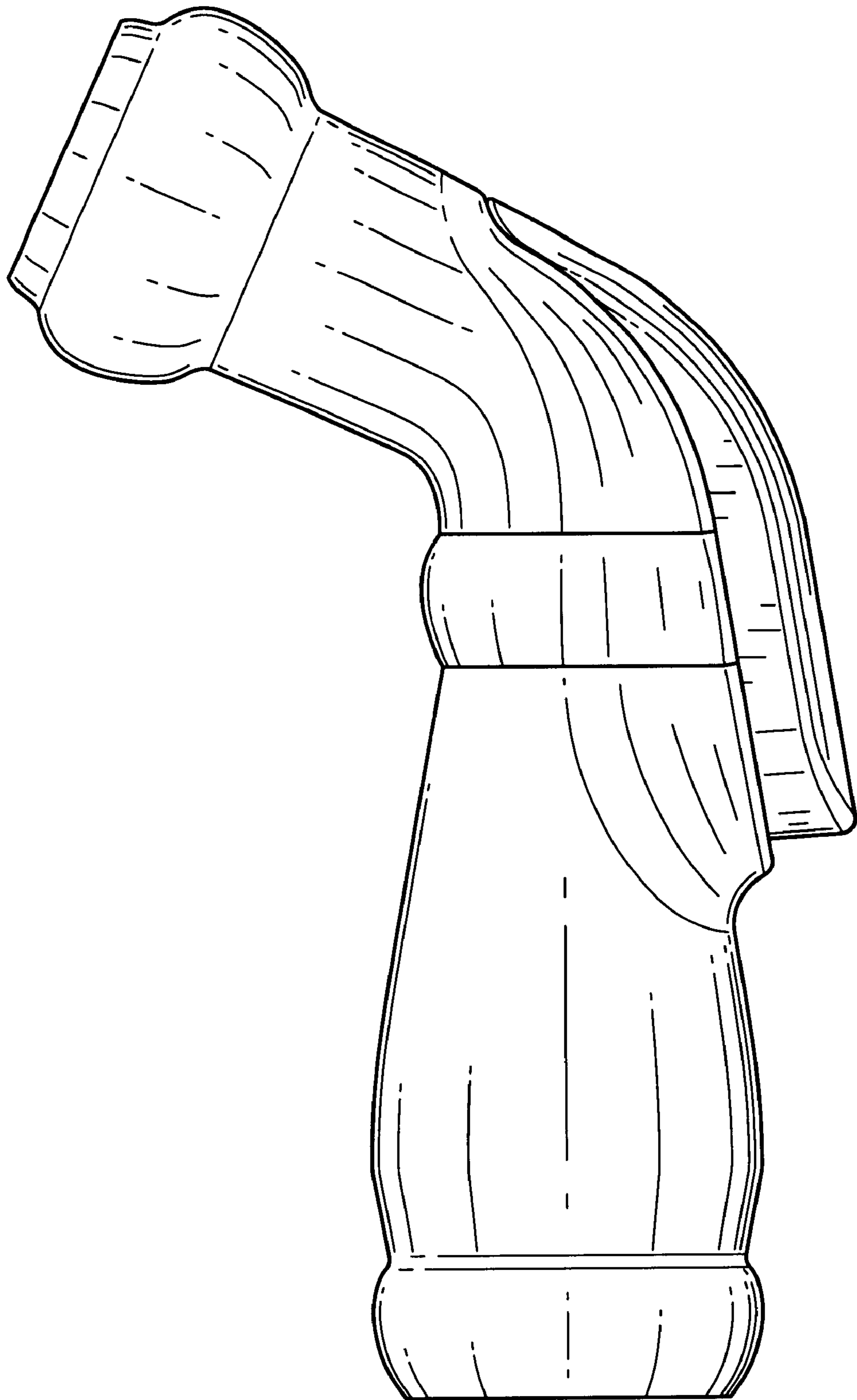


FIG. 4

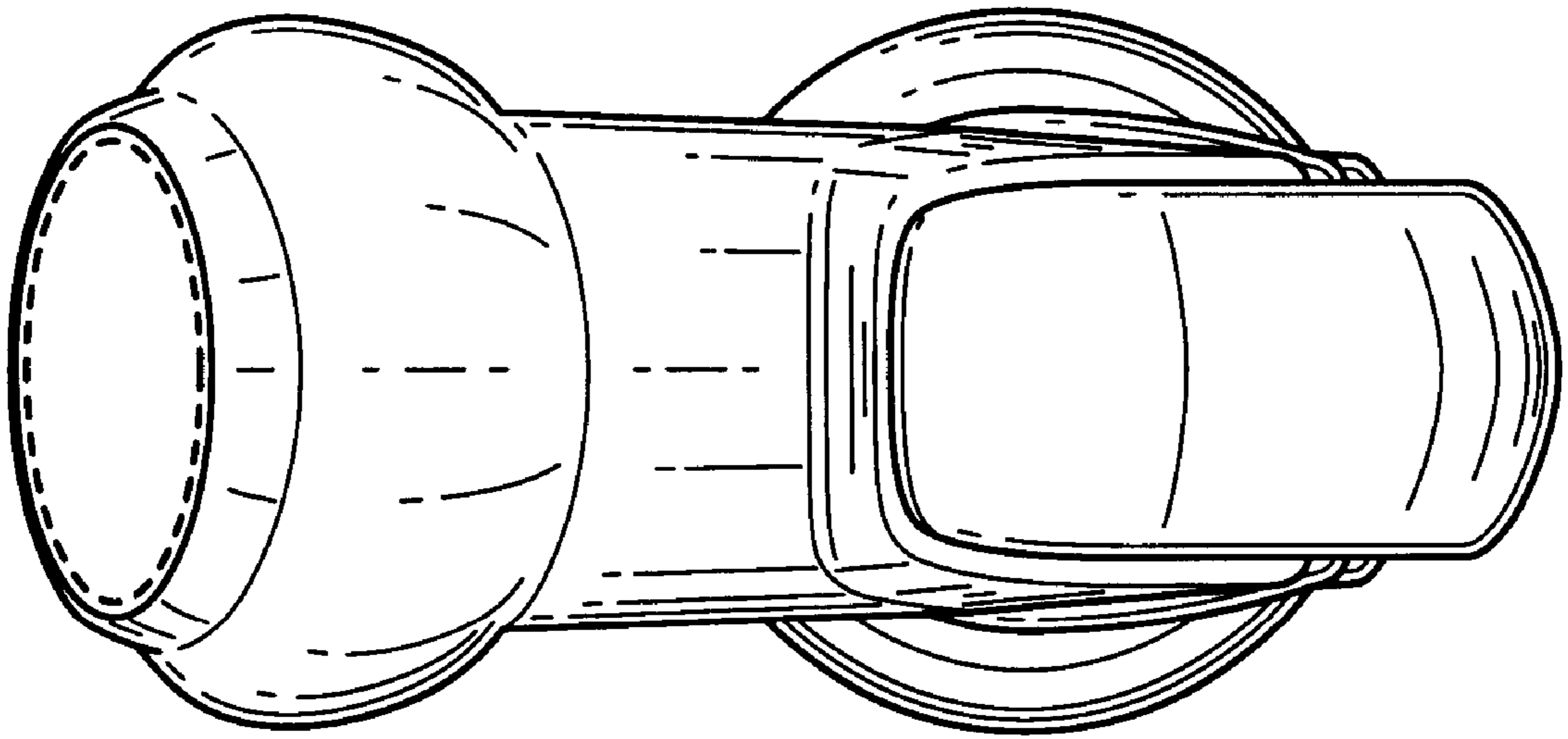


FIG. 5

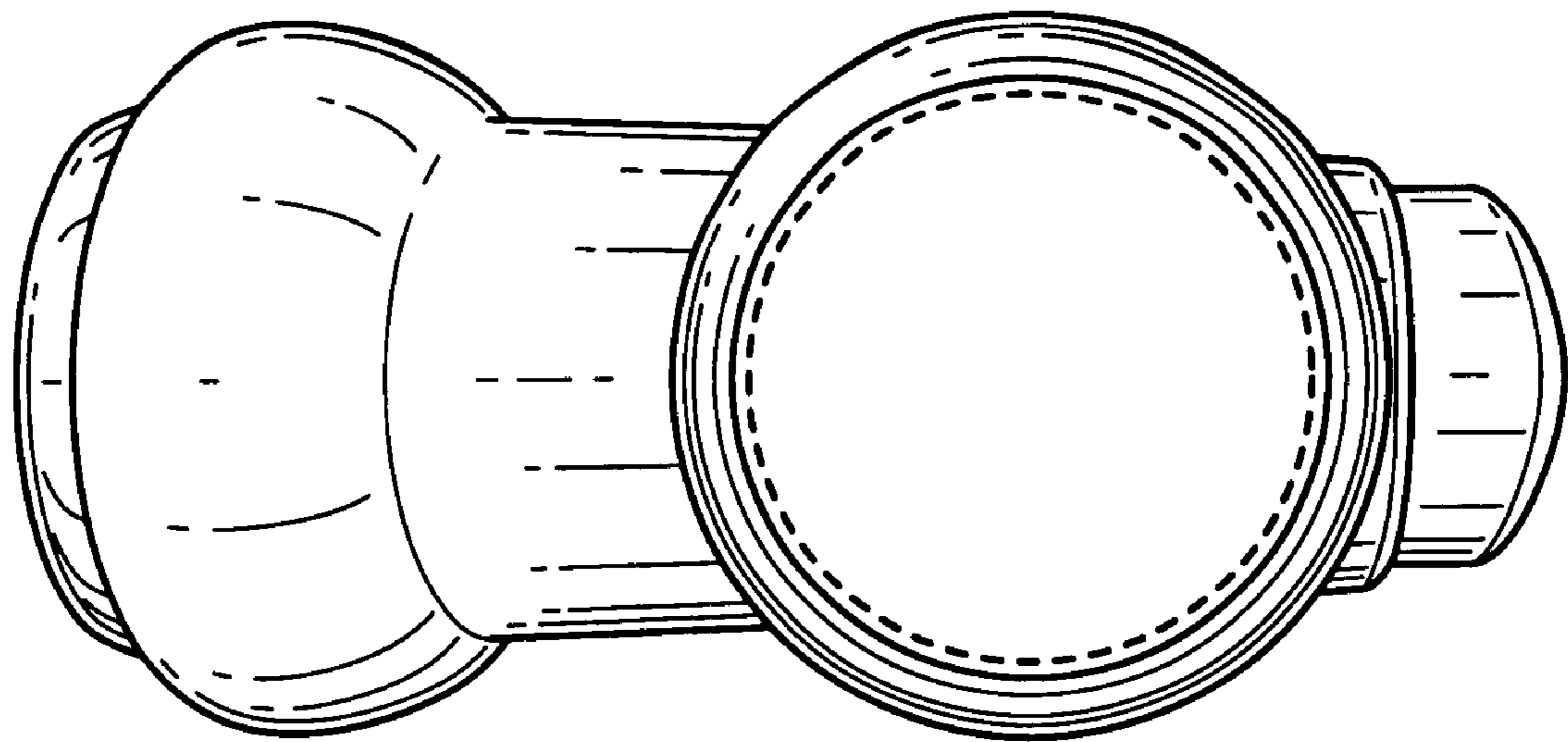


FIG. 6