



US00D468801S

(12) **United States Design Patent**  
**Hubmann et al.**

(10) **Patent No.:** **US D468,801 S**  
(45) **Date of Patent:** **\*\* Jan. 14, 2003**

(54) **DISPENSING HEAD**

(75) Inventors: **Curtis H. Hubmann**, Racine, WI (US);  
**Elizabeth A. Slater**, Cambs (GB);  
**Reuben Wu**, Saffron Walden (GB);  
**Matthew E. Young**, Cambs (GB)

(73) Assignee: **JohnsonDiversey, Inc.**, Sturtevant, WI (US)

(\*\*) Term: **14 Years**

(21) Appl. No.: **29/150,585**

(22) Filed: **Nov. 6, 2001**

**Related U.S. Application Data**

(63) Continuation-in-part of application No. 29/148,395, filed on Sep. 19, 2001, now abandoned.

(51) **LOC (7) Cl.** ..... **23-01**

(52) **U.S. Cl.** ..... **D23/225**

(58) **Field of Search** ..... D23/213, 225;  
D8/2; 239/302, 308, 310, 316-318, 324

(56) **References Cited**

**U.S. PATENT DOCUMENTS**

1,721,726 A	7/1929	Boe	
2,788,244 A	4/1957	Gilmour	299/84
2,991,939 A	7/1961	Packard	239/114
3,145,735 A	8/1964	Osrow et al.	137/604
3,412,937 A	11/1968	Chamberlain	239/142
3,863,843 A	2/1975	Hechler, IV	239/318
3,964,689 A	6/1976	Horvath, Jr.	239/318
4,475,689 A	10/1984	Hauger et al.	239/318
D295,214 S	4/1988	Miller	D23/225
D296,813 S	7/1988	Ellison	D23/225
D305,452 S	1/1990	Morgan	D23/225

4,901,923 A	2/1990	McRoskey et al.	239/123
D307,463 S	4/1990	Fushiya et al.	D23/225
D319,292 S	* 8/1991	Gunzel et al.	D23/213
5,213,265 A	* 5/1993	Englhard et al.	239/310
5,259,557 A	11/1993	Spriggs et al.	239/304
D358,865 S	* 5/1995	Englhard et al.	D23/213
D378,493 S	3/1997	Subbaraman et al.	D9/524
5,996,907 A	12/1999	Toetschinger et al.	239/305
D433,095 S	* 10/2000	Beaver et al.	D23/213
6,158,673 A	12/2000	Toetschinger et al.	239/305
6,182,911 B1	2/2001	Hanks et al.	239/318

\* cited by examiner

*Primary Examiner*—Robin V. Taylor

(74) *Attorney, Agent, or Firm*—Neil E. Hamilton; Warren R. Bovee; Renee J. Rymarz

(57) **CLAIM**

The ornamental design for a dispensing head, as shown and described.

**DESCRIPTION**

The nature of this product is as a dispenser for liquids primarily used for cleaning and sanitizing solutions.

FIG. 1 is a right, front, perspective view of a dispensing head embodying our new design;

FIG. 2 is a right side elevational view thereof, the left side elevational view thereof being a mirror image of the right side shown;

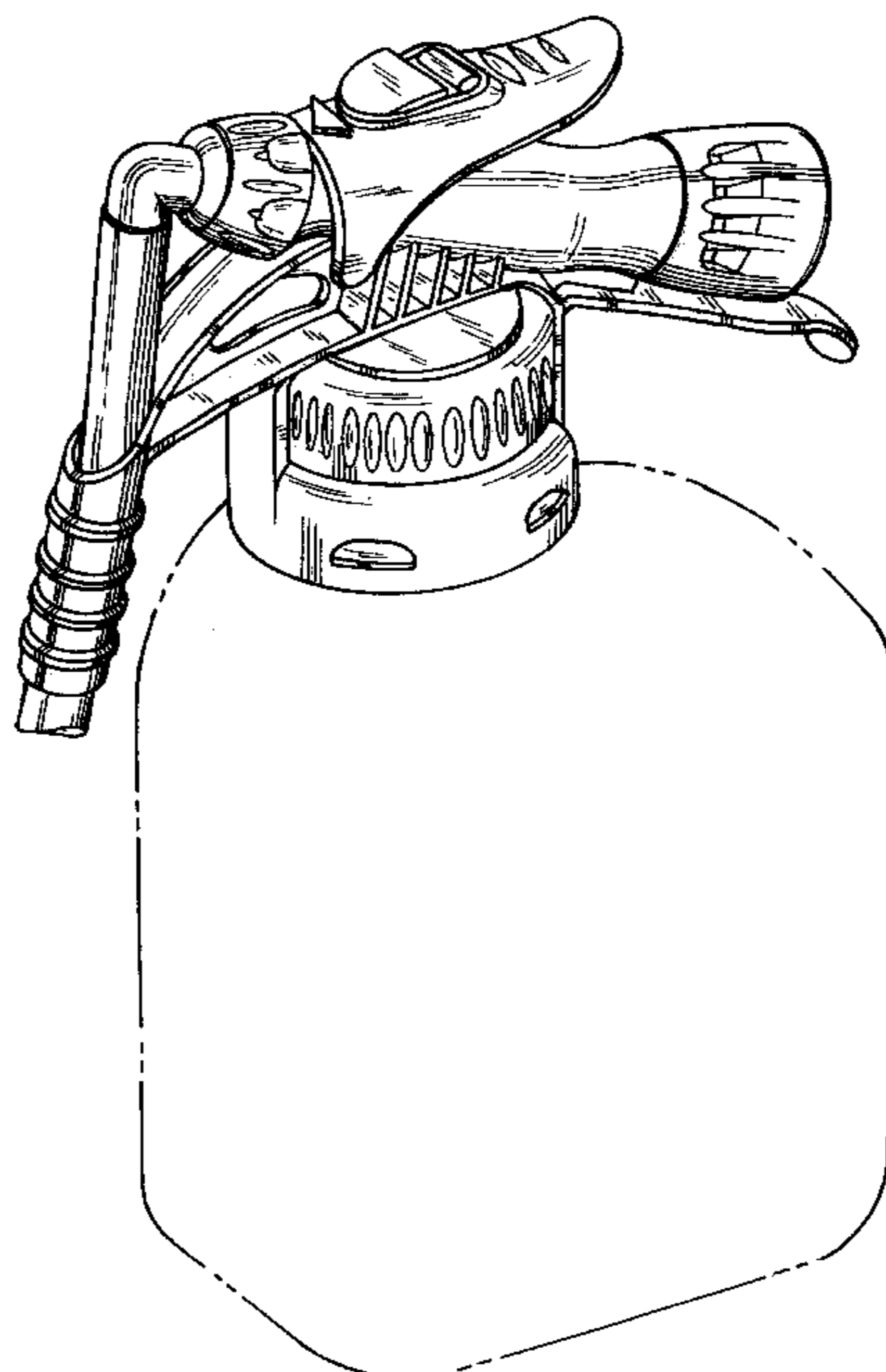
FIG. 3 is a top plan view thereof;

FIG. 4 is a front elevational view thereof; and,

FIG. 5 is a rear elevational view thereof.

The broken line representation of a bottle in FIGS. 1, 2 are for purposes of illustration only and form no part of the claimed design.

**1 Claim, 3 Drawing Sheets**



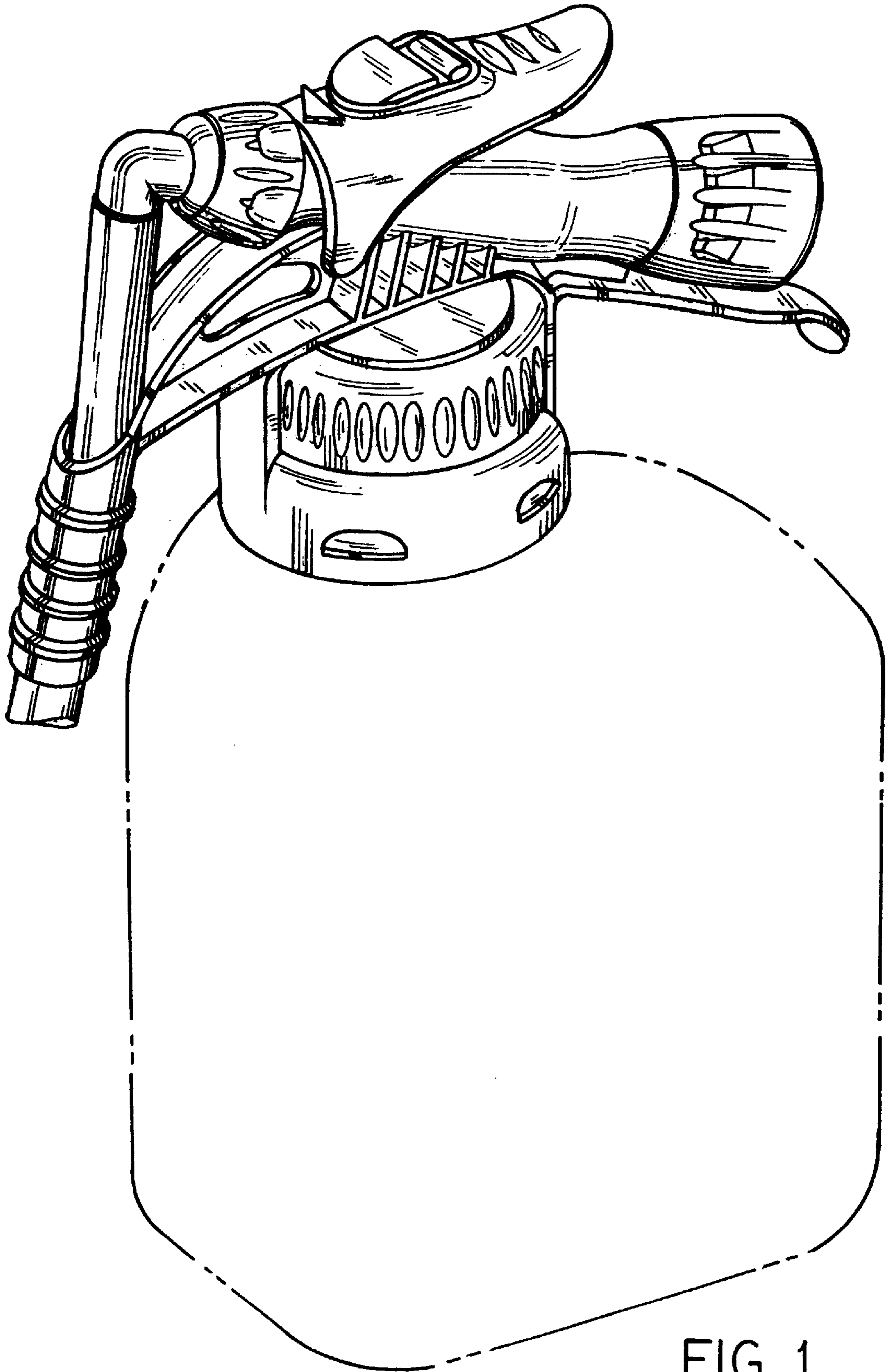


FIG. 1

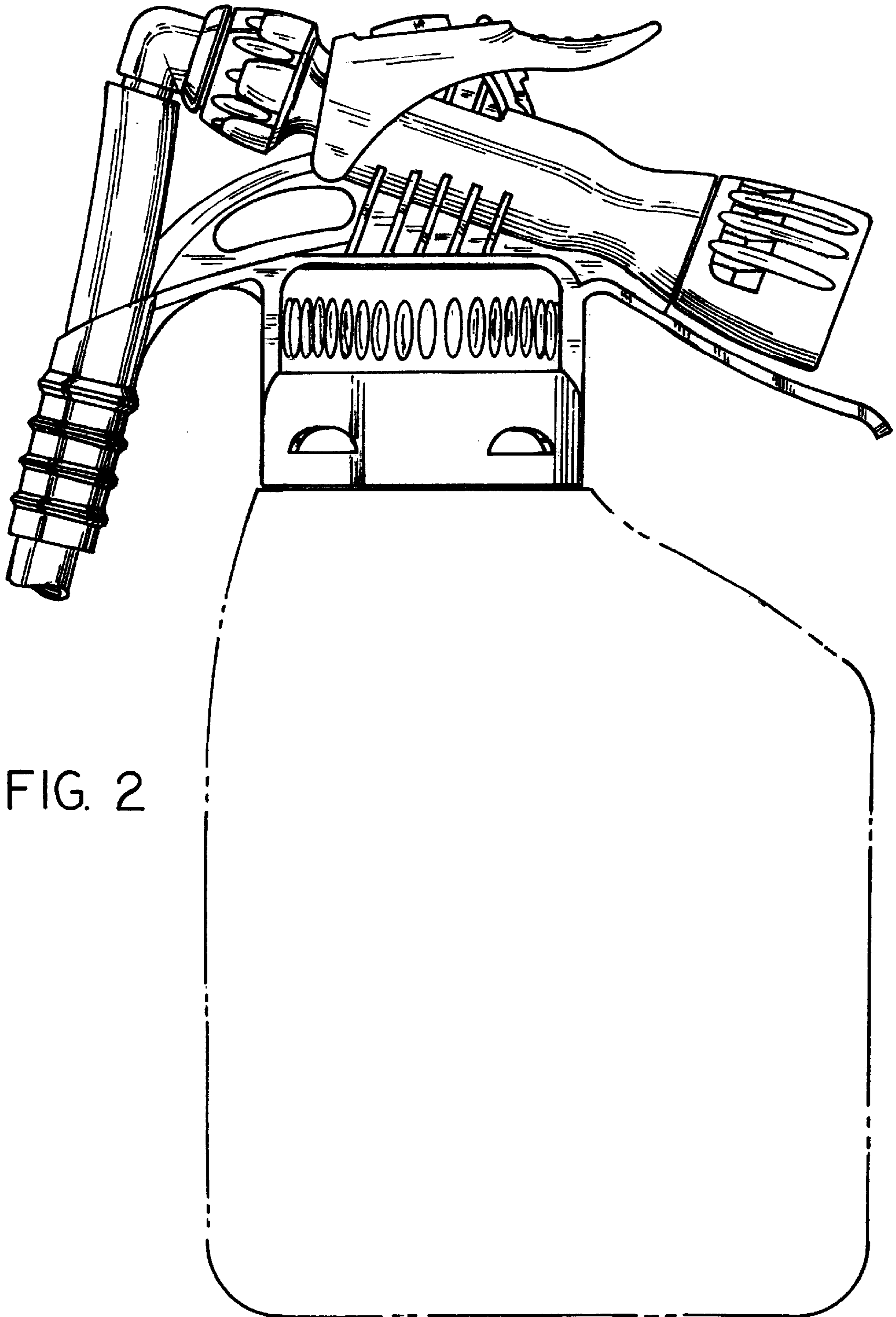


FIG. 2

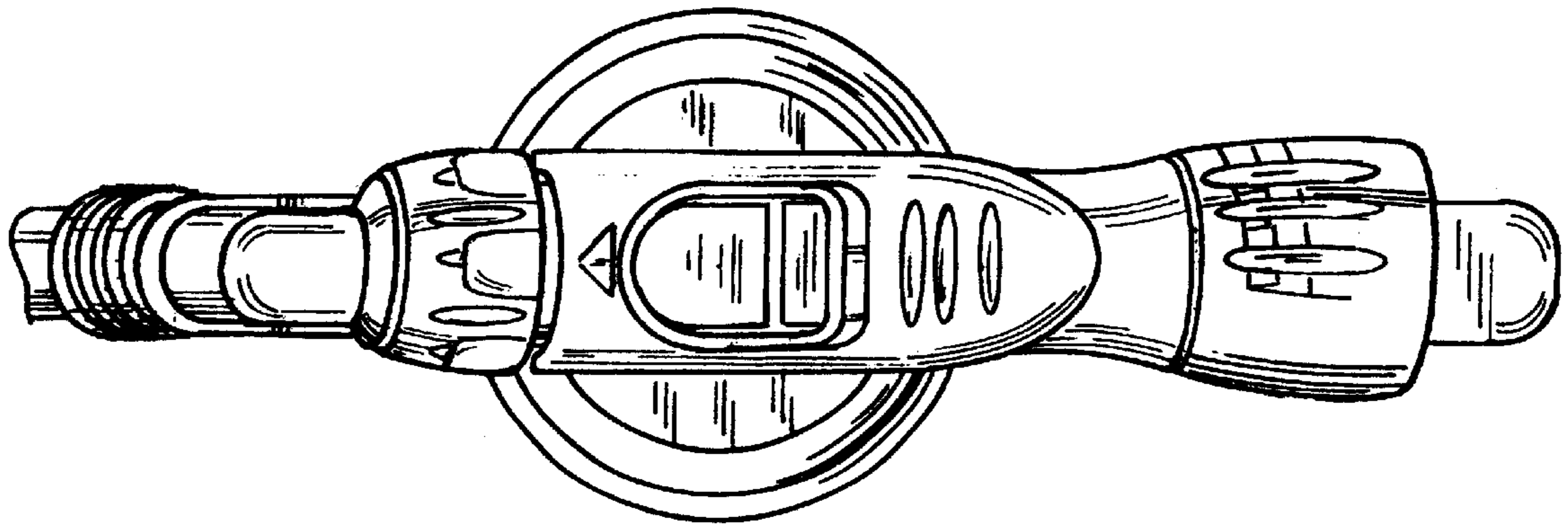


FIG. 3

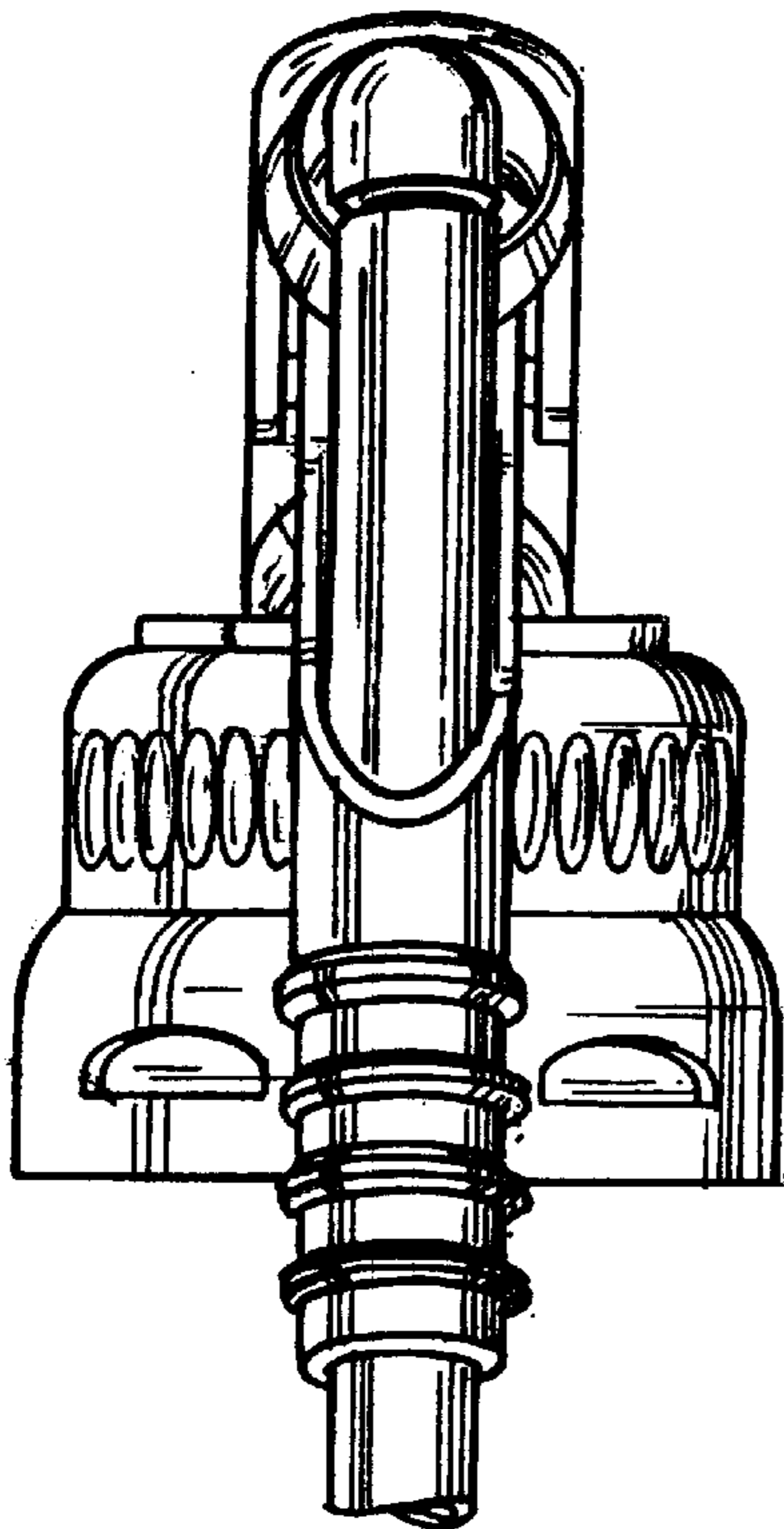


FIG. 4

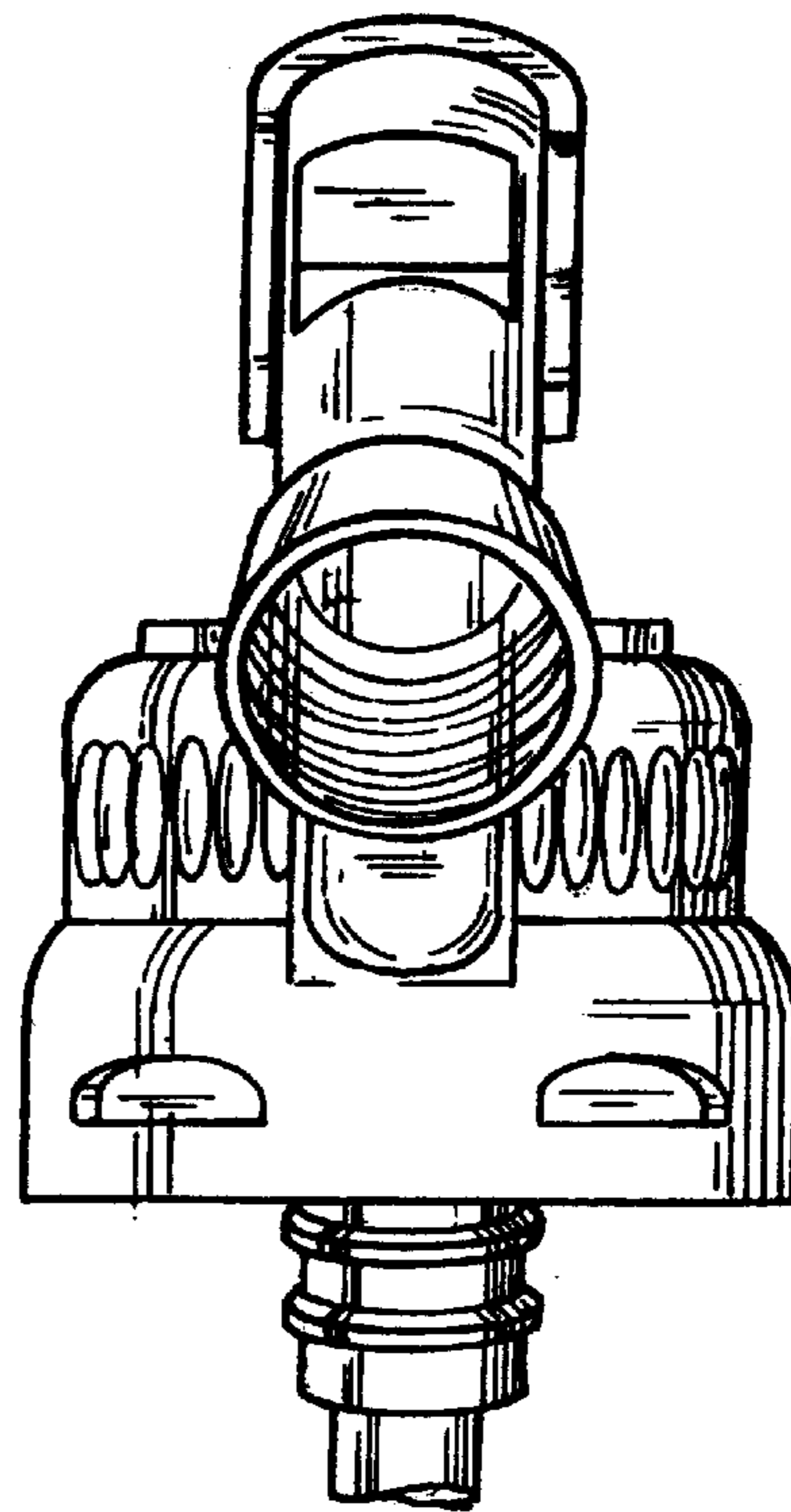


FIG. 5