



US00D468800S

(12) **United States Design Patent**
Tse

(10) **Patent No.:** **US D468,800 S**

(45) **Date of Patent:** **** Jan. 14, 2003**

(54) **SHOWERHEAD**

D414,245 S * 9/1999 Watson D23/215
D452,897 S * 1/2002 Gillette et al. D23/223

(75) Inventor: **Hing Fai Tse**, New Territories (HK)

* cited by examiner

(73) Assignee: **Brand New Technology Ltd.**, Kowloon (HK)

Primary Examiner—Robin V. Taylor

(74) *Attorney, Agent, or Firm*—Leydig, Voit & Mayer, Ltd.

(**) Term: **14 Years**

(57) **CLAIM**

(21) Appl. No.: **29/152,117**

The ornamental design for a showerhead, as shown and described.

(22) Filed: **Dec. 18, 2001**

DESCRIPTION

(51) **LOC (7) Cl.** **23-01**

(52) **U.S. Cl.** **D23/213**

(58) **Field of Search** D23/213, 223,
D23/226, 230, 229; 239/394, 525, 526

FIG. 1 is a front elevational view of a showerhead showing my new design;

FIG. 2 is rear elevational view thereof;

FIG. 3 is a right side elevational view thereof;

FIG. 4 is a left side elevational view thereof;

FIG. 5 is a top plan view thereof; and,

FIG. 6 is a bottom plan view thereof.

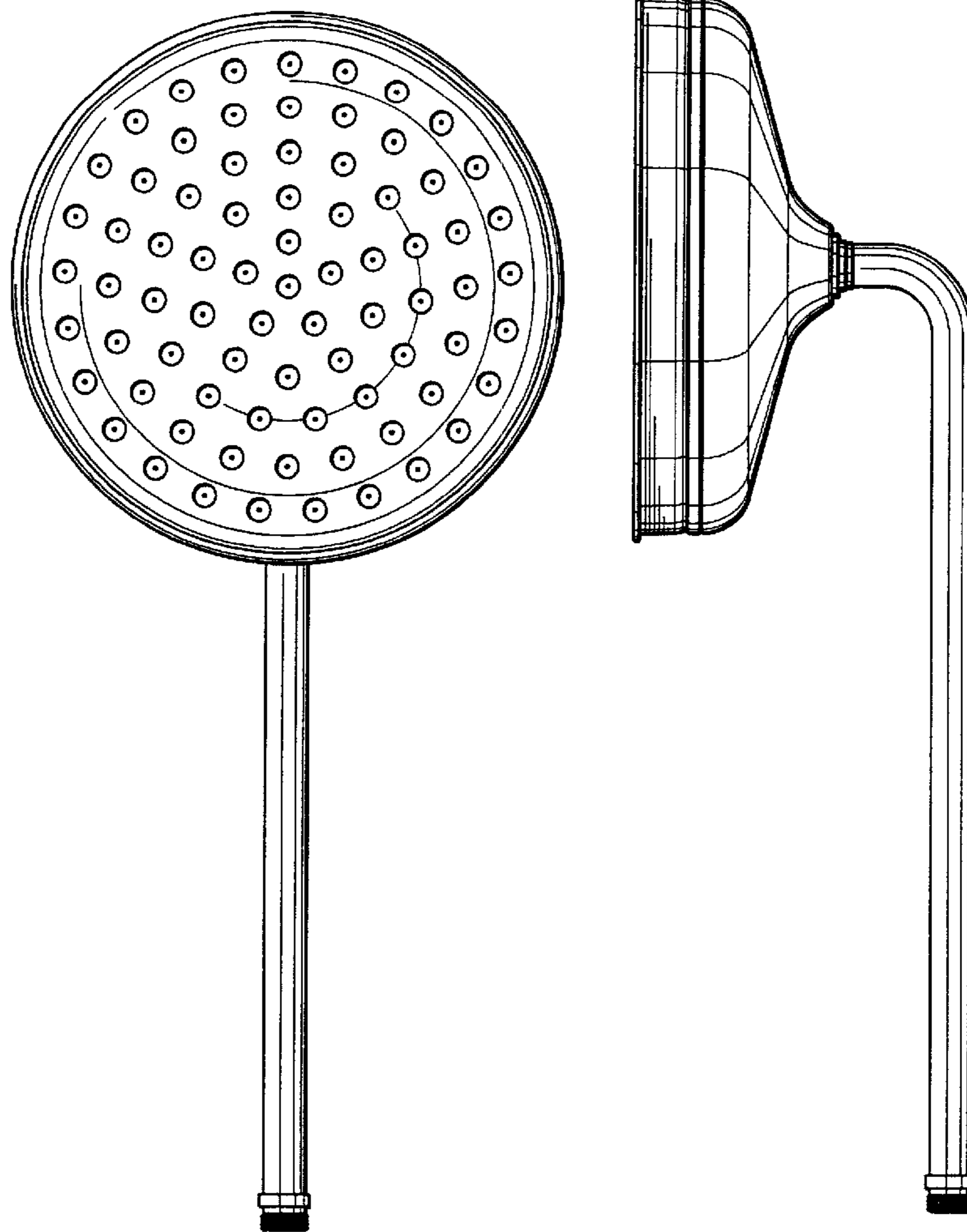
(56) **References Cited**

U.S. PATENT DOCUMENTS

4,413,362 A * 11/1983 Chianco et al. 4/615

D326,311 S * 5/1992 Lenci et al. D23/223

1 Claim, 3 Drawing Sheets



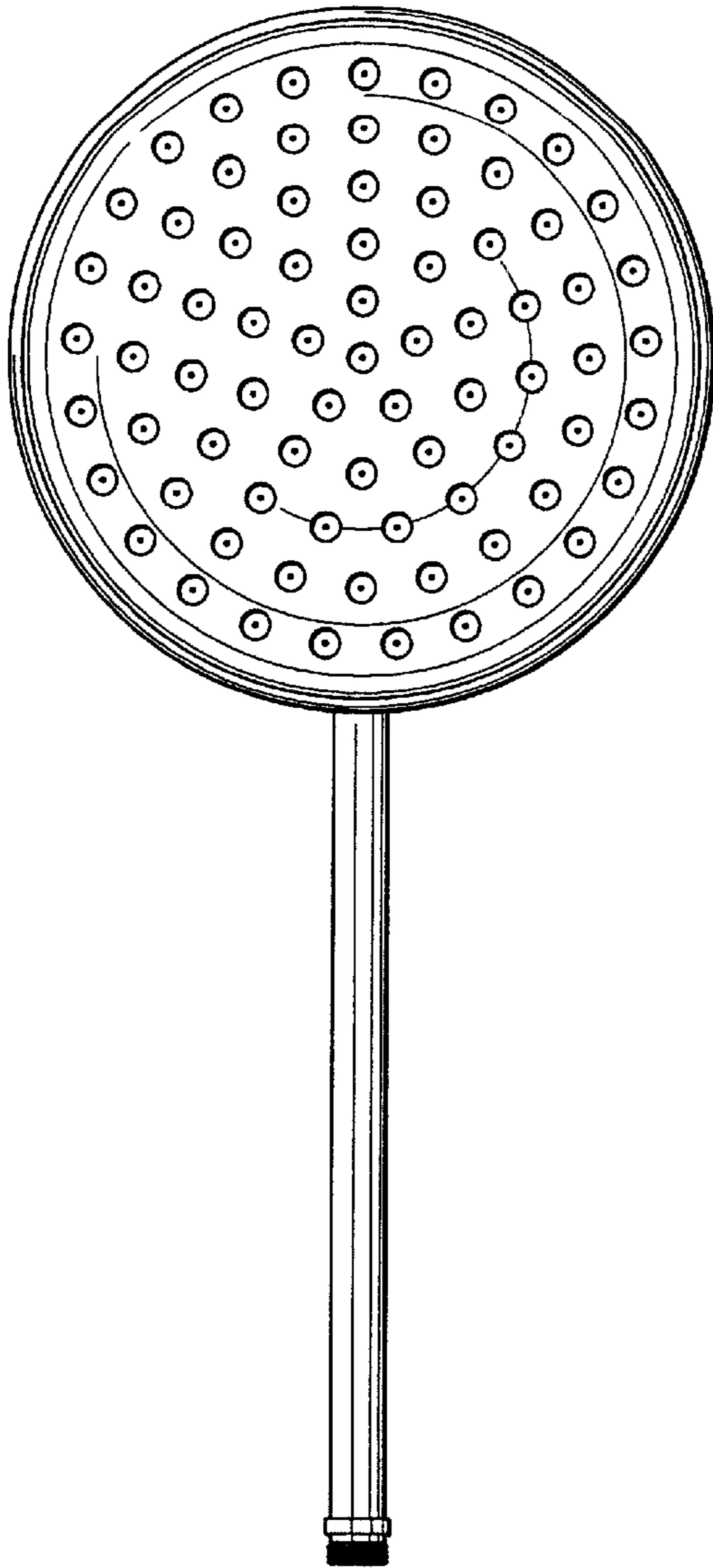


FIG. 1

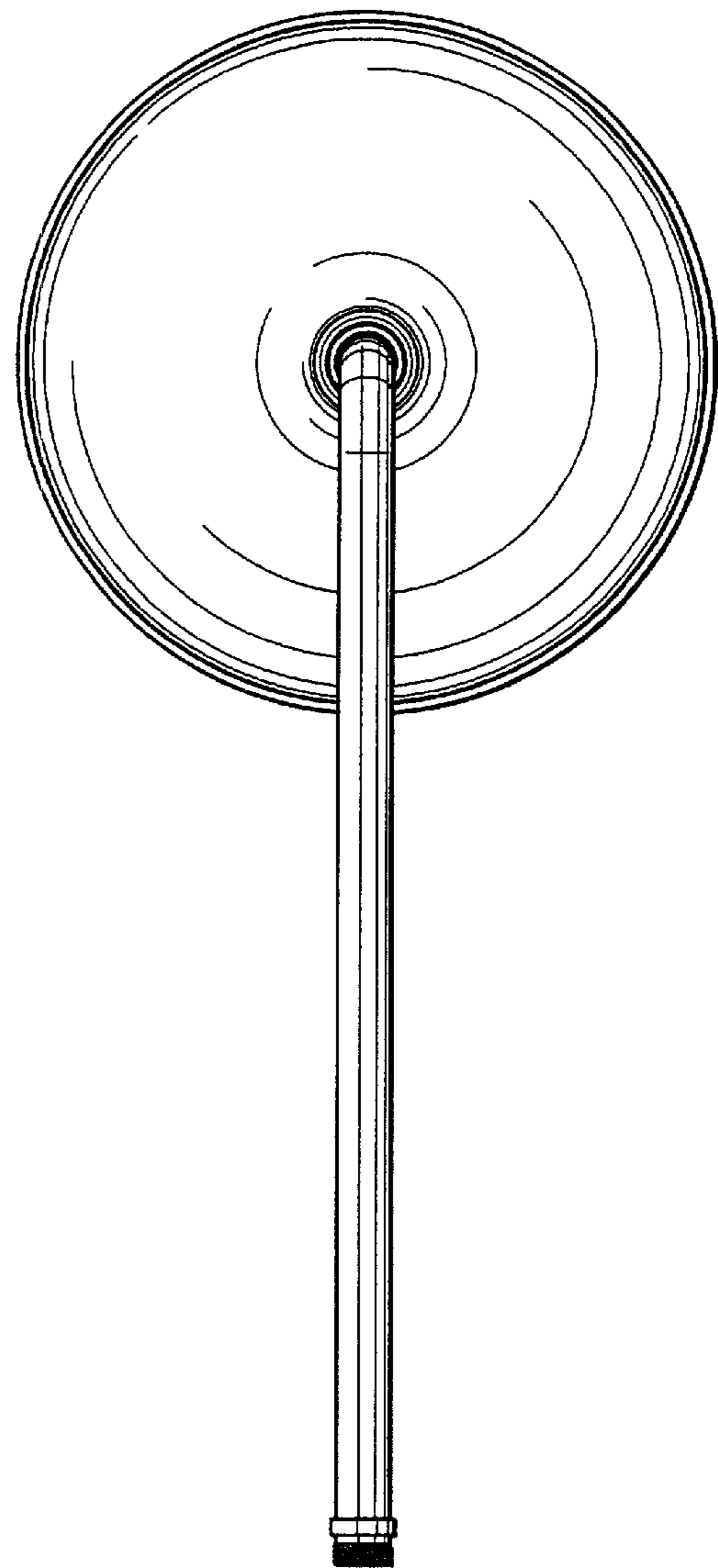


FIG. 2

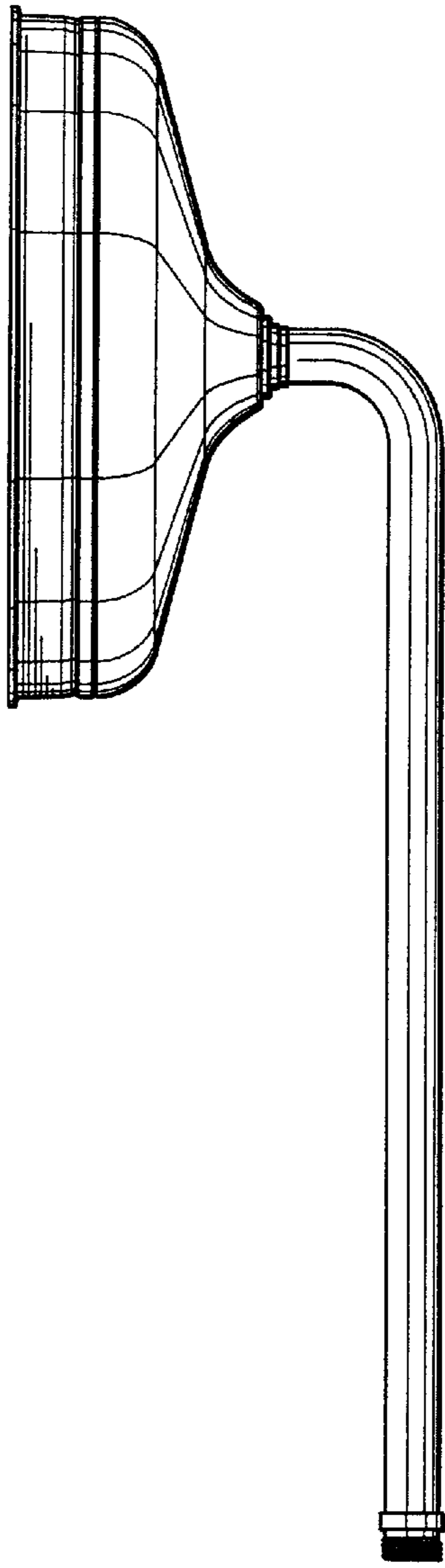


FIG. 3

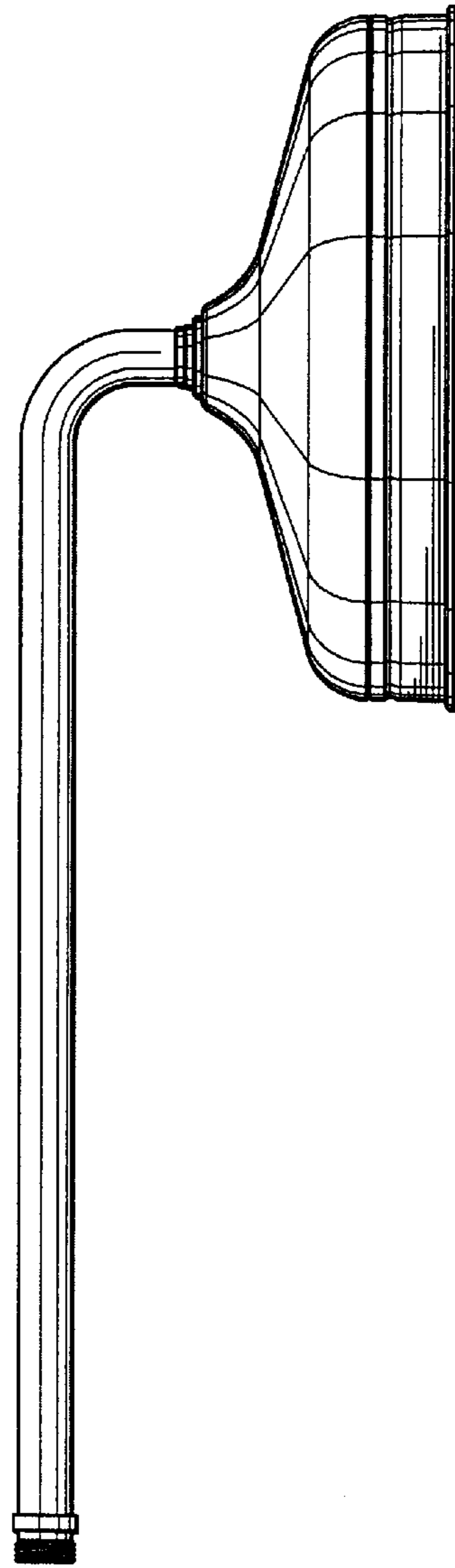


FIG. 4

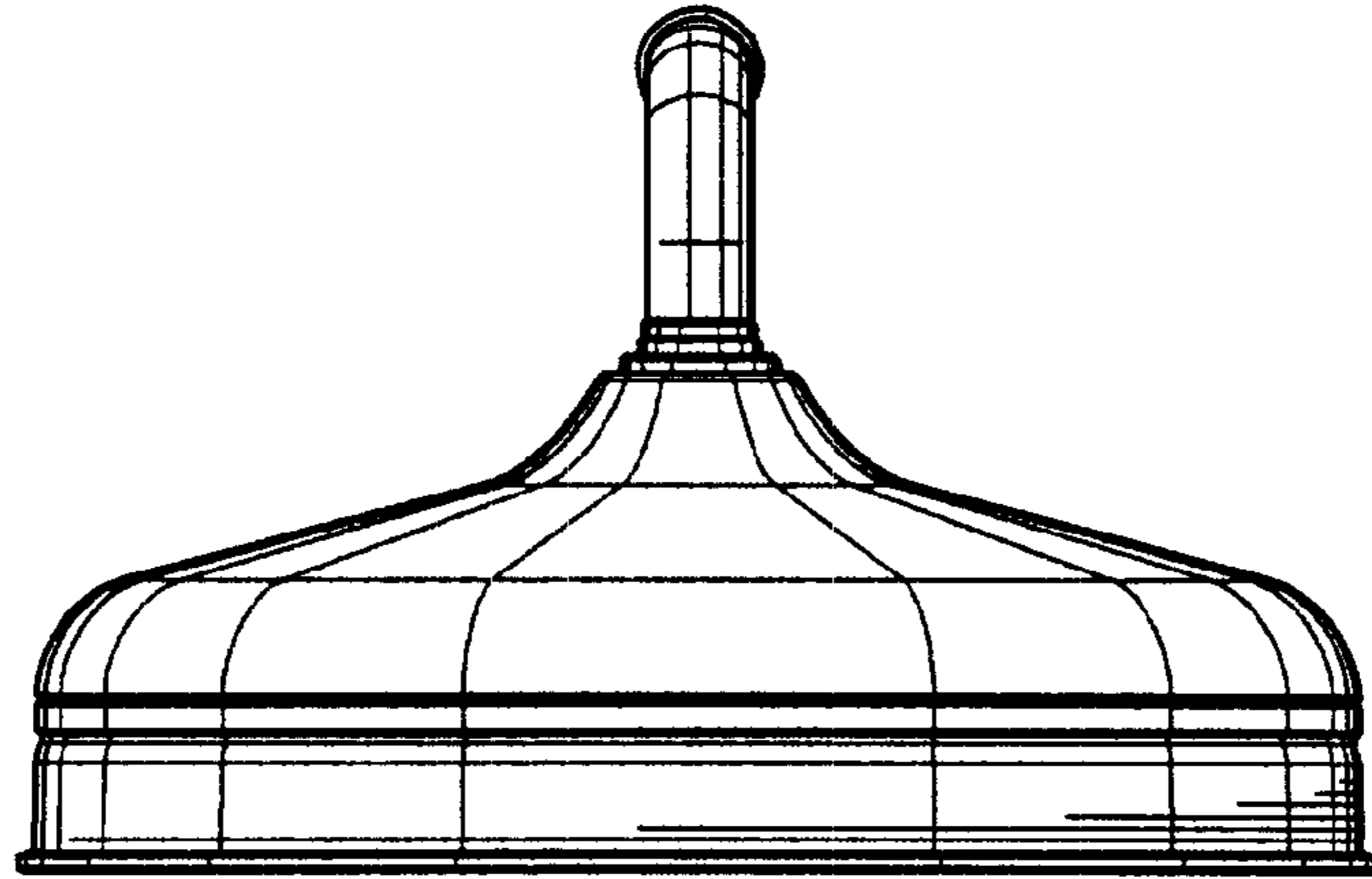


FIG. 5

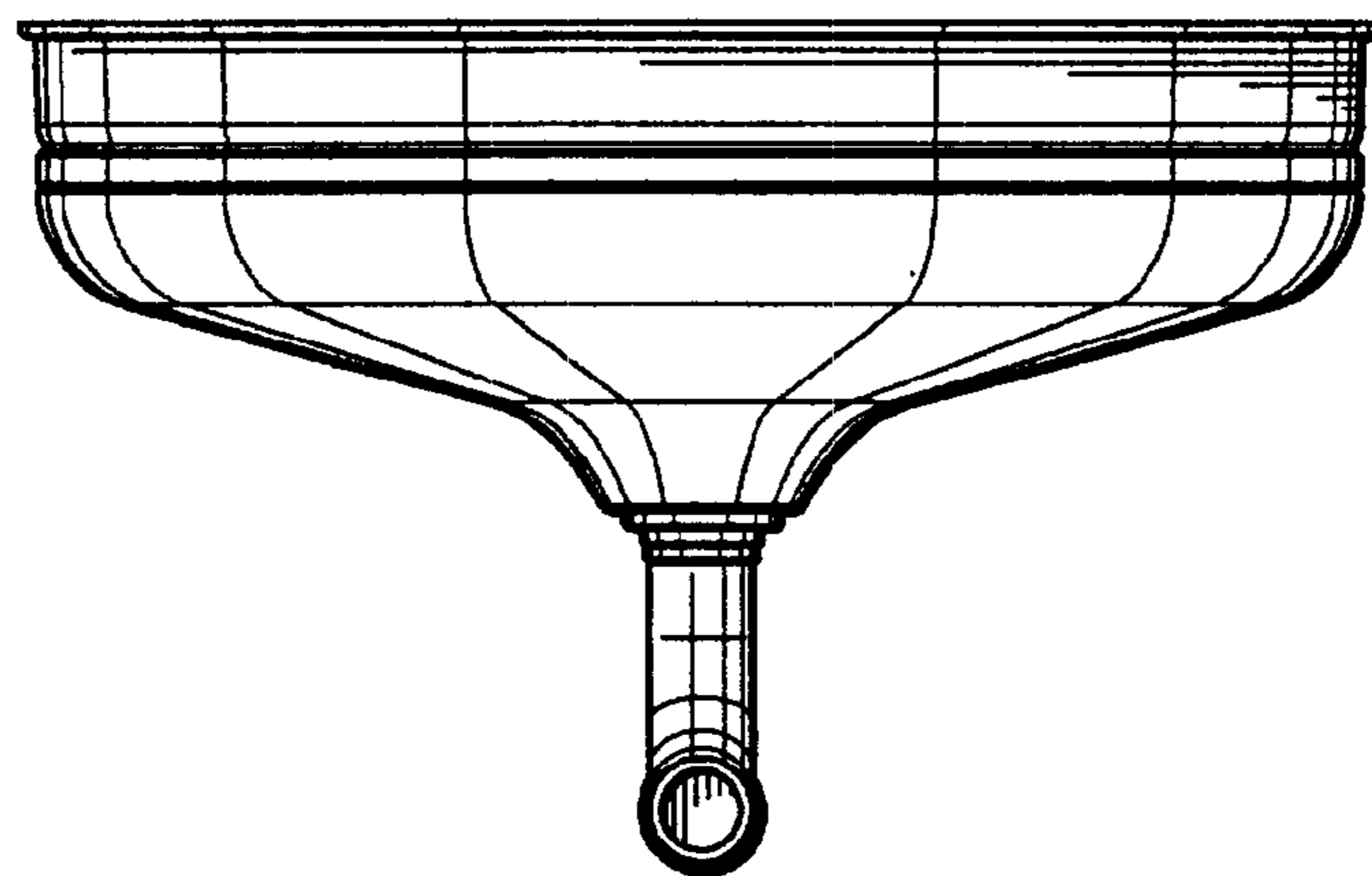


FIG. 6