



US00D468799S

(12) **United States Design Patent**
Kortleven

(10) **Patent No.:** **US D468,799 S**

(45) **Date of Patent:** **** Jan. 14, 2003**

(54) **WATERING CAN**

(75) Inventor: **Hanno Kortleven**, Hofstade (BE)

(73) Assignee: **Dart Industries Inc.**, Orlando, FL (US)

(**) Term: **14 Years**

(21) Appl. No.: **29/157,142**

(22) Filed: **Mar. 13, 2002**

(51) **LOC (7) Cl.** **23-01**

(52) **U.S. Cl.** **D23/212**

(58) **Field of Search** D23/212; 239/375,
239/377, 378; 222/465.1, 470

(56) **References Cited**

U.S. PATENT DOCUMENTS

D401,668 S	11/1998	Kreizel	D23/212
D416,978 S	11/1999	Haley et al.	D23/212
D425,602 S	5/2000	Koziol	D23/212
D447,788 S	* 9/2001	Rosenberg	D23/212

OTHER PUBLICATIONS

Clapper's Garden catalog; item B French Water Cans p. 21.*

* cited by examiner

Primary Examiner—Robin V. Taylor

(74) *Attorney, Agent, or Firm*—Taylor J. Ross

(57) **CLAIM**

The ornamental design for a watering can, as shown and described.

DESCRIPTION

FIG. 1 is a top, side and front perspective view of a watering can showing the new design;

FIG. 2 is a right elevation view thereof;

FIG. 3 is a left elevation view thereof;

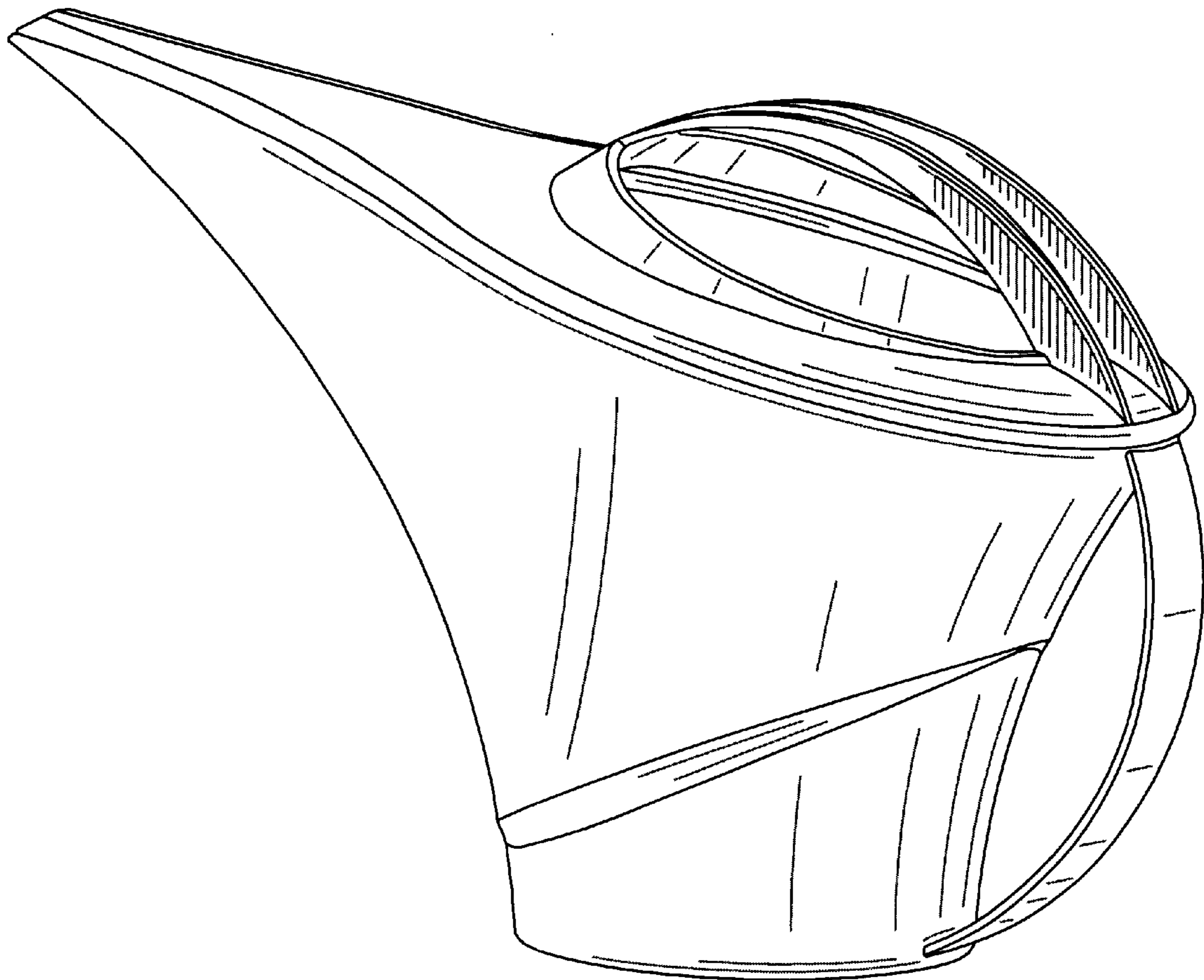
FIG. 4 is a rear side elevation view thereof;

FIG. 5 is a front side elevation view thereof;

FIG. 6 is a top plan view thereof; and,

FIG. 7 is a bottom plan view thereof.

1 Claim, 3 Drawing Sheets



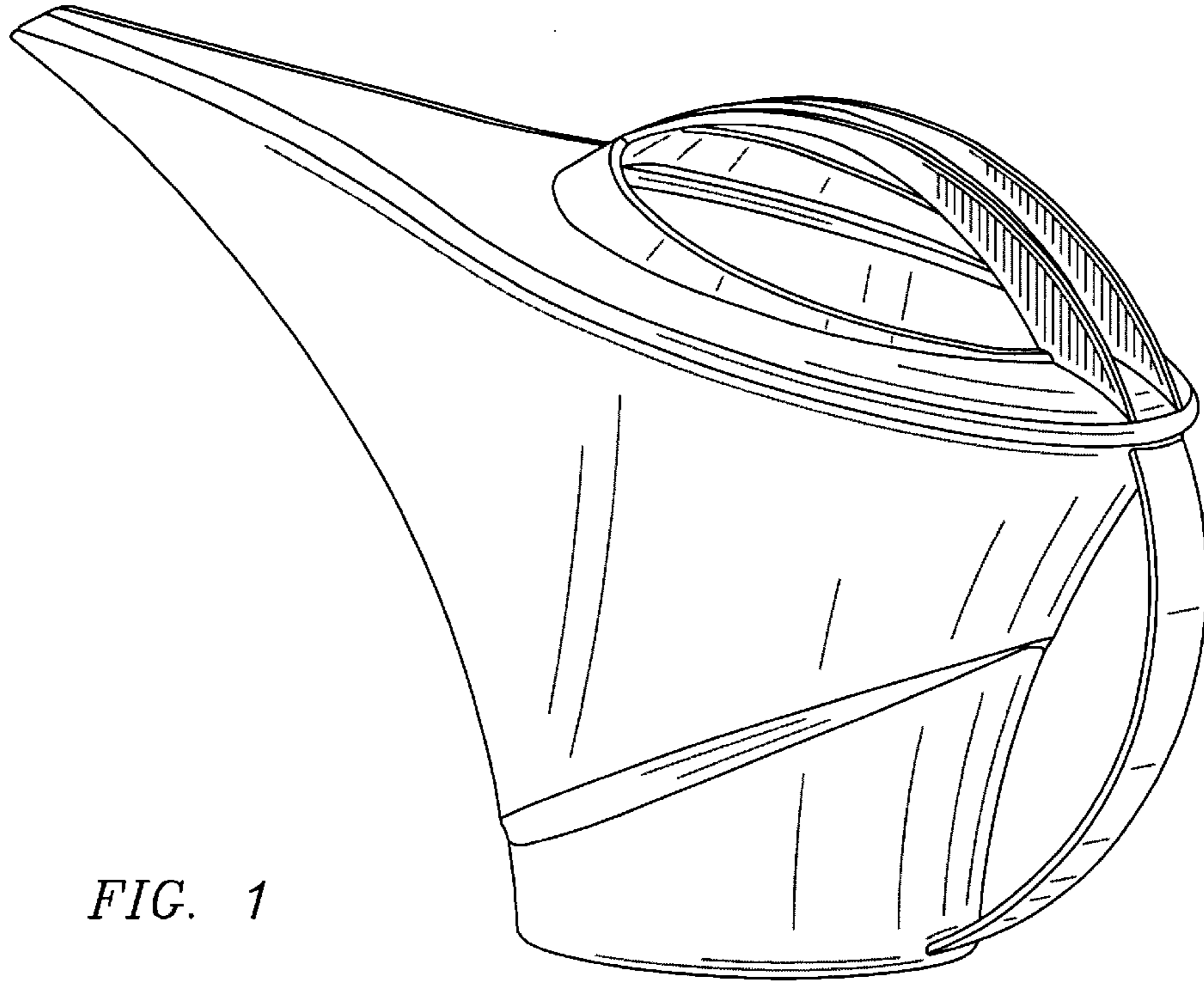


FIG. 1

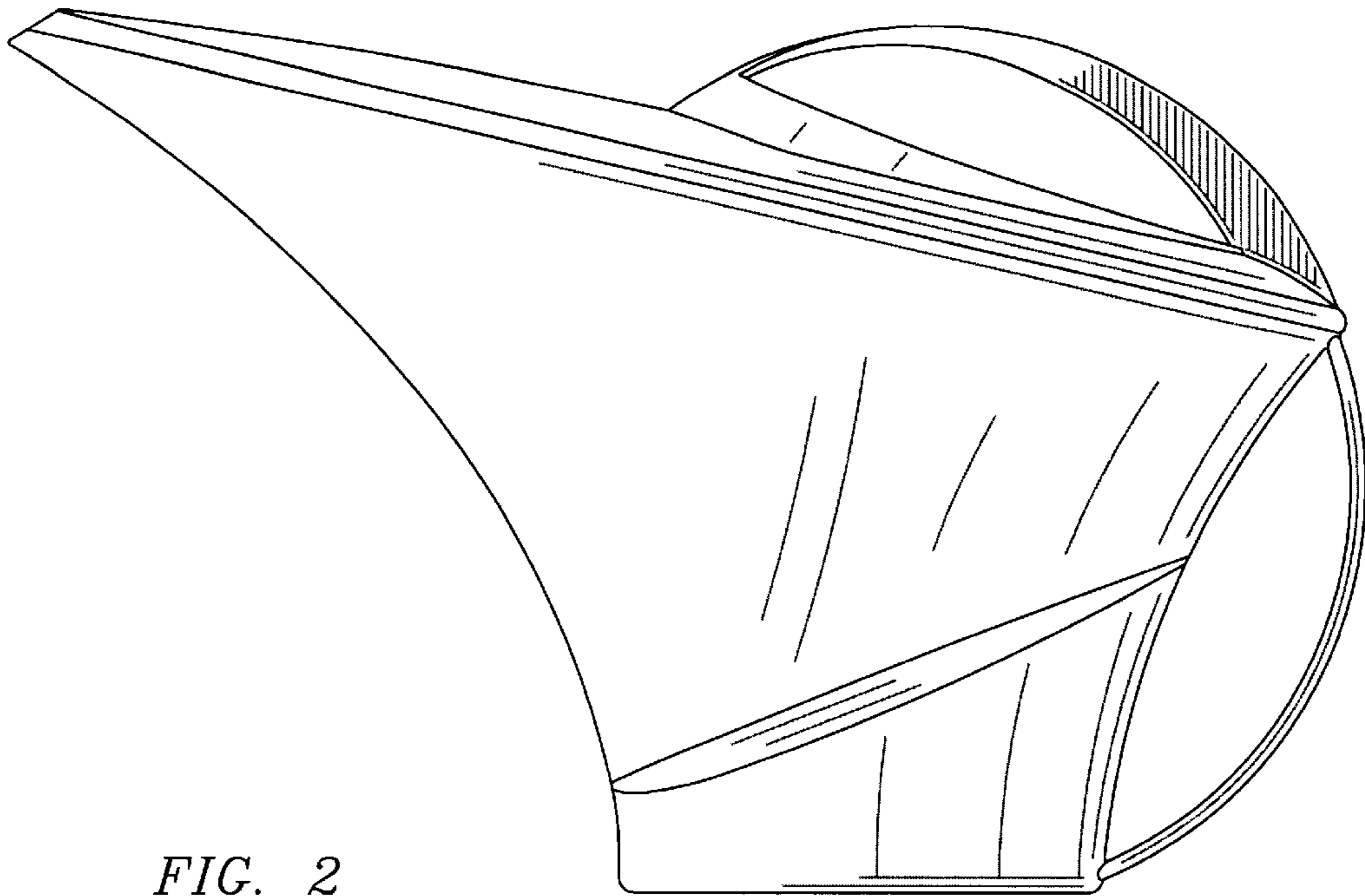


FIG. 2

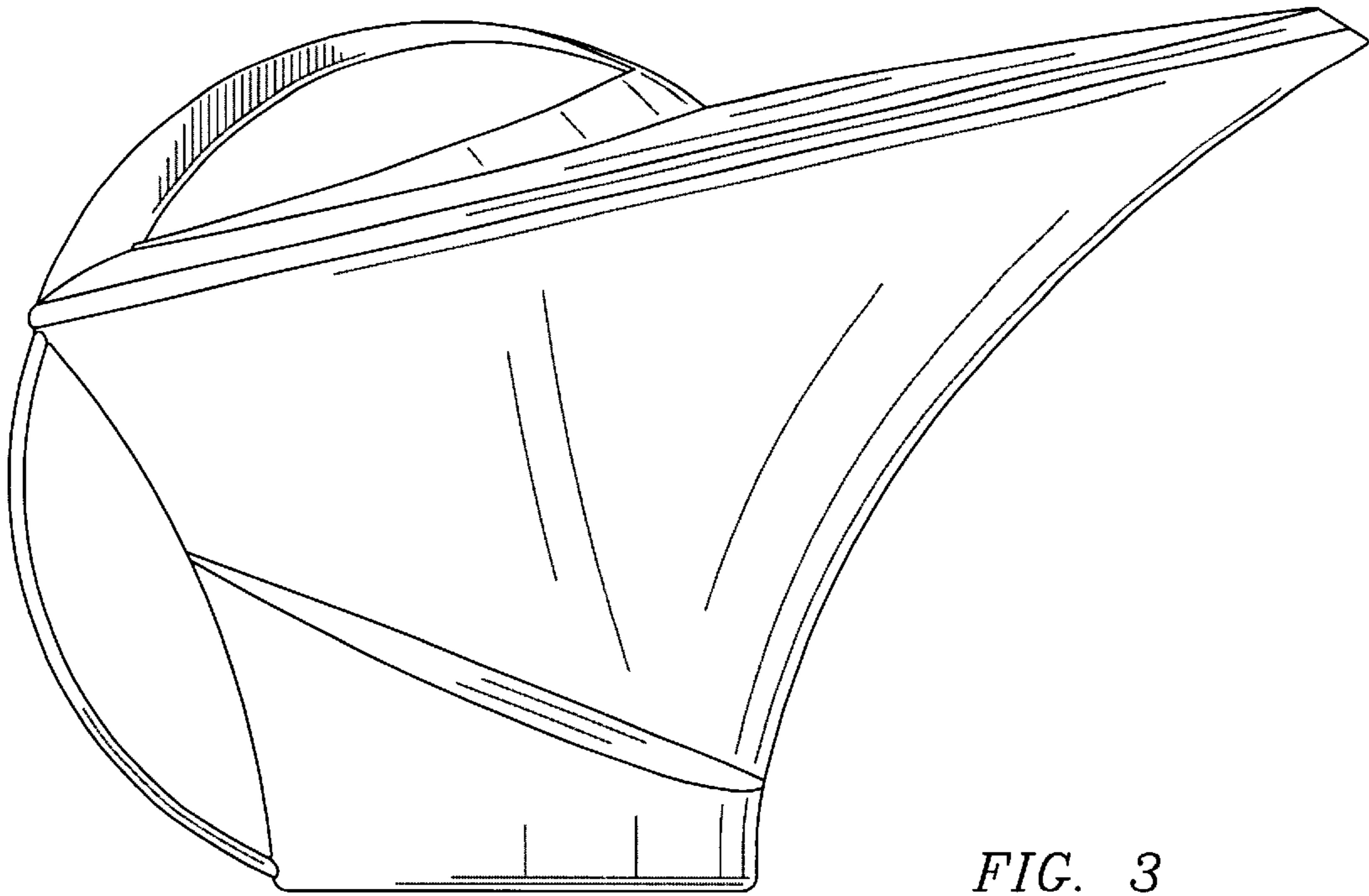


FIG. 3

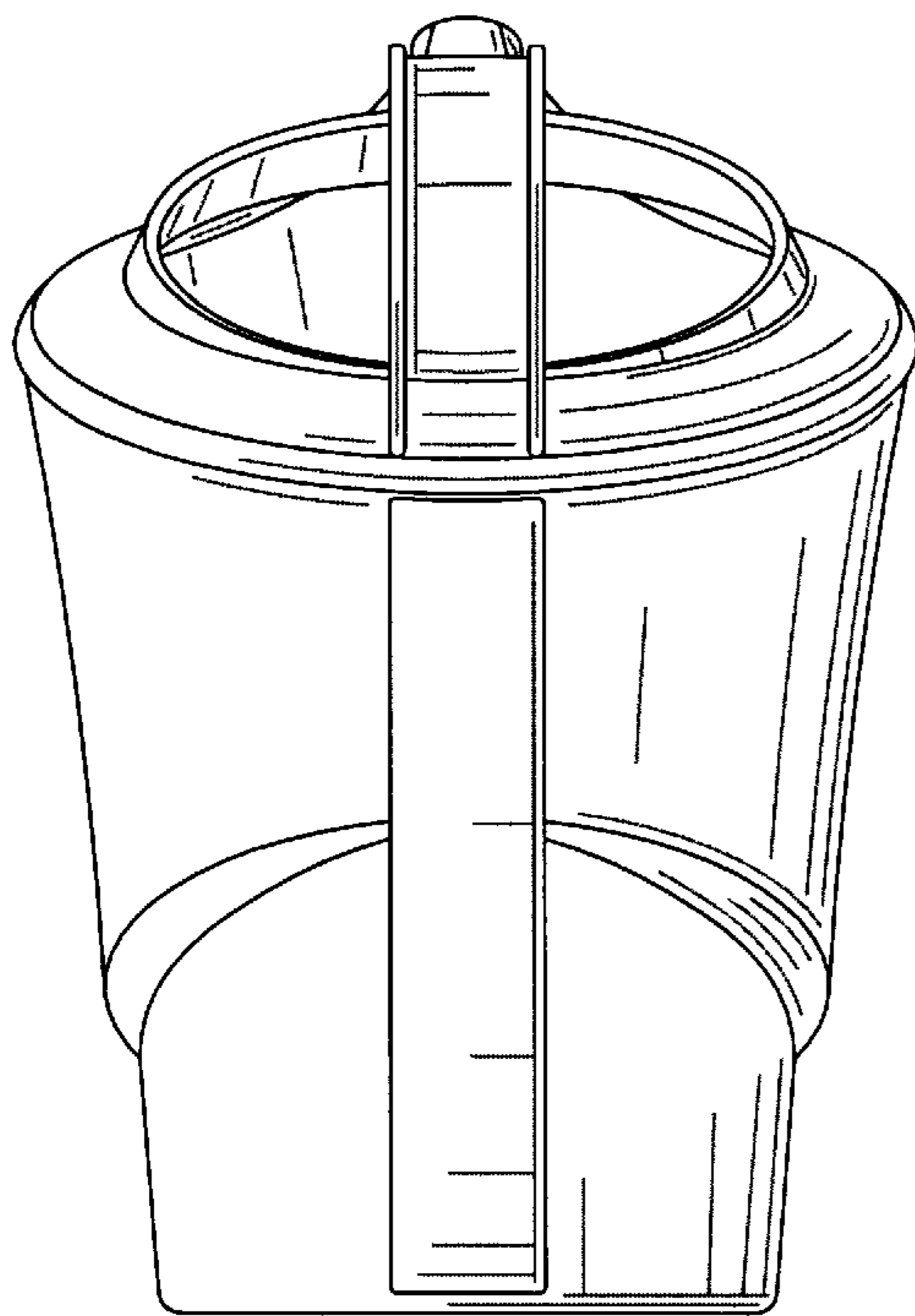


FIG. 4

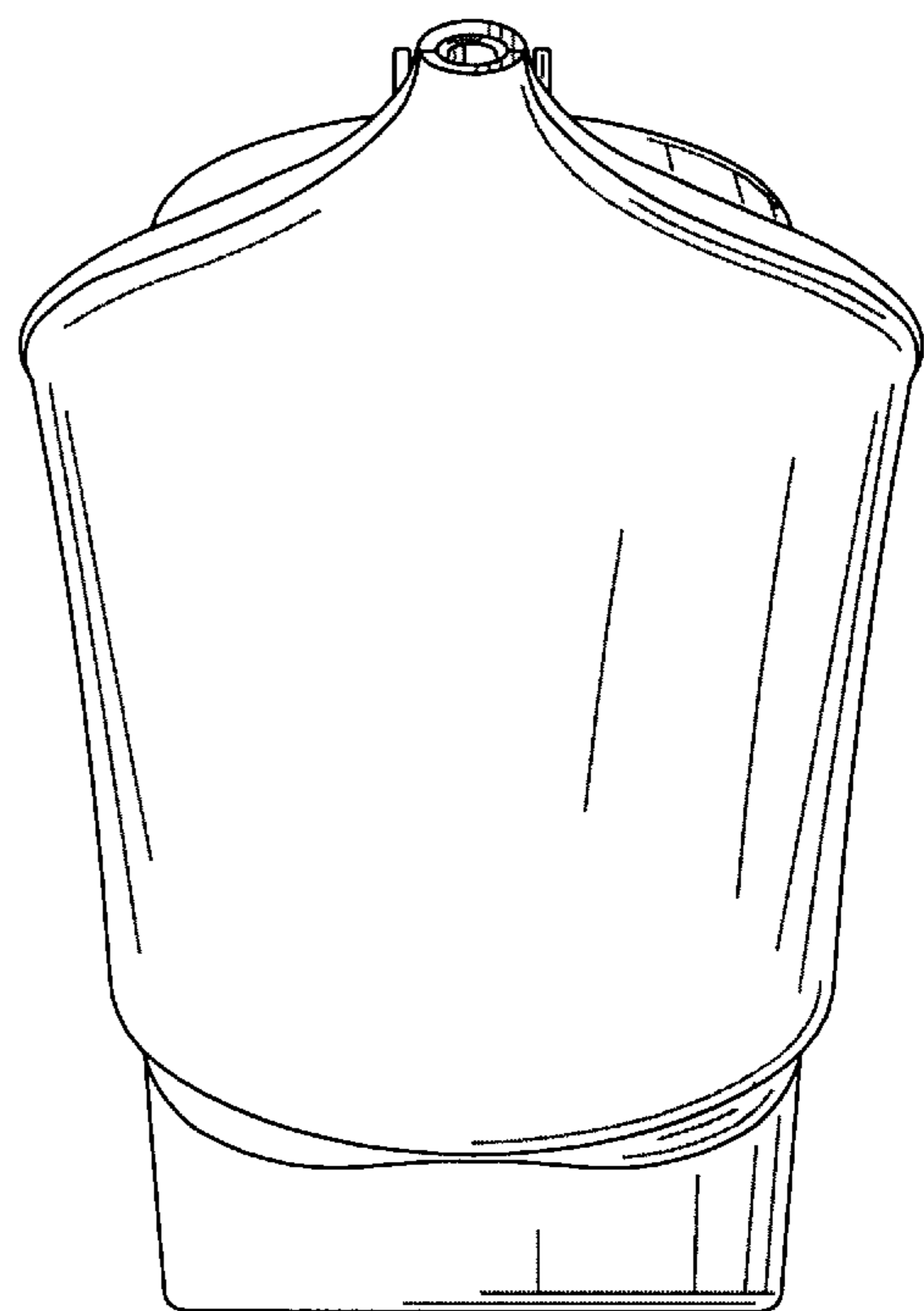


FIG. 5

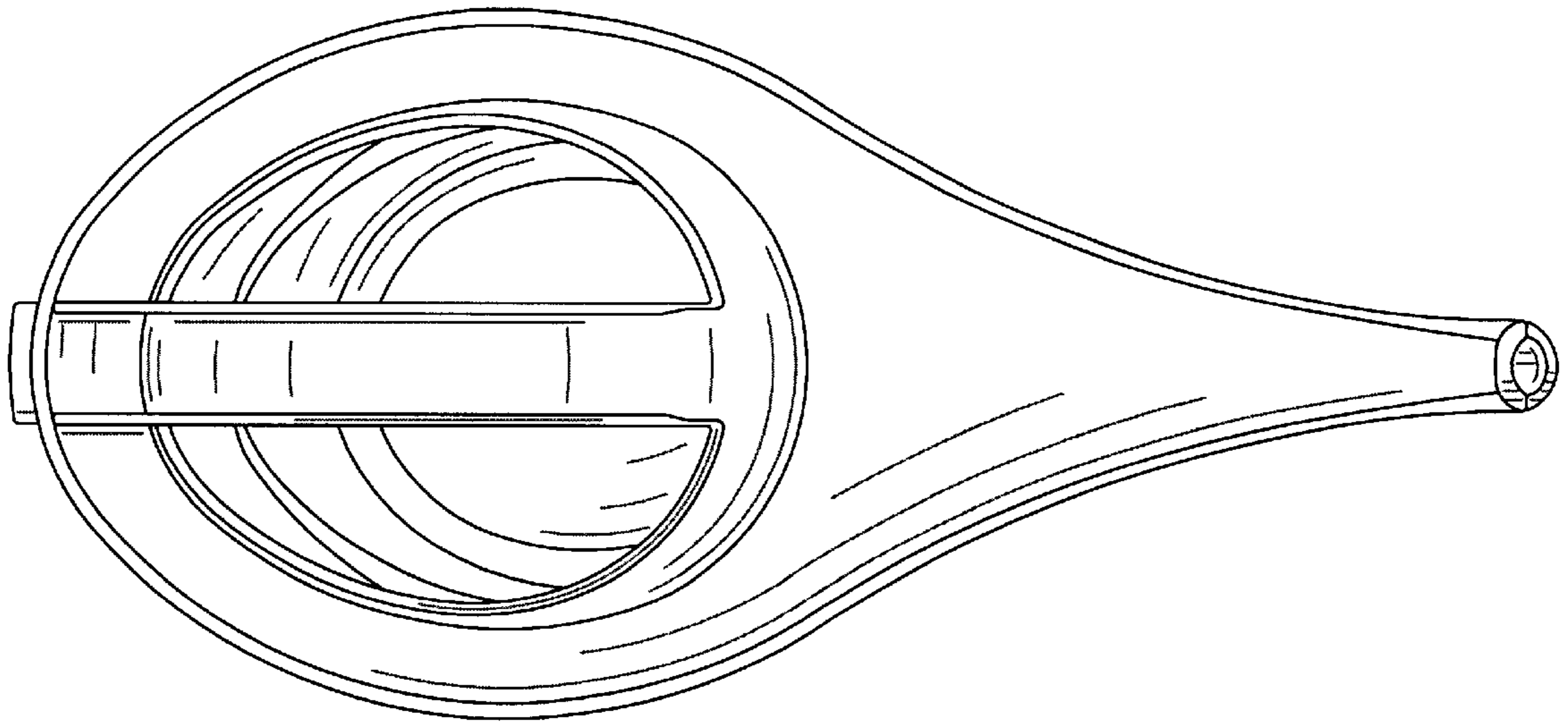


FIG. 6

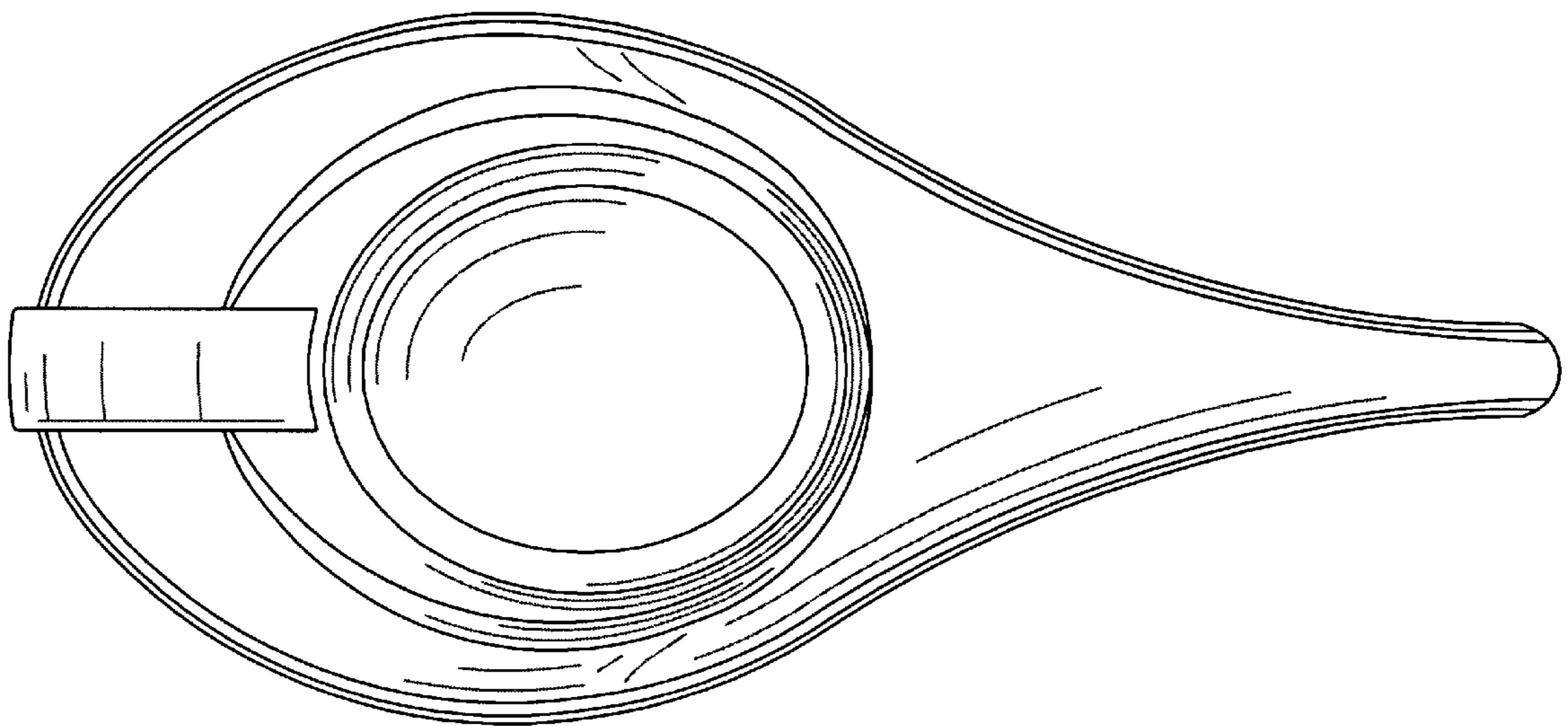


FIG. 7

UNITED STATES PATENT AND TRADEMARK OFFICE
CERTIFICATE OF CORRECTION

PATENT NO. : Des. 468,799 S
DATED : February 17, 2004
INVENTOR(S) : Orrin J. Shively et al.

Page 1 of 1

It is certified that error appears in the above-identified patent and that said Letters Patent is hereby corrected as shown below:

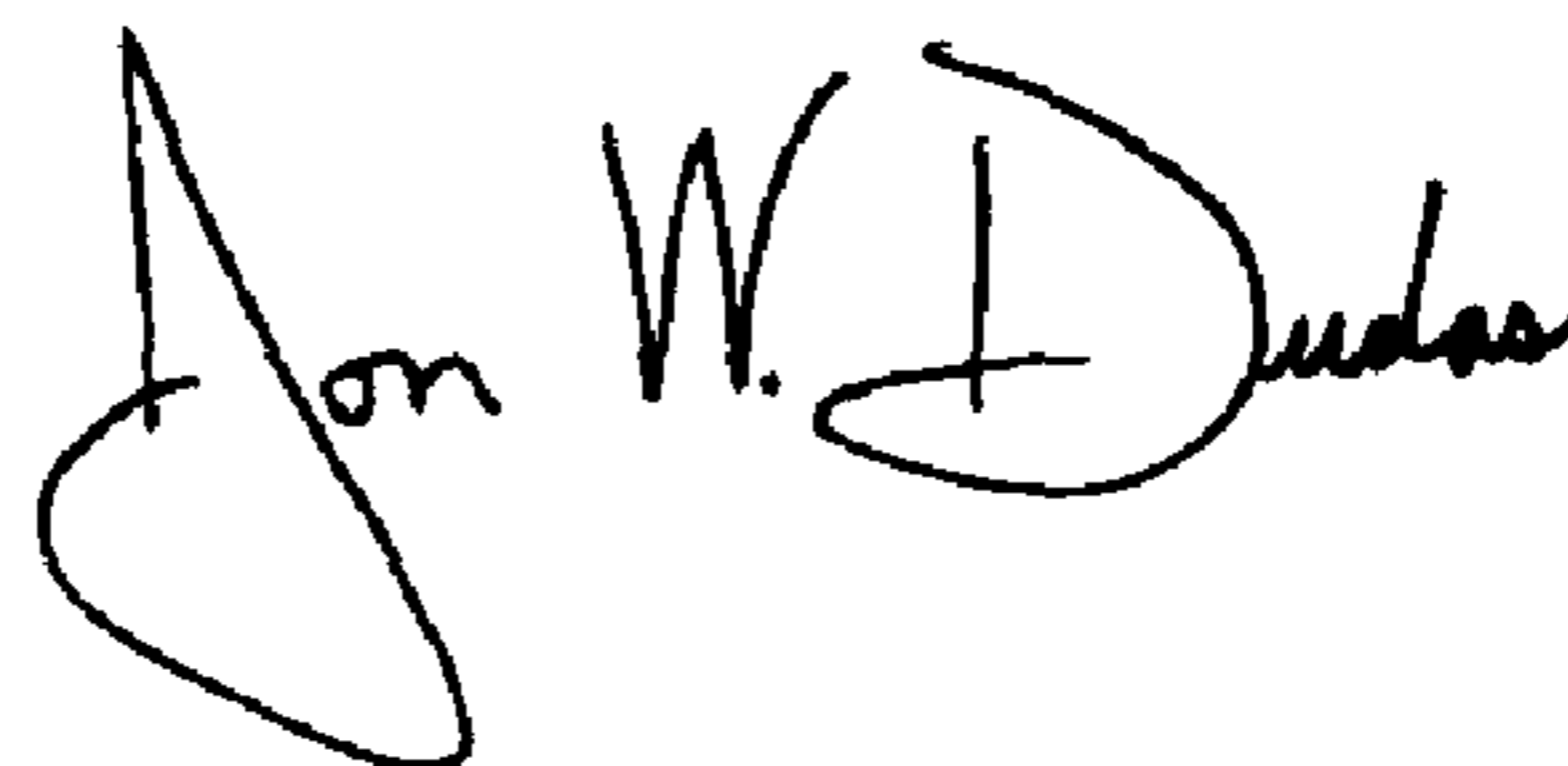
Title page.

Item [12], change "**Shivey et al.**" to -- **Shively et al.** --

Item [75], Inventors, change "**Orrin Shivey**" to -- **Orrin Shively** --

Signed and Sealed this

Twenty-second Day of June, 2004

A handwritten signature in black ink that reads "Jon W. Dudas". The signature is written in a cursive style with a large, stylized initial "J".

JON W. DUDAS

Acting Director of the United States Patent and Trademark Office

UNITED STATES PATENT AND TRADEMARK OFFICE
CERTIFICATE OF CORRECTION

PATENT NO. : Des. 468,799 S
DATED : February 17, 2004
INVENTOR(S) : Shively, Orrin J. et al.

Page 1 of 1

It is certified that error appears in the above-identified patent and that said Letters Patent is hereby corrected as shown below:

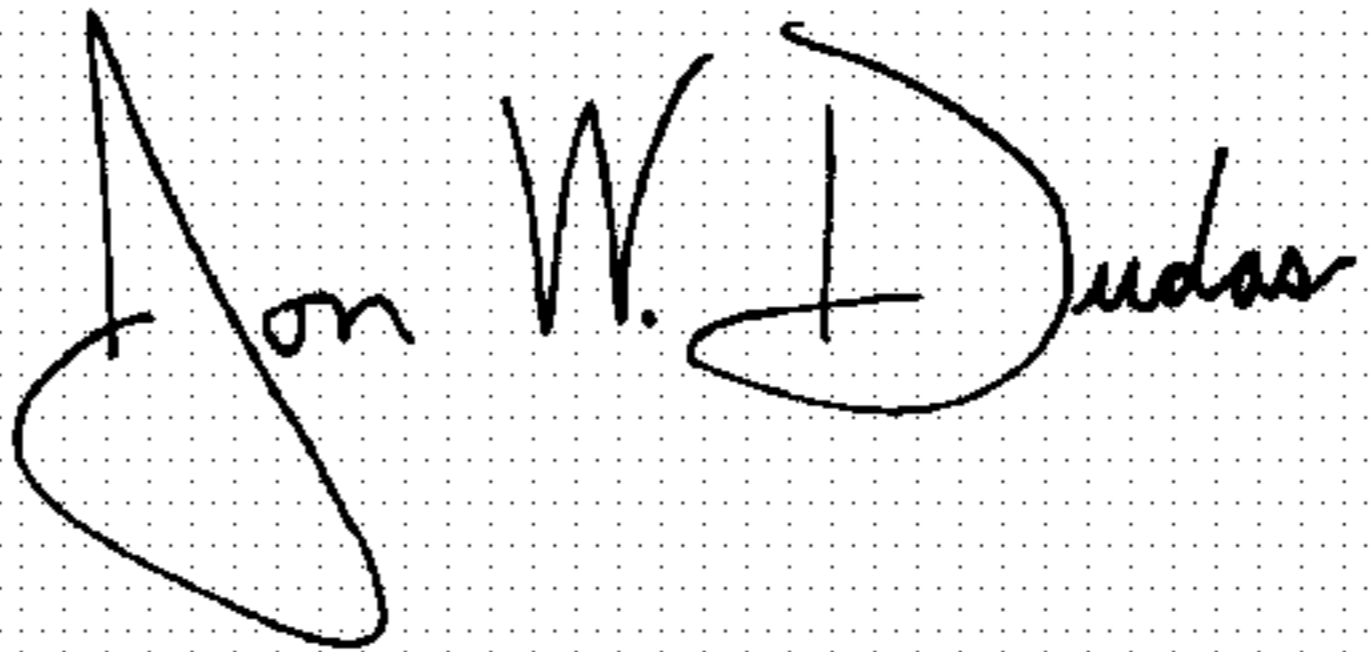
Title page.

Item [12], change "**Shivey et al.**" to -- **Shively et al.** --

Item [75], Inventors, change "**Orrin Shivey**" to -- **Orrin Shively** --

Signed and Sealed this

Third Day of August, 2004

A handwritten signature in black ink on a dotted background. The signature reads "Jon W. Dudas" in a cursive style.

JON W. DUDAS

Acting Director of the United States Patent and Trademark Office

UNITED STATES PATENT AND TRADEMARK OFFICE
CERTIFICATE OF CORRECTION

PATENT NO. : Des. 468,799 S
DATED : February 17, 2004
INVENTOR(S) : Shively, Orrin J. et al.

Page 1 of 1

It is certified that error appears in the above-identified patent and that said Letters Patent is hereby corrected as shown below:

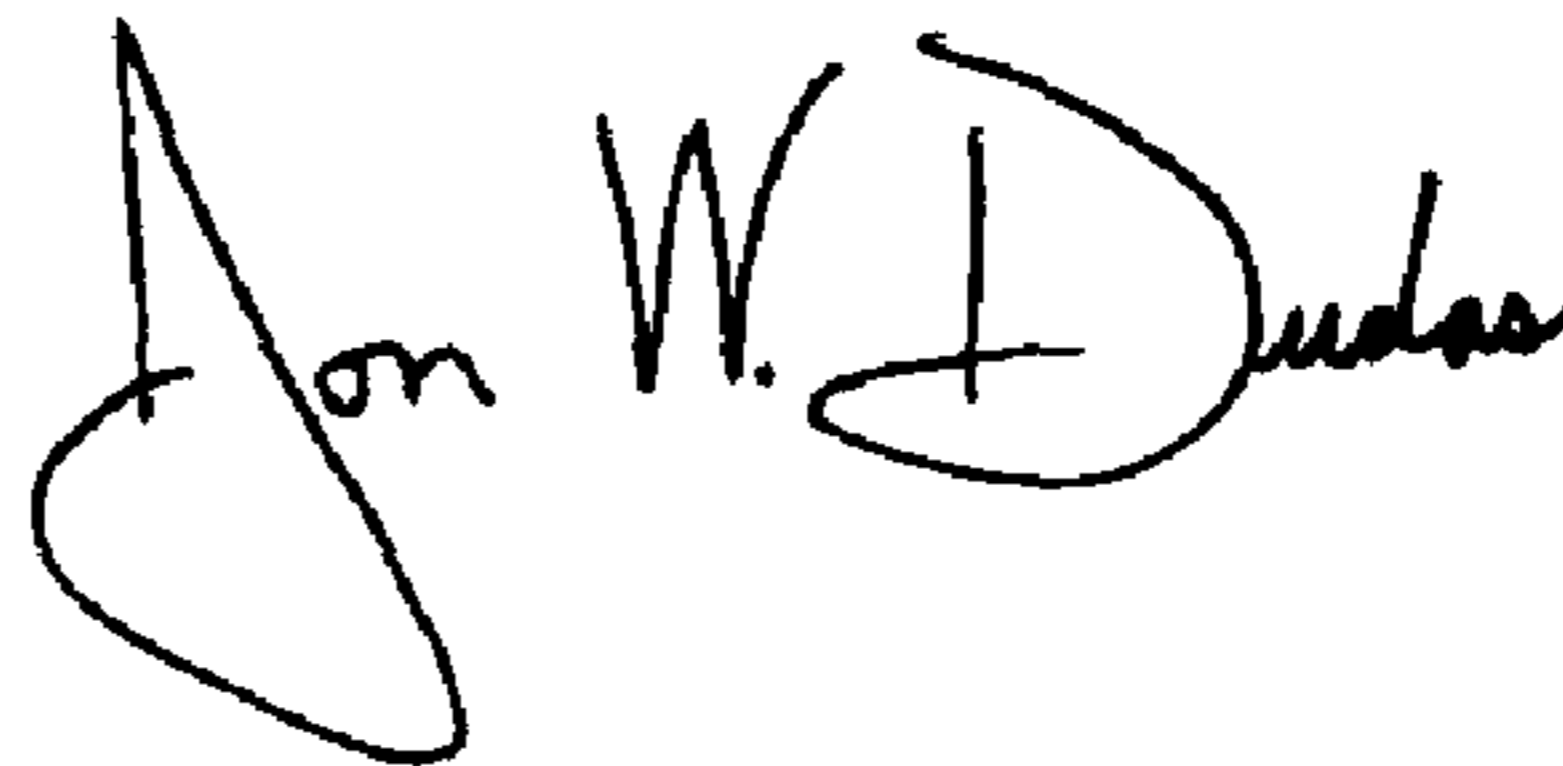
Title page.

Item [12], change "**Shivey et al.**" to -- **Shively et al.** --

Item [75], Inventors, change "**Orrin Shivey**" to -- **Orrin Shively** --

Signed and Sealed this

Third Day of May, 2005

A handwritten signature in black ink that reads "Jon W. Dudas". The signature is written in a cursive style with a large, looped initial "J" and a distinct "D" at the end.

JON W. DUDAS

Director of the United States Patent and Trademark Office

UNITED STATES PATENT AND TRADEMARK OFFICE
CERTIFICATE OF CORRECTION

PATENT NO. : Des. 468,799 S
DATED : January 14, 2003
INVENTOR(S) : Hanno Kortleven

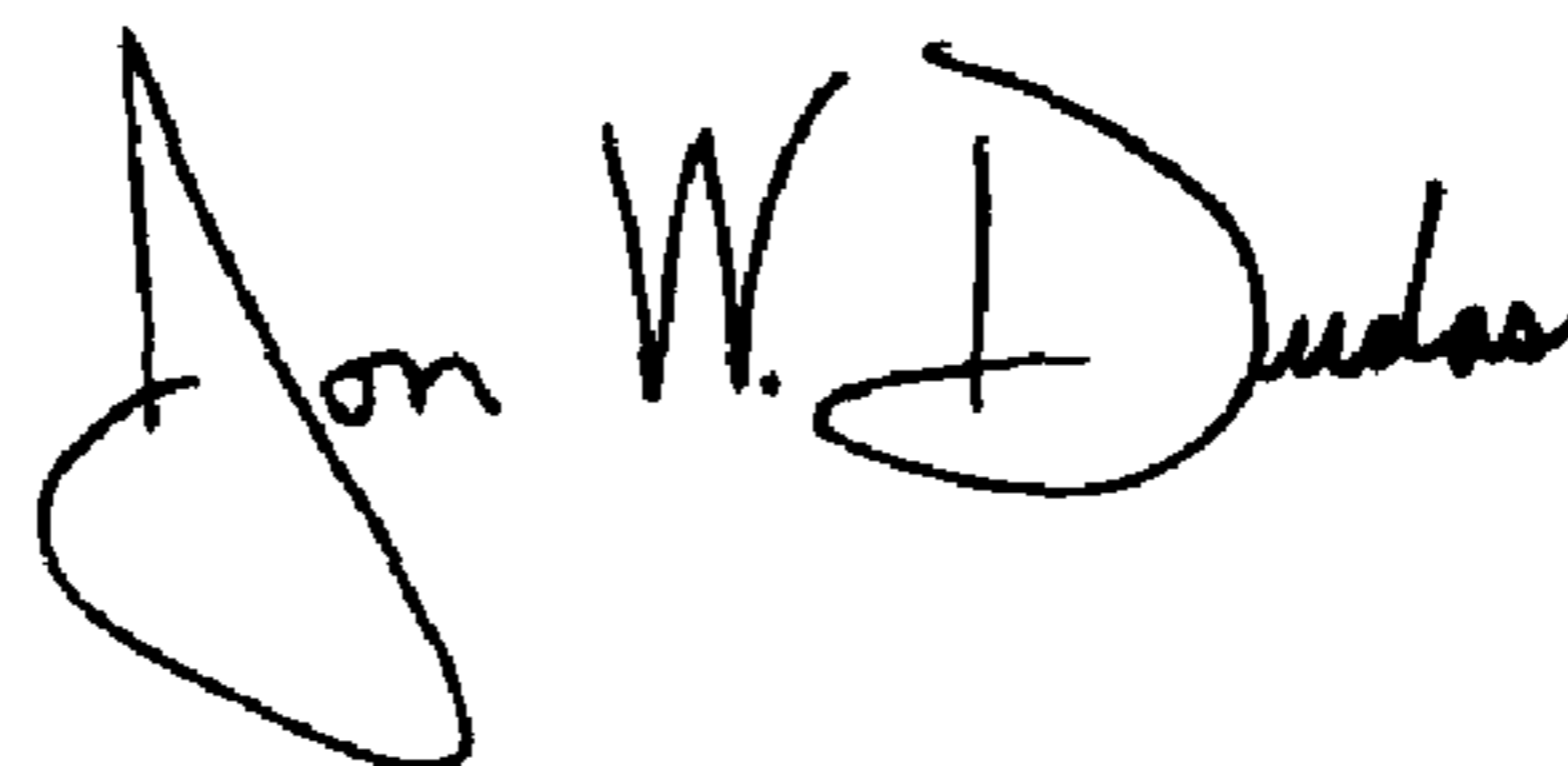
Page 1 of 1

It is certified that error appears in the above-identified patent and that said Letters Patent is hereby corrected as shown below:

This certificate supersedes Certificate of Correction issued June 22, 2004, the number was erroneously mentioned and should be vacated since no Certificate of Correction was granted.

Signed and Sealed this

Thirteenth Day of December, 2005

A handwritten signature in black ink that reads "Jon W. Dudas". The signature is written in a cursive style with a large, looped initial "J".

JON W. DUDAS

Director of the United States Patent and Trademark Office