



US00D468796S

(12) **United States Design Patent**
Sacs

(10) **Patent No.:** **US D468,796 S**

(45) **Date of Patent:** **** Jan. 14, 2003**

(54) **MODULAR MAGNETIC DEVICE**

(76) **Inventor:** **Steven Sacs**, 460 Second Ave., Apt. 11A, New York, NY (US) 10016

(**) **Term:** **14 Years**

(21) **Appl. No.:** **29/152,823**

(22) **Filed:** **Dec. 28, 2001**

(51) **LOC (7) Cl.** **23-01**

(52) **U.S. Cl.** **D23/207**

(58) **Field of Search** D23/207; 210/695, 210/222, 223

(56) **References Cited**

U.S. PATENT DOCUMENTS

| | | | | | |
|--------------|---|---------|--------------------|-------|---------|
| D175,814 S | * | 10/1955 | Wells | | D23/207 |
| D262,306 S | * | 12/1981 | Carpentaer | | D23/207 |
| 4,888,113 A | | 12/1989 | Holcomb | | |
| 4,956,084 A | | 9/1990 | Stevens | | |
| D327,113 S | * | 6/1992 | Young et al. | | D23/207 |
| 5,198,106 A | | 3/1993 | Carpenter | | |
| 5,558,765 A | | 9/1996 | Twardzik | | |
| D384,959 S | | 10/1997 | Kimbel et al. | | |
| 6,231,759 B1 | * | 5/2001 | Sato | | 210/222 |
| 6,270,666 B1 | * | 8/2001 | Kamibayashi et al. | | 210/222 |

* cited by examiner

Primary Examiner—Robin V. Taylor

(74) *Attorney, Agent, or Firm*—Robert L. Stone

(57) **CLAIM**

The ornamental design for a modular magnetic device, as shown and described.

DESCRIPTION

FIG. 1 is a perspective view of a modular magnetic device showing my new design;

FIG. 2 is a front view of a module of the device.

FIG. 3 is a rear view of the module of the device from the opposite end from FIG. 2.

FIG. 4 is a side view of the front of a module and spacer means of the device.

FIG. 5 is a side view of the back of a module and spacer means of the device from the opposite side from FIG. 4.

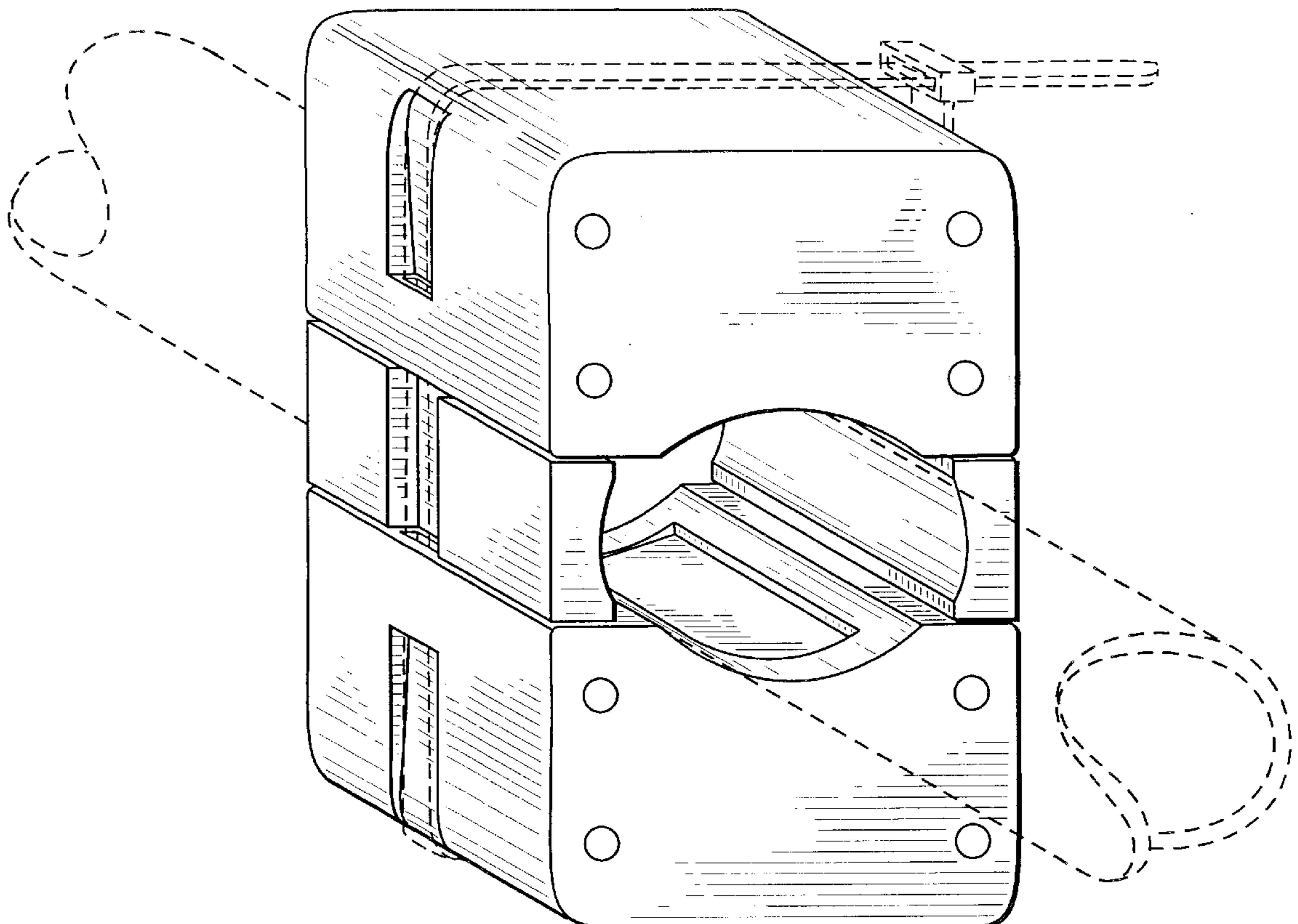
FIG. 6 is a plan view of an upper piece of a module of the device.

FIG. 7 is a plan view of a lower piece of a module of the device; and,

FIG. 8 is a perspective view of the device depicting two modules connected to each other by coupler means.

The broken line showing is for illustrative purposes only and forms no part of the claimed design.

1 Claim, 5 Drawing Sheets



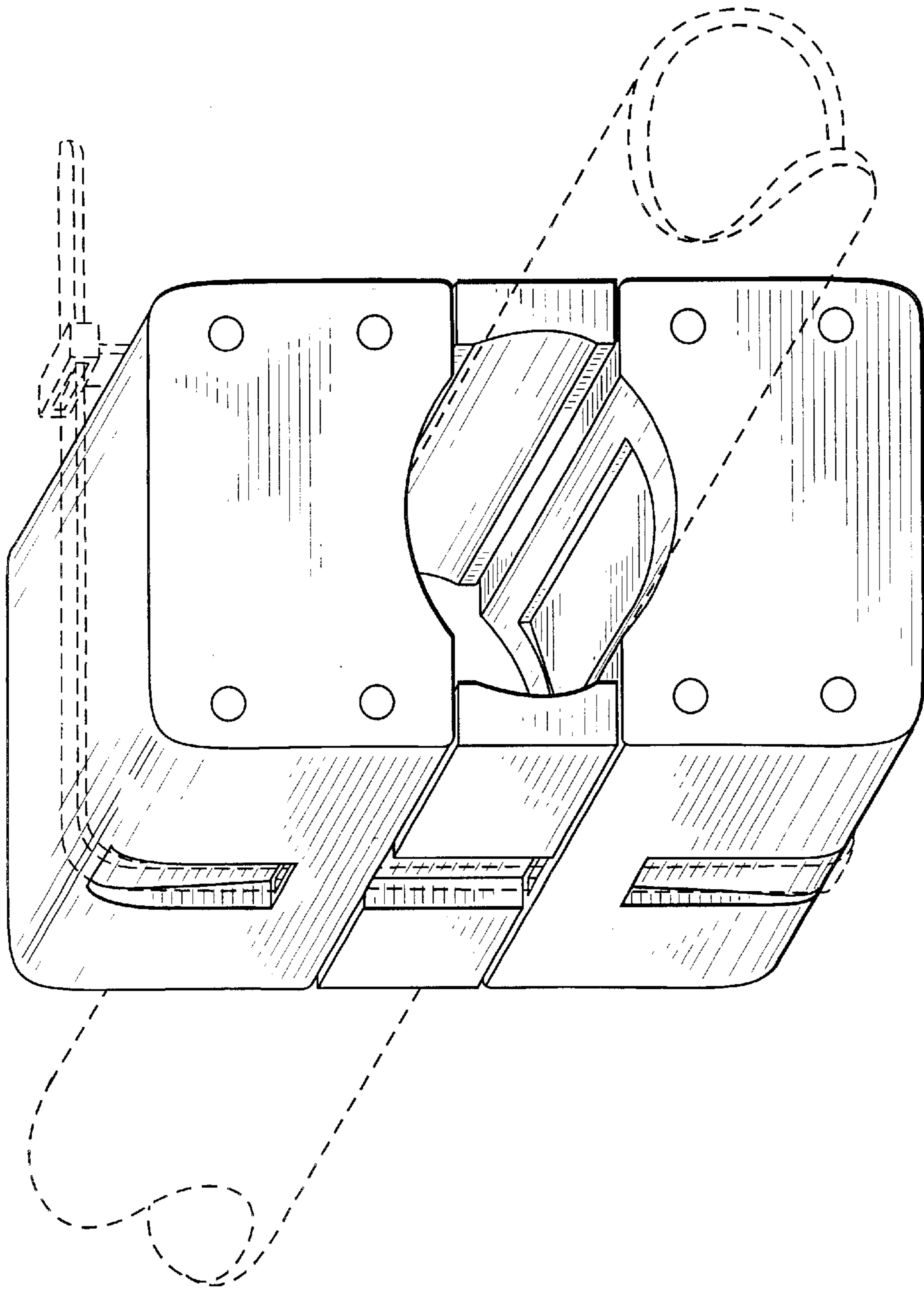


FIG. 1

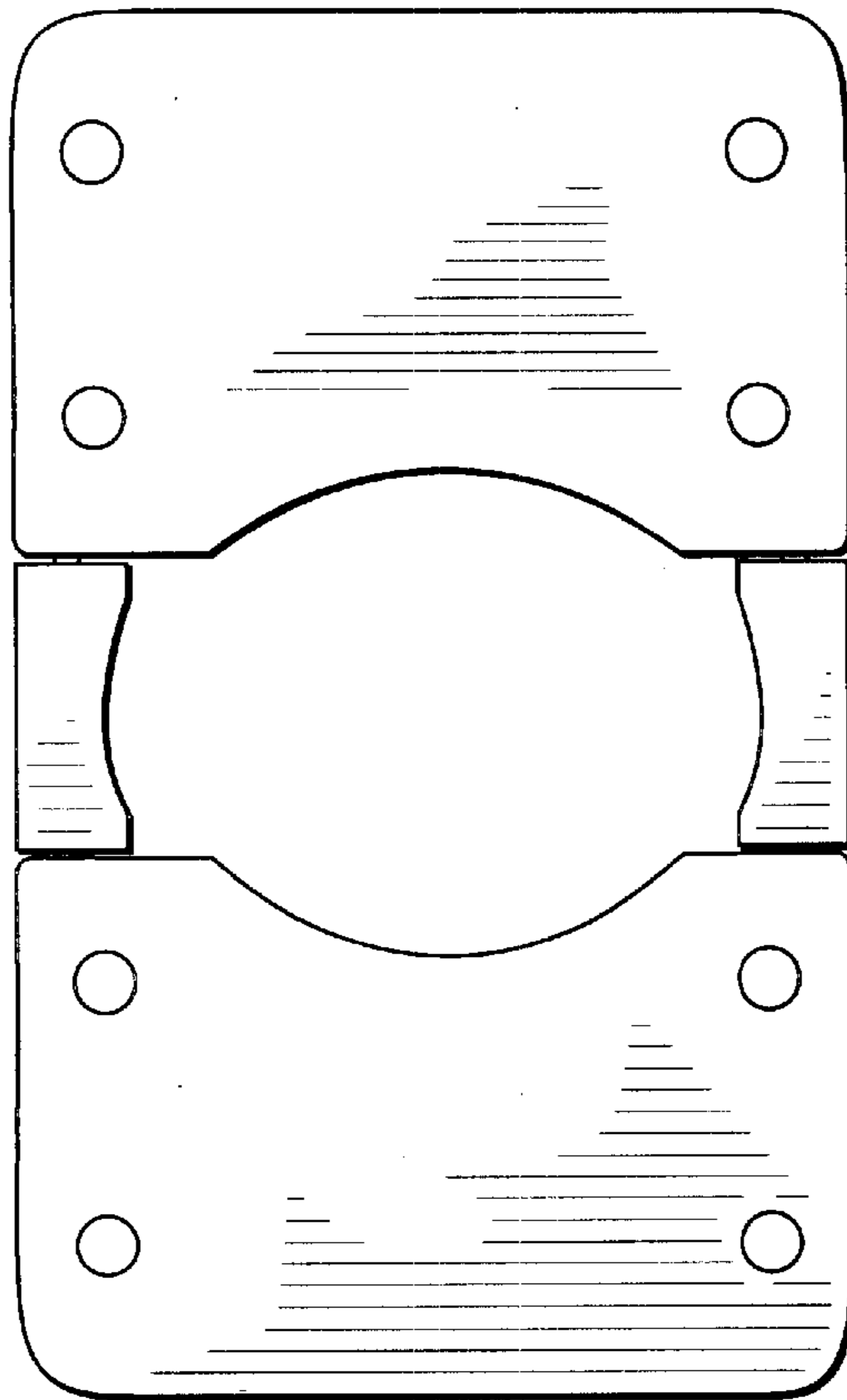


FIG. 2

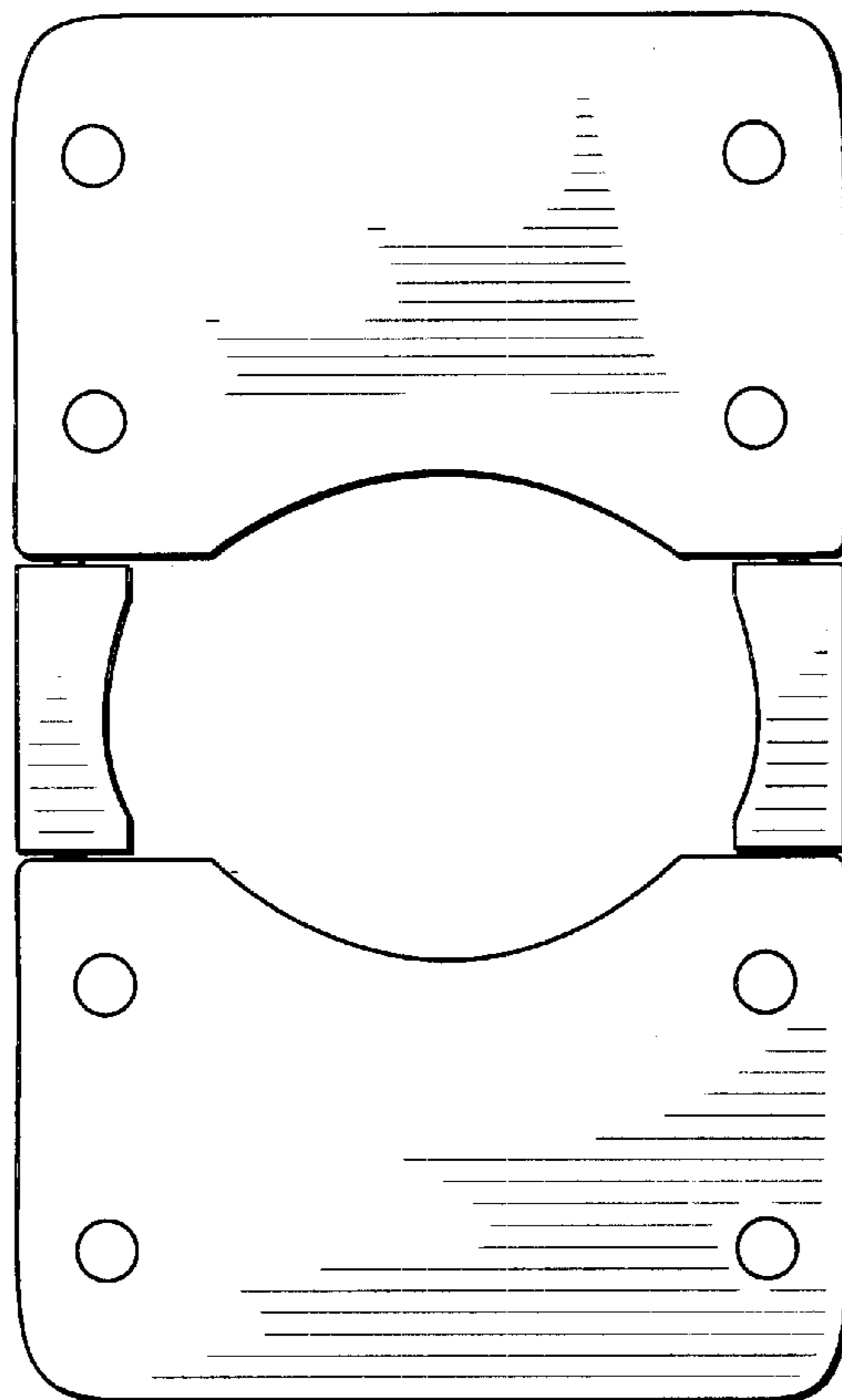


FIG. 3

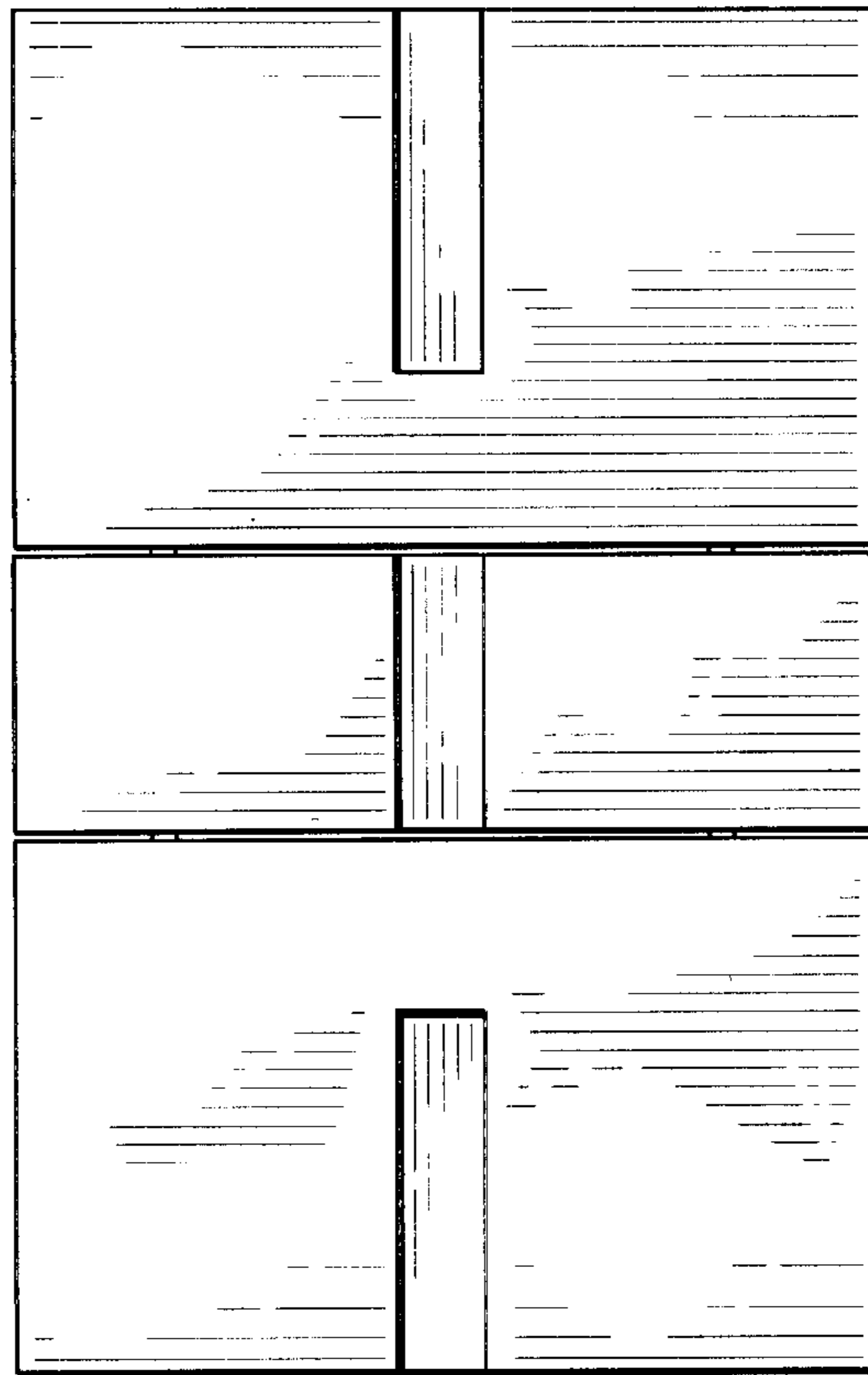


FIG. 4

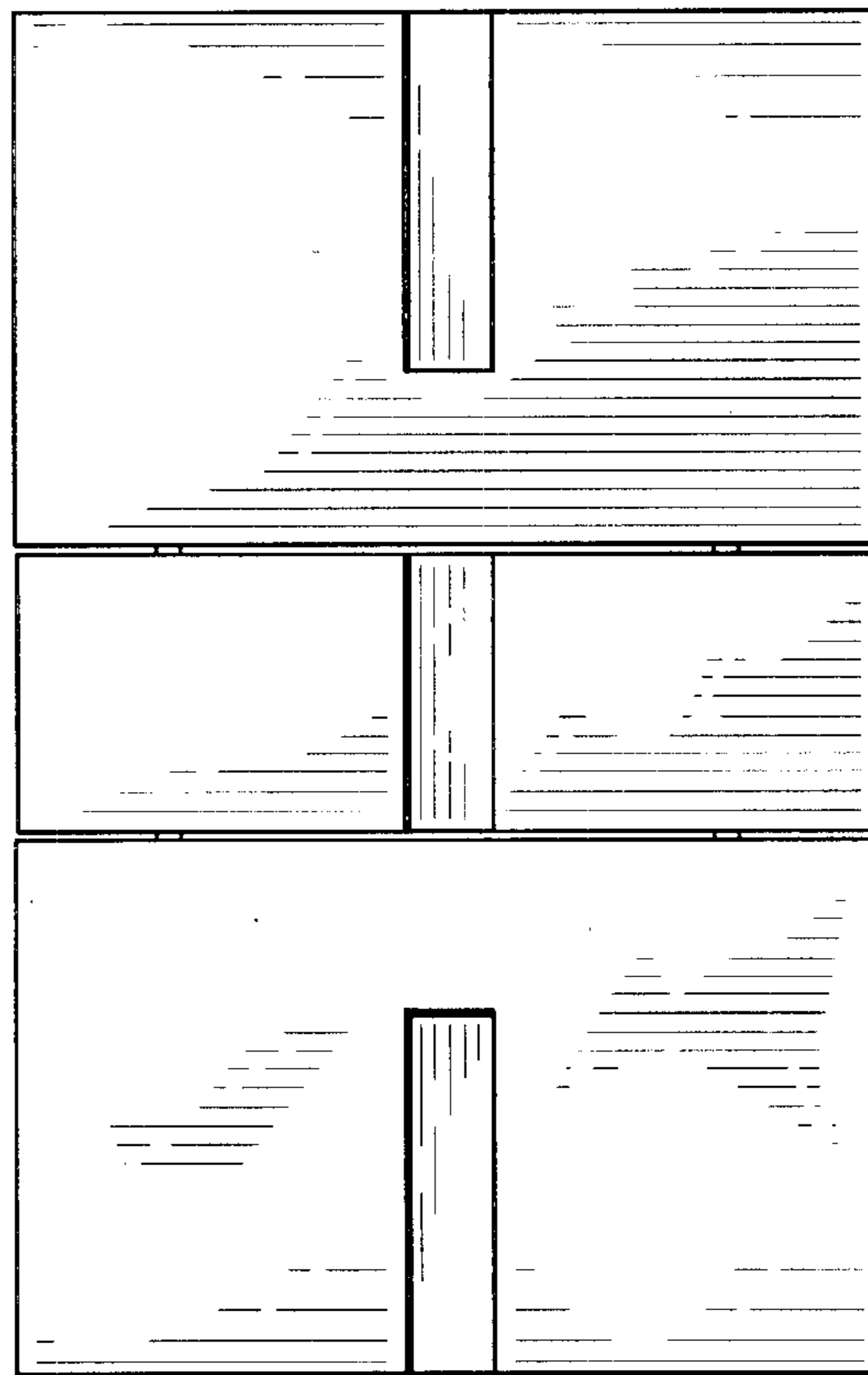


FIG. 5

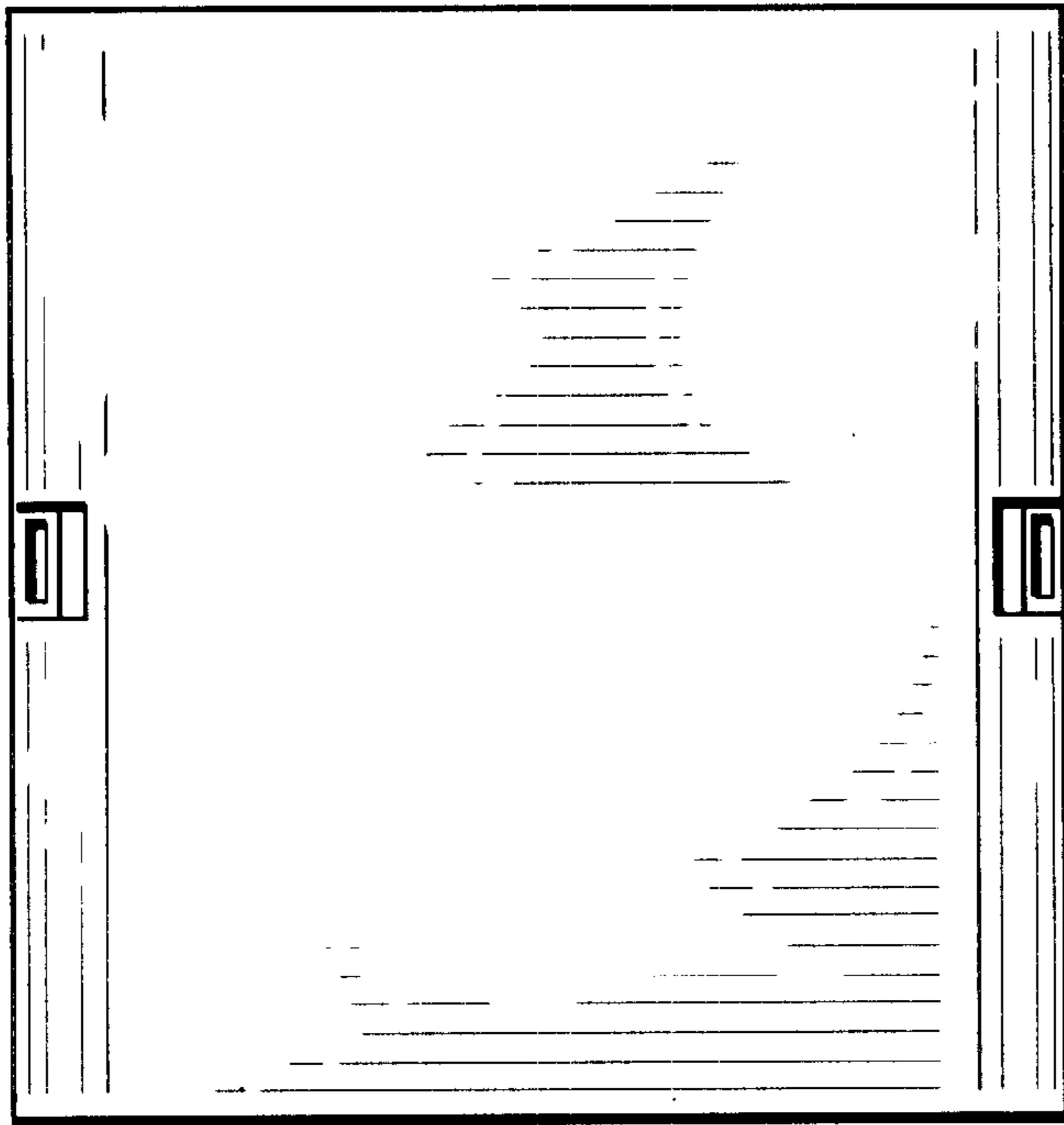


FIG. 6

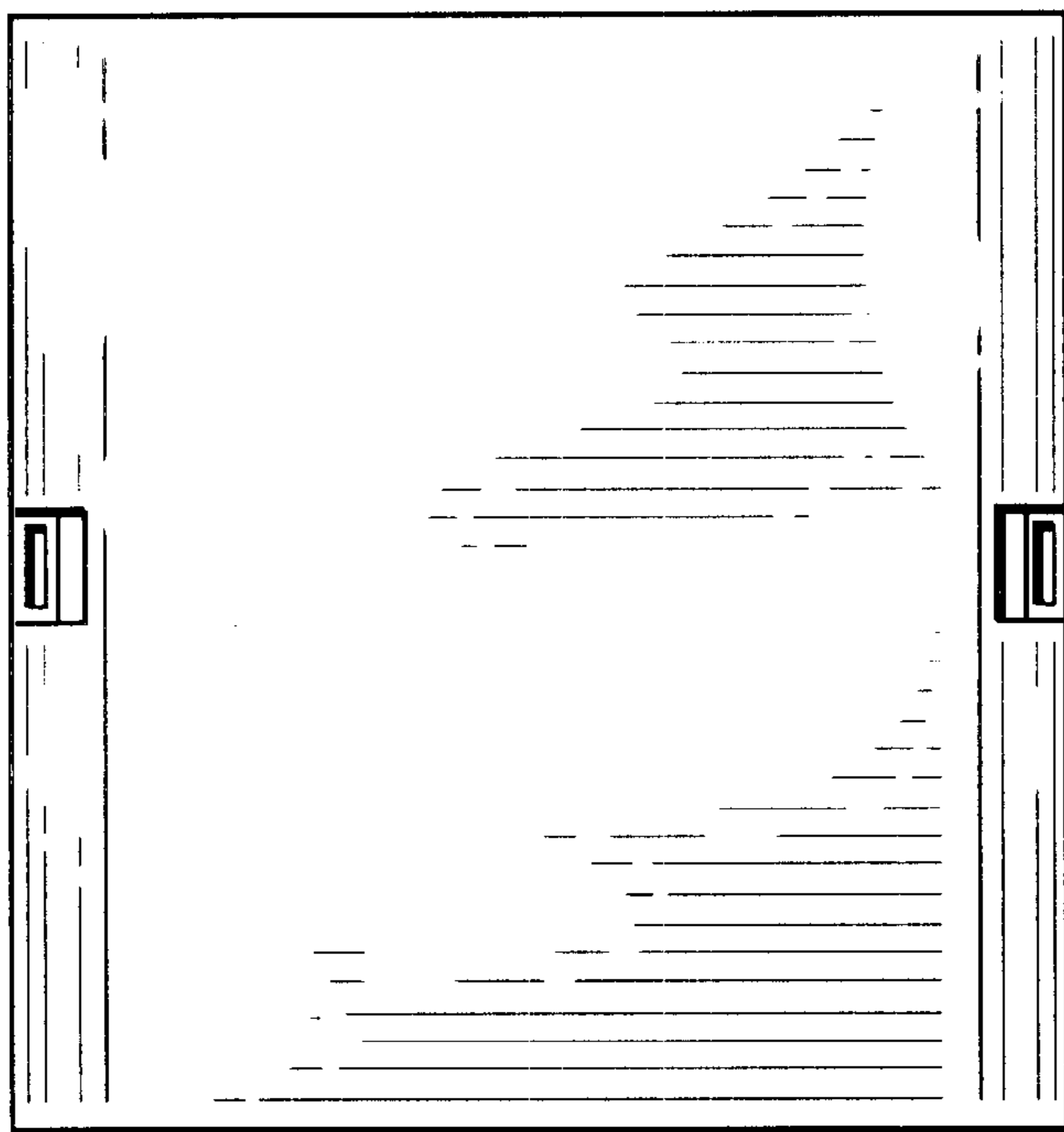


FIG. 7

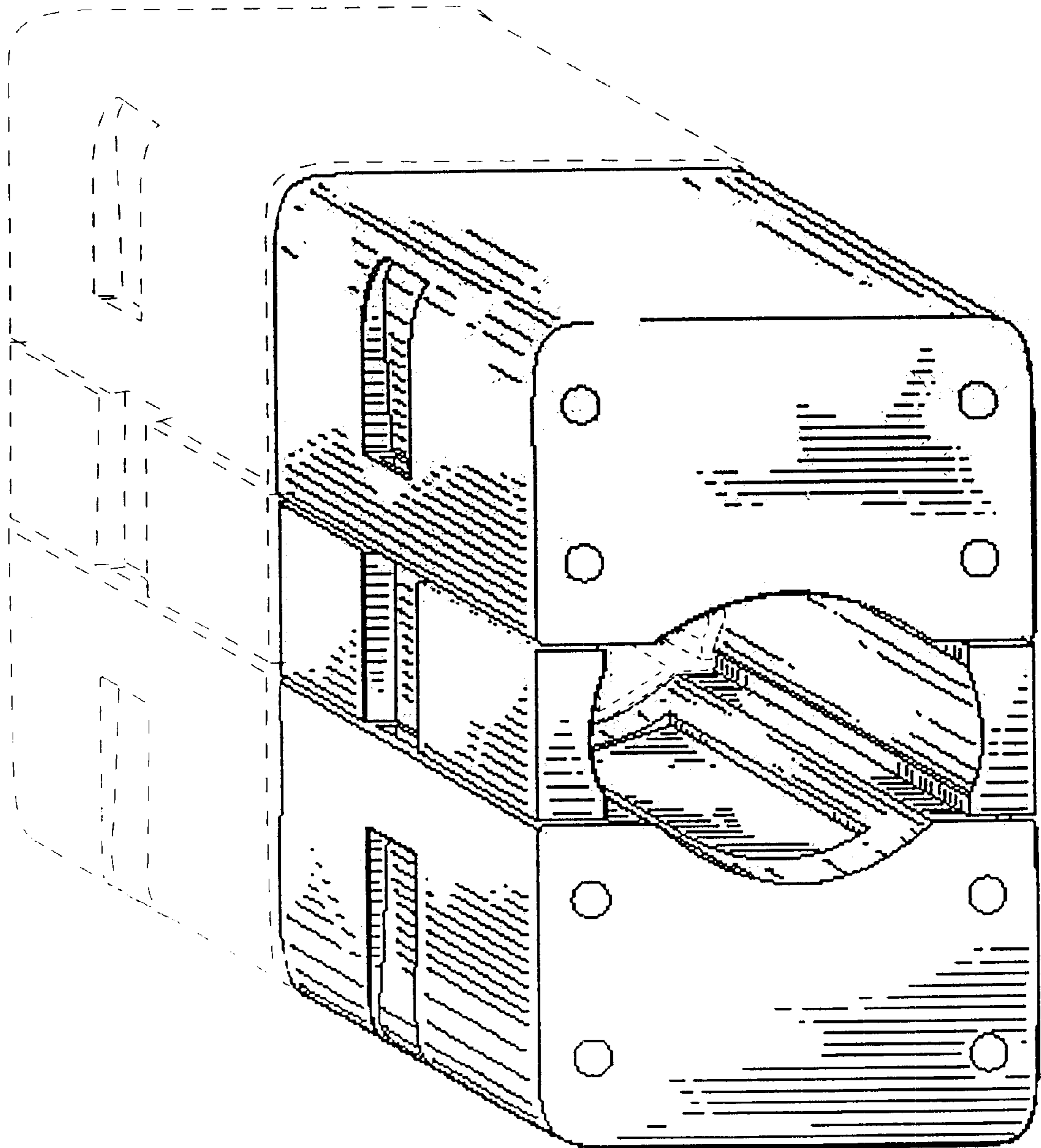


FIG. 8