



US00D468792S

(12) **United States Design Patent**
Jacoway et al.

(10) **Patent No.:** **US D468,792 S**

(45) **Date of Patent:** **** Jan. 14, 2003**

(54) **SCUBA BACKPLATE**

(75) **Inventors:** **William W. Jacoway**, San Diego, CA
(US); **Robert B. Jacoway**, Poway, CA
(US)

(73) **Assignee:** **DeepOutdoors, Inc.**, Poway, CA (US)

(**) **Term:** **14 Years**

(21) **Appl. No.:** **29/155,722**

(22) **Filed:** **Feb. 14, 2002**

(51) **LOC (7) Cl.** **21-02**

(52) **U.S. Cl.** **D21/804; D21/801; D8/354**

(58) **Field of Search** D21/804, 801,
D21/803, 805; D8/354, 349, 373; 248/313;
405/186, 187; 224/628, 250, 934, 907;
D23/205, 206

(56) **References Cited**

U.S. PATENT DOCUMENTS

2,943,775	A	7/1960	Mack	
3,033,431	A	5/1962	Henderson et al.	
3,219,242	A	11/1965	Reilly et al.	
3,670,509	A	* 6/1972	Walters	405/186
3,774,825	A	11/1973	Schone et al.	
3,780,972	A	12/1973	Broderson	248/313
3,891,131	A	* 6/1975	Tabata	224/628
3,957,183	A	5/1976	Gadberry	
4,310,110	A	1/1982	Dexter	
4,690,314	A	9/1987	Faulconer et al.	
4,889,306	A	12/1989	Boucher	
D319,778	S	9/1991	Ziaylek	D8/373
5,131,576	A	* 7/1992	Turnipseed	224/907

D342,666	S	12/1993	DePeck	D8/373
5,492,346	A	2/1996	Stradler et al.	
5,511,846	A	4/1996	Fuller	
5,522,679	A	* 6/1996	Eungard	405/186
D374,533	S	10/1996	Read	
5,579,967	A	12/1996	Berg	
5,607,258	A	3/1997	Eungard	
5,906,302	A	5/1999	Spergel	
5,913,467	A	6/1999	Berg	
D415,013	S	10/1999	Griffiths	
6,183,164	B1	* 2/2001	Canella	405/186
6,367,753	B1	* 4/2002	Berg	248/313
6,409,429	B1	* 6/2002	Belloni	224/907

* cited by examiner

Primary Examiner—Lucy Lieberman

(74) *Attorney, Agent, or Firm*—Gordon & Rees LLP; Keith C. Cramer; Marc E. Hankin

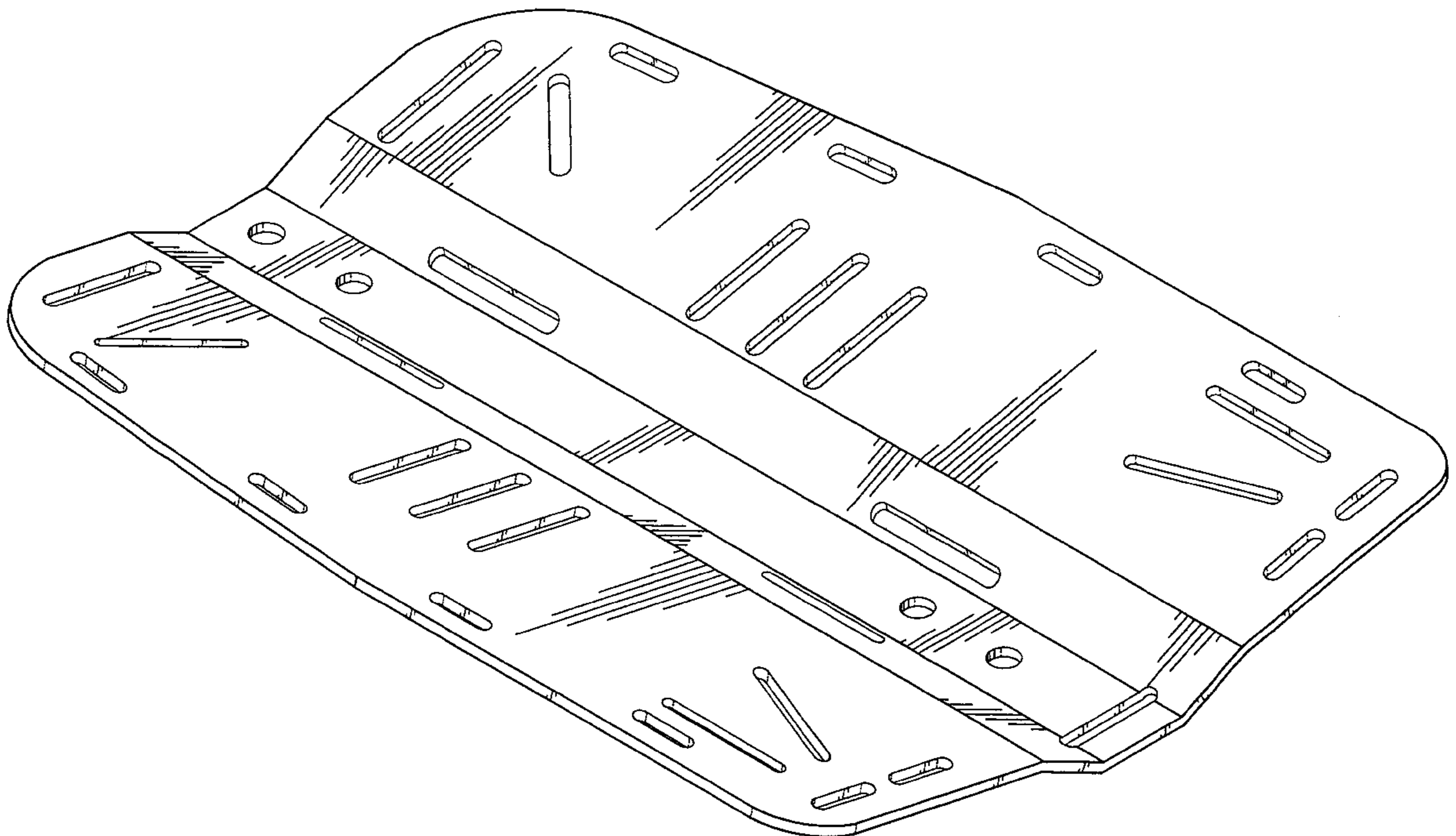
(57) **CLAIM**

We claim the ornamental design for a scuba backplate, substantially as shown and described.

DESCRIPTION

FIG. 1 is an angled perspective view of the face of the scuba backplate closest to the diver's body, with the top at the left, showing my new design;
FIG. 2 is a top plan view thereof;
FIG. 3 is a front elevation thereof;
FIG. 4 is a side elevation thereof, the opposite side is a mirror image thereto;
FIG. 5 is a rear elevation thereof; and,
FIG. 6 is a bottom plan view thereof.

1 Claim, 3 Drawing Sheets



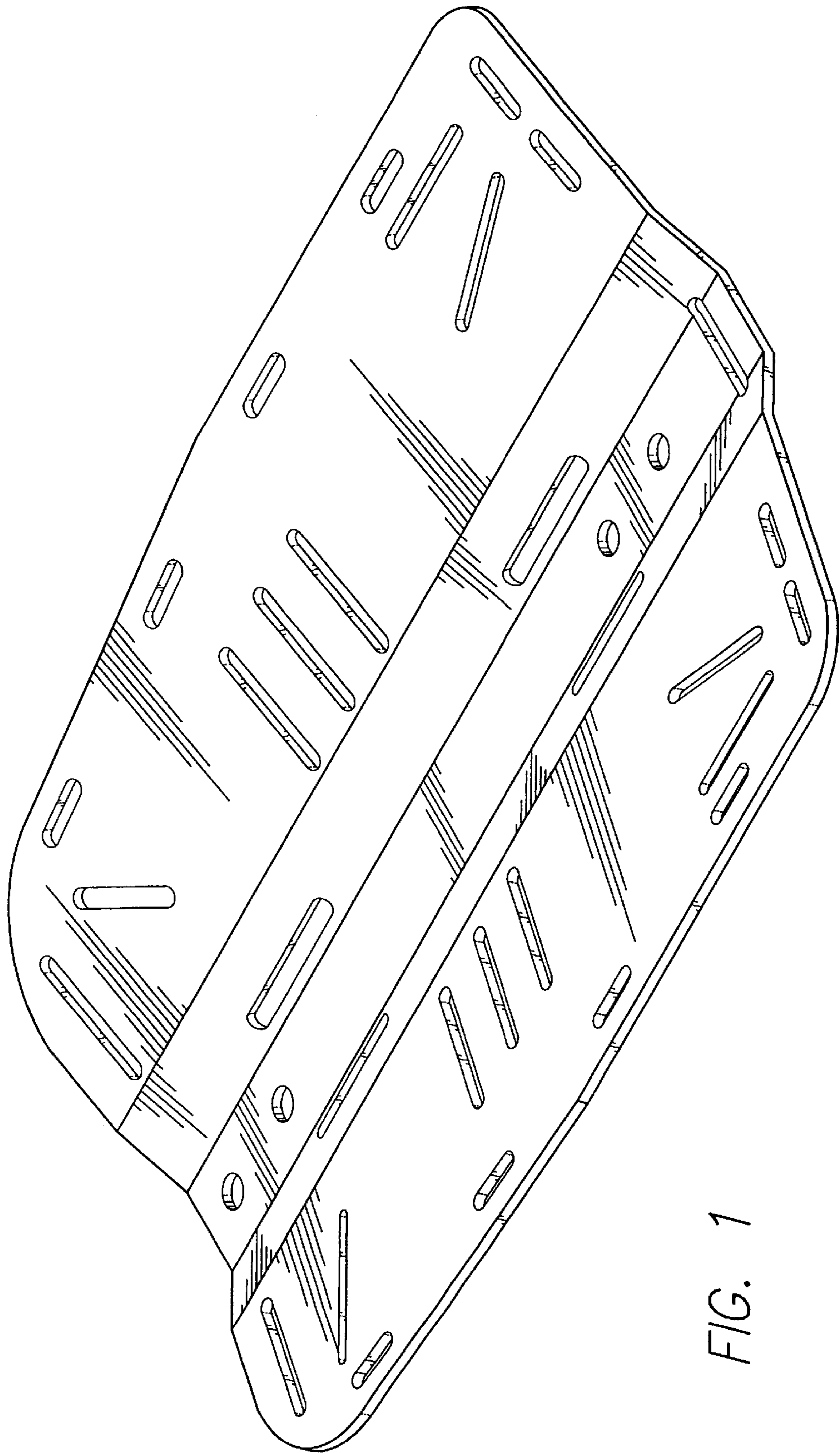


FIG. 1

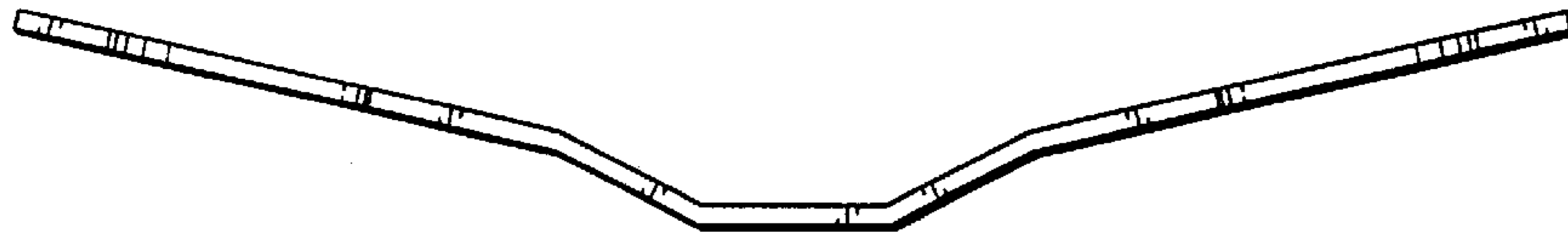


FIG. 2

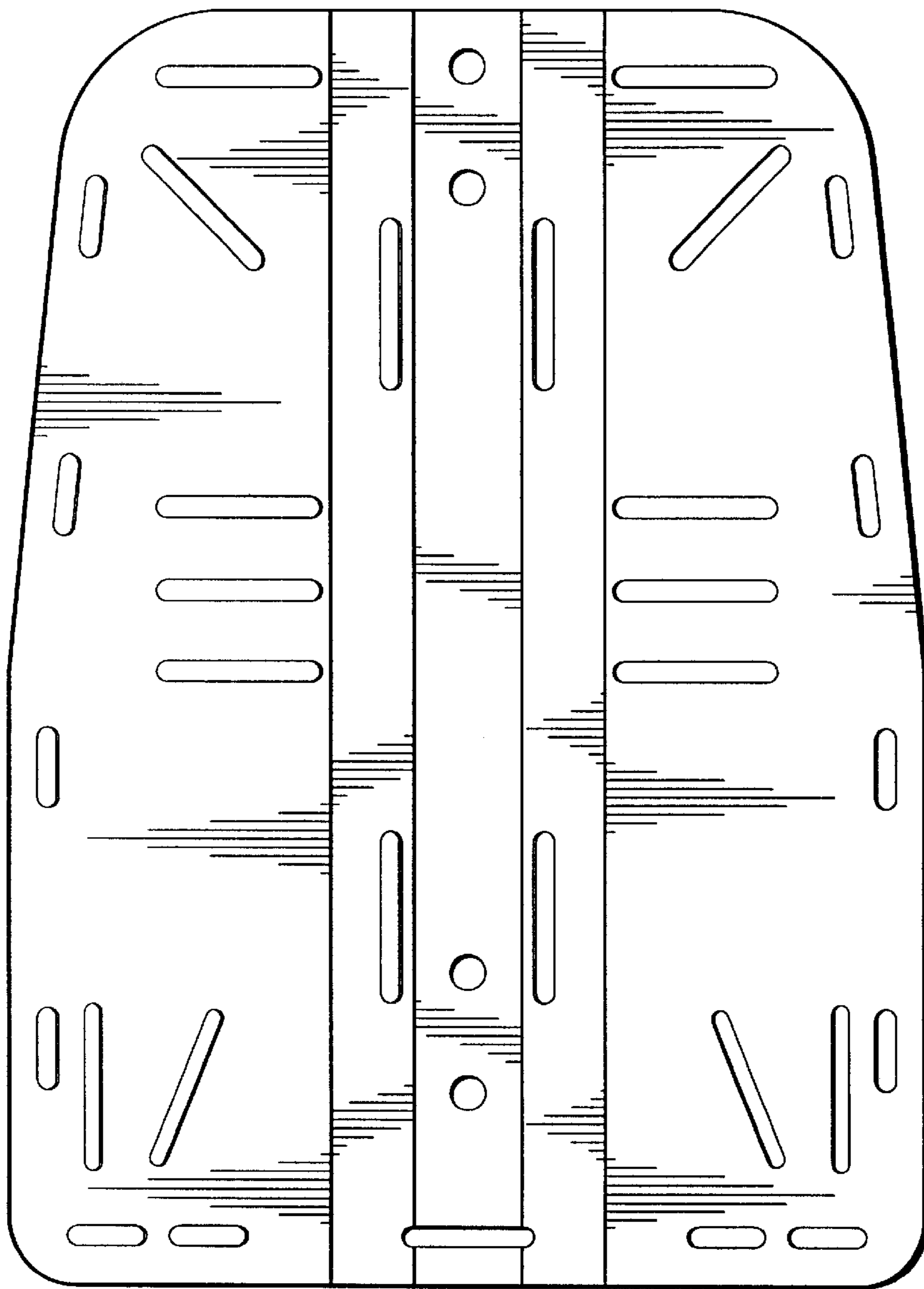


FIG. 3

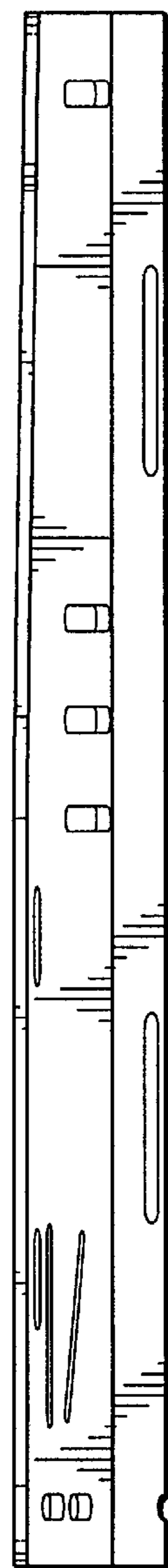


FIG. 4

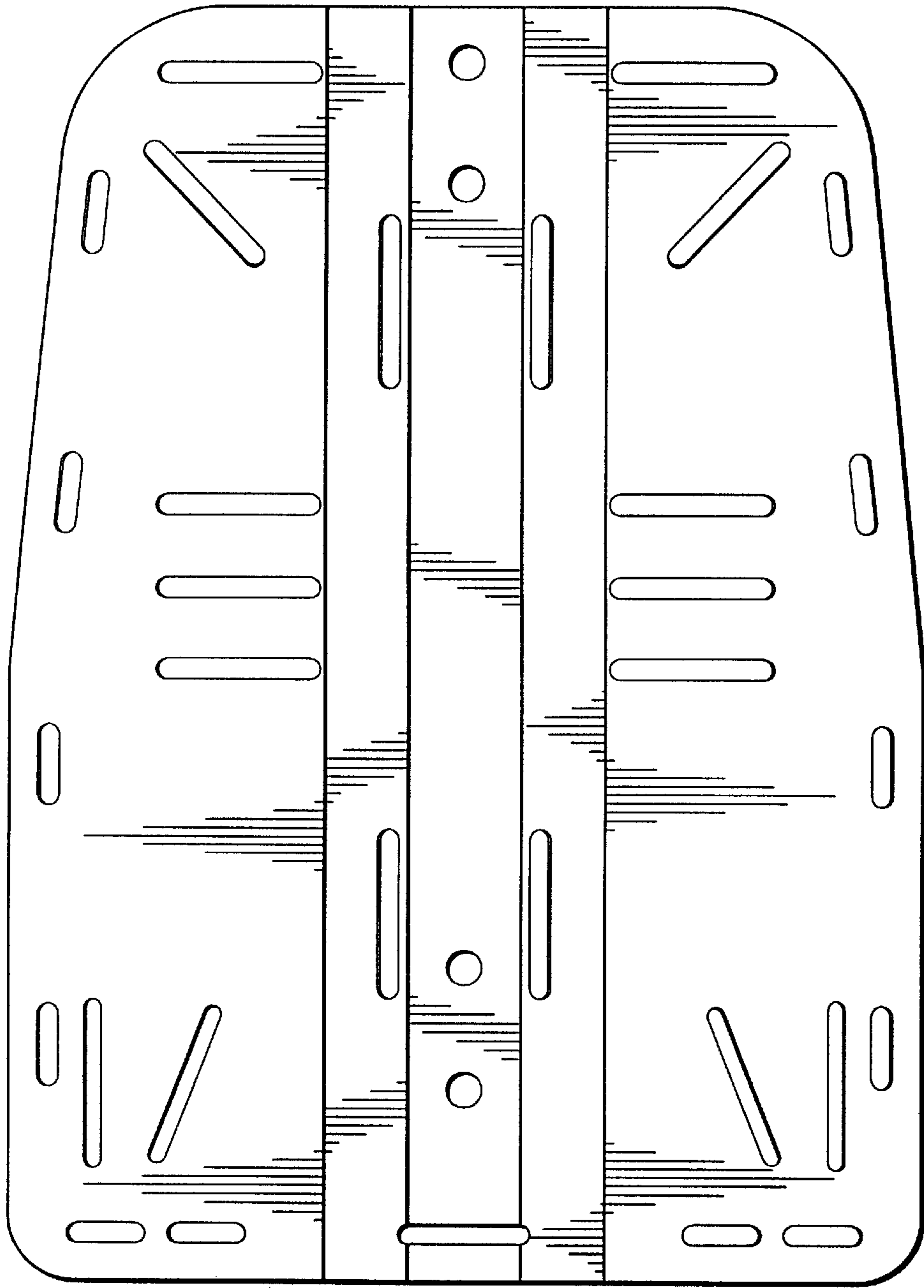


FIG. 5



FIG. 6