



US00D468790S

(12) **United States Design Patent**
Brooks et al.

(10) **Patent No.:** **US D468,790 S**
(45) **Date of Patent:** **** Jan. 14, 2003**

(54) **SPORT TRAINING DEVICE**

(76) Inventors: **Dallas Brooks**, 14 Eagle Street,
Mornington Victoria 3931 (AU); **Derek
Smith**, PO Box 126, Forest Hill
Victoria 3131 (AU)

(**) Term: **14 Years**

(21) Appl. No.: **29/120,496**

(22) Filed: **Mar. 20, 2000**

(51) **LOC (7) Cl.** **21-02**

(52) **U.S. Cl.** **D21/791**

(58) **Field of Search** D21/698, 788,
D21/791; 482/109, 111

(56) **References Cited**

U.S. PATENT DOCUMENTS

D169,880 S	*	6/1953	Williams	D21/791
D203,280 S	*	12/1965	Pleasants	D21/791
D426,607 S	*	6/2000	Wurster	D21/791
6,315,700 B1	*	11/2001	Shifferaw	482/111
6,325,727 B1	*	12/2001	Carr	482/111

OTHER PUBLICATIONS

Fitting Instructions for "CLUB KITE™ for golf" 2 pages.
No date.

Advertisement for "CLUB KITE" 1 page. No date.

* cited by examiner

Primary Examiner—Dominic Simone

(74) *Attorney, Agent, or Firm*—Sheridan Ross P.C.

(57) **CLAIM**

The ornamental design for sport training device, as shown and described.

DESCRIPTION

FIG. 1 is a top plan view of a sport training device in an open configuration showing our new design, with environment depicted in dashed lines and being no part of the claimed design;

FIG. 2 is a bottom plan view of the invention shown in FIG. 1, with environment depicted in dashed lines and being no part of the claimed design;

FIG. 3 is a front elevation view of the invention shown in FIG. 1, with environment depicted in dashed lines and being no part of the claimed design;

FIG. 4 is a rear elevation view of the invention shown in FIG. 3, with environment depicted in dashed lines and being no part of the claimed design;

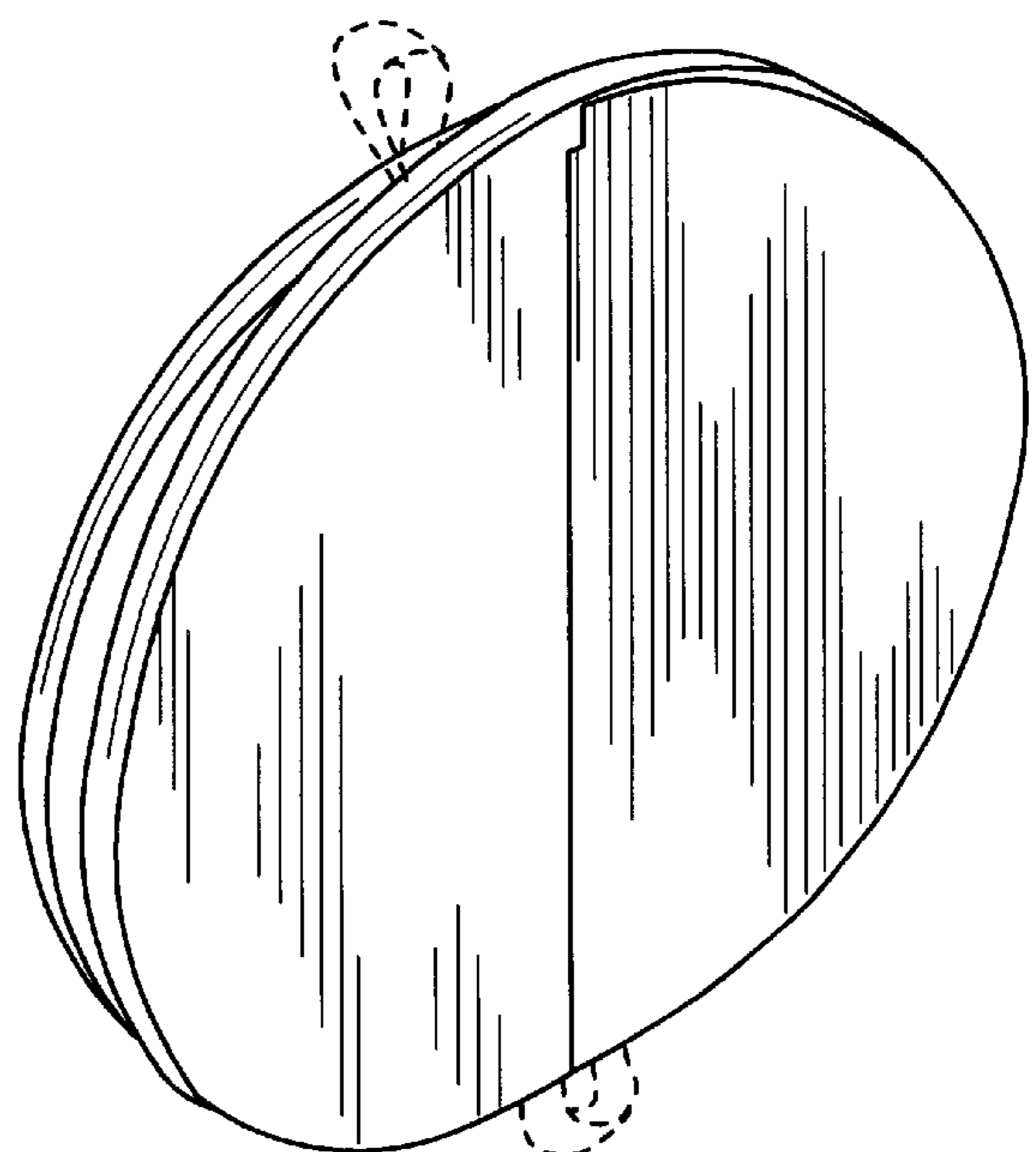
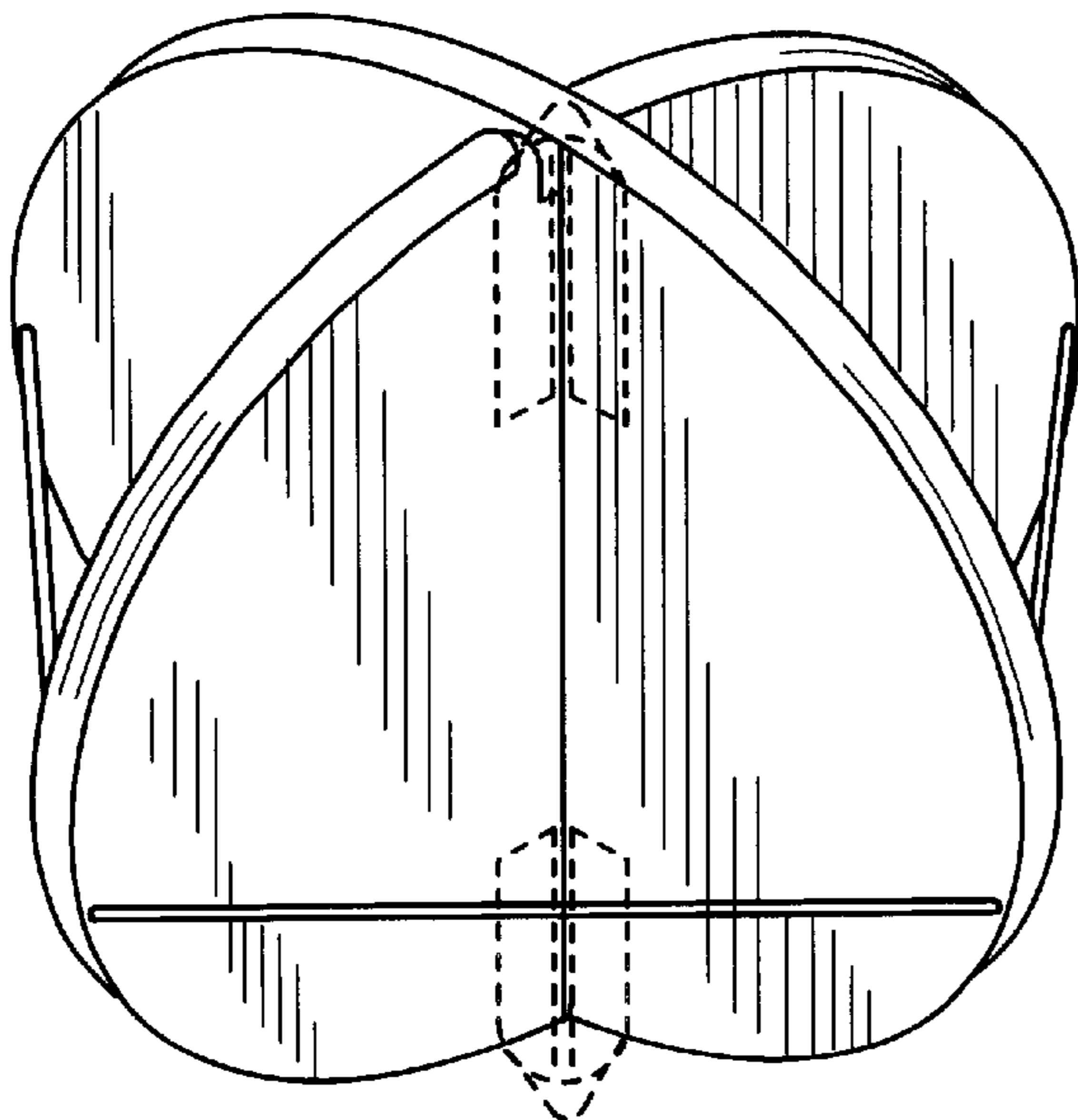
FIG. 5 is a front perspective view of the invention shown in FIG. 1, with environment depicted in dashed lines and being no part of the claimed design;

FIG. 6 is a rear perspective view of the invention shown in FIG. 5, with environment depicted in dashed lines and being no part of the claimed design;

FIG. 7 is a perspective view of the invention shown in FIG. 1 in a closed configuration, with environment depicted in dashed lines and being no part of the claimed design; and,

FIG. 8 is a side view of the invention shown in FIG. 7 in a closed configuration, with environment depicted in dashed lines and being no part of the claimed design.

1 Claim, 2 Drawing Sheets



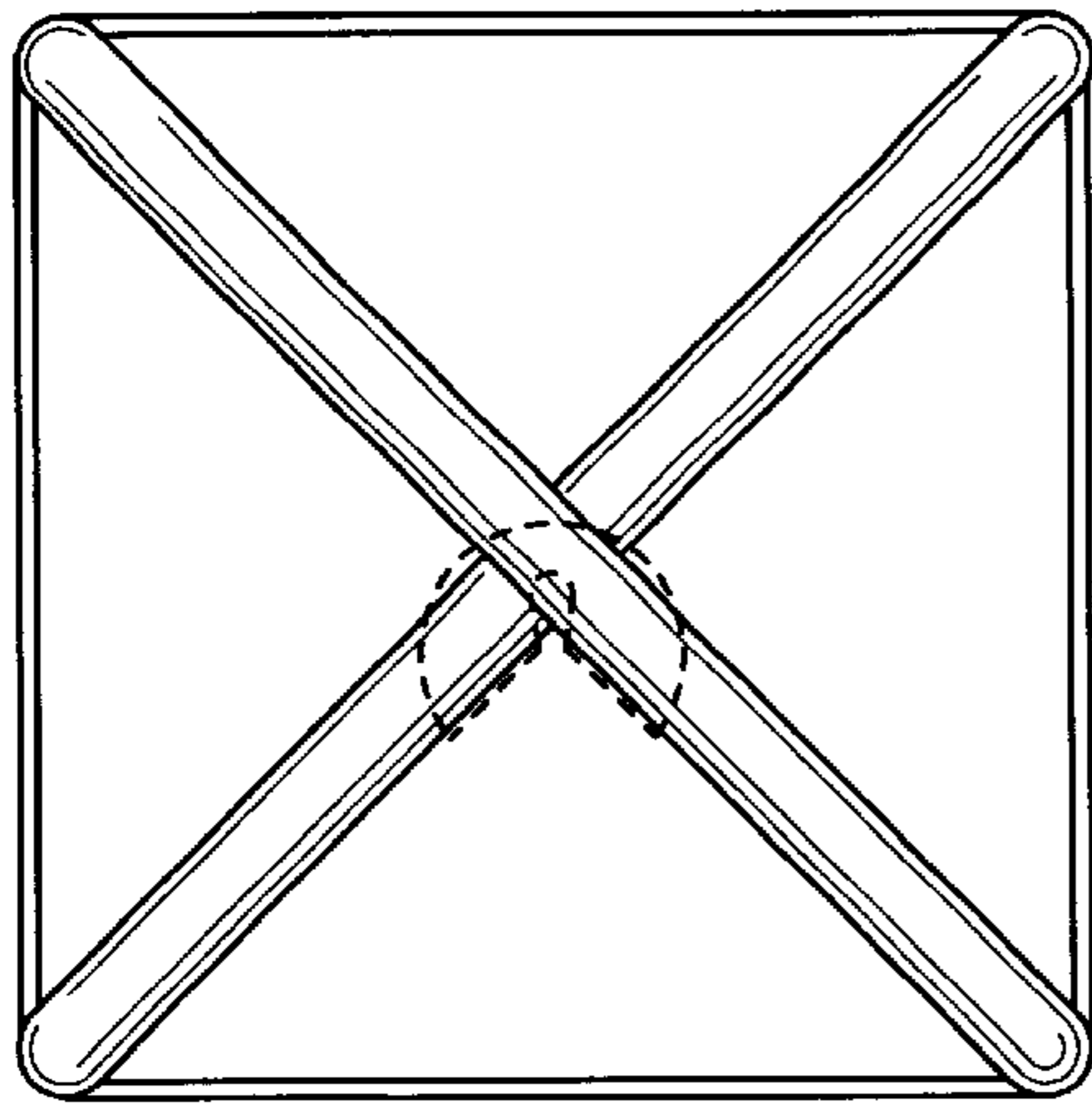


Fig. 1

Fig. 2

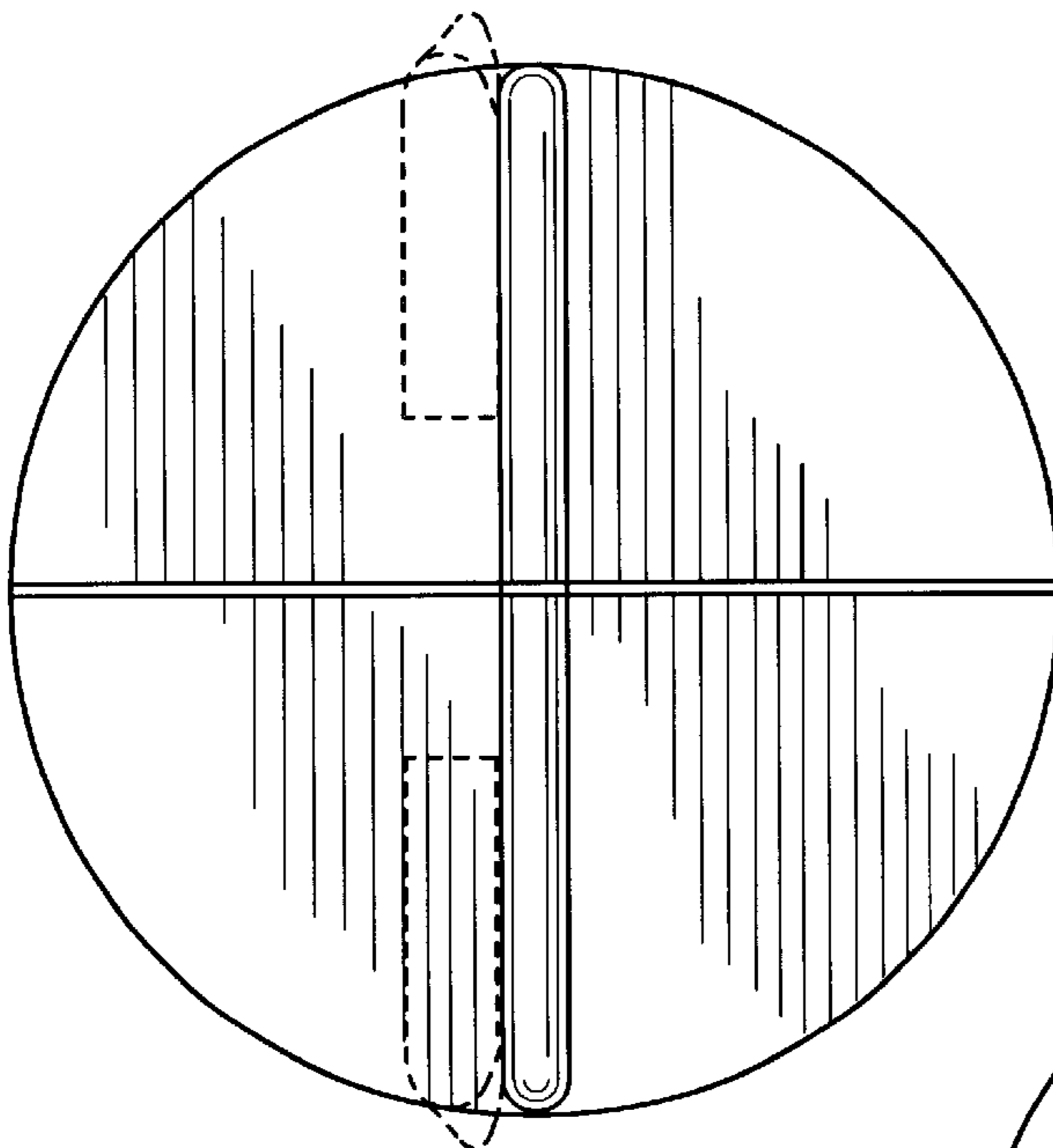
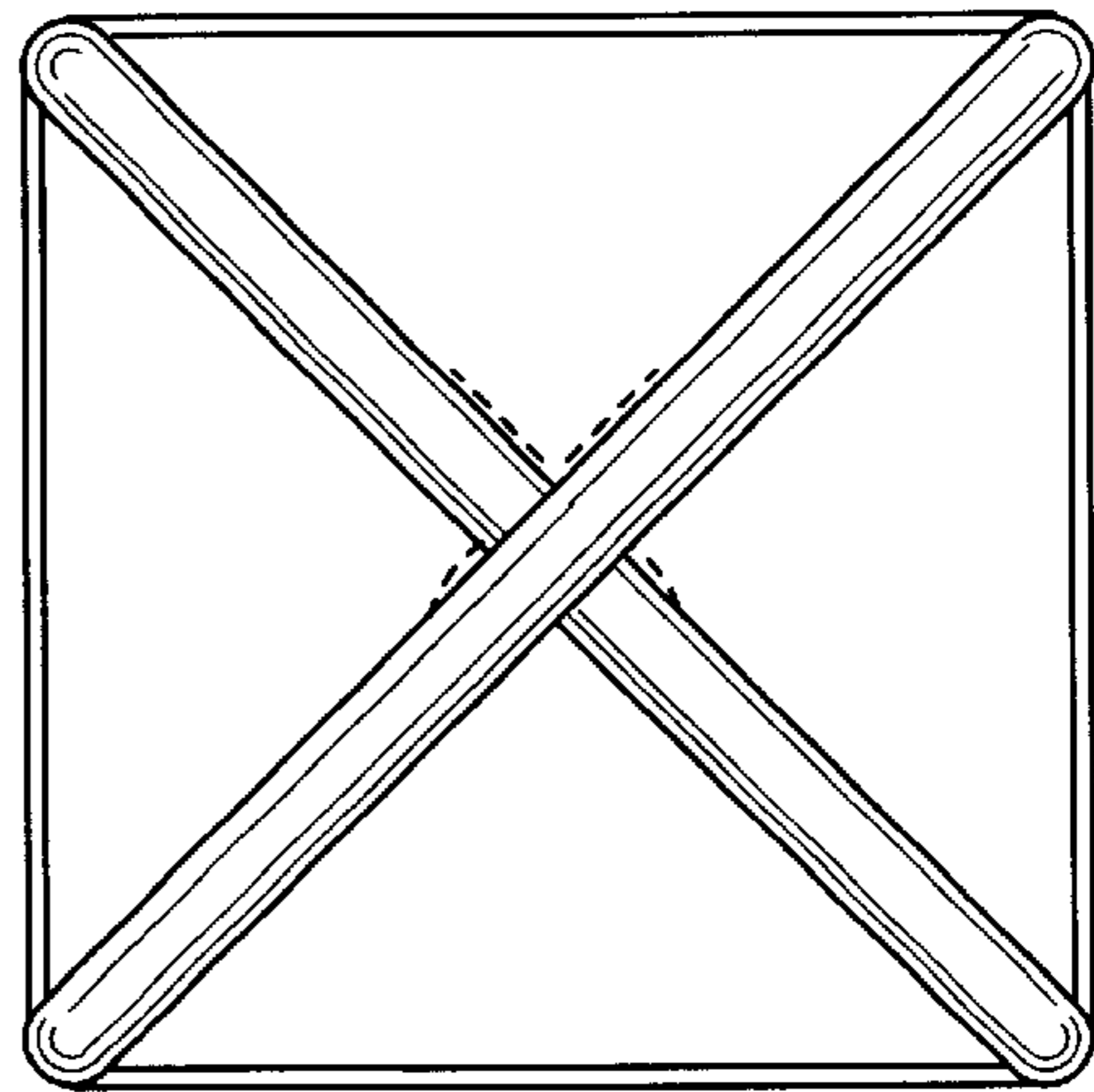


Fig. 3

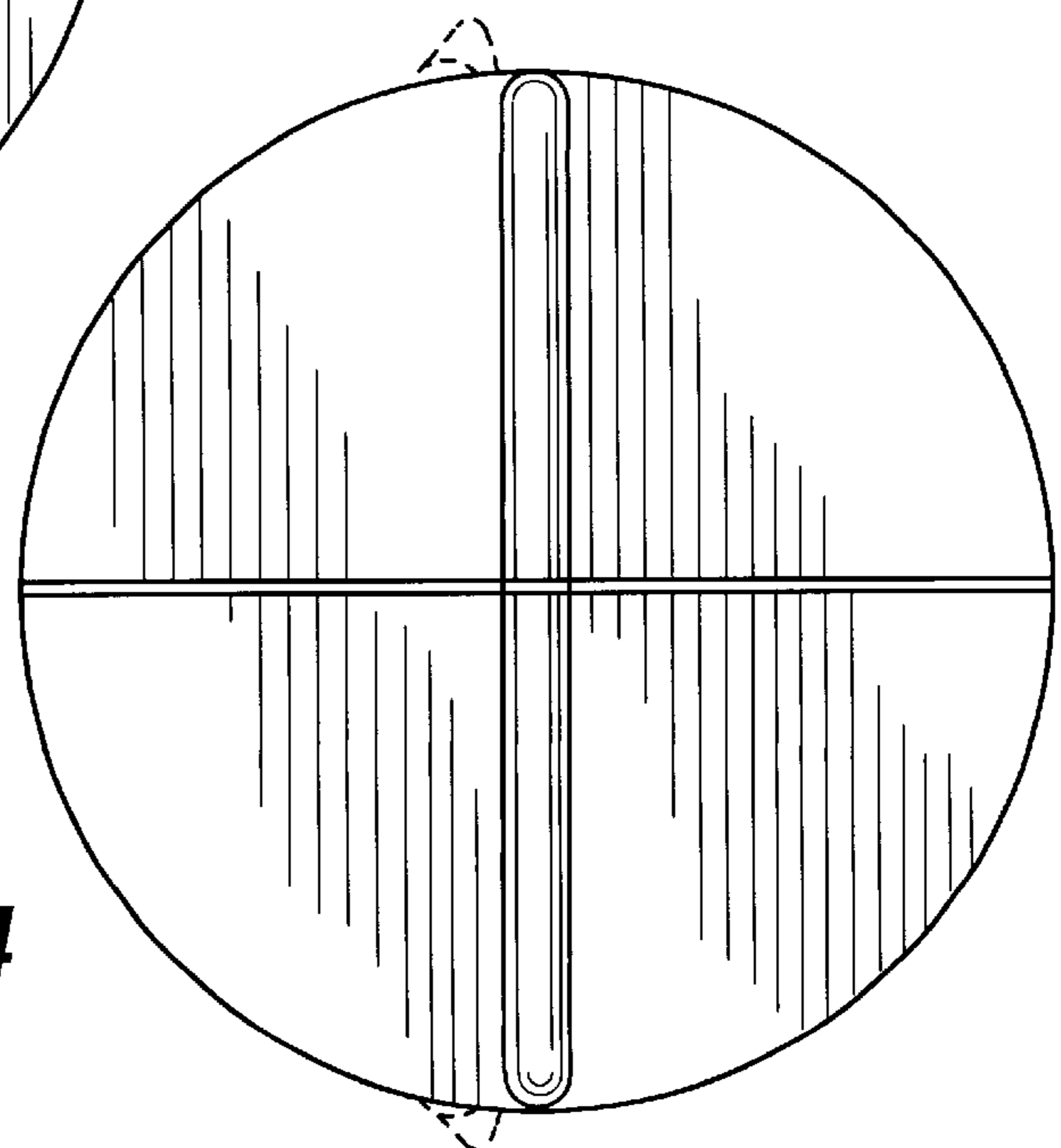


Fig. 4

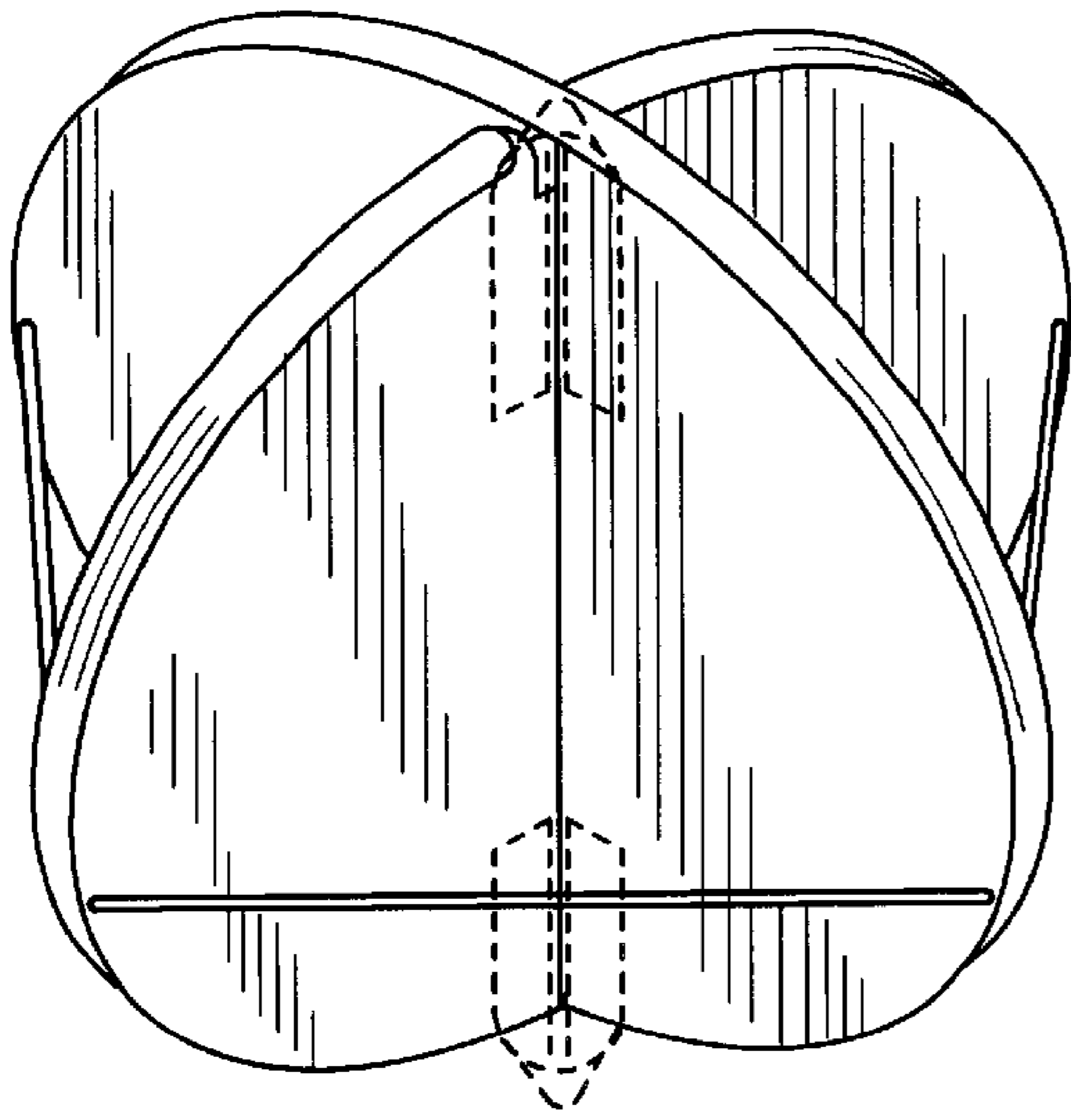


Fig. 5

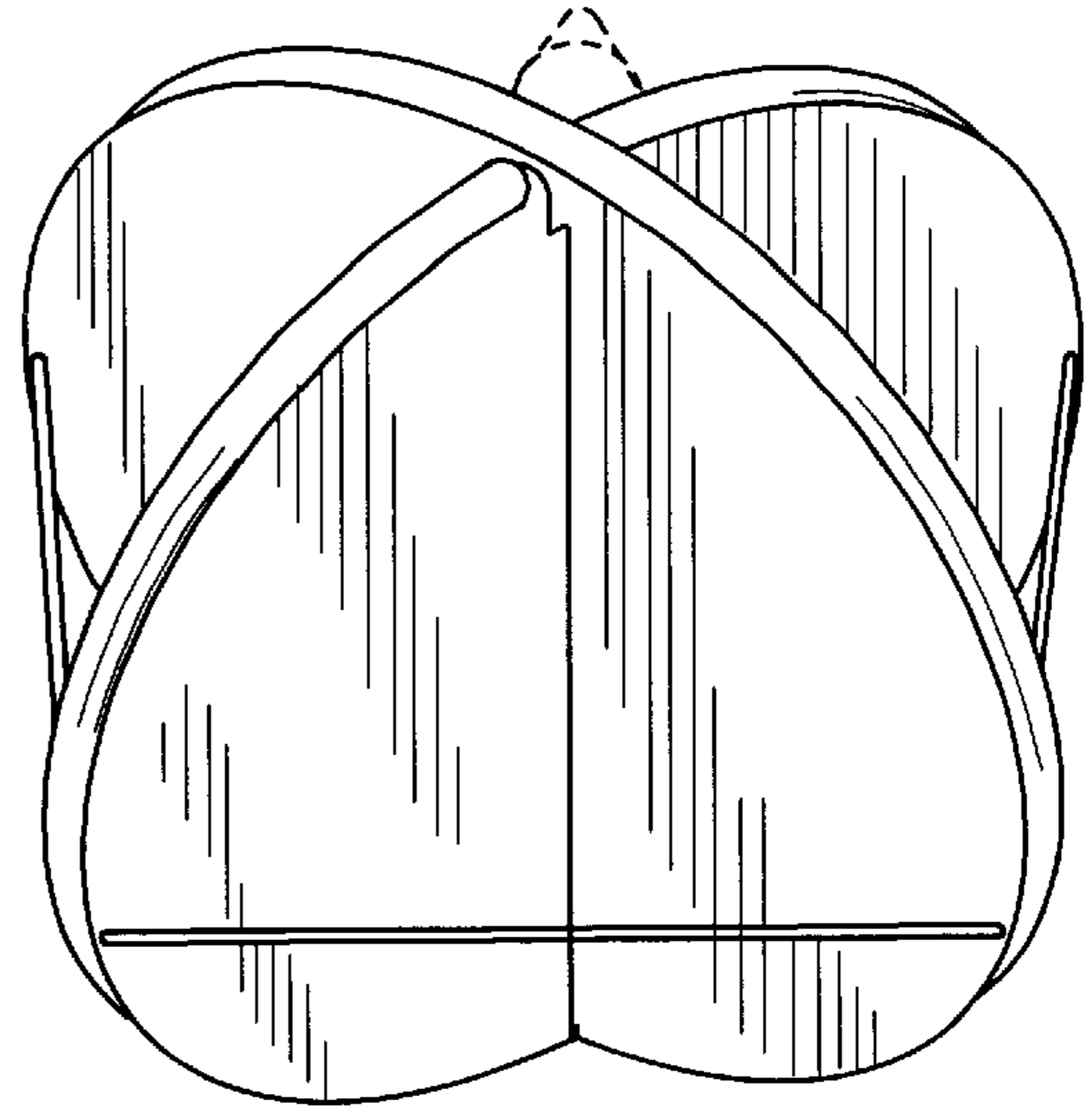


Fig. 6

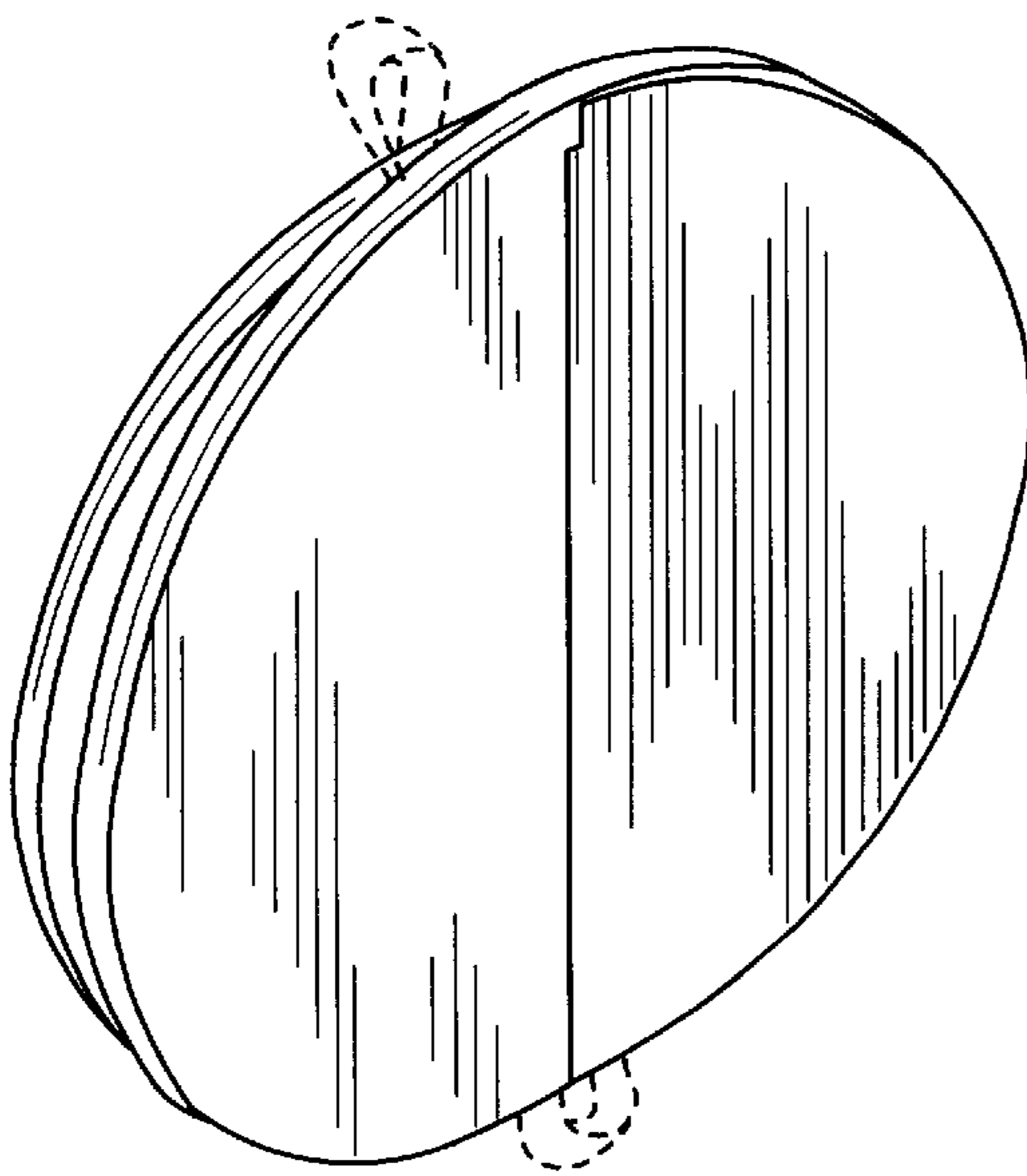


Fig. 7



Fig. 8