



US00D468789S

(12) **United States Design Patent**
Arnold et al.

(10) **Patent No.:** **US D468,789 S**

(45) **Date of Patent:** **** Jan. 14, 2003**

(54) **WHEELED BODY BOARD**

(76) Inventors: **Lenny Arnold**, 930 Sherman Ave.,
Springfield, OH (US) 45503; **Lisa Arnold**, 930 Sherman Ave., Springfield,
OH (US) 45503

(**) Term: **14 Years**

(21) Appl. No.: **29/147,924**

(22) Filed: **Sep. 7, 2001**

(51) **LOC (7) Cl.** **21-02**

(52) **U.S. Cl.** **D21/765**

(58) **Field of Search** D21/419-435,
D21/533, 534, 548-551, 760, 763, 765,
771; 280/87.01, 87.021, 87.03, 87.041,
87.042; 446/396, 326, 29, 223, 325, 432,
226, 451, 465, 470

(56) **References Cited**

U.S. PATENT DOCUMENTS

507,200 A 10/1893 Ayres
D103,419 S 3/1937 Birkhead
3,391,947 A 7/1968 Hodas 280/87.03

4,098,519 A 7/1978 Reid, Jr. 280/87.01
4,134,599 A 1/1979 DiMille et al. 280/87.01
D326,701 S * 6/1992 Delbosque et al. D21/765
D345,406 S * 3/1994 Shankland et al. D21/765
D382,617 S * 8/1997 Oak D21/765
5,915,707 A 6/1999 Steffen 280/87.03
5,975,546 A * 11/1999 Strand 280/87.042
D422,661 S * 4/2000 Edwards et al. D21/765
6,206,389 B1 * 3/2001 Yagi 280/87.042
D440,607 S * 4/2001 Mahlow D21/419

* cited by examiner

Primary Examiner—Raphael Barkai

(74) *Attorney, Agent, or Firm*—Standley & Gilcrest LLP

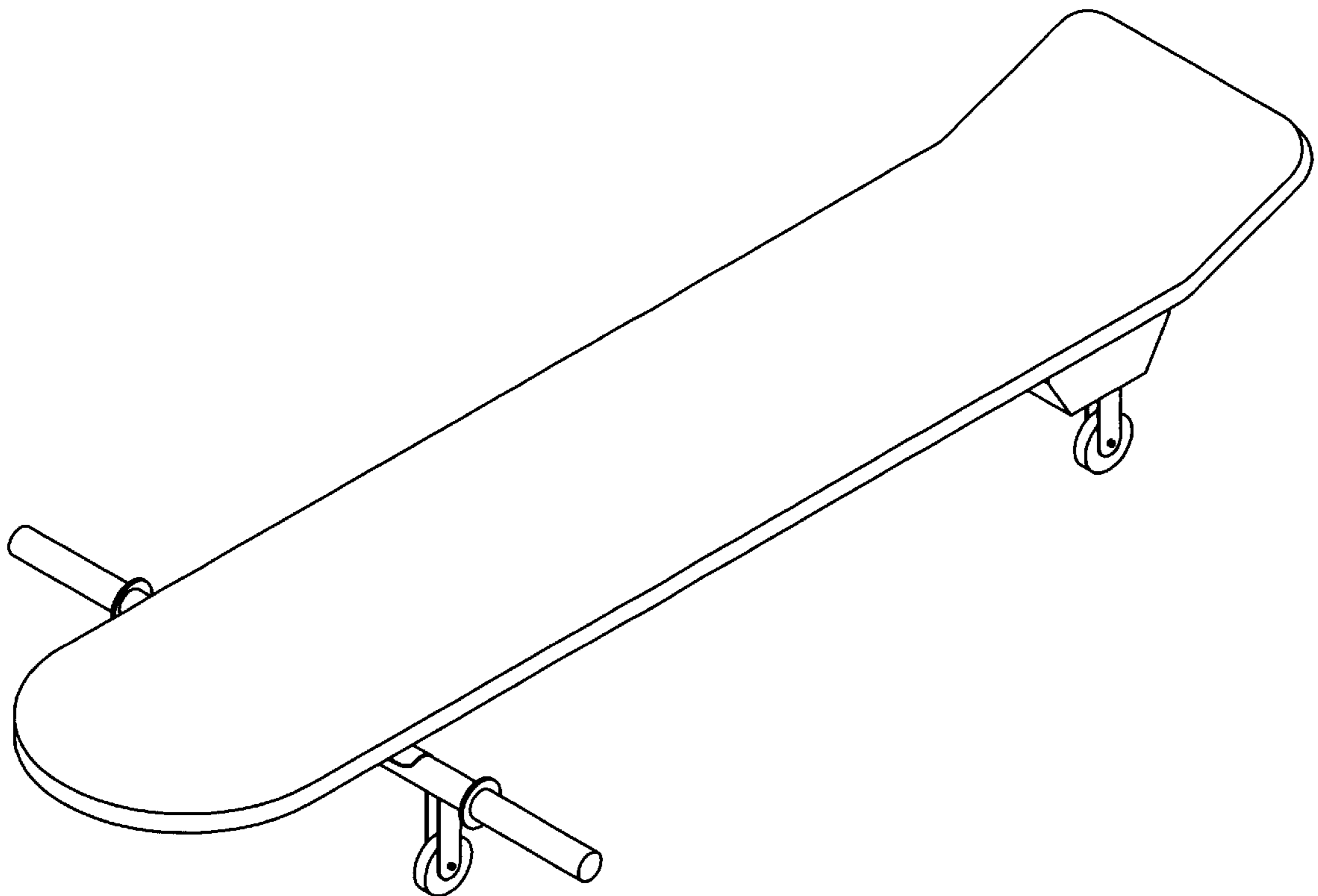
(57) **CLAIM**

The ornamental design for a wheeled body board, as shown and described above.

DESCRIPTION

FIG. 1 is a left side perspective view of my new design; FIG. 2 is a left side elevation view of FIG. 1; FIG. 3 is a bottom plan view of FIG. 1; and, FIG. 4 is an enlarged front view of FIG. 1.

1 Claim, 4 Drawing Sheets



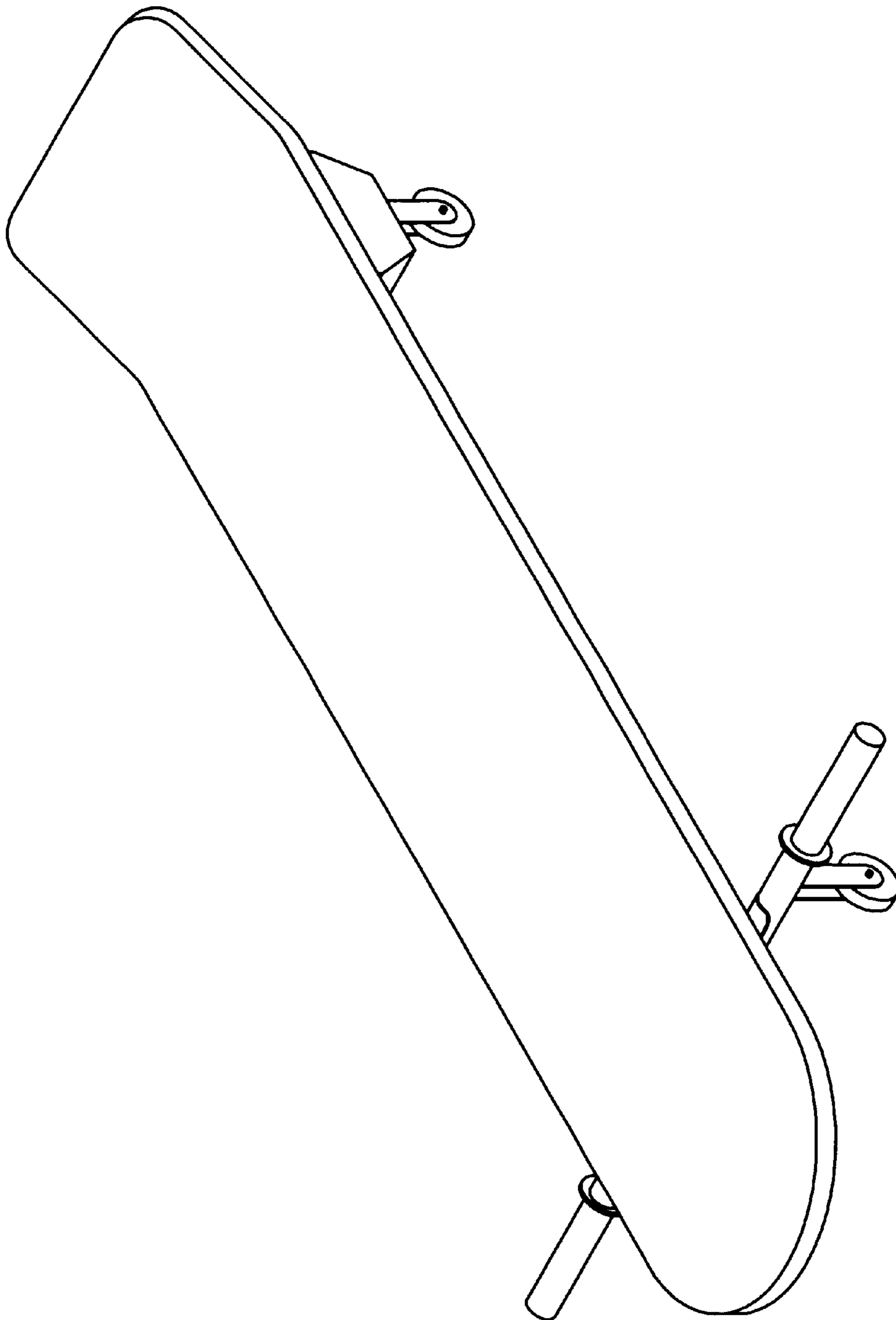


FIG. 1

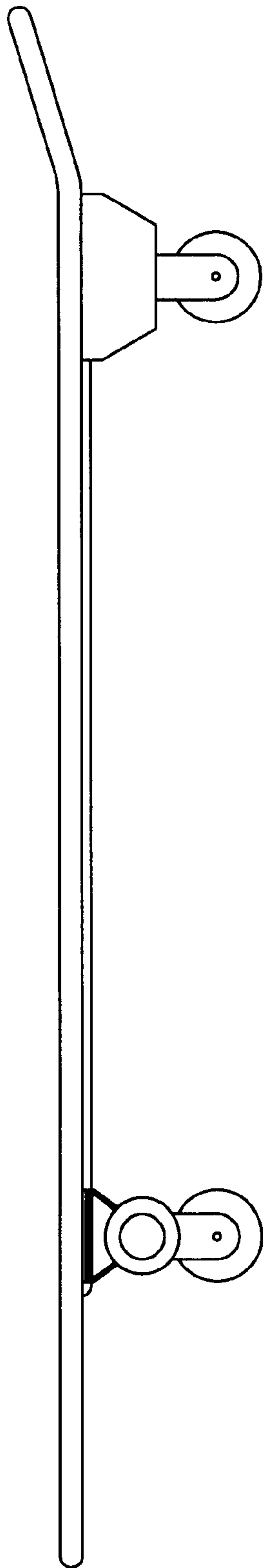


FIG. 2

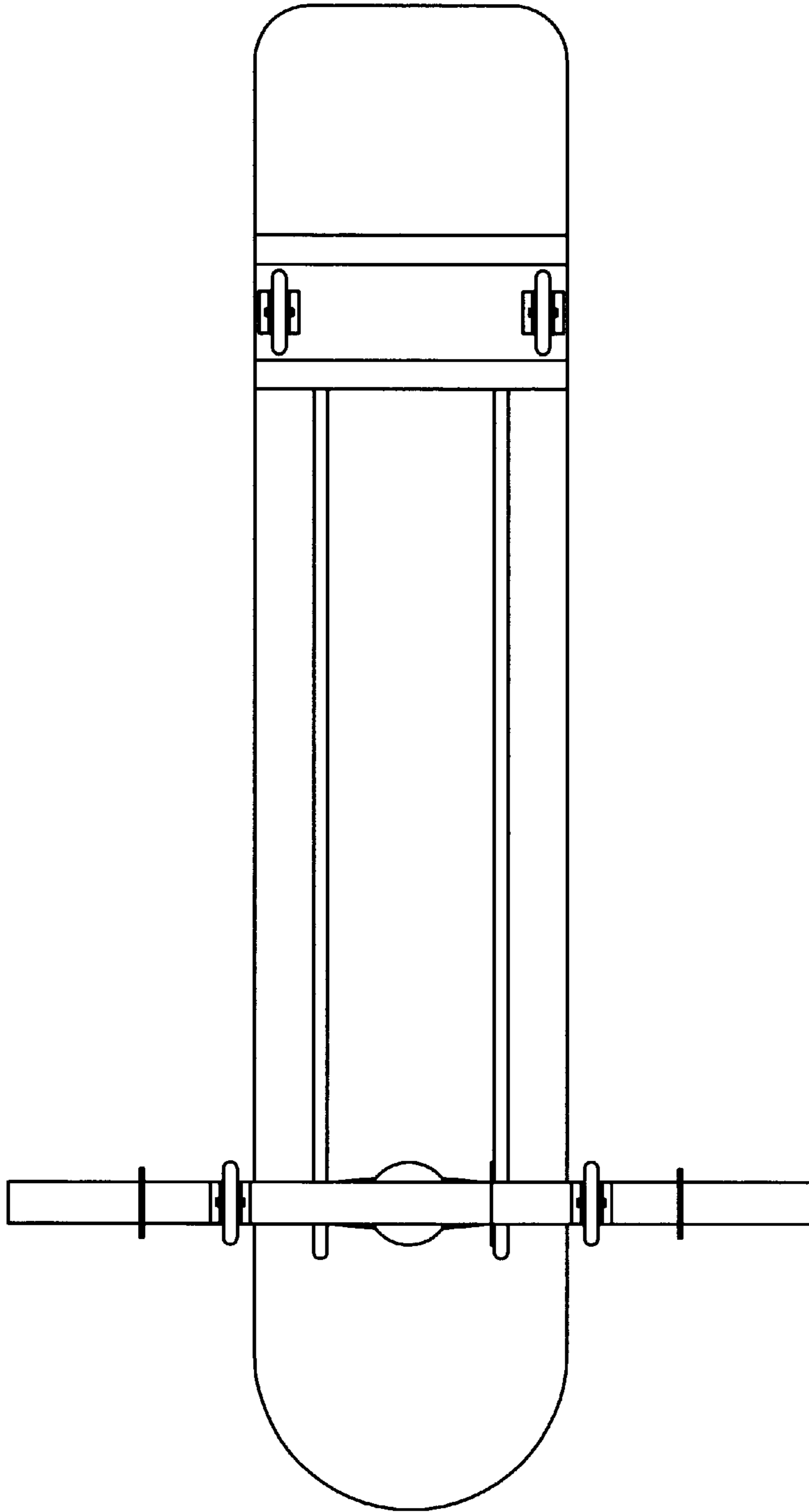


FIG. 3

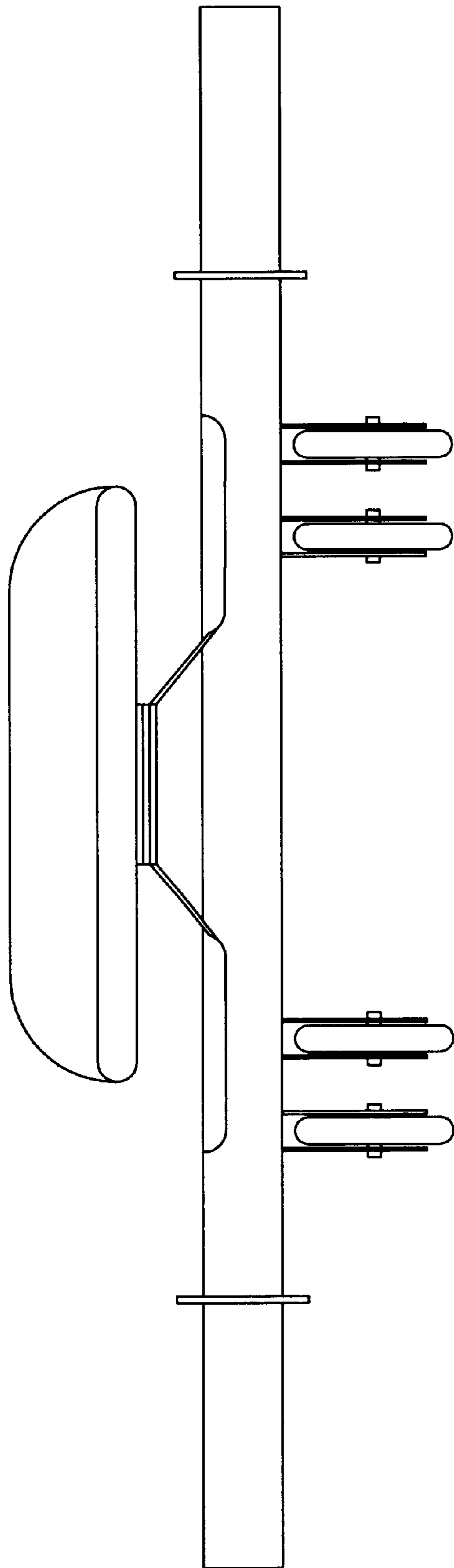


FIG. 4