



US00D468779S

(12) **United States Design Patent**
Manville et al.

(10) **Patent No.: US D468,779 S**

(45) **Date of Patent: ** Jan. 14, 2003**

(54) **CRAFT KIT CONSTRUCTION COMPONENT - CORNER-SLOTTED CUBE**

(75) Inventors: **Richard B. Manville**, Los Angeles, CA (US); **James P. Mills-Winkler**, Long Beach, CA (US)

(73) Assignee: **Mattel, Inc.**, El Segundo, CA (US)

(**) Term: **14 Years**

(21) Appl. No.: **29/157,926**

(22) Filed: **Mar. 26, 2002**

(51) **LOC (7) Cl. 21-01**

(52) **U.S. Cl. D21/499**

(58) **Field of Search D21/484-505; 446/85, 102-105, 106, 108-116, 117, 120-122, 124, 125, 127, 128; 52/604, 598**

(56) **References Cited**

U.S. PATENT DOCUMENTS

1,818,404	A	8/1931	Kaufman	
2,132,647	A	* 10/1938	Robins	
3,510,979	A	* 5/1970	Fischer	
3,513,590	A	* 5/1970	Fischer	
3,564,758	A	2/1971	Willis	
3,687,500	A	8/1972	Silvius	
3,747,261	A	* 7/1973	Salem	446/104
3,827,177	A	8/1974	Wengel	
3,855,748	A	12/1974	Thomas	
D235,570	S	* 6/1975	Barton	
D249,230	S	* 9/1978	Van Der Veken	
4,124,958	A	11/1978	Chiche	
4,169,332	A	* 10/1979	Fischer	
4,171,591	A	* 10/1979	Fischer	
4,291,512	A	9/1981	Walton	
4,334,868	A	6/1982	Levinrad	
4,365,454	A	12/1982	Davis	
D277,727	S	2/1985	Klaric	
4,557,091	A	12/1985	Auer	
D282,264	S	* 1/1986	Wiese	D21/499
D285,463	S	9/1986	Davis	
4,789,370	A	12/1988	Ellefson	
5,061,219	A	10/1991	Glickman	

5,069,647	A	* 12/1991	Zuviria	446/127
5,222,902	A	6/1993	Piersch	
5,470,139	A	11/1995	Hsiao	
5,472,365	A	12/1995	Engel	
5,647,181	A	7/1997	Hunts	
5,681,201	A	10/1997	Choi	
5,984,756	A	11/1999	Krog	
6,004,182	A	12/1999	Pasin	
D422,036	S	* 3/2000	Laserna	D21/499
D435,609	S	* 12/2000	Sorensen	D21/499
6,231,416	B1	5/2001	Clever et al.	

OTHER PUBLICATIONS

Photos 288-289, Building toy and case.
 Photo 290, LEGO Classic Building toy.
 Photos 291-293, Discovery Toys Bright Builders toy.
 Photo 294, K'NEX Jack Knife Big Rig Race Transport.
 Photos 295-296, LEGO Jack Stone Copter Transport.
 Photos 297-298, T.C. Timber Animal Beads.
 Photos 299-300, LEGO Team Transport building toy.
 Photo 301, Anatomics Dynamic building system.
 Photos 302-303, Creativity For Kins Funky Fab Door Curtain.
 Photo 304, Anatex Suction Cup Coaster.
 Photo 305, Construx Power Copters building system.
 Photo 306, Puff Beads bead set.
 Photo 307, Lisa Frank Bead Dreams bead set.
 Photo 308, Rexlace Plastic Craft Lacing.
 Photos 309-310, LEGO Alien of the Red Planet building toy.

(List continued on next page.)

Primary Examiner—Raphael Barkai
(74) *Attorney, Agent, or Firm*—Kolisch Hartwell, P.C.

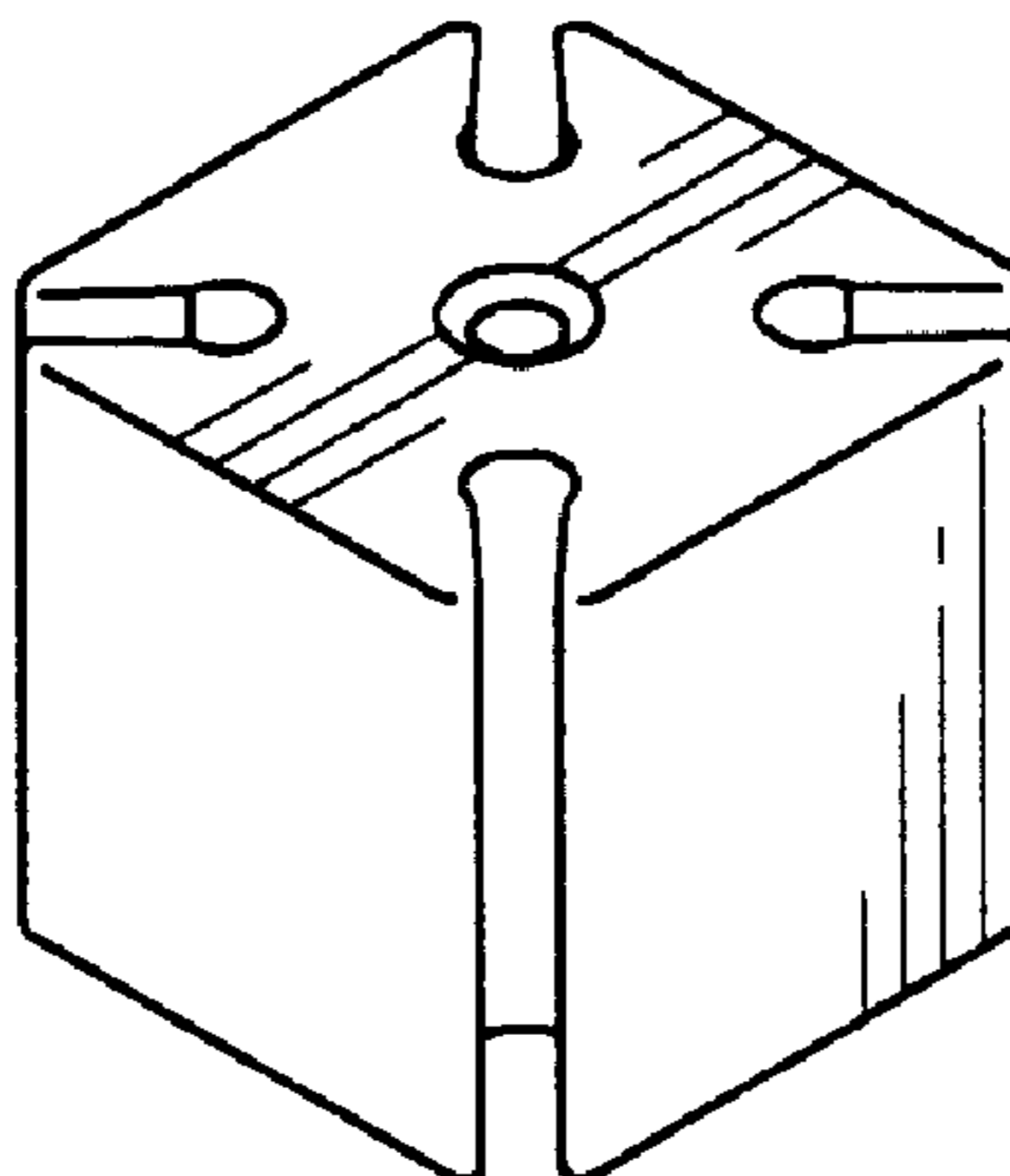
(57) **CLAIM**

The ornamental design for a design craft kit construction component - corner-slotted cube, as shown and described.

DESCRIPTION

FIG. 1 is a perspective view of the invention; and, FIG. 2 is a plan view of the invention.

1 Claim, 1 Drawing Sheet



OTHER PUBLICATIONS

Photo 311, Tinkertoy Construction Set.
Photos 312–313, Xtreme Sports Skatepark toy.
Photos 314–315, LEGO Creator building toy.
Photos 316–317, Hello Kitty playset.
Photo 318, S'GETTI Strings Activity Pack.
Photo 319, Lacing Set.
Photo 320, Hama beads.
Photo 321, Learning Resources Attributes Lacing Buttons set.

Photo 322, Creative Girls Hip Hemp bracelet set.
Photos 323–324, LEGO Belville building toy.
Photos 325–326, Playmobil prison tower building set.
Photo 327, LEGO System building toy.
Photos 328–329, K'NEX First Building set.
Photo 330, Creative Girls Power Beads set.
Photos 331–335, LEGO Duplo Wazo building set.
Photos 336–337, Pokémon Battle Figures Series 1 toys.
Photos 400–404, Pablo 3-D Stick Game.

* cited by examiner

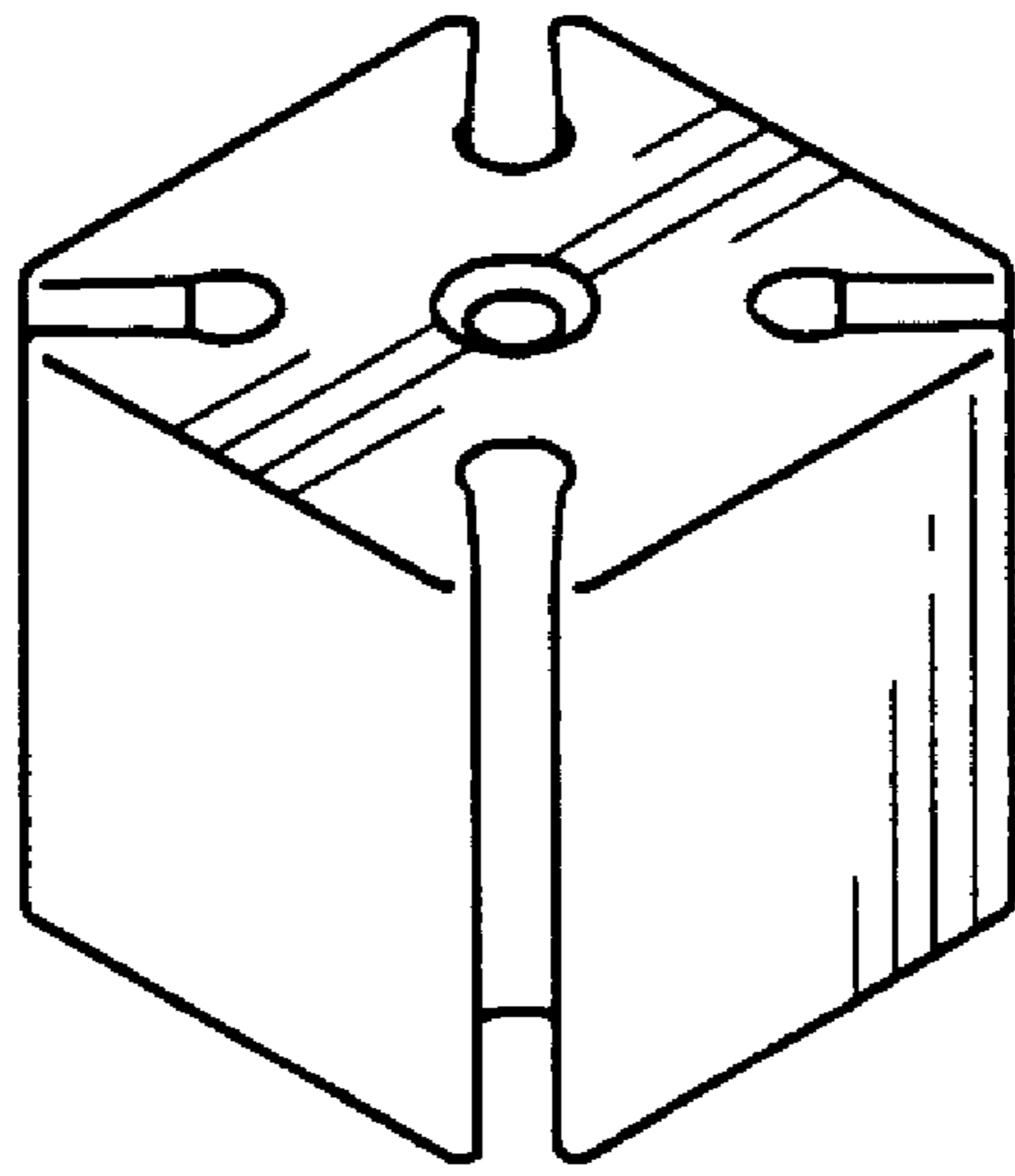


FIG. 1

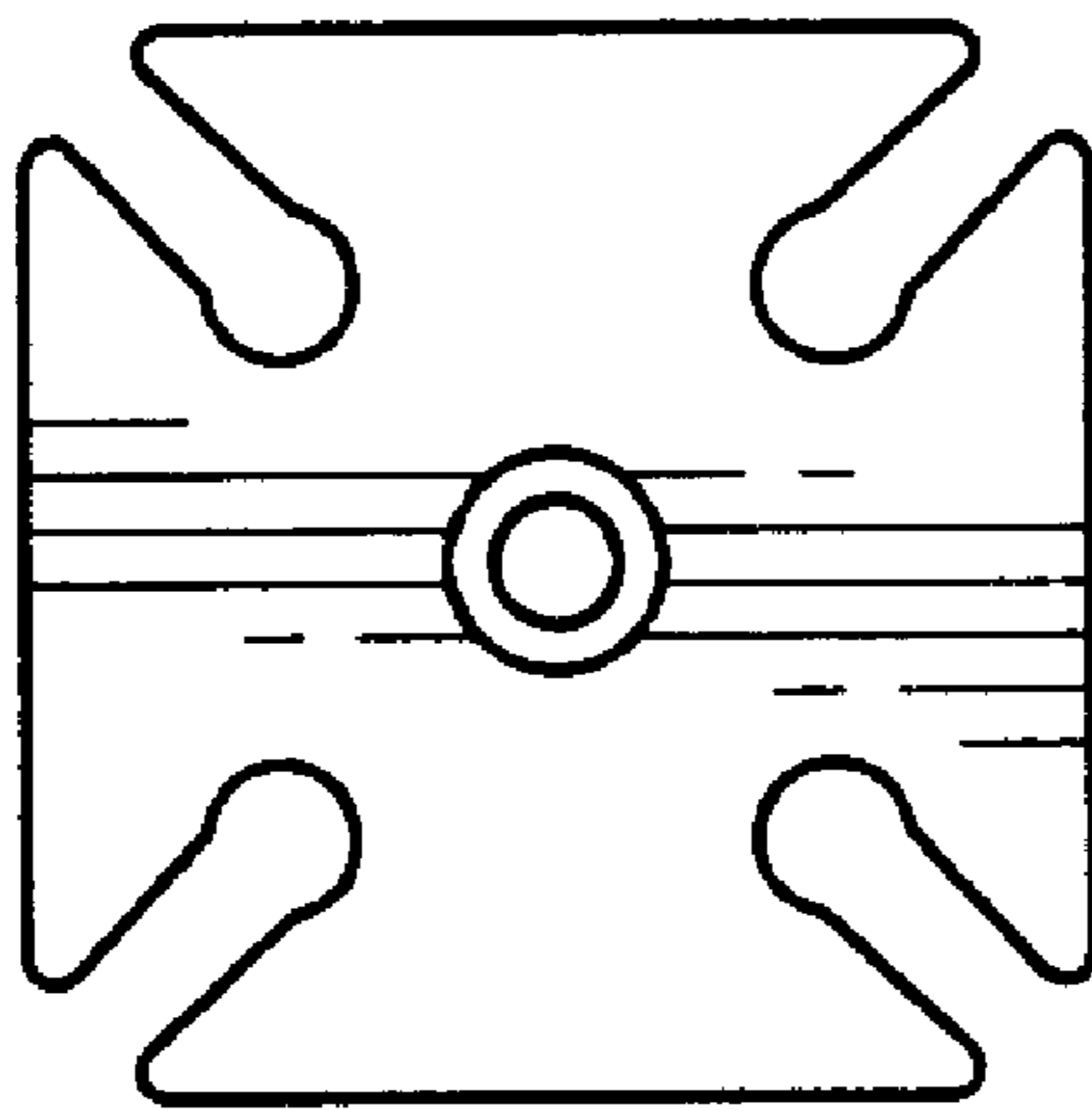


FIG. 2