



US00D468777S

(12) **United States Design Patent**
Wu

(10) **Patent No.:** **US D468,777 S**

(45) **Date of Patent:** **** Jan. 14, 2003**

(54) **BEACH CAR FOR CHILDREN**

(76) **Inventor:** **Jung-Jyh Wu**, No. 20, Da Yeou 1st Street, Da Lian Shiang, Kaohsiung Hsien (TW)

(**) **Term:** **14 Years**

(21) **Appl. No.:** **29/150,101**

(22) **Filed:** **Nov. 6, 2001**

(51) **LOC (7) Cl.** **21-01**

(52) **U.S. Cl.** **D21/432**

(58) **Field of Search** D21/419-435,
D21/533, 538, 549, 550, 551; D12/87,
88, 107, 110, 112, 113; 446/440, 454, 456,
465, 470; 280/87.01, 87.021, 282; 180/233,
311, 315, 225, 229

(56) **References Cited**

U.S. PATENT DOCUMENTS

D327,512 S * 6/1992 Harrod
D423,059 S * 4/2000 Chuan D21/432
D423,413 S * 4/2000 Wu et al. D12/107

D423,603 S * 4/2000 Tasy D21/433
D425,452 S * 5/2000 Mon et al. D12/107
D427,942 S * 7/2000 Cho et al. D12/107
D445,843 S * 7/2001 Tse D21/432

* cited by examiner

Primary Examiner—Raphael Barkai

(74) *Attorney, Agent, or Firm*—Rosenberg, Klein & Lee

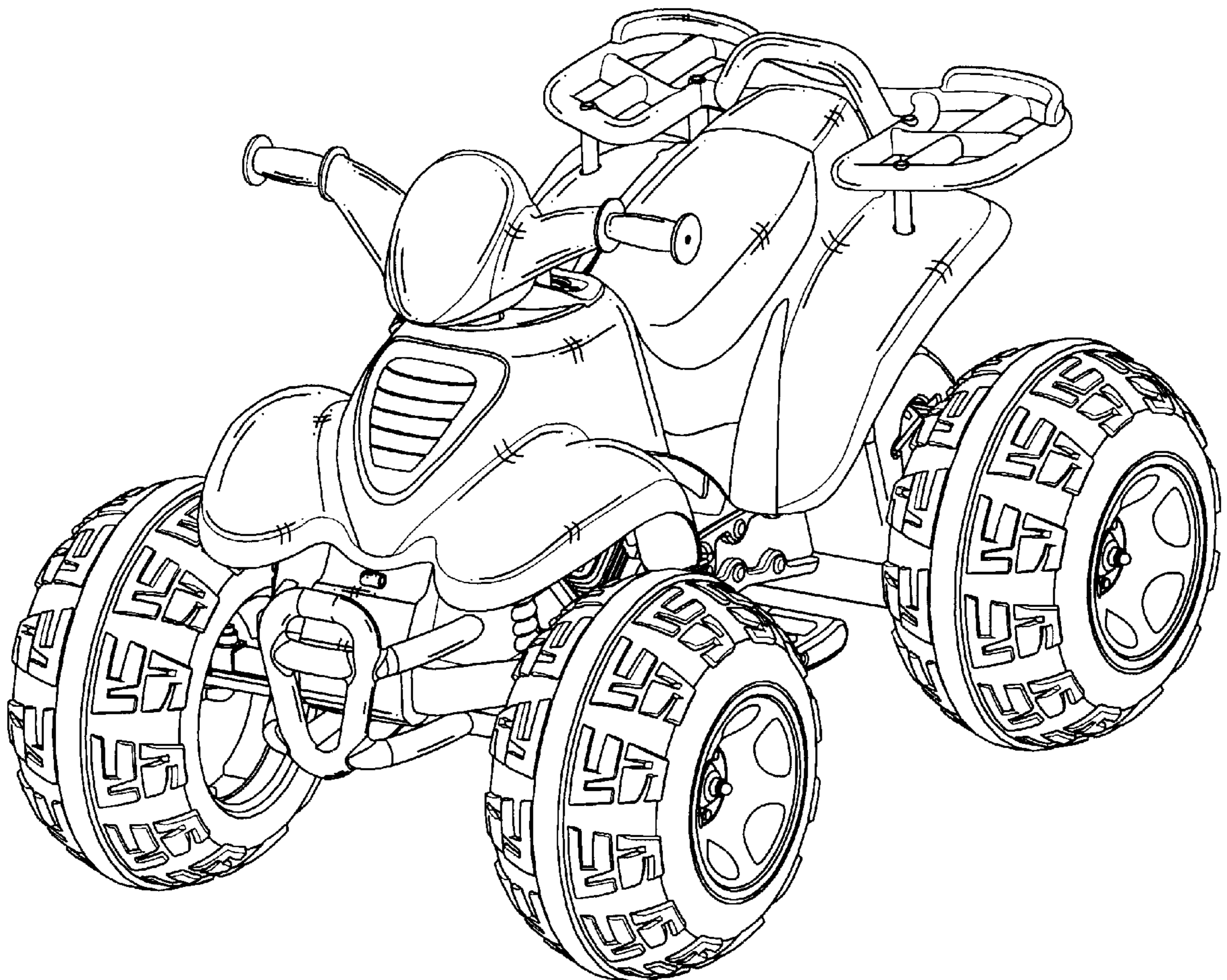
(57) **CLAIM**

The ornamental design for a beach car for children, as shown and described.

DESCRIPTION

FIG. 1 is a perspective view of a beach car for children showing my design;
FIG. 2 is a front elevational view thereof;
FIG. 3 is rear elevational view thereof;
FIG. 4 is a left elevational view thereof;
FIG. 5 is a right elevational view thereof;
FIG. 6 is a top plan view thereof; and,
FIG. 7 is a bottom plan view thereof.

1 Claim, 7 Drawing Sheets



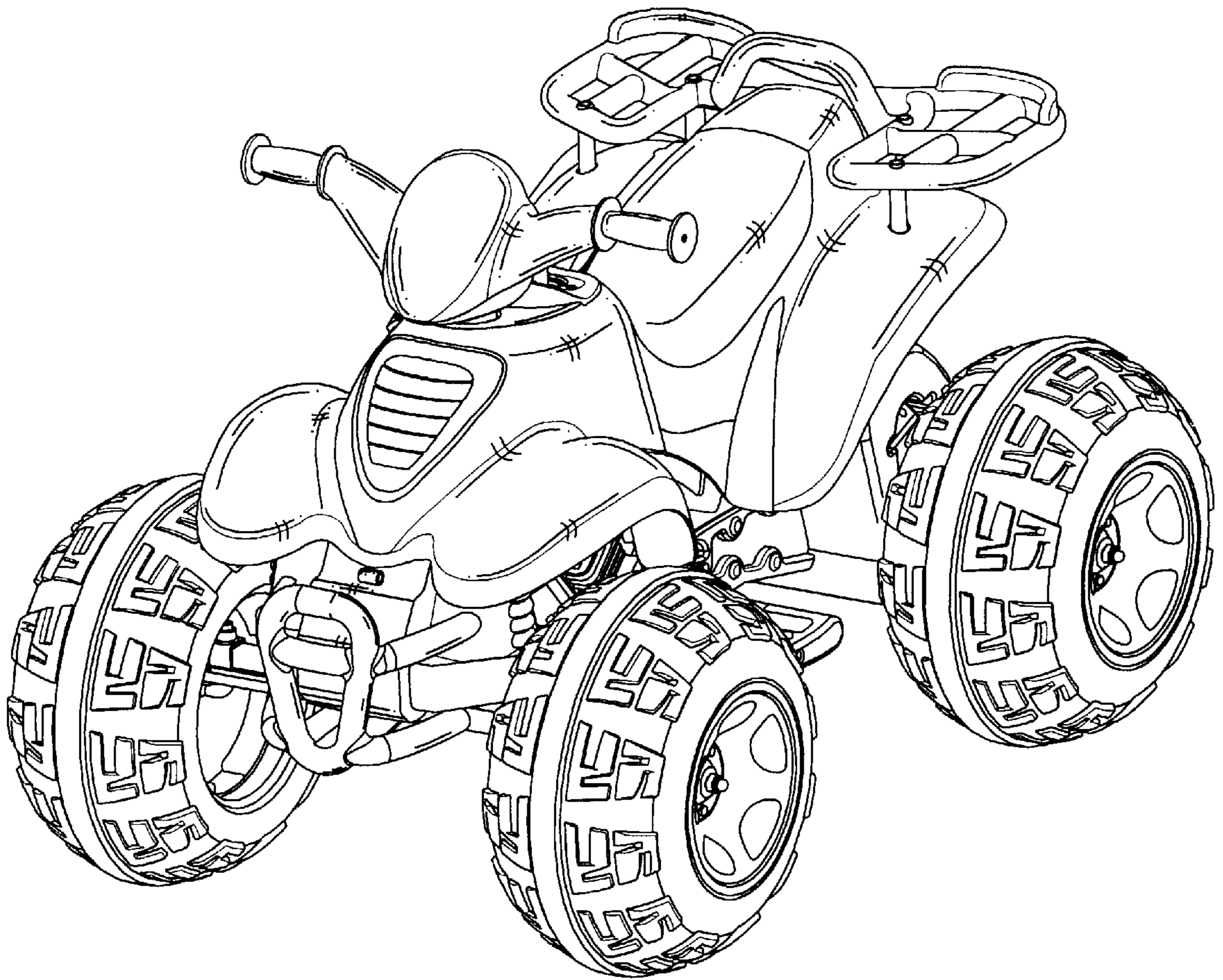


Fig. 1

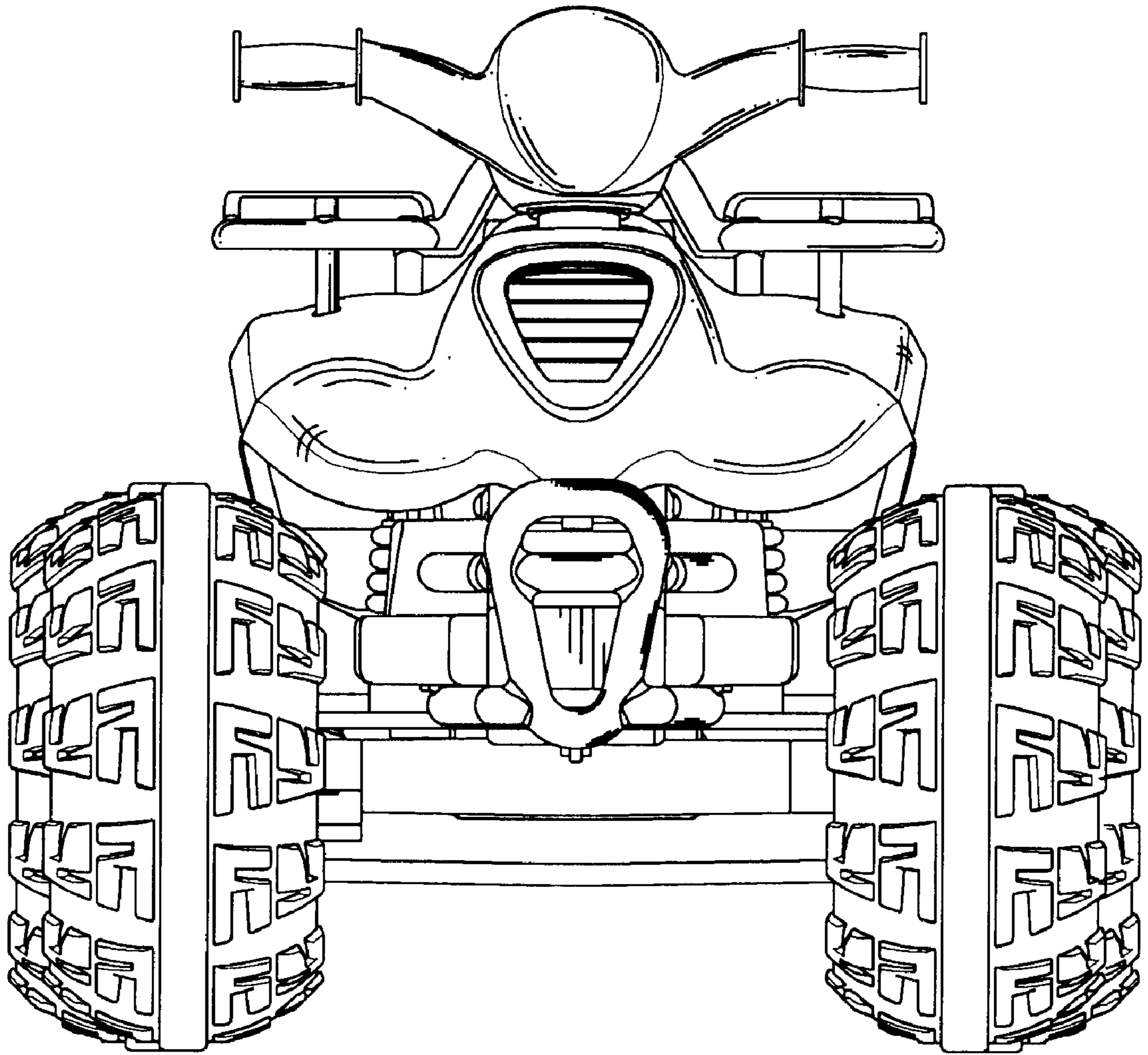


Fig. 2

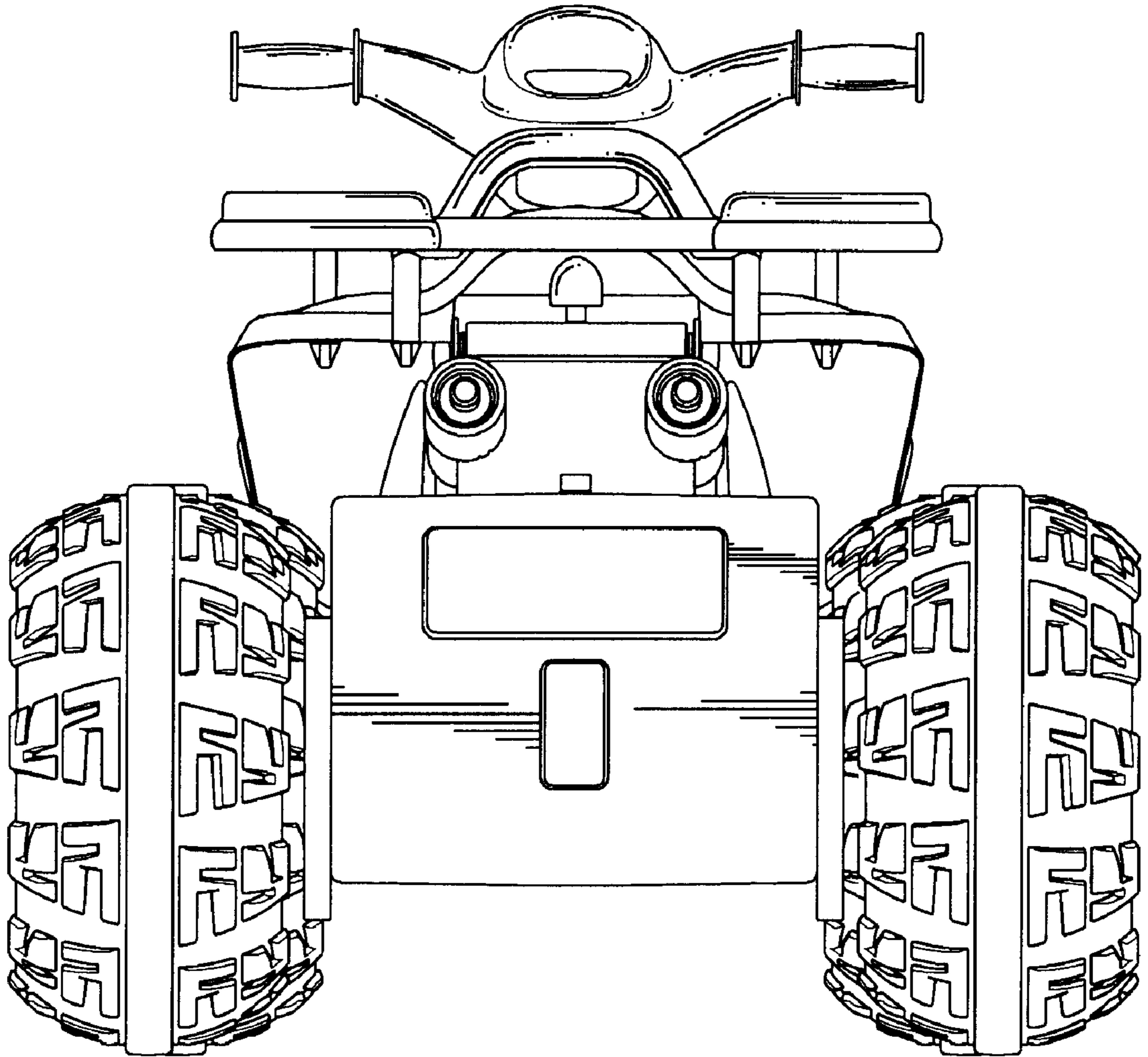


Fig. 3

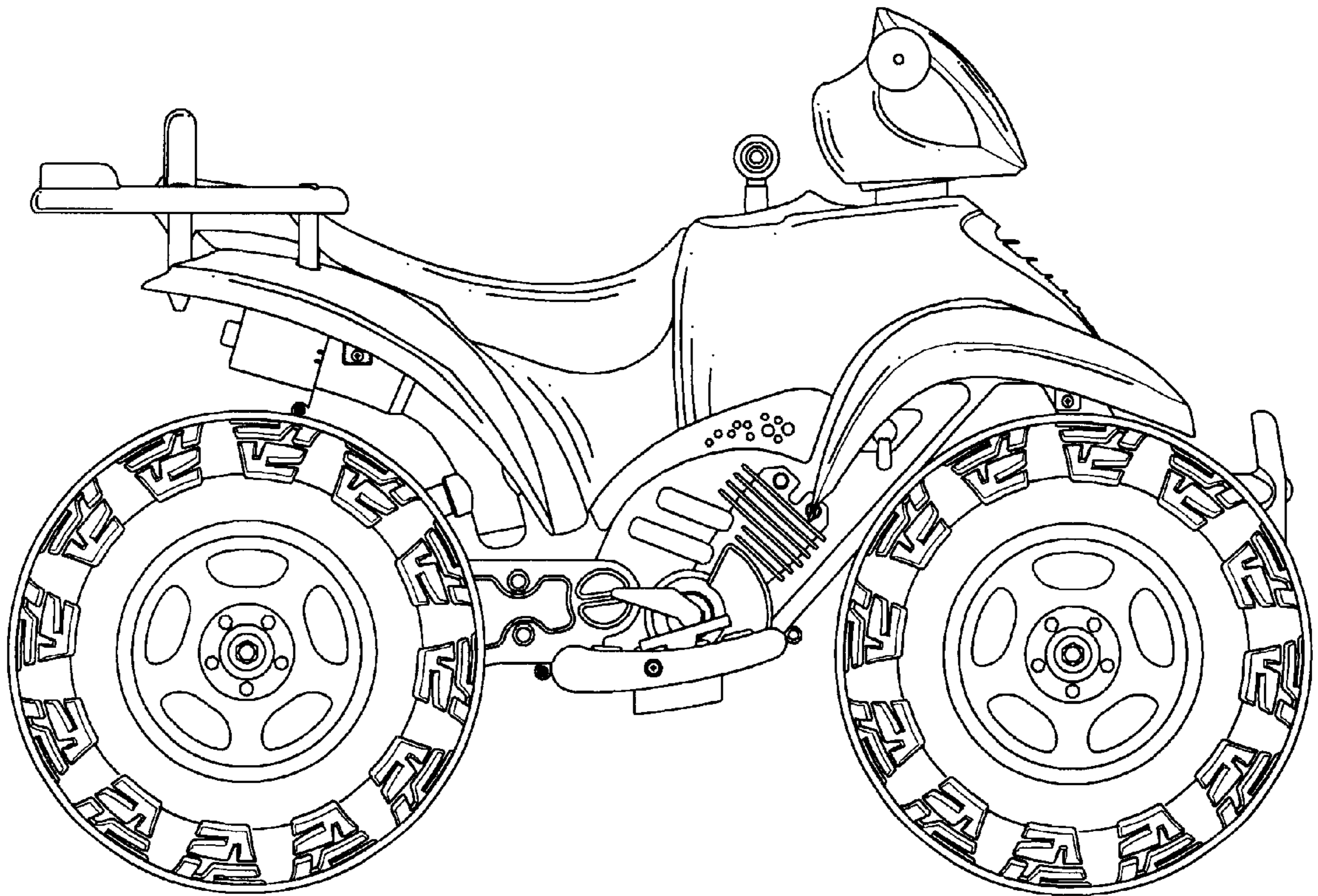


Fig. 4

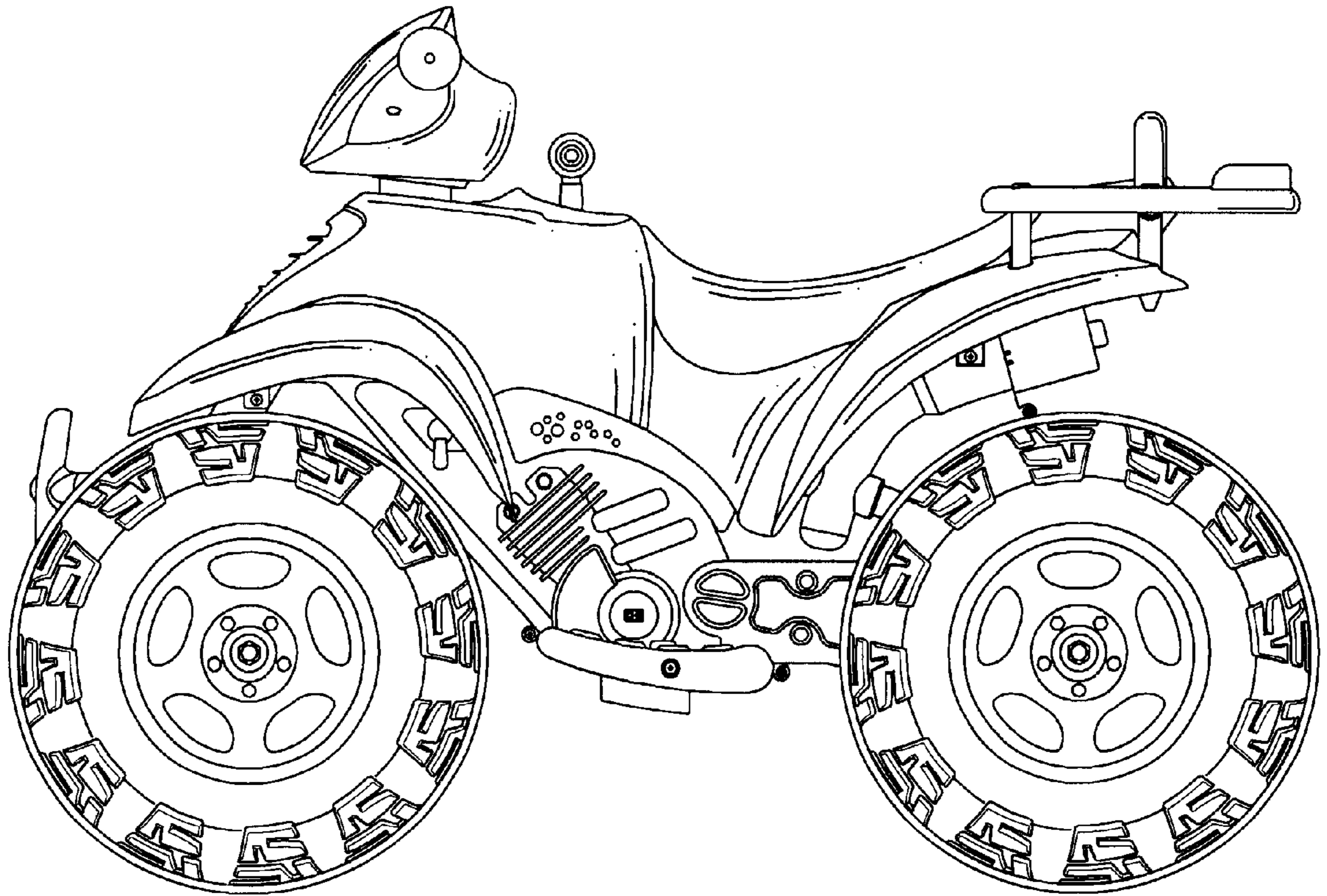


Fig. 5

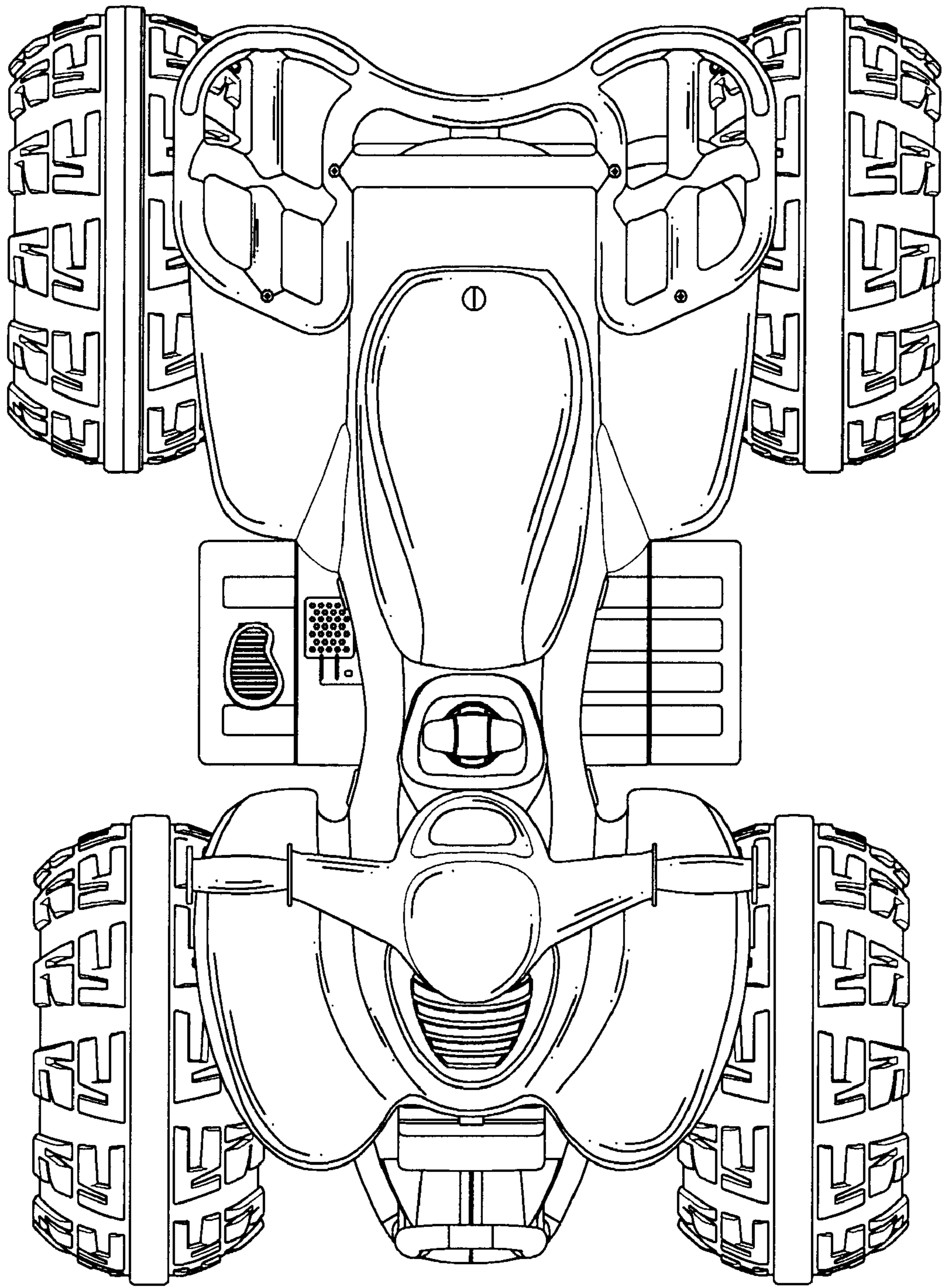


Fig. 6

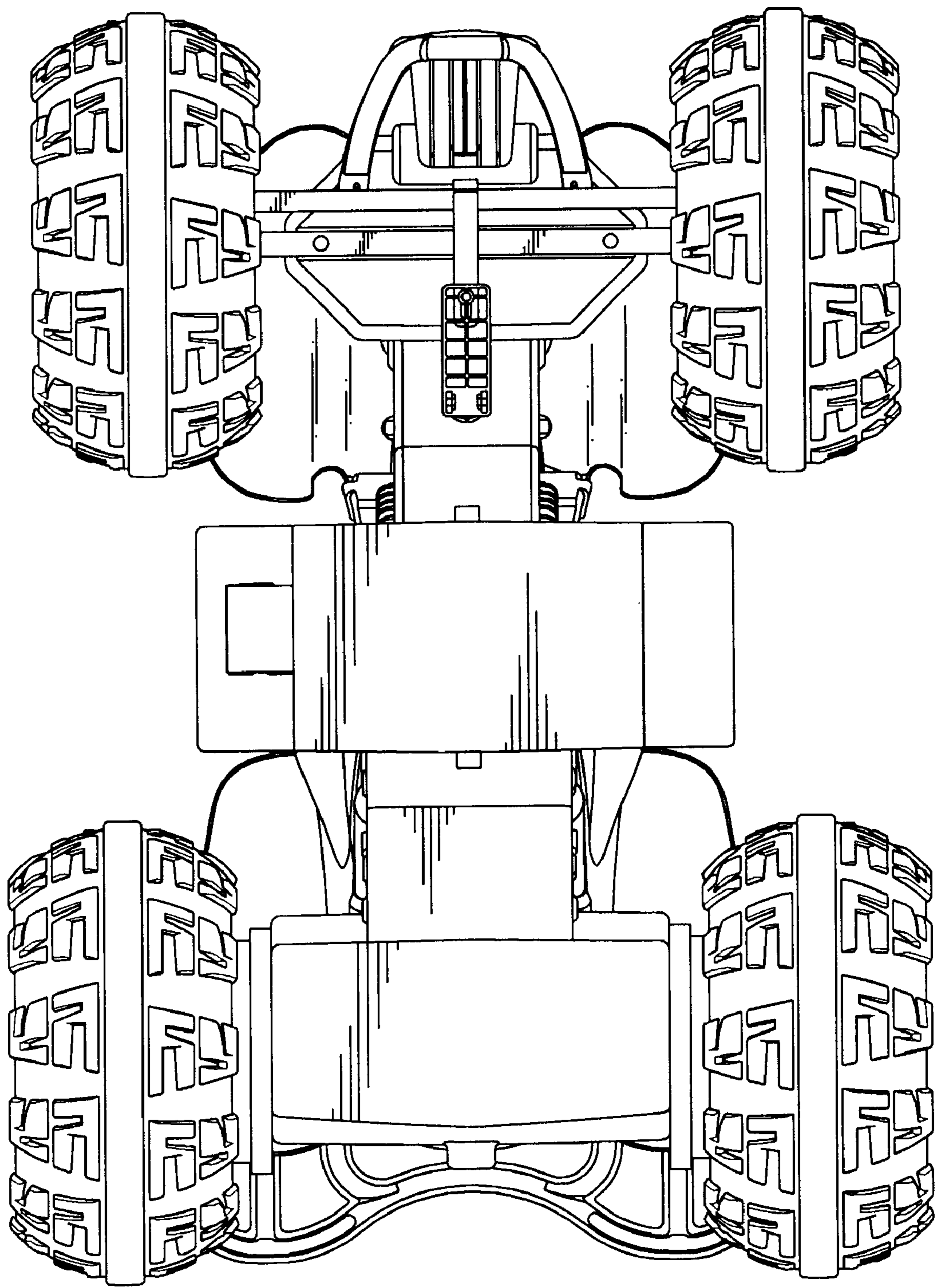


Fig. 7