



US00D468776S

(12) **United States Design Patent**  
**Oliver et al.**

(10) **Patent No.:** **US D468,776 S**  
(45) **Date of Patent:** **\*\* Jan. 14, 2003**

(54) **GAME TABLE**

(76) Inventors: **Virginia M. Oliver**, 3605 Oak Point Blvd., Kissimmee, FL (US) 34746;  
**Heric A. Oliver**, 3605 Oak Point Blvd., Kissimmee, FL (US) 34746

(\*\*) Term: **14 Years**

(21) Appl. No.: **29/156,049**

(22) Filed: **Feb. 22, 2002**

(51) **LOC (7) Cl.** ..... **21-01**

(52) **U.S. Cl.** ..... **D21/397; D6/429**

(58) **Field of Search** ..... **D21/334-368, D21/396, 397; D6/429, 469; 273/236-285, 148 R, 309**

(56) **References Cited**

**U.S. PATENT DOCUMENTS**

1,568,154	A	*	1/1926	Hannon et al.	.....	273/309
D96,986	S	*	9/1935	Jewell	.....	D21/397
D154,351	S	*	6/1949	Warner	.....	D21/397
3,899,178	A	*	8/1975	Watanabe	.....	273/309
D252,659	S	*	8/1979	Brickman	.....	D6/429
5,405,146	A	*	4/1995	Washington	.....	273/309
D388,638	S	*	1/1998	Ludlam et al.	.....	D6/429
6,398,642	B1	*	6/2002	Kim	.....	273/237

**OTHER PUBLICATIONS**

Popper Adult Games Catalog p. 4, No. 130 Folding Backgammon Table Set.\*

1966 Selchow & Righter Co. Game Catalog, cover, "Scrabble" game board.\*

\* cited by examiner

*Primary Examiner*—Sandra L. Morris

(57) **CLAIM**

The ornamental design for a game table, as shown and described.

**DESCRIPTION**

FIG. 1 is a front elevational view of a game table showing our new design;

FIG. 2 is a rear elevational view thereof;

FIG. 3 is a side view, taken from the left side of FIG. 1, the right side view being a mirror image thereof;

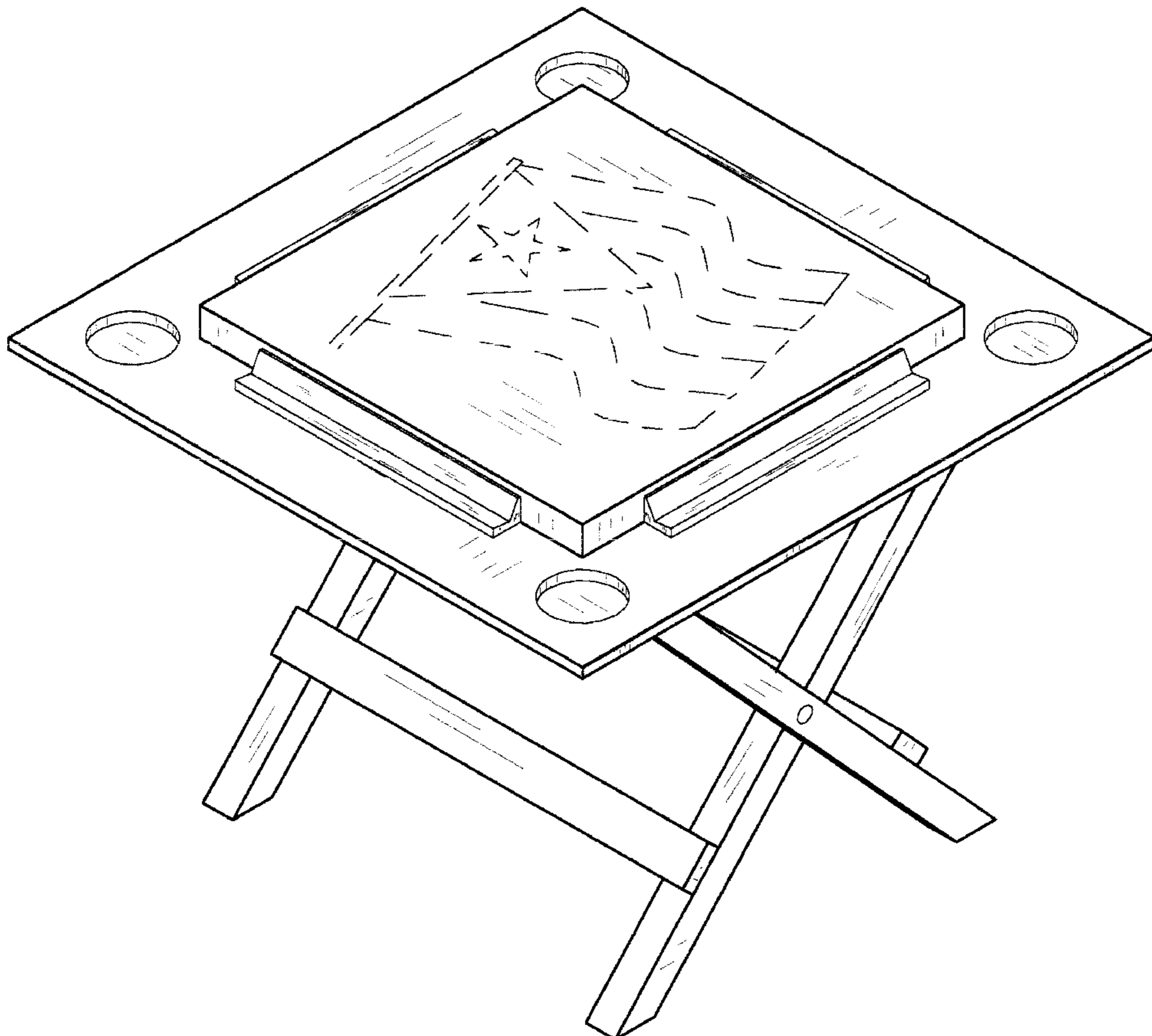
FIG. 4 is a top plan view thereof;

FIG. 5 is a bottom plan view thereof; and,

FIG. 6 is a perspective view of our new the game table of our design.

The broken line showing a flag in FIG. 4 and in FIG. 6 is for illustrative purposes only and forms no part of our claimed design.

**1 Claim, 4 Drawing Sheets**



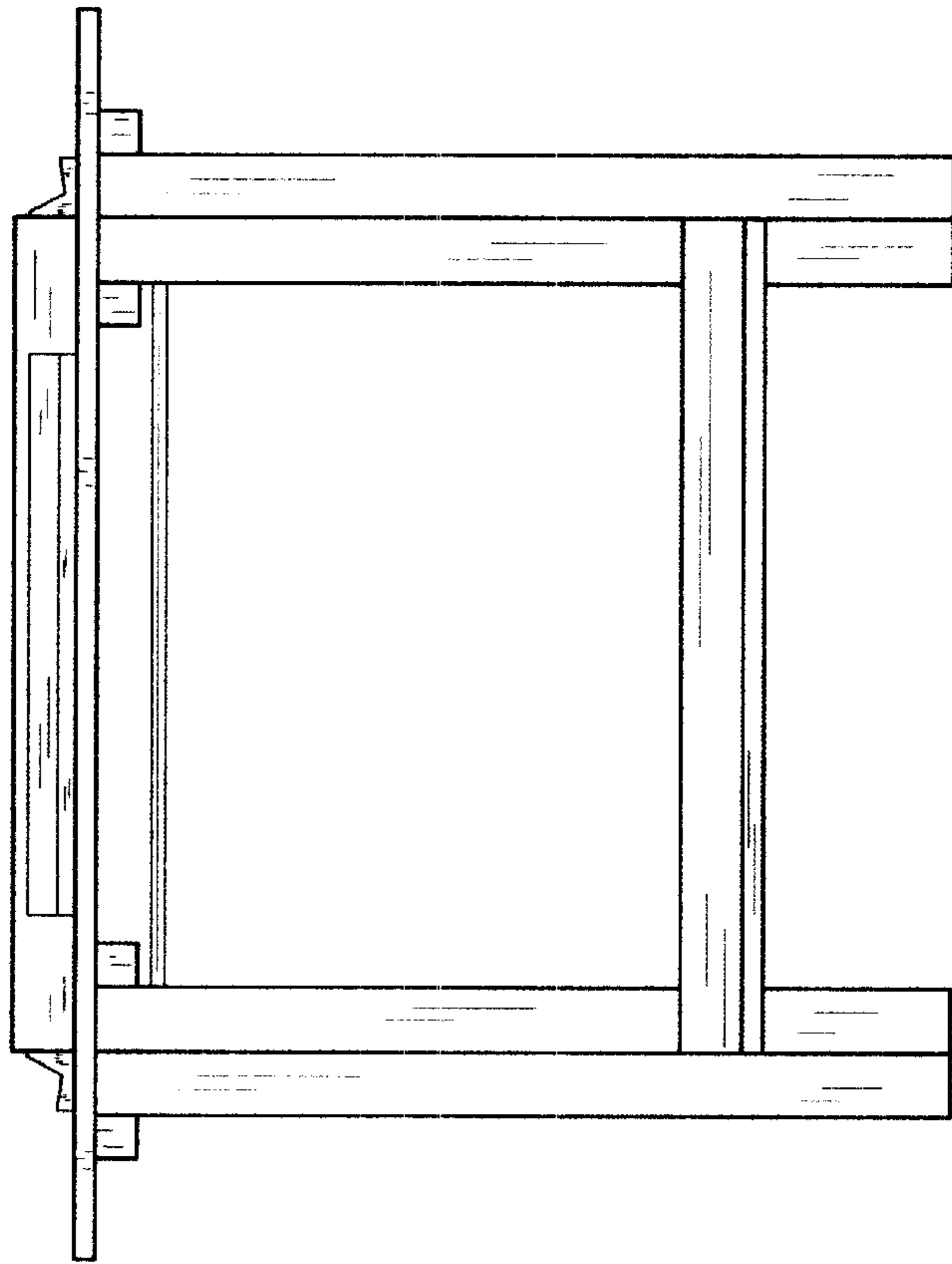


FIG. 1

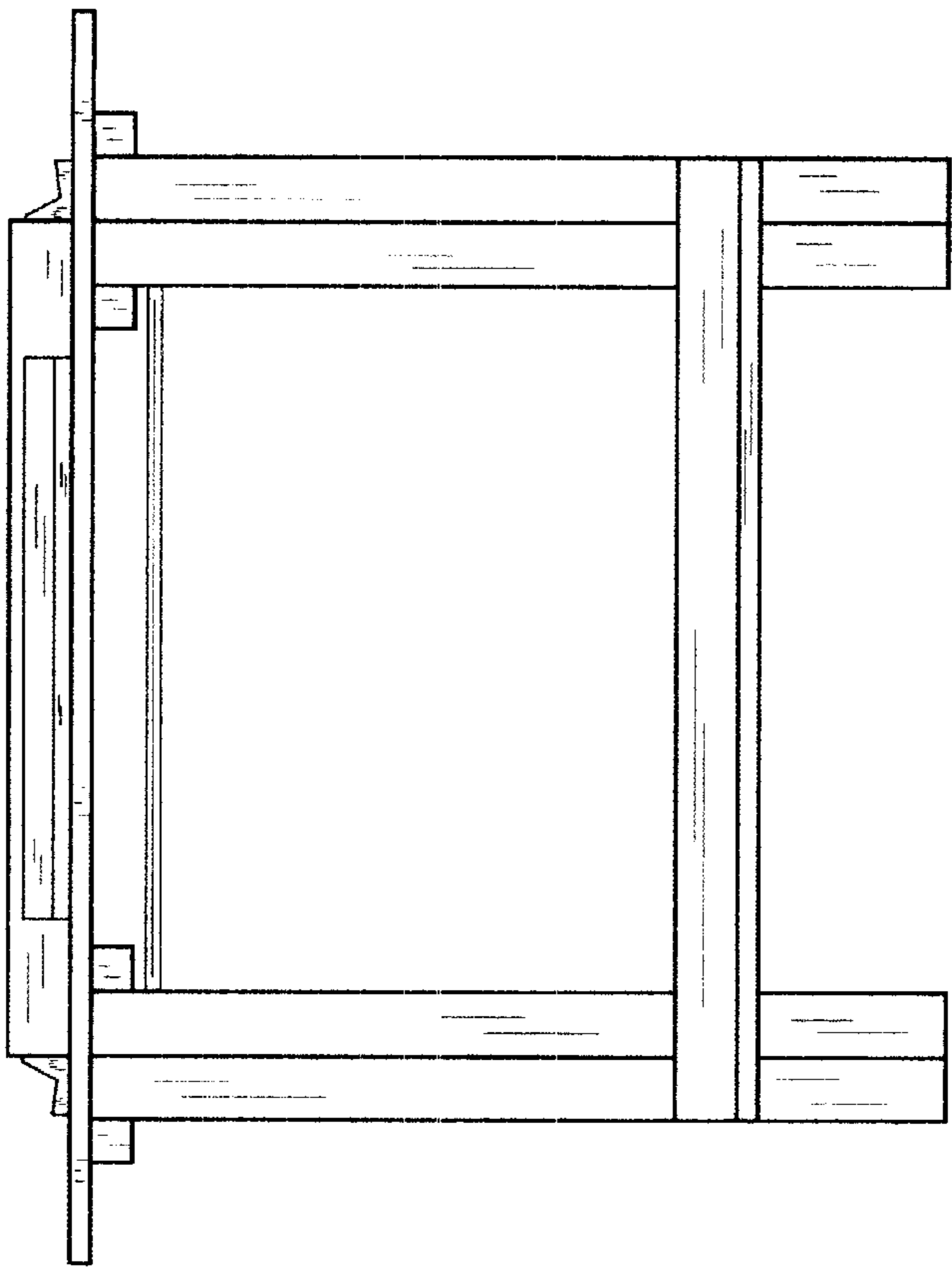


FIG. 2

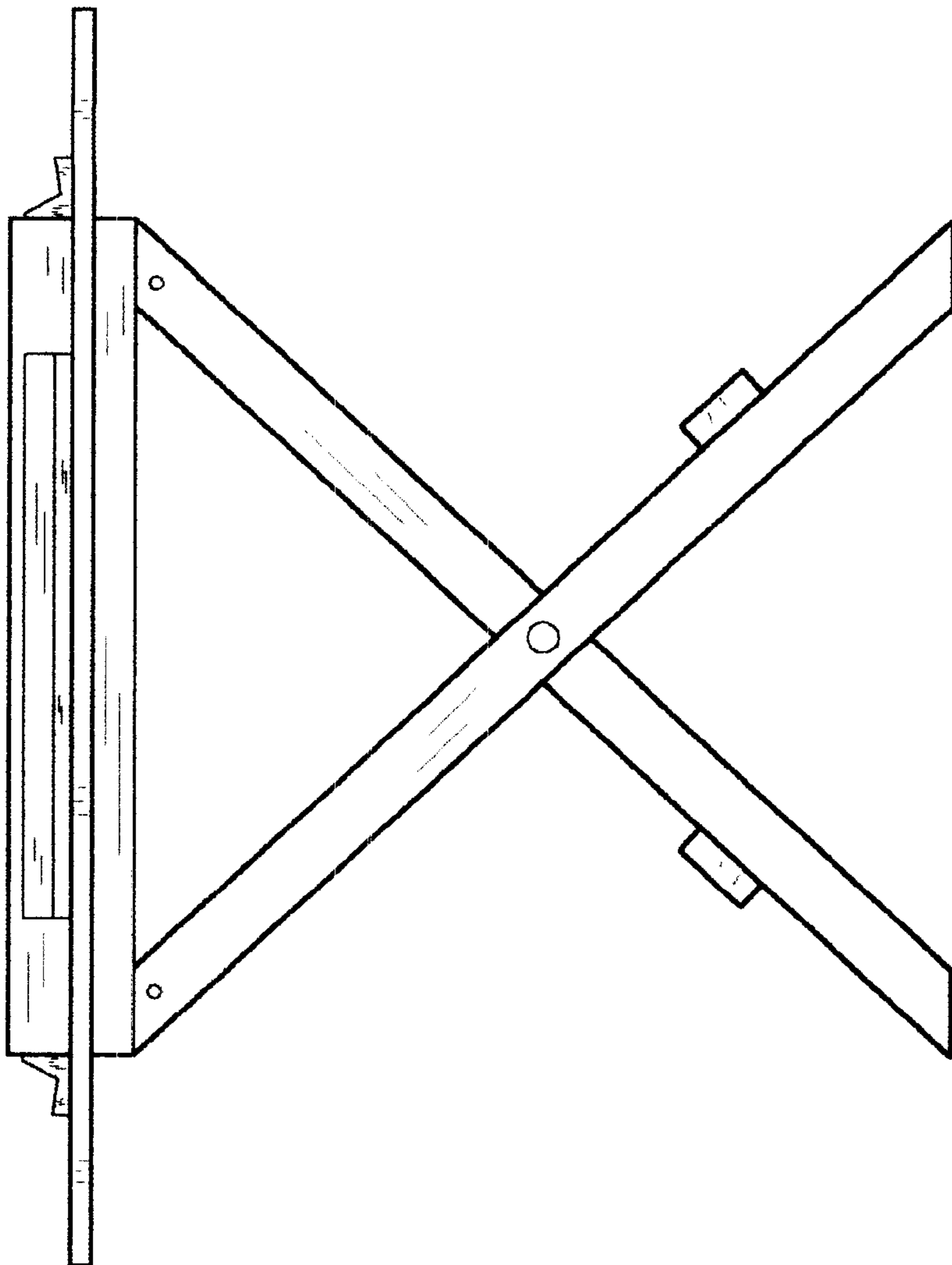


FIG. 3

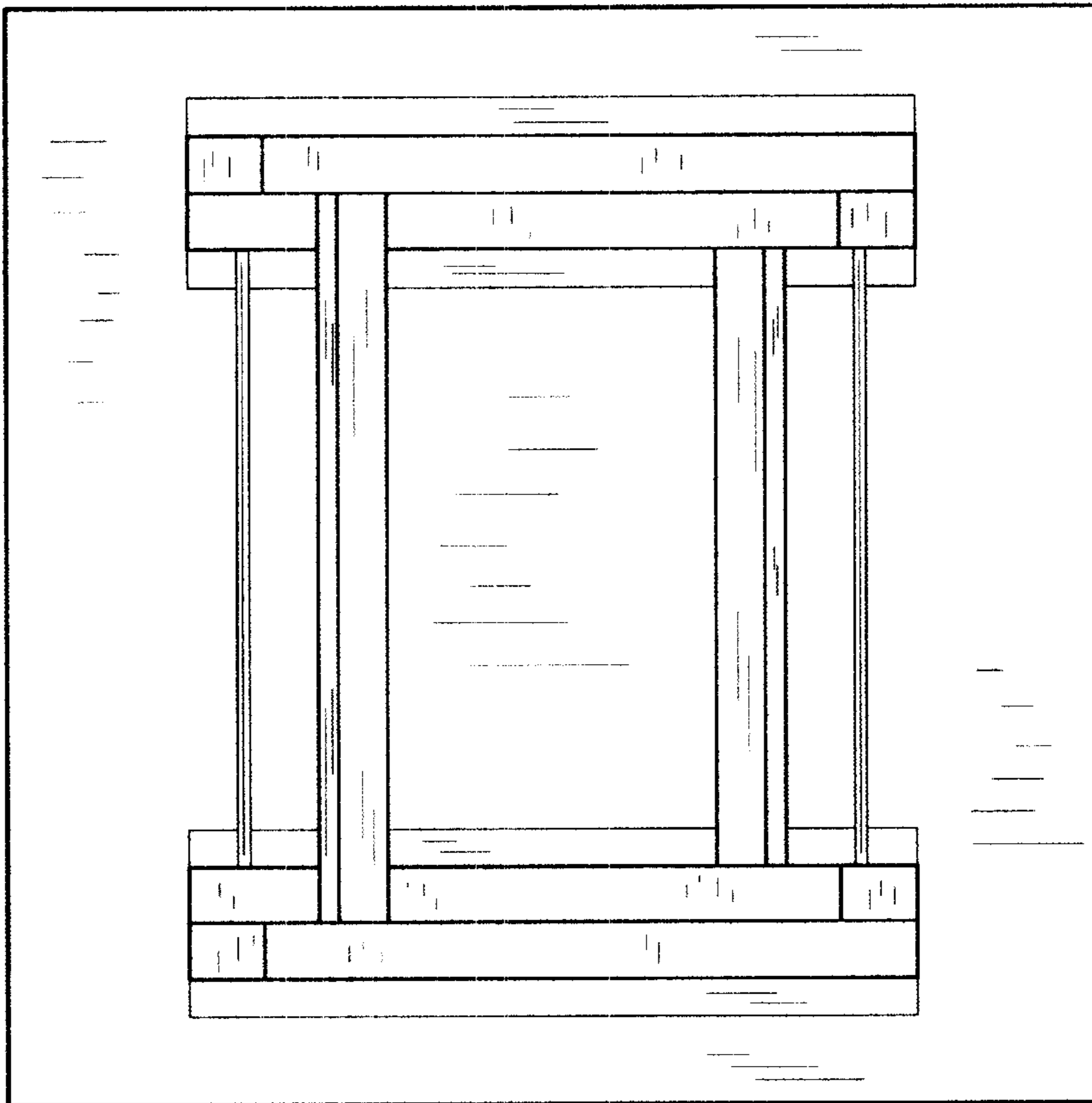


FIG. 5

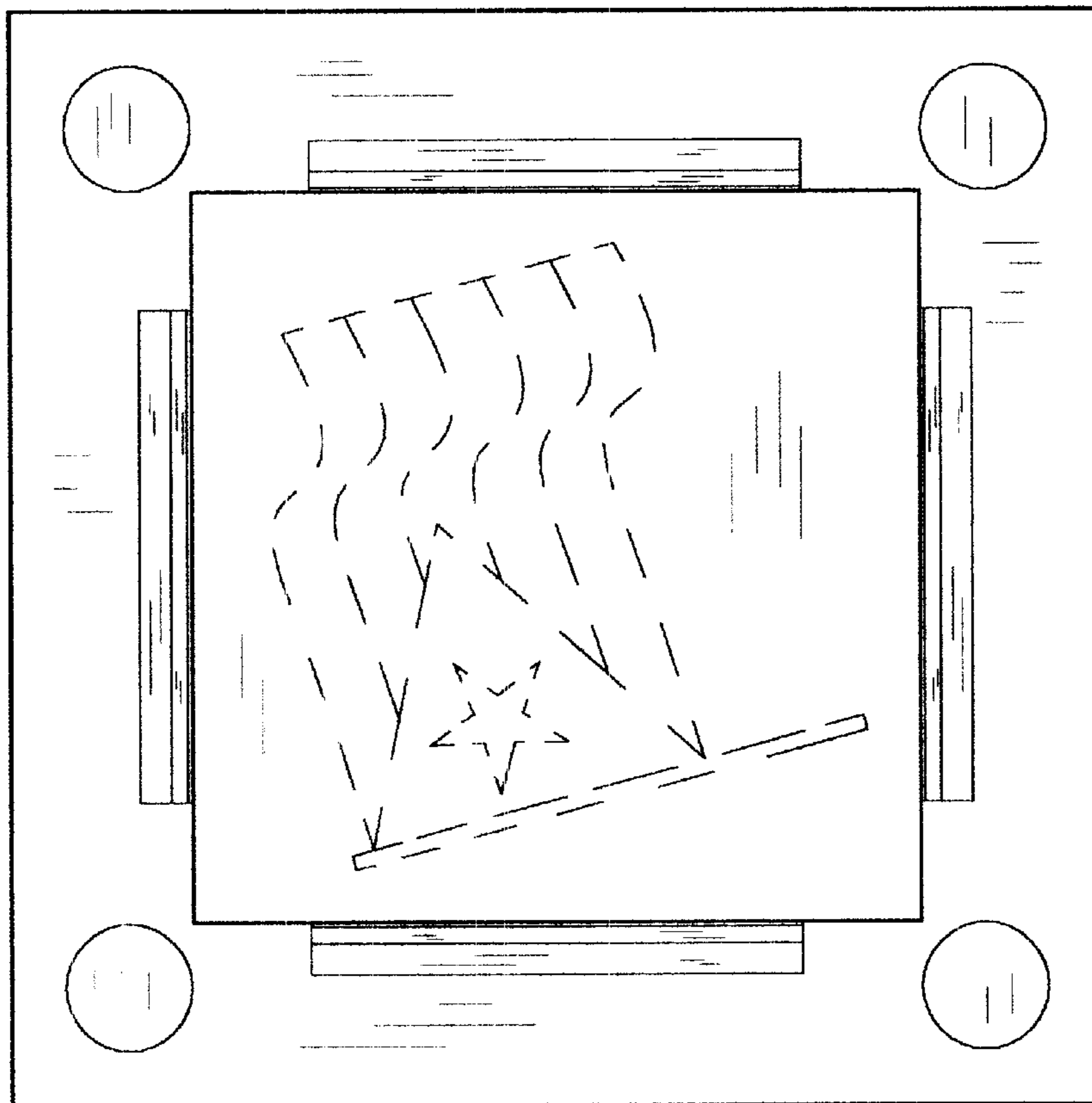


FIG. 4

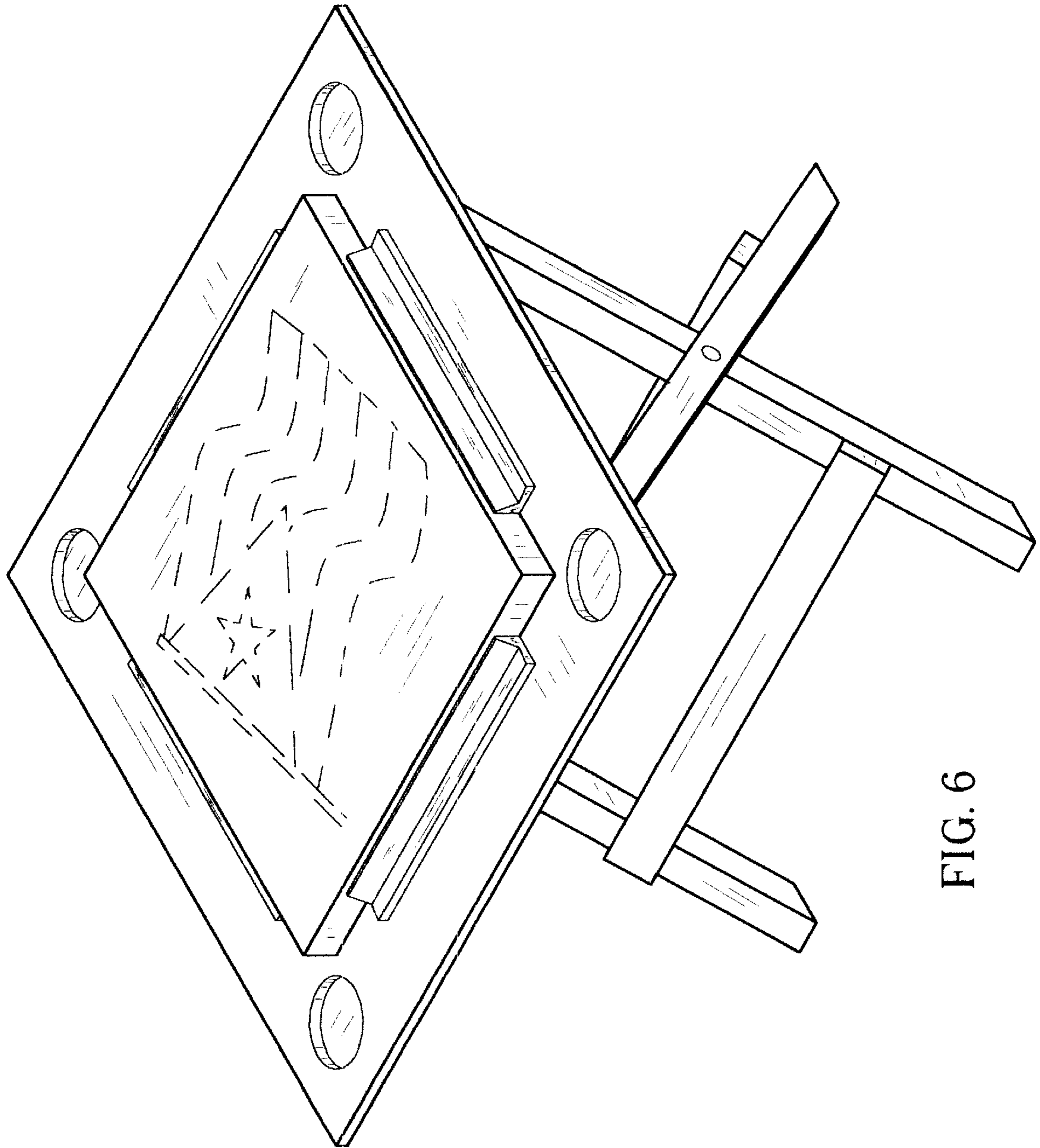


FIG. 6