



US00D468774S

(12) **United States Design Patent**
Demster, Jr.

(10) **Patent No.:** **US D468,774 S**

(45) **Date of Patent:** **** Jan. 14, 2003**

(54) **STREET SIGN**

D276,736 S * 12/1984 Maya et al. D20/17

(76) **Inventor:** **Charles M. Demster, Jr.**, 1308
Cardinal Dr., Warsaw, IN (US) 46580

* cited by examiner

(**) **Term:** **14 Years**

Primary Examiner—Robert M. Spear
(74) *Attorney, Agent, or Firm*—Krieg DeVault Lundy LLP

(21) **Appl. No.:** **29/148,420**

(57) **CLAIM**

(22) **Filed:** **Sep. 19, 2001**

The ornamental design for a street sign, as shown and described.

(51) **LOC (7) Cl.** **20-03**

DESCRIPTION

(52) **U.S. Cl.** **D20/17**

(58) **Field of Search** D20/10, 17, 41,
D20/99; D6/411-415, 458; 211/13.1; 312/204;
40/369, 612

FIG. 1 is a top perspective view of a street sign, showing my new design;

FIG. 2 is a fragmentary perspective view of the top portion of the street sign of FIG. 1, shown removed from the sign for ease of disclosure; and,

FIG. 3 is a top plan view thereof.

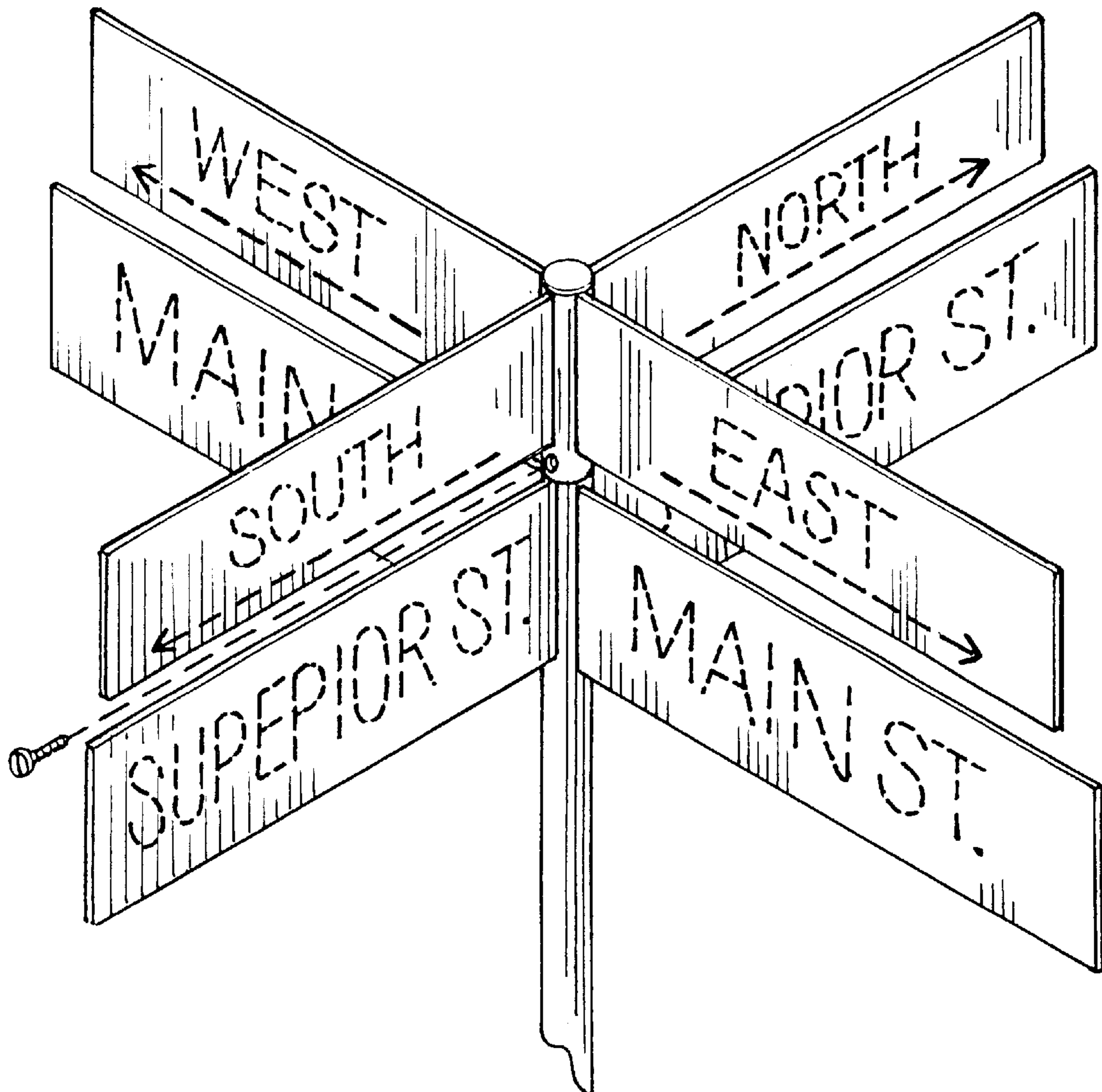
The broken lines in the drawings depict environmental structure, which forms no part of the claimed design.

(56) **References Cited**

U.S. PATENT DOCUMENTS

- D53,545 S * 7/1919 Widmer D20/17
- D68,745 S * 11/1925 Thompson D20/17
- D71,038 S * 9/1926 Underwood D20/17
- D188,034 S * 5/1960 Immerman D20/41

1 Claim, 2 Drawing Sheets



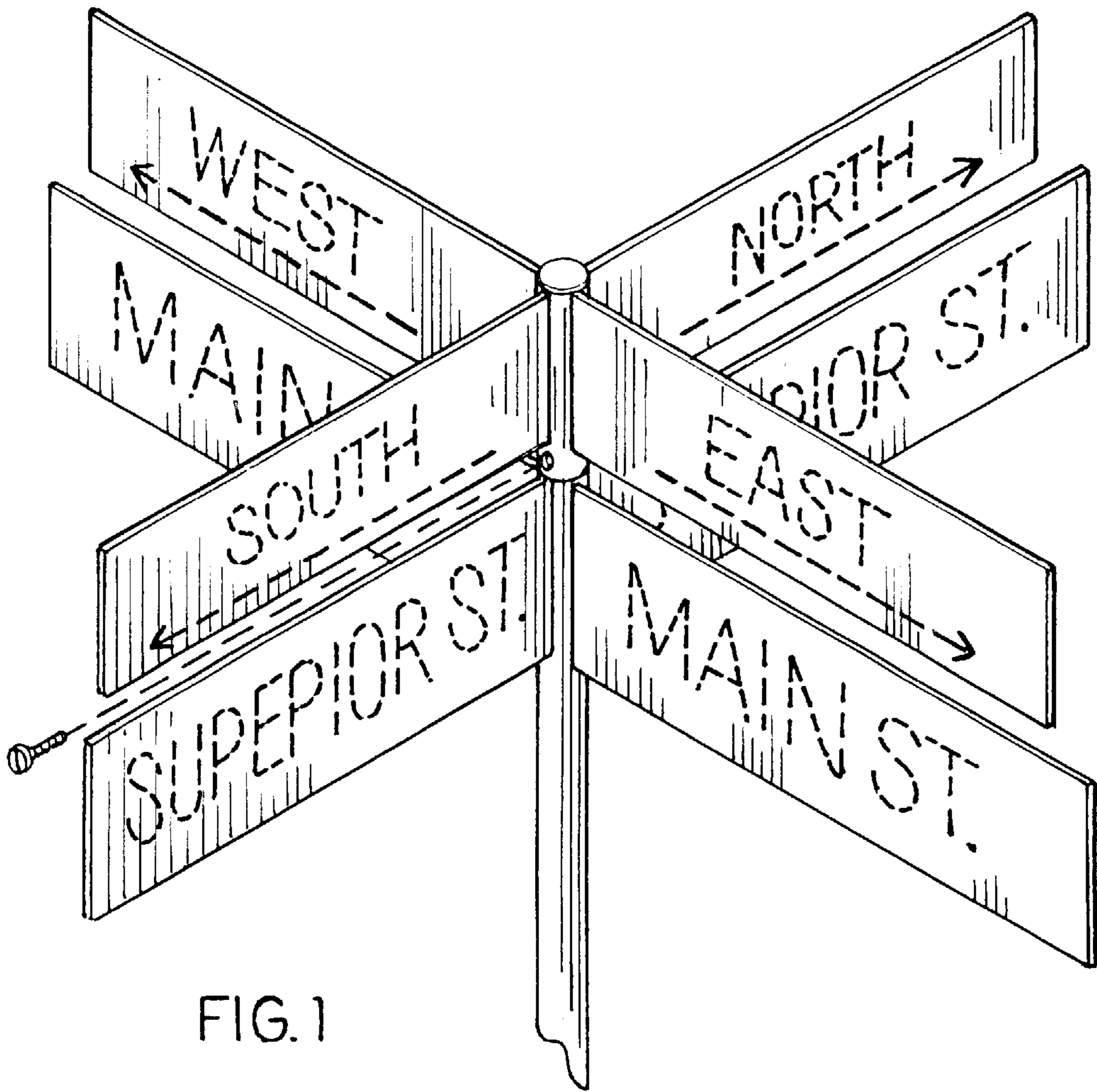


FIG. 1

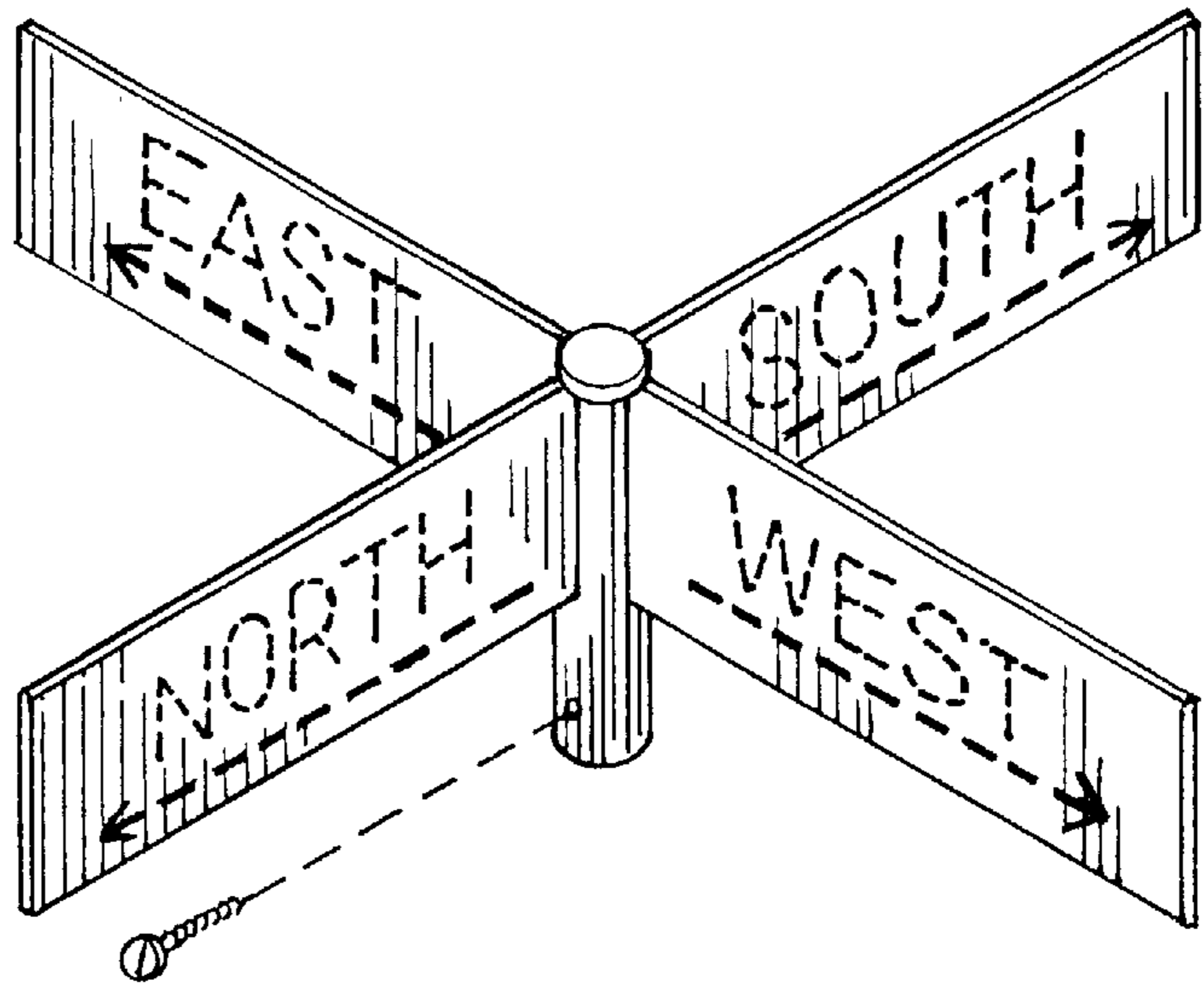


FIG. 2

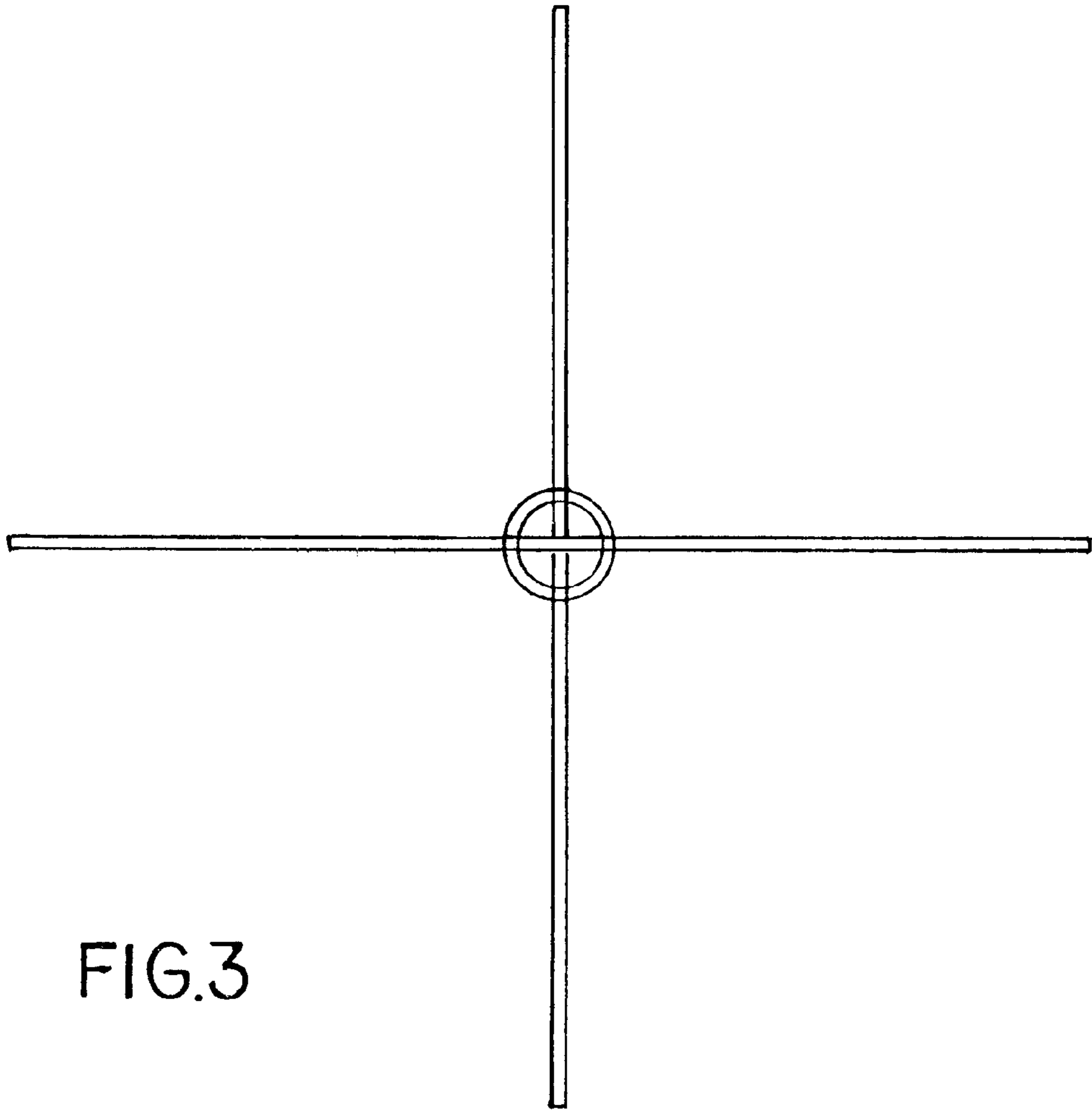


FIG.3