



US00D468768S

(12) **United States Design Patent**
Yamada et al.

(10) **Patent No.:** **US D468,768 S**

(45) **Date of Patent:** **** Jan. 14, 2003**

(54) **INK CARTRIDGE**

D447,513 S * 9/2001 Miyazawa et al. D18/56

(75) Inventors: **Manabu Yamada, Suwa (JP);**
Chiyoshige Nakazawa, Suwa (JP)

* cited by examiner

(73) Assignee: **Seiko Epson Corporation, Tokyo (JP)**

Primary Examiner—Cathy Anne MacCormac
(74) *Attorney, Agent, or Firm*—Oliff & Berridge, PLC

(**) Term: **14 Years**

(57) **CLAIM**

(21) Appl. No.: **29/155,967**

The ornamental design for an ink cartridge, as shown and described.

(22) Filed: **Feb. 22, 2002**

DESCRIPTION

Related U.S. Application Data

(62) Division of application No. 29/141,589, filed on May 10, 2001.

FIG. 1 is a top view of an ink cartridge;
FIG. 2 is a bottom view thereof;
FIG. 3 is a left-side view thereof;
FIG. 4 is a right-side view thereof;
FIG. 5 is a front view thereof;
FIG. 6 is a rear view thereof;
FIG. 7 is a cross-sectional view thereof, taken along the lines 7—7 of FIG. 2;
FIG. 8 is a cross-sectional view thereof, taken along the lines 8—8 of FIG. 4;
FIG. 9 is a cross-sectional view thereof, taken along the lines 9—9 of FIG. 4;
FIG. 10 is a cross-sectional view thereof, taken along the lines 10—10 of FIG. 4;
FIG. 11 is a cross-sectional view thereof, taken along the lines 11—11 of FIG. 4;
FIG. 12 is a perspective view thereof; and,
FIG. 13 is another perspective view thereof.

(30) **Foreign Application Priority Data**

Nov. 10, 2000 (JP) 2000-032240
Nov. 10, 2000 (JP) 2000-032244
Nov. 10, 2000 (JP) 2000-032245

(51) **LOC (7) Cl.** **18-02**

(52) **U.S. Cl.** **D18/56; 347/86**

(58) **Field of Search** **D18/56, 44; 347/86,**
347/87

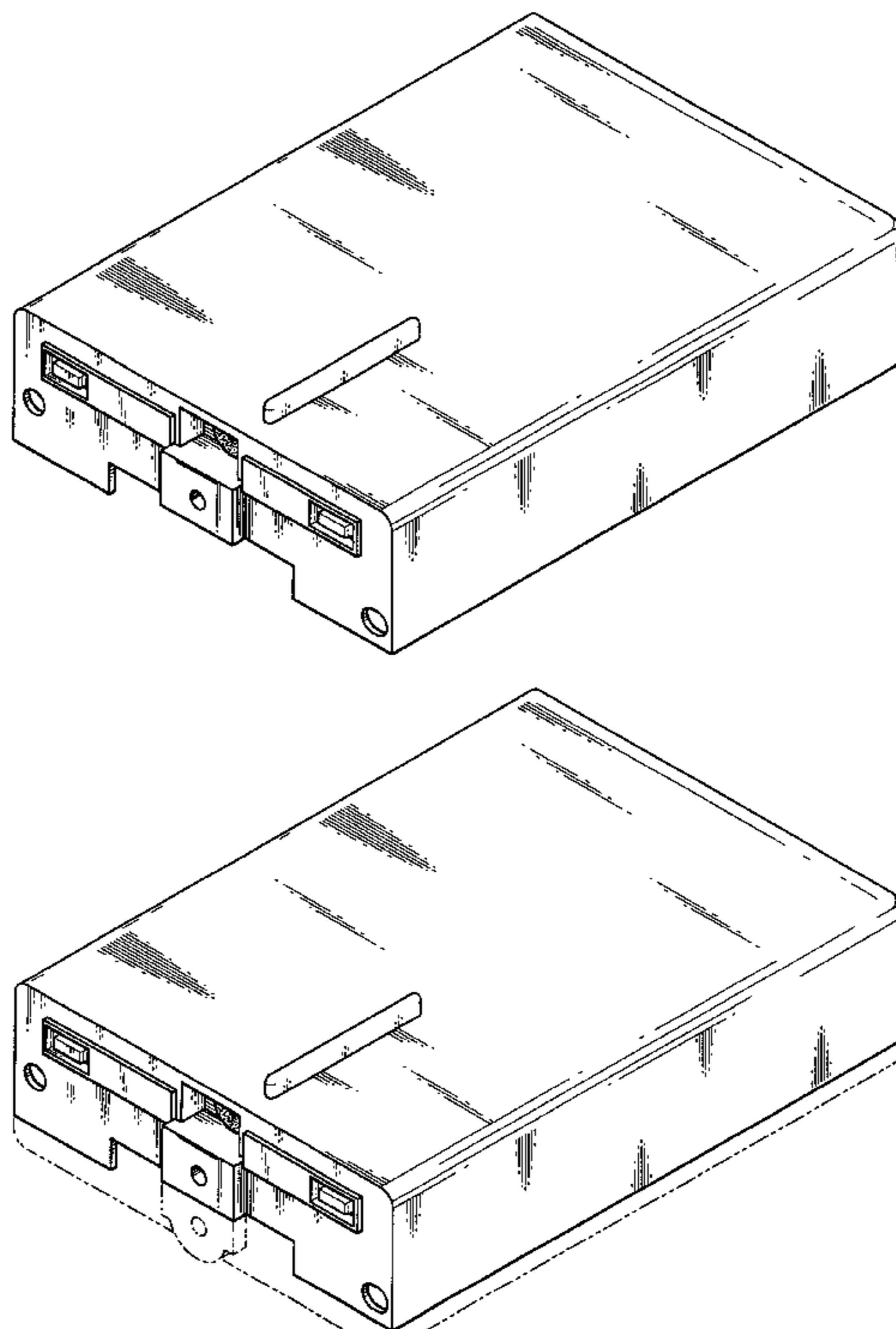
(56) **References Cited**

U.S. PATENT DOCUMENTS

D321,900 S * 11/1991 Kumagai D18/56
D334,403 S * 3/1993 Kawakami D18/56
D419,592 S * 1/2000 Nakazawa et al. D18/56
6,053,606 A * 4/2000 Yamaguchi et al. 347/86
D447,169 S * 8/2001 Okubo et al. D18/56

The broken line showing is for illustrative purposes only and form no part of the claimed design.

1 Claim, 7 Drawing Sheets



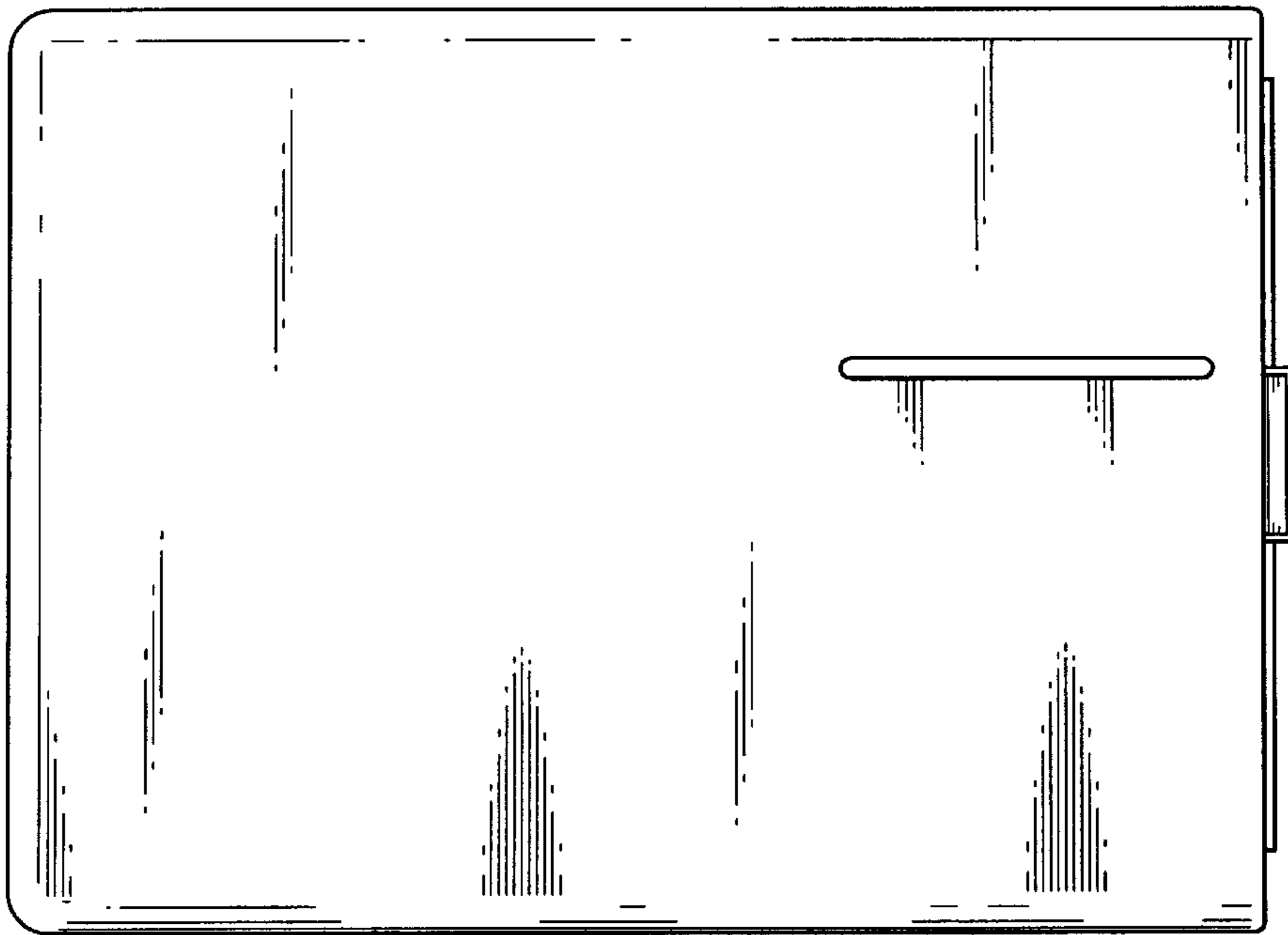


Fig. 1

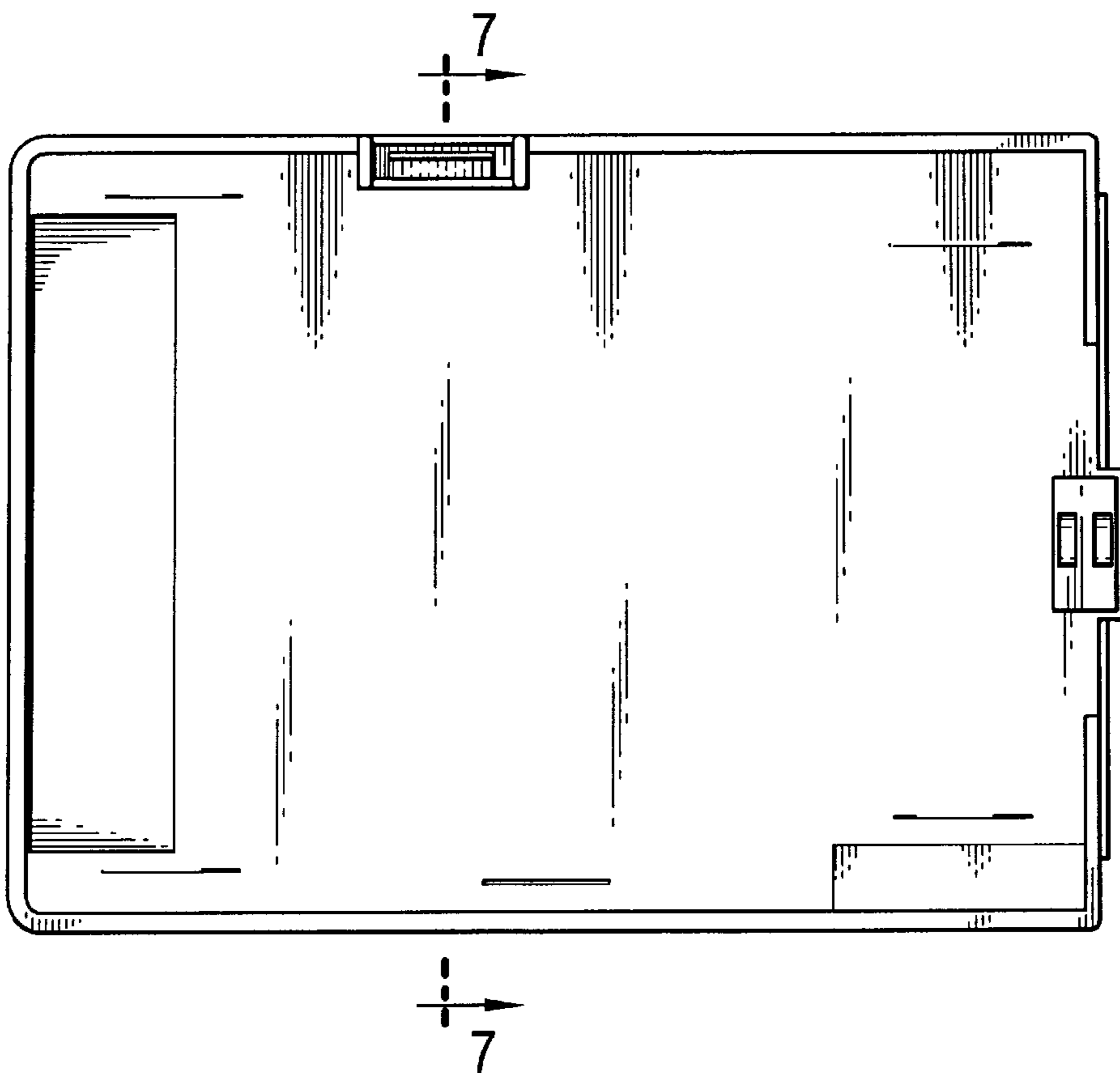


Fig. 2

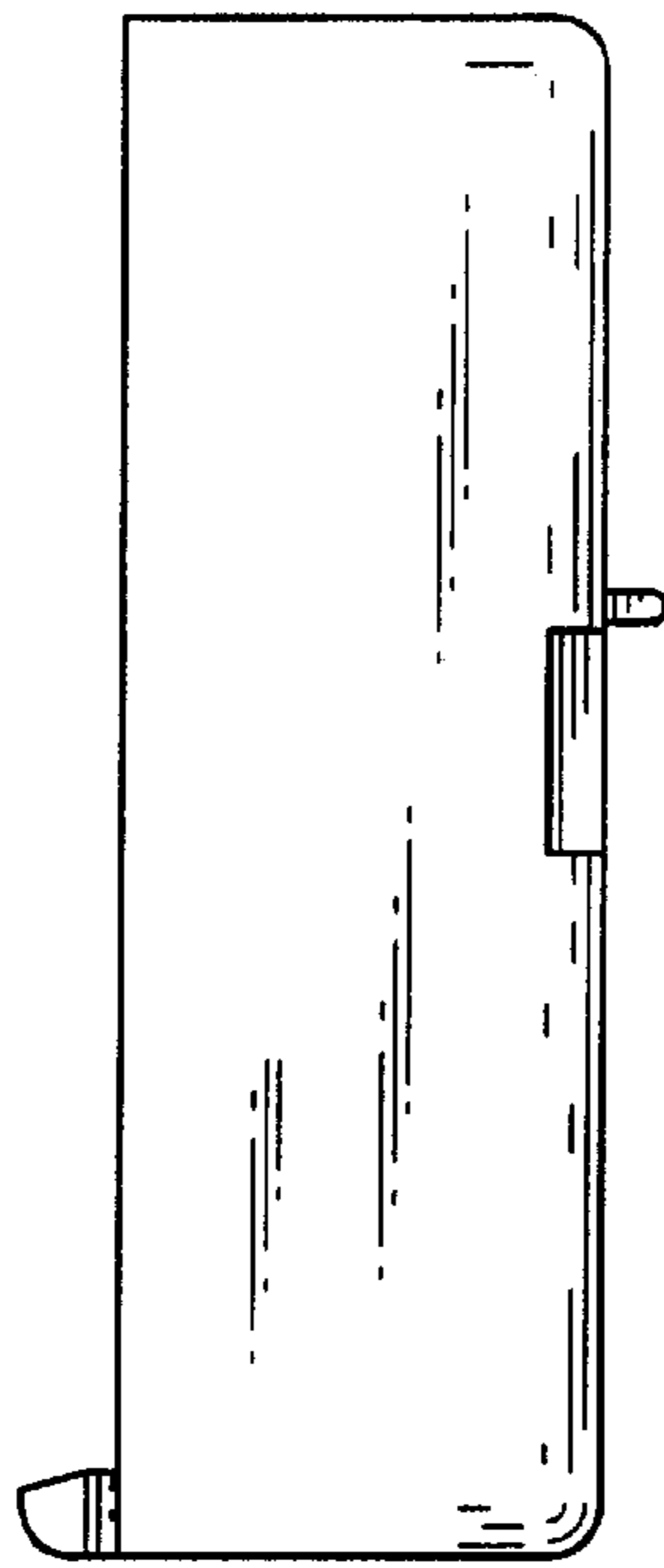


Fig. 3

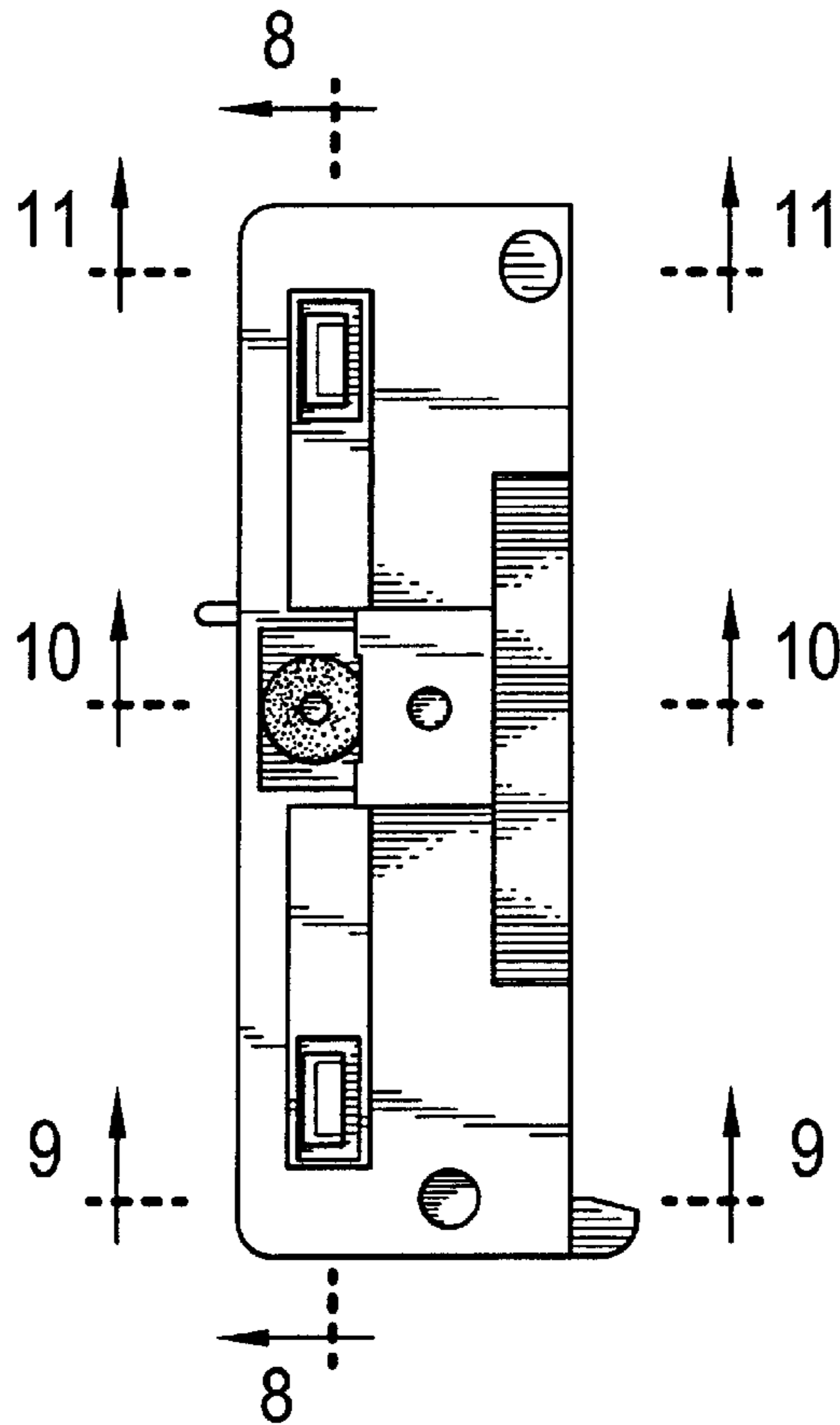


Fig. 4

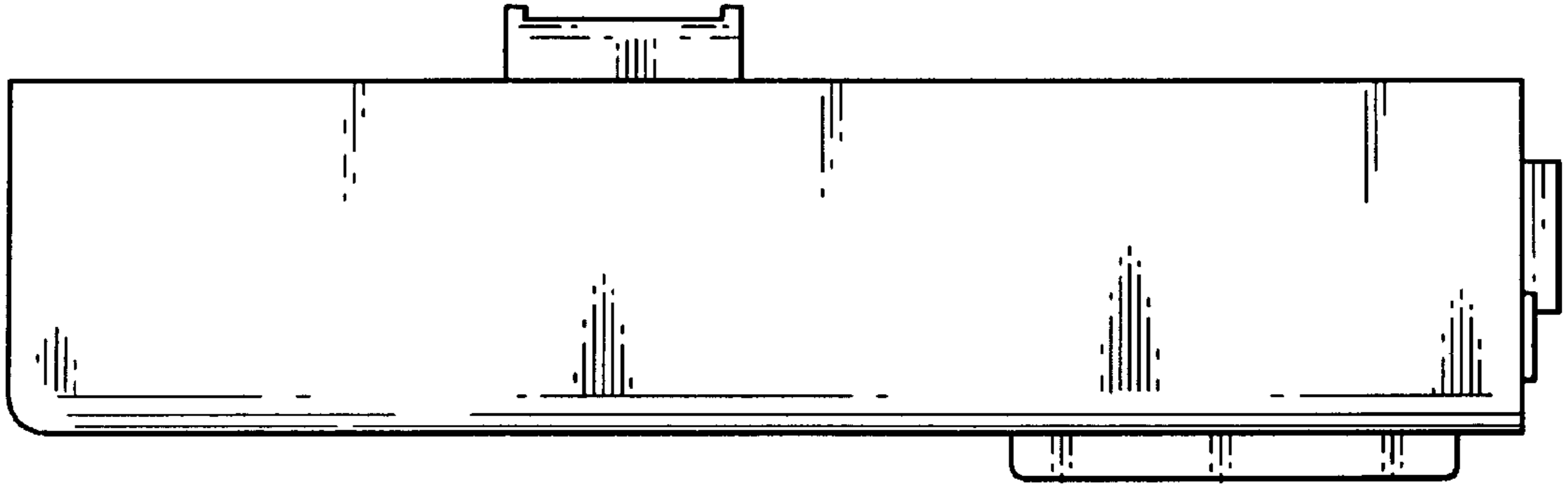


Fig. 5

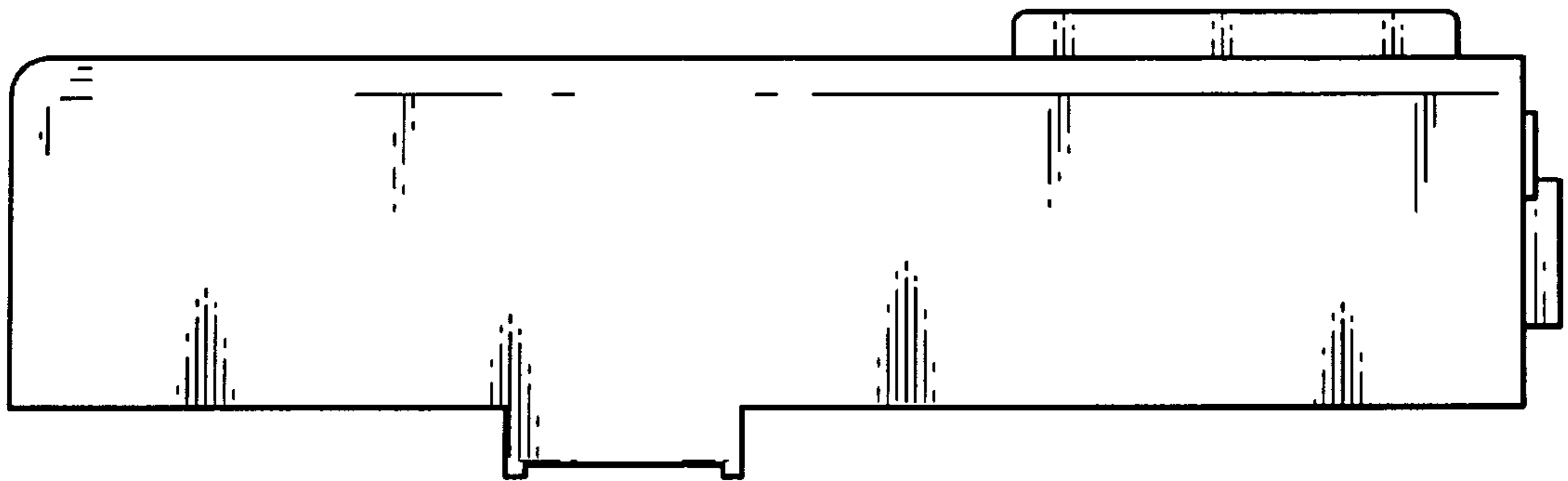


Fig.6

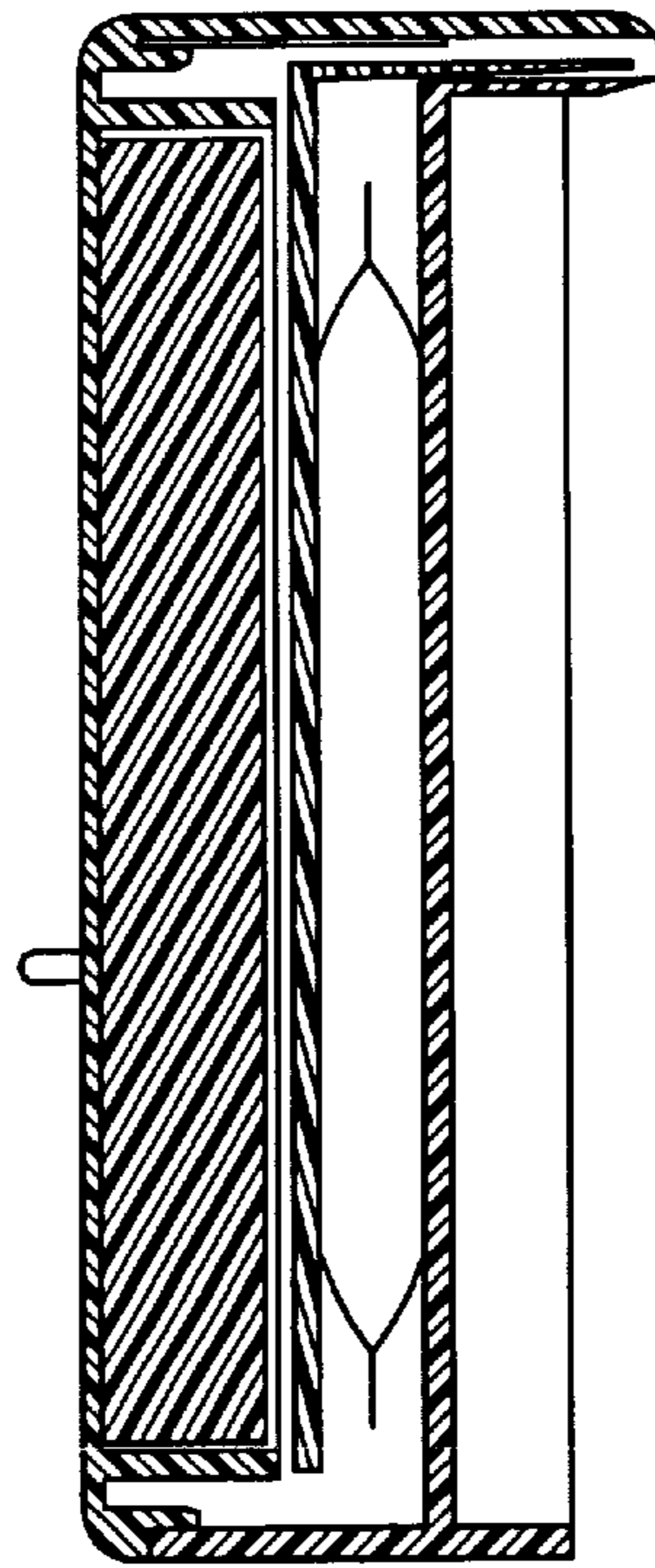


Fig. 7

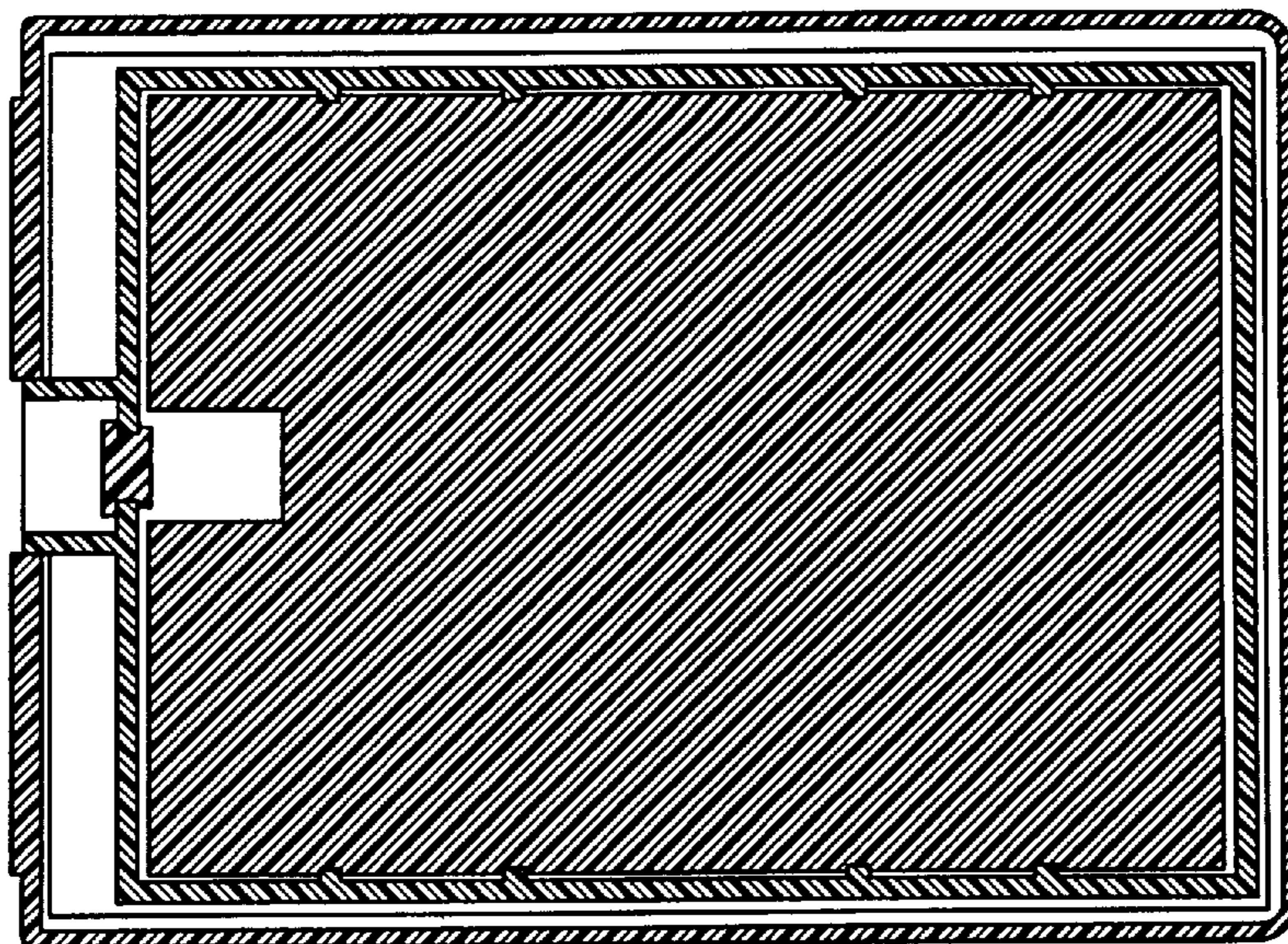


Fig. 8

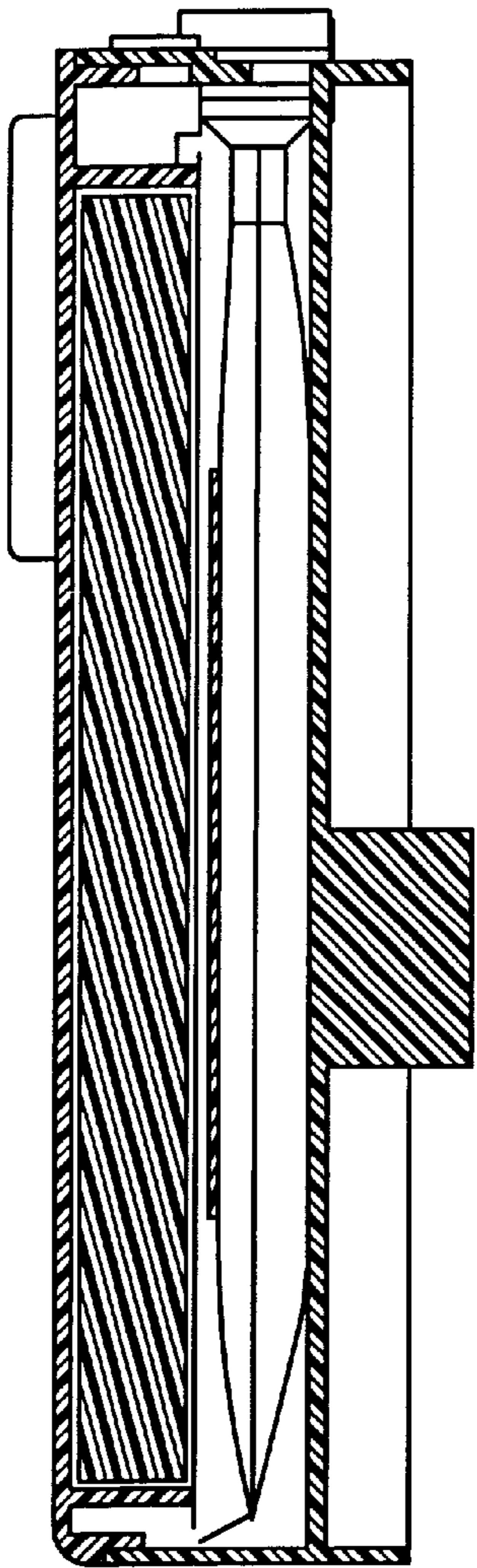


Fig. 9

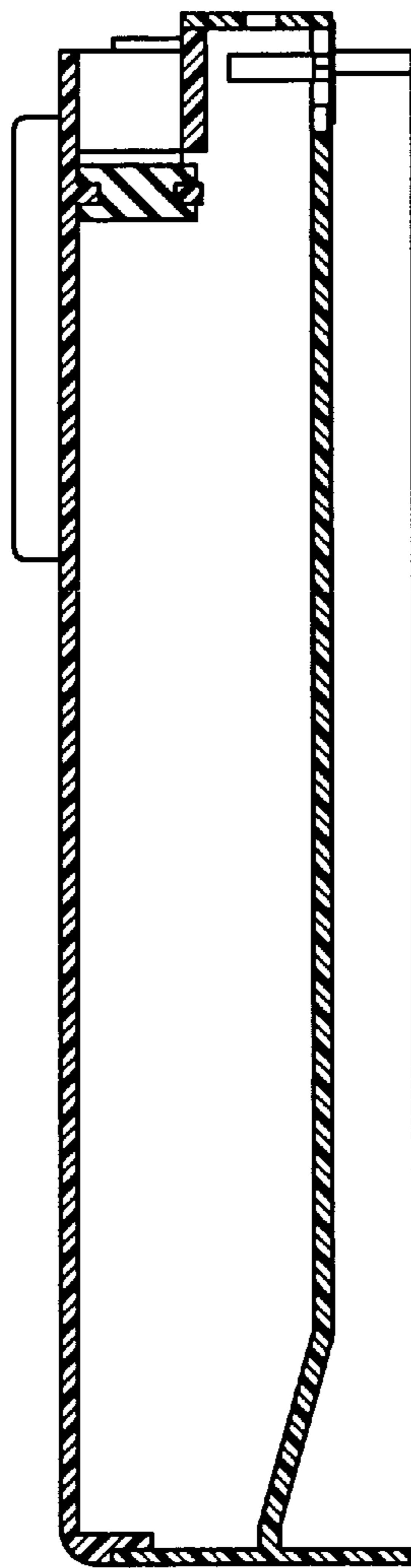


Fig. 10

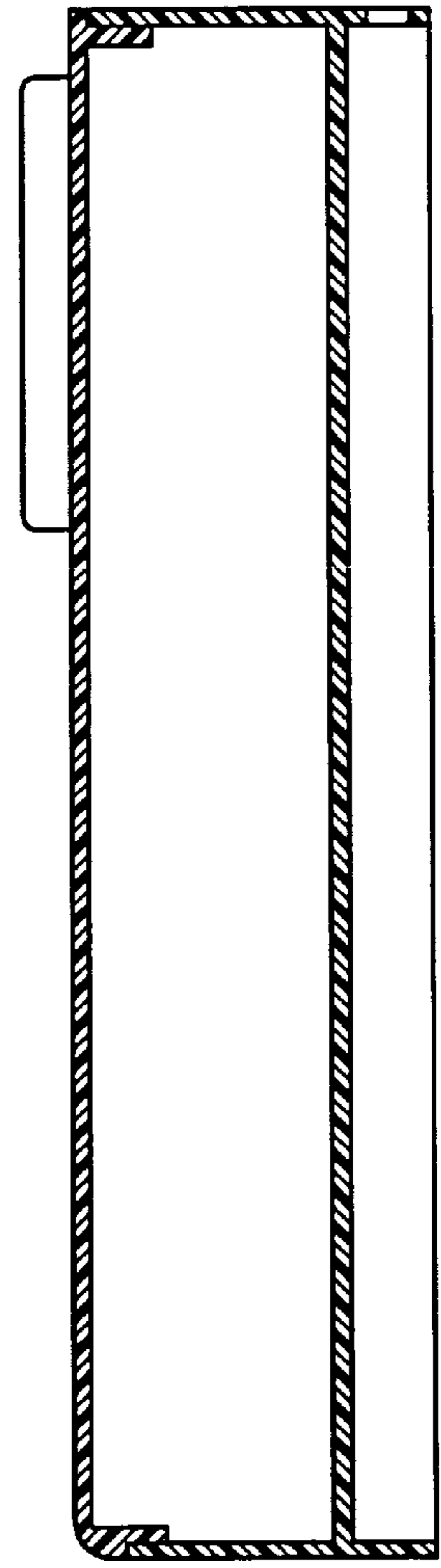


Fig. 11

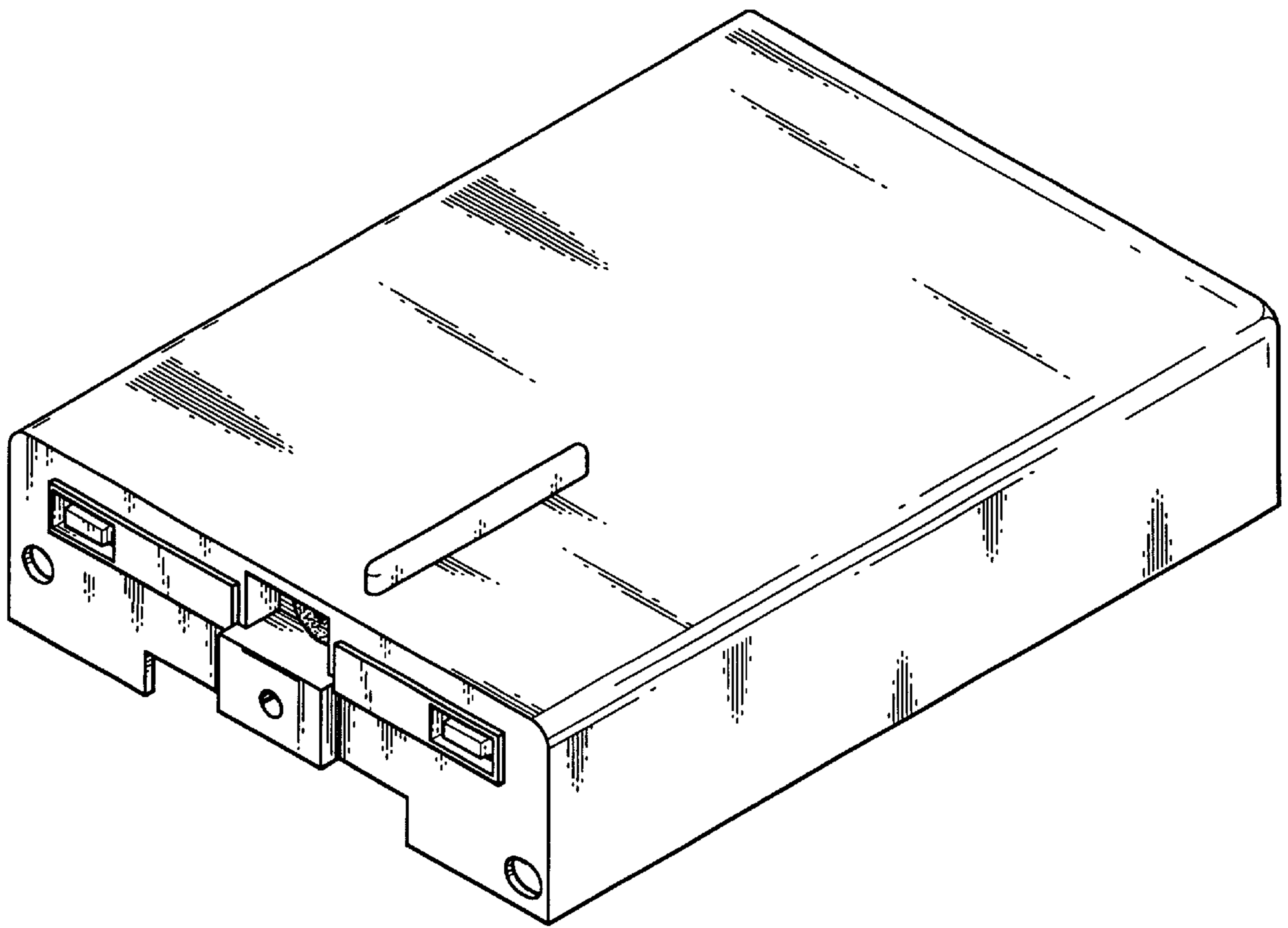


Fig. 12

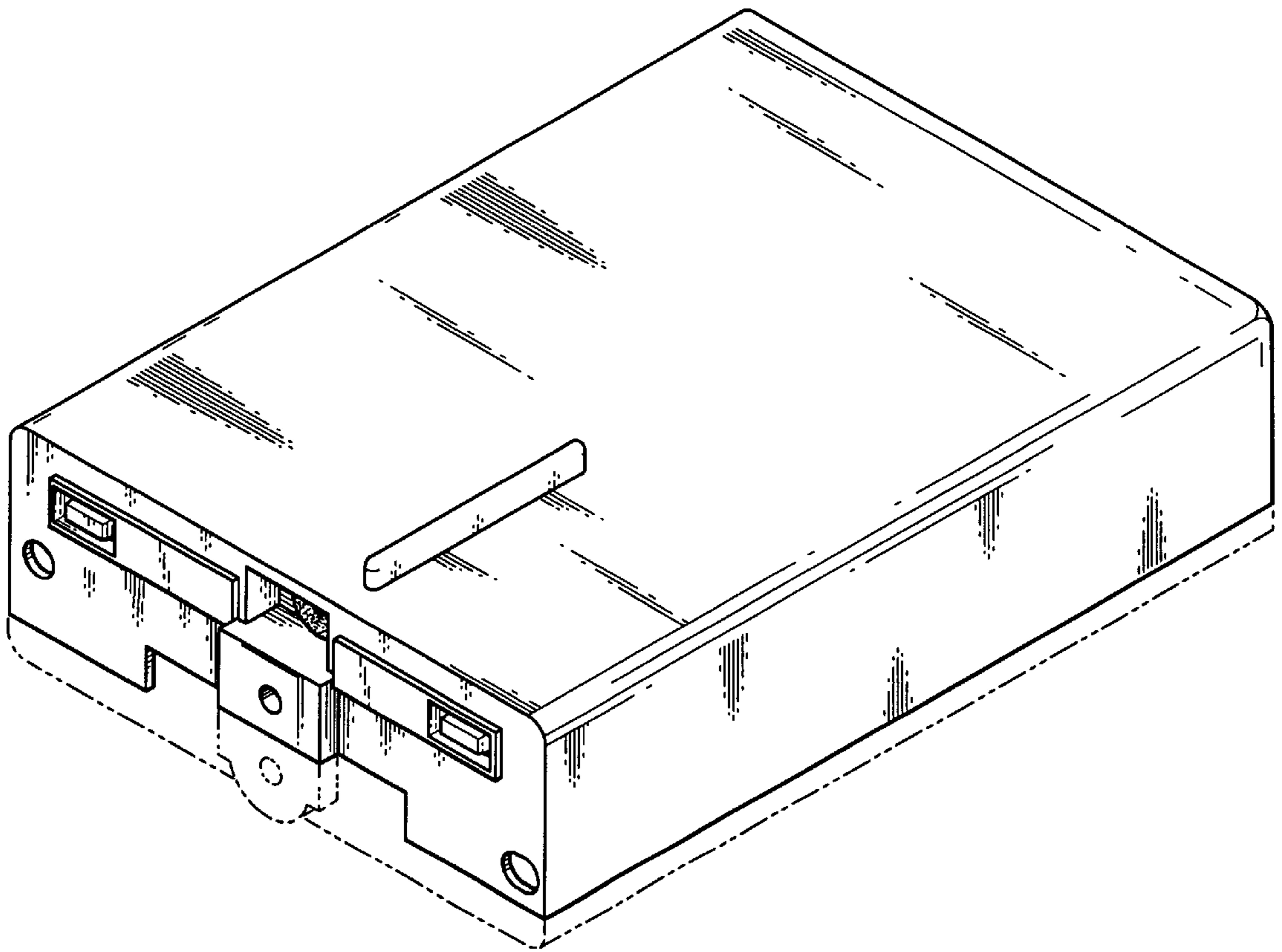


Fig. 13