



US00D468765S

(12) **United States Design Patent**
Kobayashi et al.

(10) **Patent No.:** **US D468,765 S**

(45) **Date of Patent:** **** Jan. 14, 2003**

(54) **PRINTER**

(75) Inventors: **Makoto Kobayashi**, Nagano-ken (JP);
Takeo Kishida, Nagano-ken (JP);
Hiroto Miyauchi, Nagano-ken (JP)

(73) Assignee: **Seiko Epson Corporation**, Tokyo (JP)

(**) Term: **14 Years**

(21) Appl. No.: **29/151,443**

(22) Filed: **Dec. 10, 2001**

(30) **Foreign Application Priority Data**

Jun. 11, 2001 (JP) 2001-016912

(51) **LOC (7) Cl.** **14-02**

(52) **U.S. Cl.** **D18/55**

(58) **Field of Search** D18/50, 54-55,
D18/54.1, 36-38; 400/613, 613.1-613.4,
691-694, 690.1-690.4

(56) **References Cited**

U.S. PATENT DOCUMENTS

- D390,258 S * 2/1998 Kawahara et al. D18/55
- D400,918 S * 11/1998 Kobayashi et al. D18/55
- D430,597 S * 9/2000 Ishiguro D18/55

- D441,012 S * 4/2001 Kawahara et al. D18/55
- D441,395 S * 5/2001 Kawahara et al. D18/55
- D441,783 S * 5/2001 Kawahara et al. D18/55
- D442,218 S * 5/2001 Kobayashi et al. D18/55
- D445,823 S * 7/2001 Kawahara et al. D18/50
- D448,043 S * 9/2001 Kawahara et al. D18/50
- D453,352 S * 2/2002 Yamano et al. D18/55

* cited by examiner

Primary Examiner—Cathy Anne MacCormac

(74) *Attorney, Agent, or Firm*—Sughrue Mion, PLLC

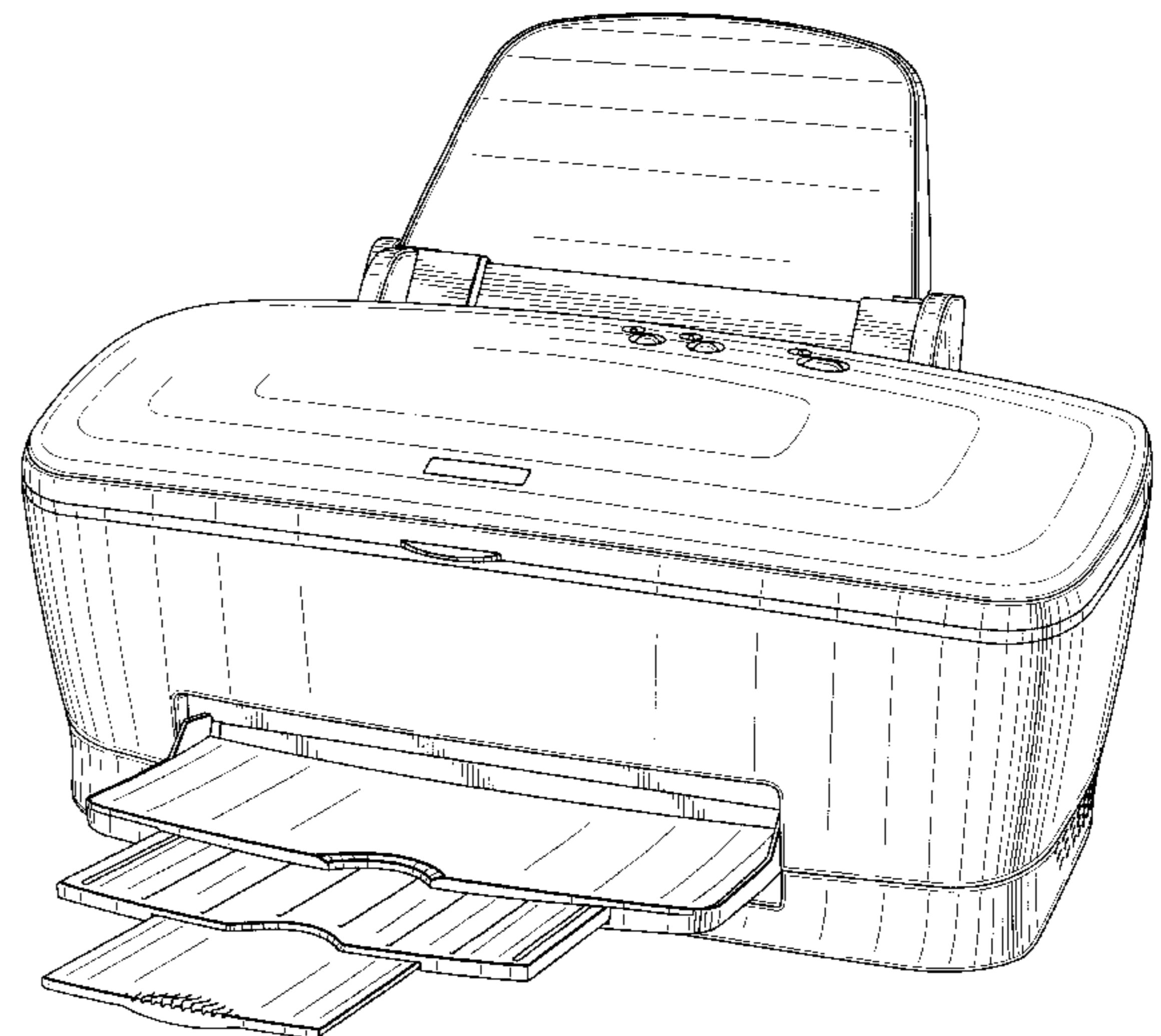
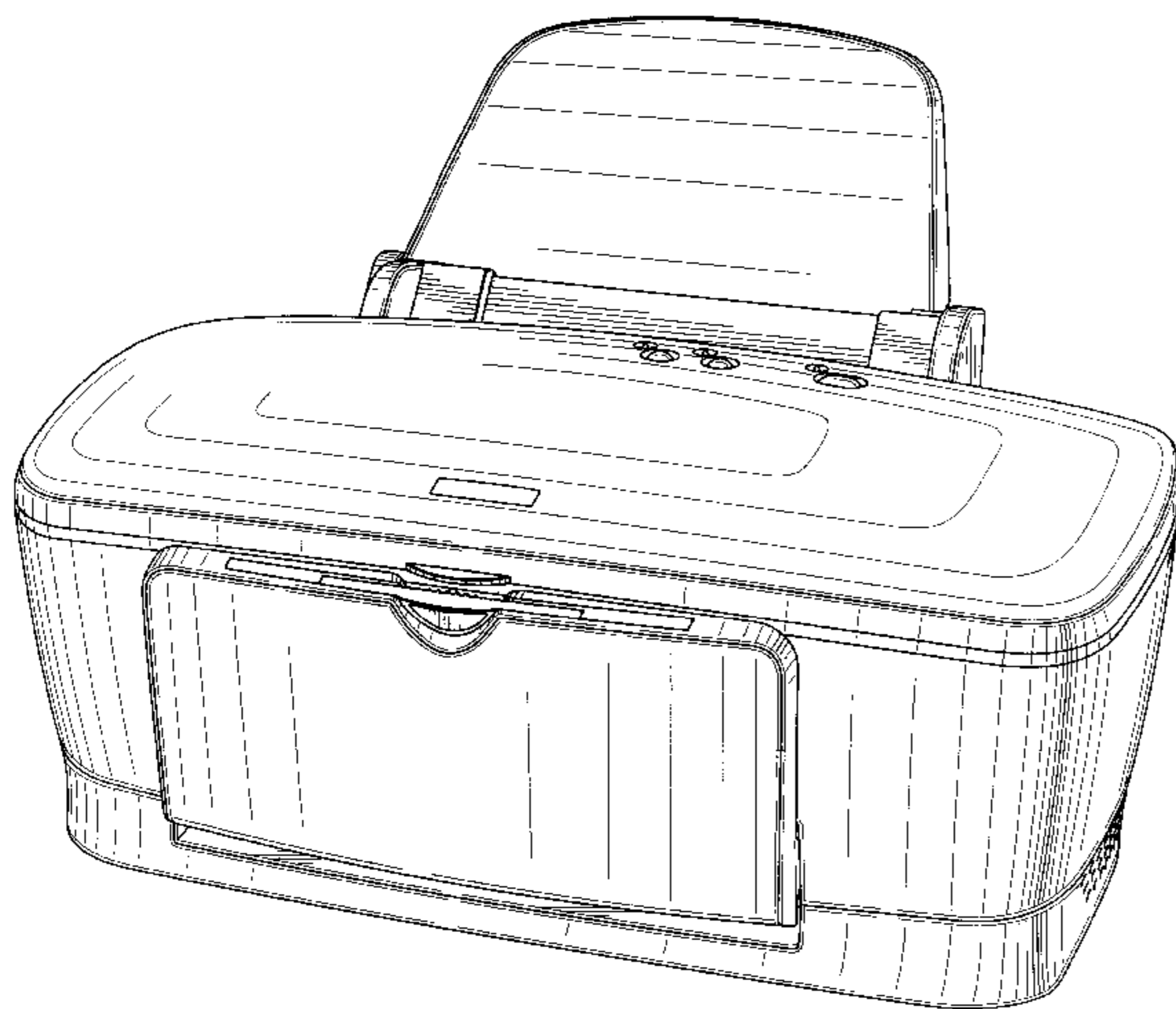
(57) **CLAIM**

The ornamental design for a printer, as shown and described.

DESCRIPTION

FIG. 1 is a perspective view of the top, front and right side of a printer showing our new design;
 FIG. 2 is a front elevational view thereof;
 FIG. 3 is a rear elevational view thereof;
 FIG. 4 is a left side elevational view thereof;
 FIG. 5 is a right side elevational view thereof;
 FIG. 6 is a top plan view thereof;
 FIG. 7 is a bottom plan view thereof; and,
 FIG. 8 is a perspective view similar to FIG. 1 with the lower tray extended.

1 Claim, 7 Drawing Sheets



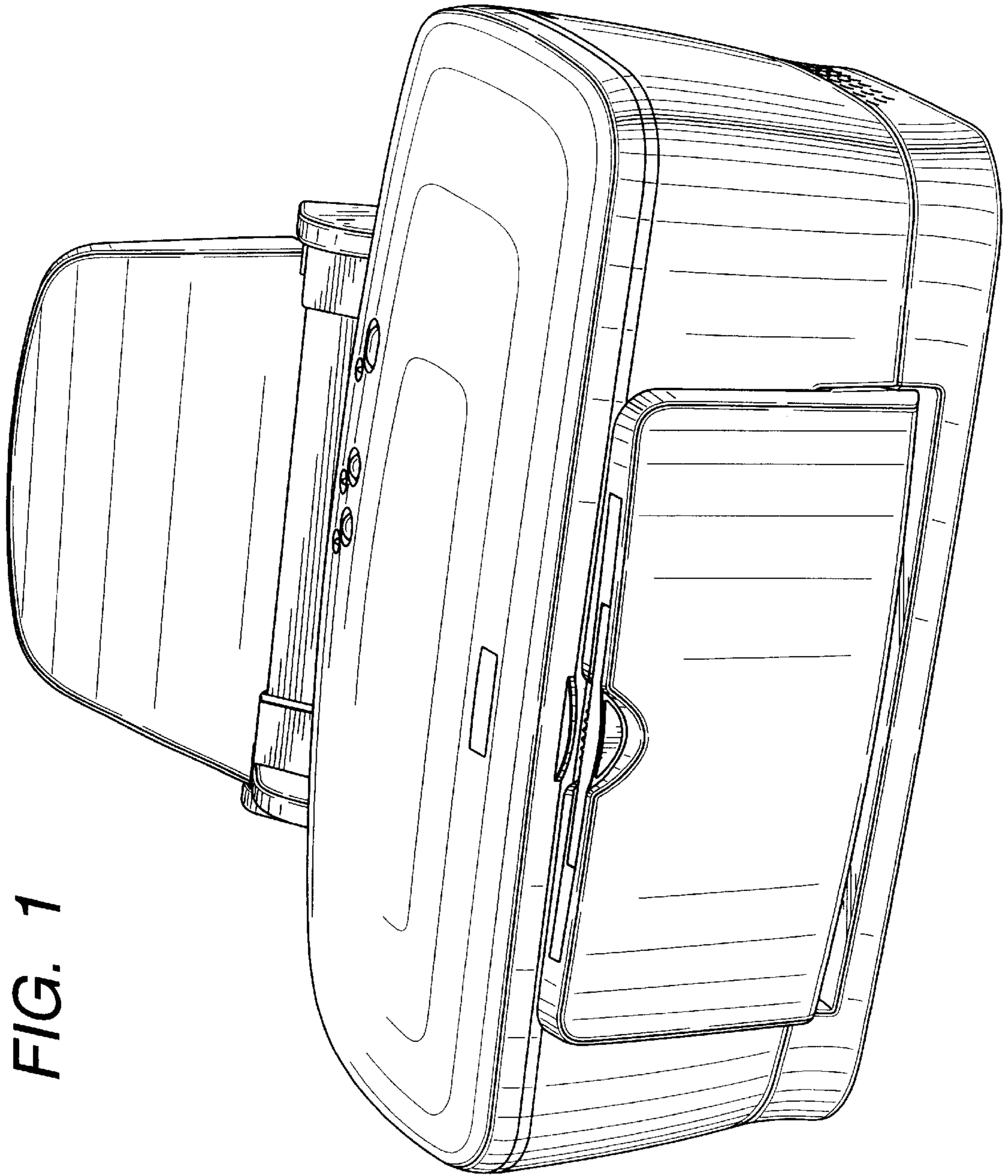


FIG. 1

FIG. 2

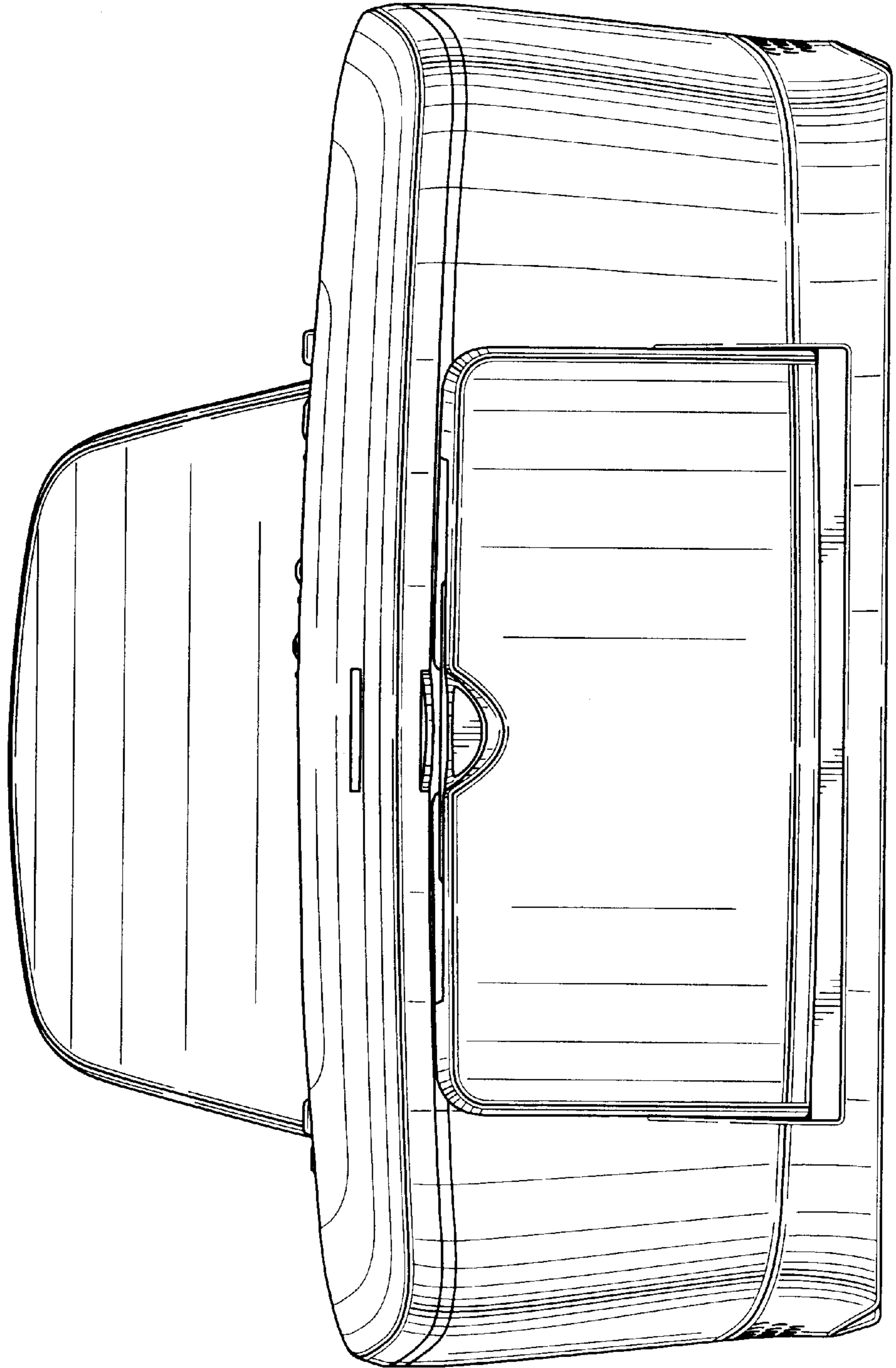


FIG. 3

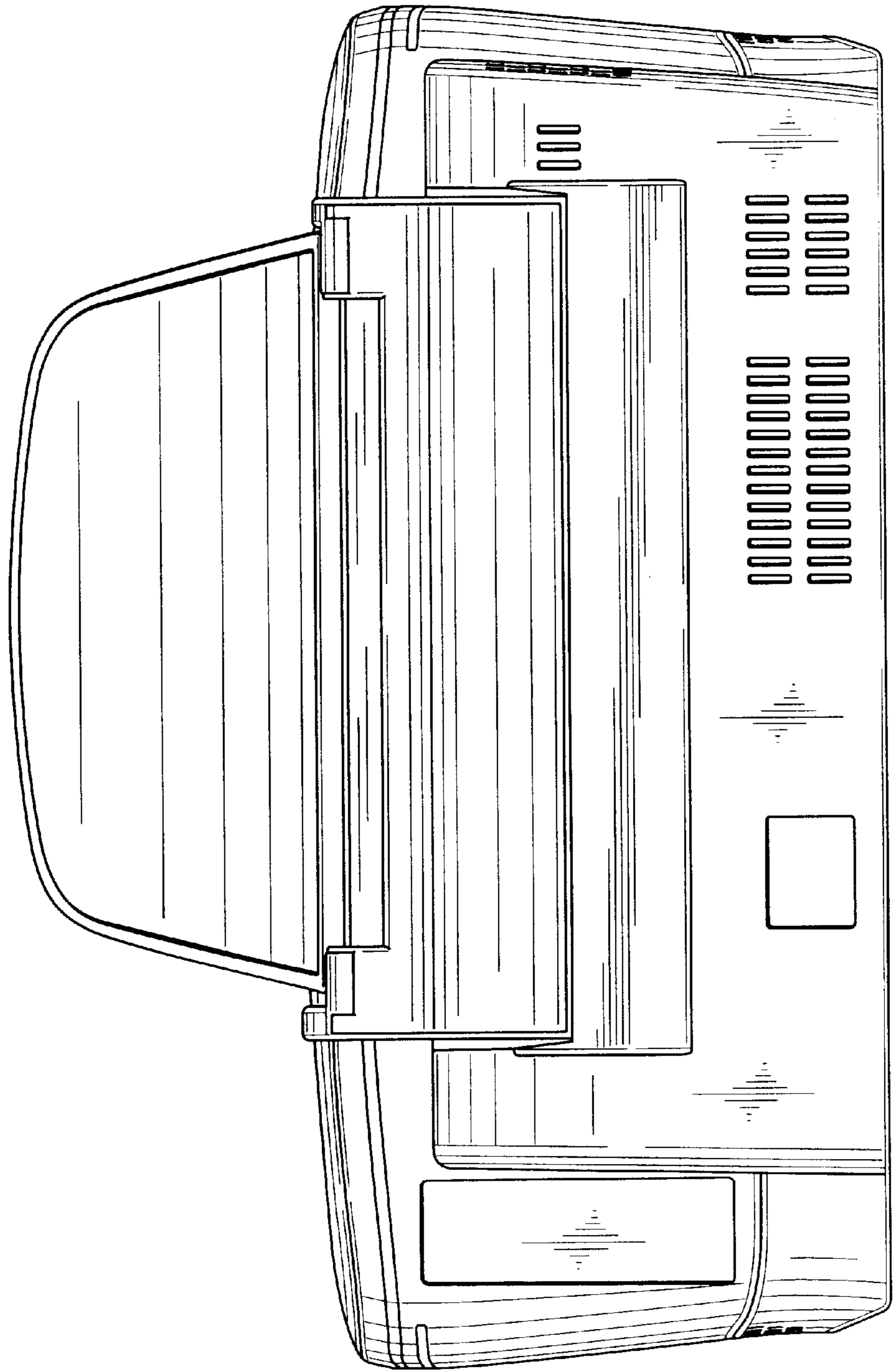


FIG. 4

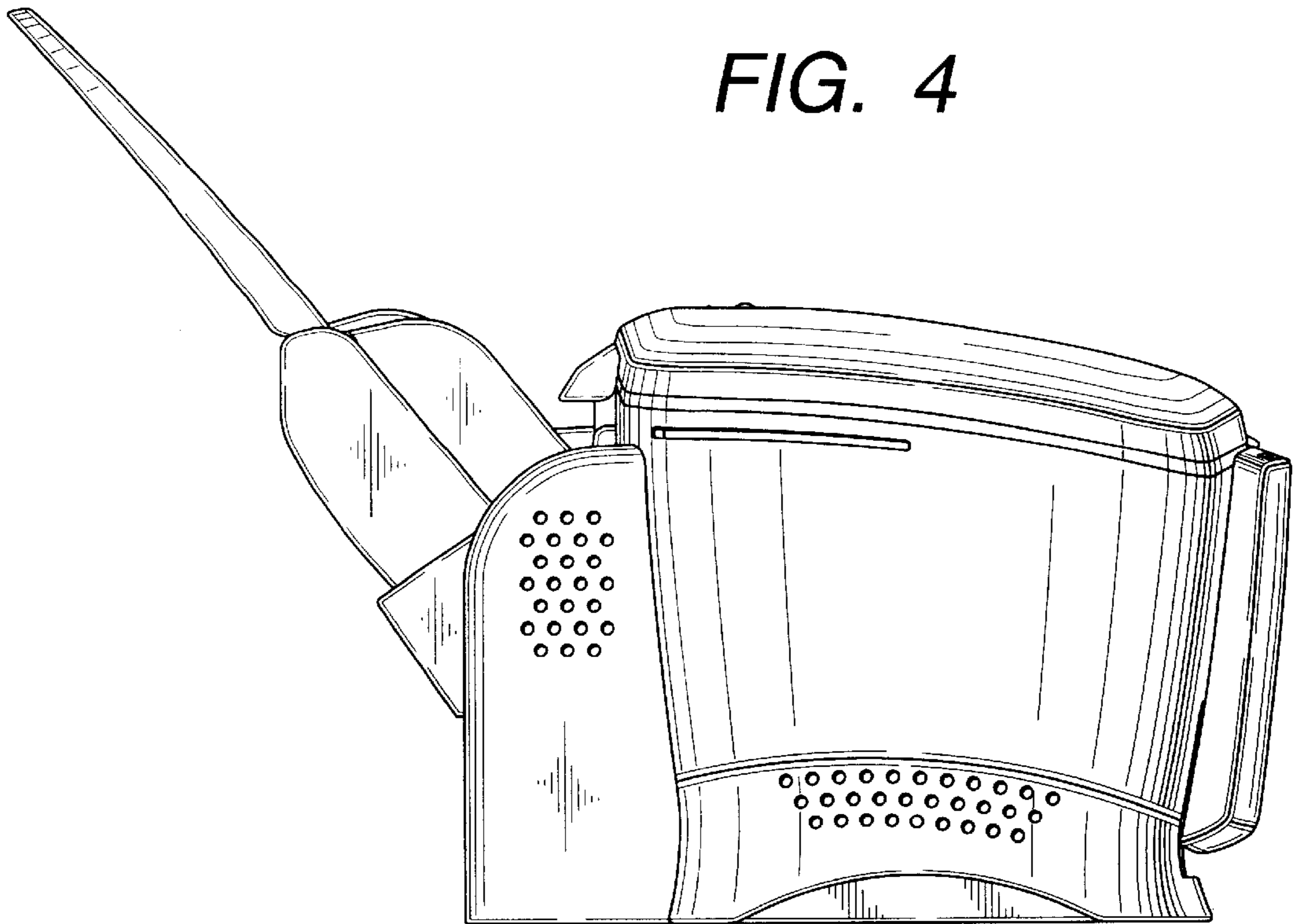
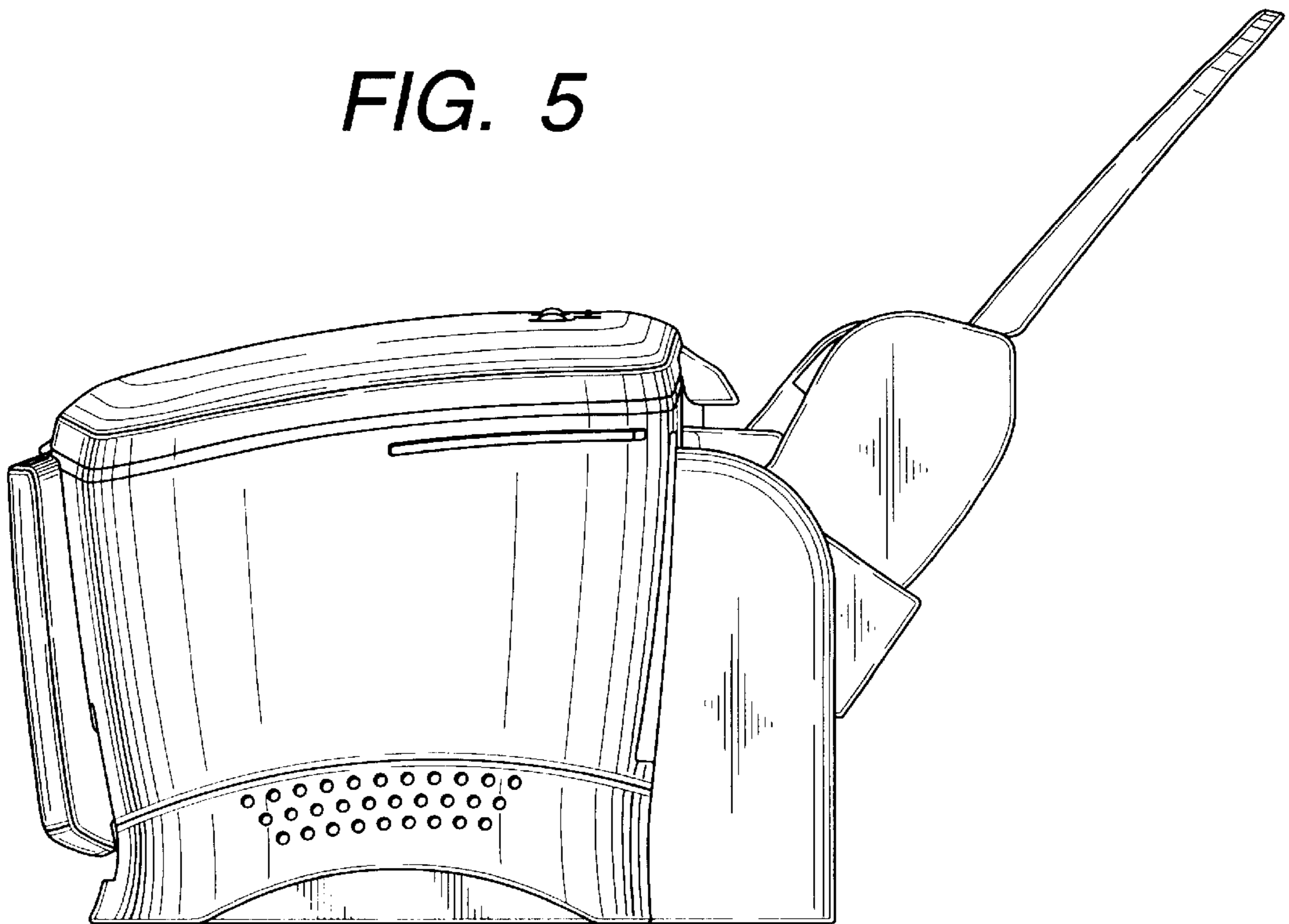


FIG. 5



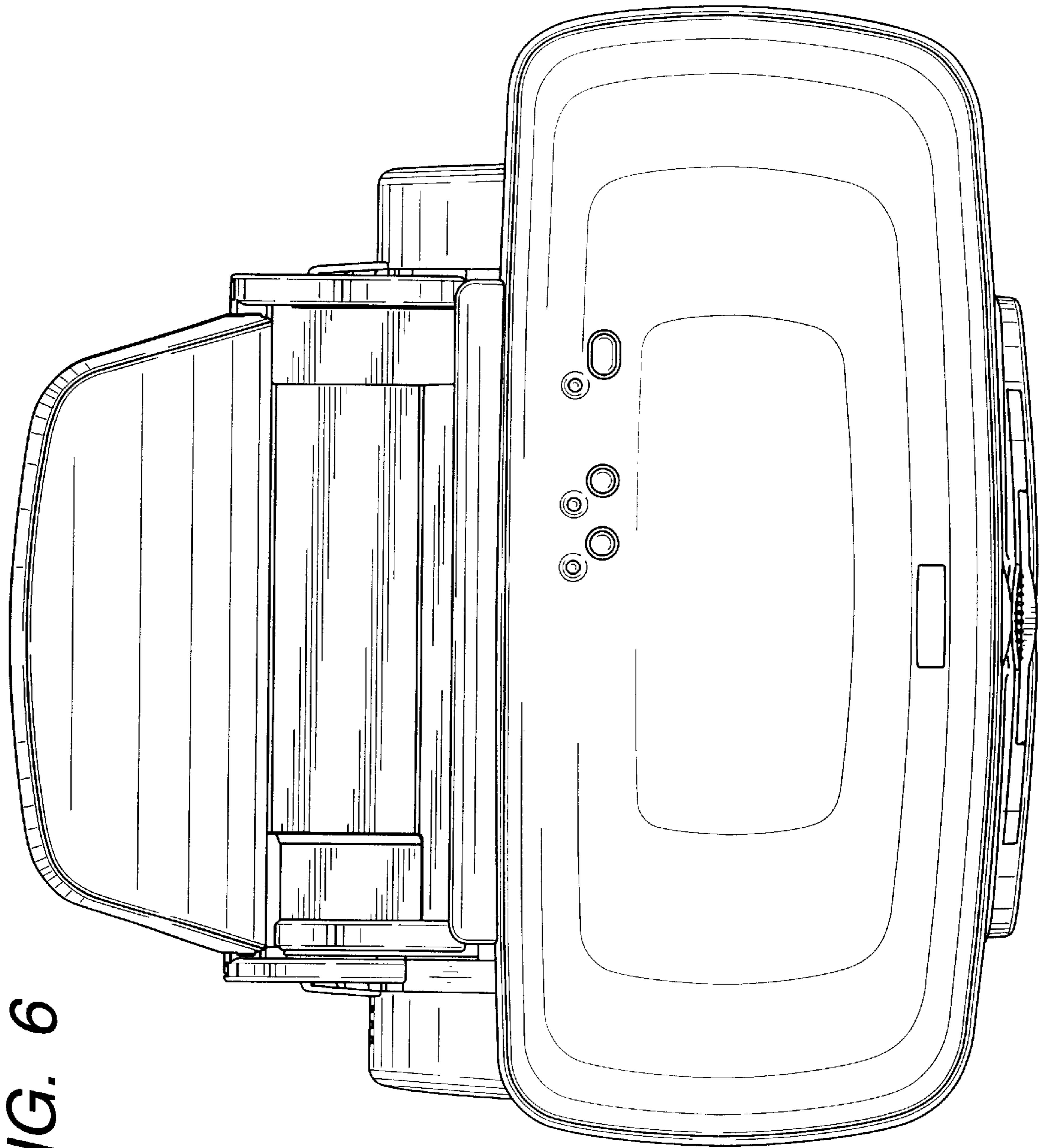
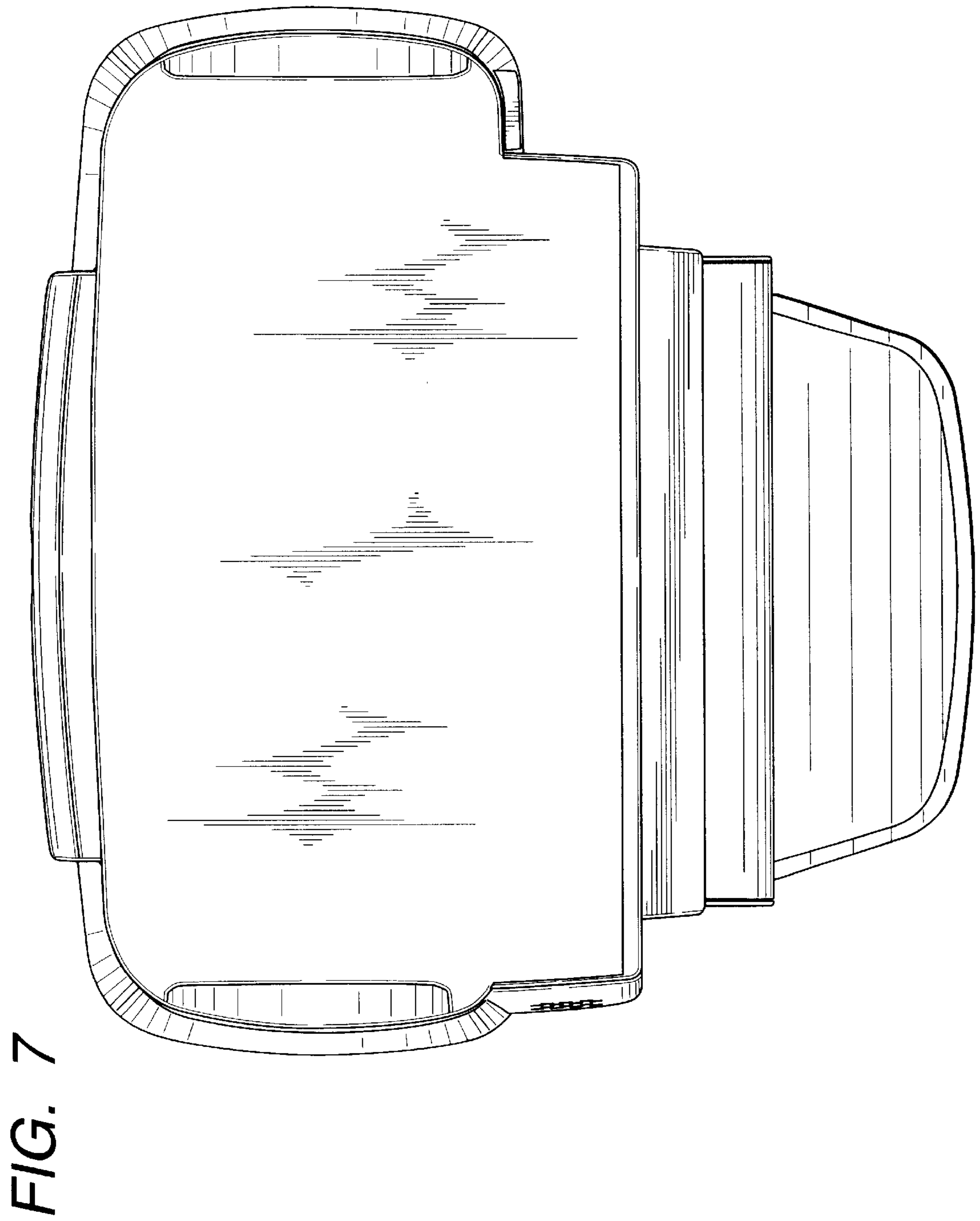


FIG. 6



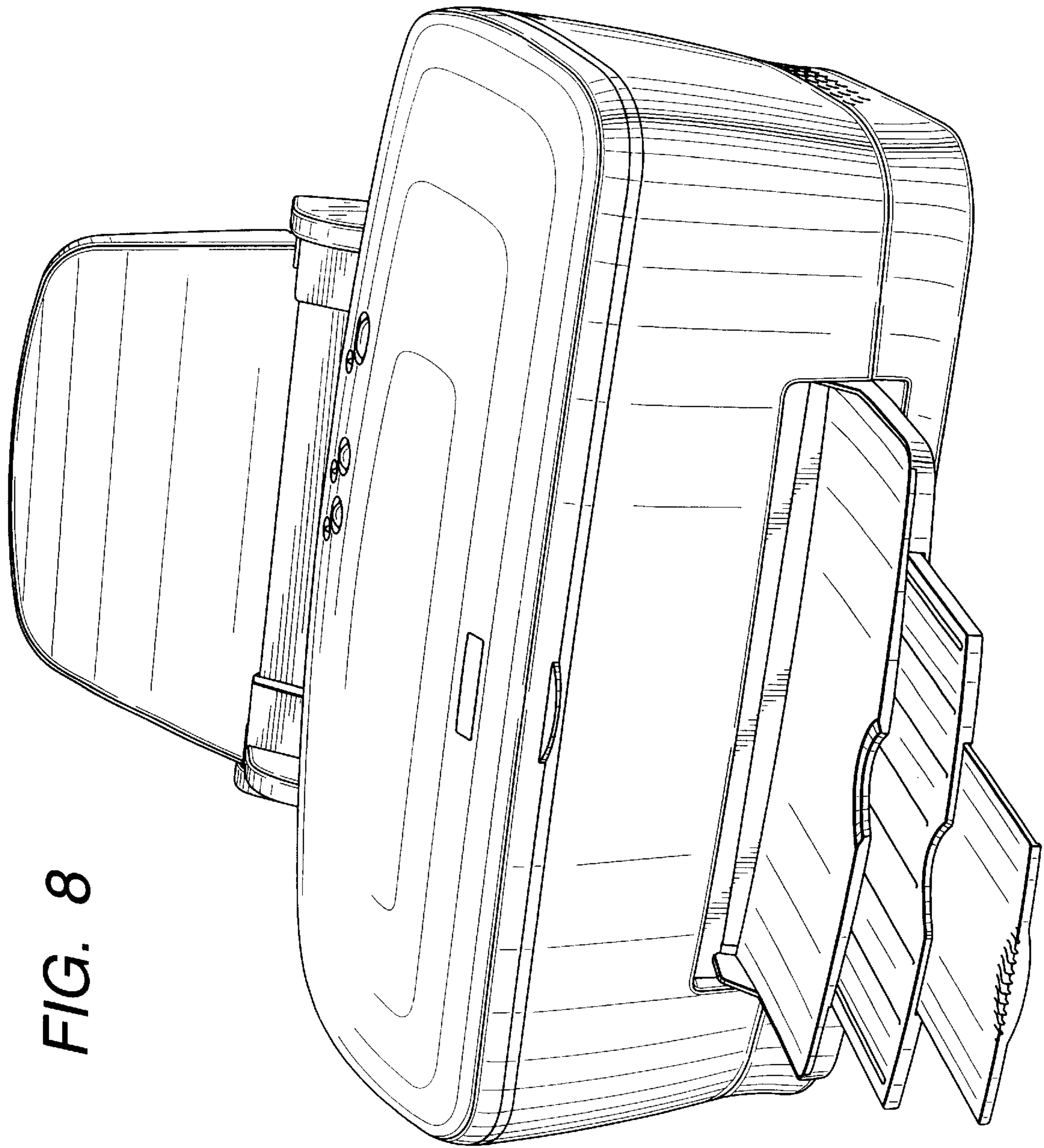


FIG. 8